



US00D743274S

(12) **United States Design Patent**
Oleksik et al.

(10) **Patent No.:** **US D743,274 S**

(45) **Date of Patent:** **** Nov. 17, 2015**

- (54) **BOX WITH COAL BRIQUETTE EARRINGS**
- (71) Applicants: **Josette Oleksik**, Merritt Island, FL (US);
Jerome Oleksik, Merritt Island, FL (US)
- (72) Inventors: **Josette Oleksik**, Merritt Island, FL (US);
Jerome Oleksik, Merritt Island, FL (US)

(**) Term: **14 Years**

(21) Appl. No.: **29/488,614**

(22) Filed: **Apr. 22, 2014**

(51) **LOC (10) Cl.** **09-01**

(52) **U.S. Cl.**
USPC **D9/721**

(58) **Field of Classification Search**
USPC D9/414, 418, 420, 432, 433, 715, 721;
206/6.1, 45.25, 216, 223, 525, 525.1,
206/738, 739, 747, 769, 770, 775, 776,
206/779; 220/260
CPC B65D 2501/24019; B65D 2501/24152;
B65D 77/24; B65D 2577/205; B65D 81/36;
B65D 2543/00296; B65D 5/4208; B65D
2501/24082; B65D 2501/24216; B65D 5/38;
B65D 81/3453; B65D 1/36; B65D
2543/00194; B65D 77/2024; B65D 25/22;
B65D 5/48024; B65D 1/22; B65D 65/38;
B65D 25/00; B65D 43/162; B65D 75/322;
B65D 1/0223; B65D 2501/2428; B65D
2501/24687

See application file for complete search history.

(56) **References Cited**

U.S. PATENT DOCUMENTS

D24,313 S 5/1895 Taggart
1,121,062 A * 12/1914 Bauer 225/19
D213,770 S * 4/1969 Isaacson D9/418
D214,025 S * 5/1969 Vaudaux D9/420

3,483,954 A * 12/1969 Michalski 206/223
D217,436 S * 5/1970 Aylott D9/721
D248,380 S 7/1978 Burchett
D257,023 S 9/1980 Barr
D262,272 S 12/1981 Block
D265,641 S 8/1982 Bongiorno
D265,811 S 8/1982 Barr
D336,621 S 6/1993 Vogelsang
D346,326 S * 4/1994 Price et al. D9/720
5,860,550 A * 1/1999 Miller et al. 220/4.23
6,234,308 B1 * 5/2001 Saffron et al. 206/316.2
D509,132 S * 9/2005 Au D3/294
D560,492 S * 1/2008 Markowicz et al. D9/721
D570,114 S * 6/2008 Netz D3/294
2007/0151878 A1 * 7/2007 Au 206/301
2008/0009356 A1 1/2008 Nichols
2009/0032412 A1 * 2/2009 Ireland et al. 206/216
2014/0353177 A1 * 12/2014 Senate 206/6.1

FOREIGN PATENT DOCUMENTS

CN 101385961 3/2009

* cited by examiner

Primary Examiner — Derrick Holland

Assistant Examiner — Lauren Calve

(57) **CLAIM**

We claim the ornamental design for a box with coal briquette earrings, as shown and described.

DESCRIPTION

FIG. 1 is an exploded front view of a box with coal briquette earrings.

FIG. 2 is a rear view thereof.

FIG. 3 is a left side view thereof.

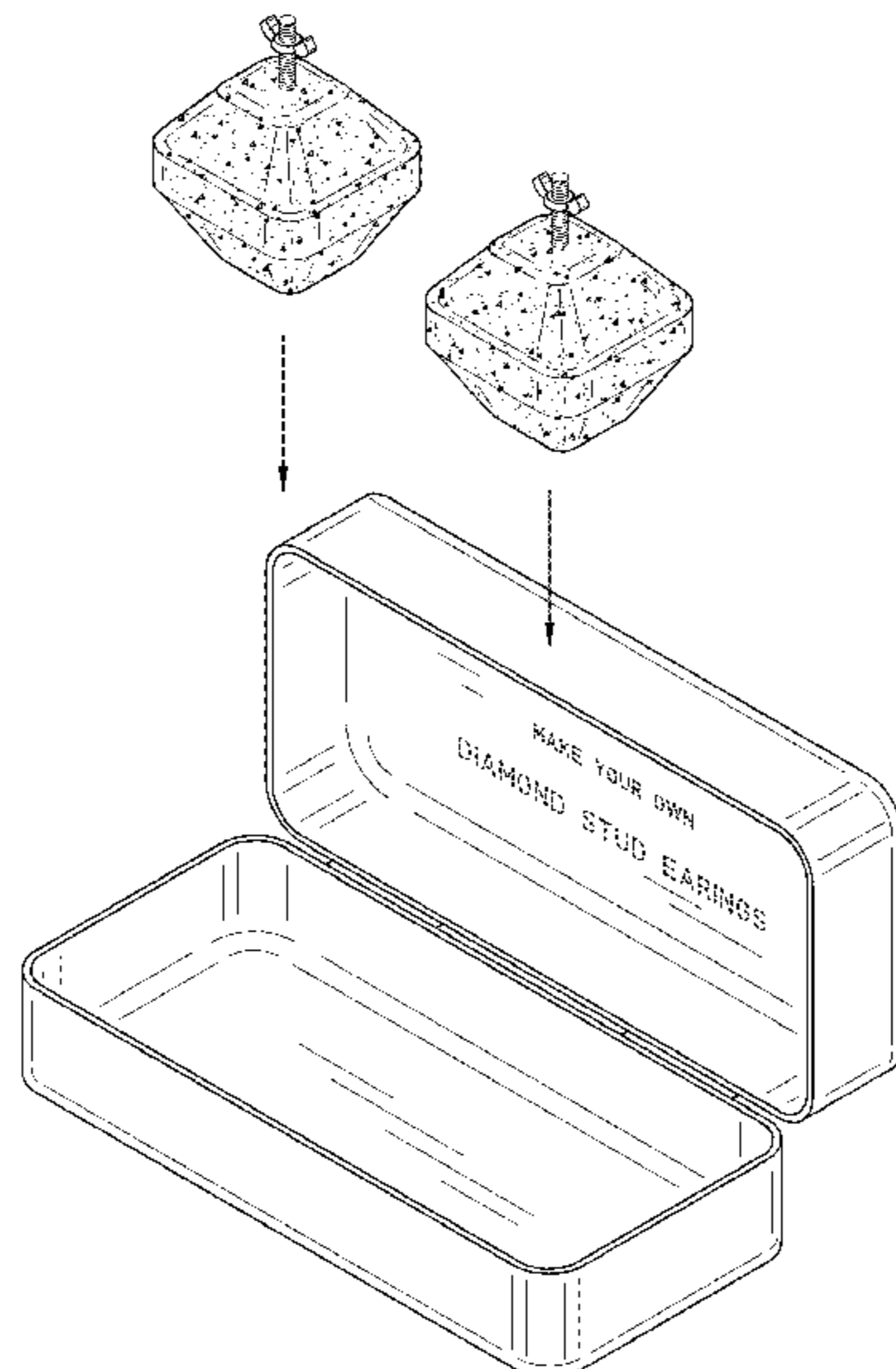
FIG. 4 is a top view thereof.

FIG. 5 is a bottom view thereof; and,

FIG. 6 is a perspective view thereof.

The broken lines shown represent unclaimed subject matter and form no part of the claimed design.

1 Claim, 6 Drawing Sheets



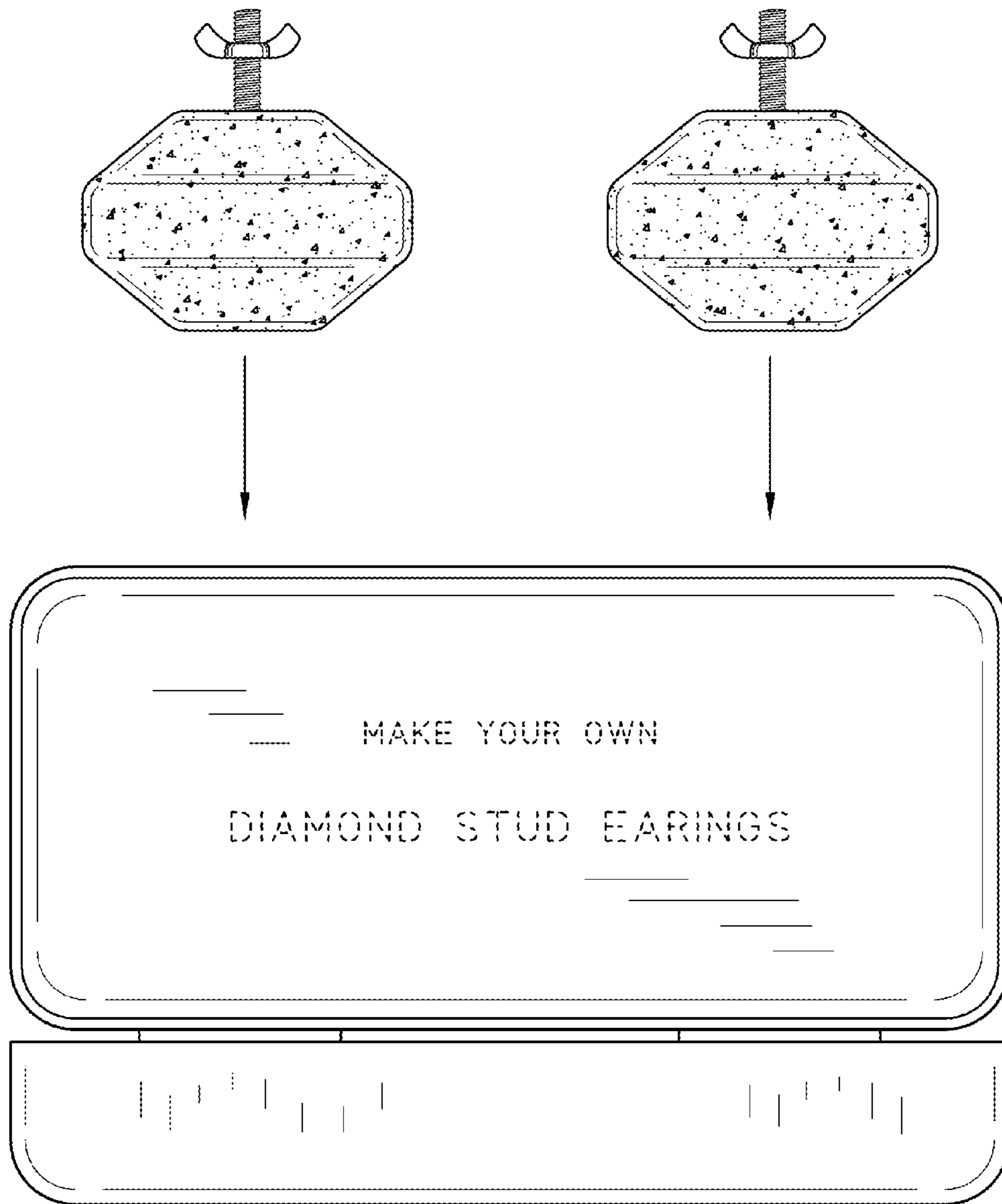


FIG. 1

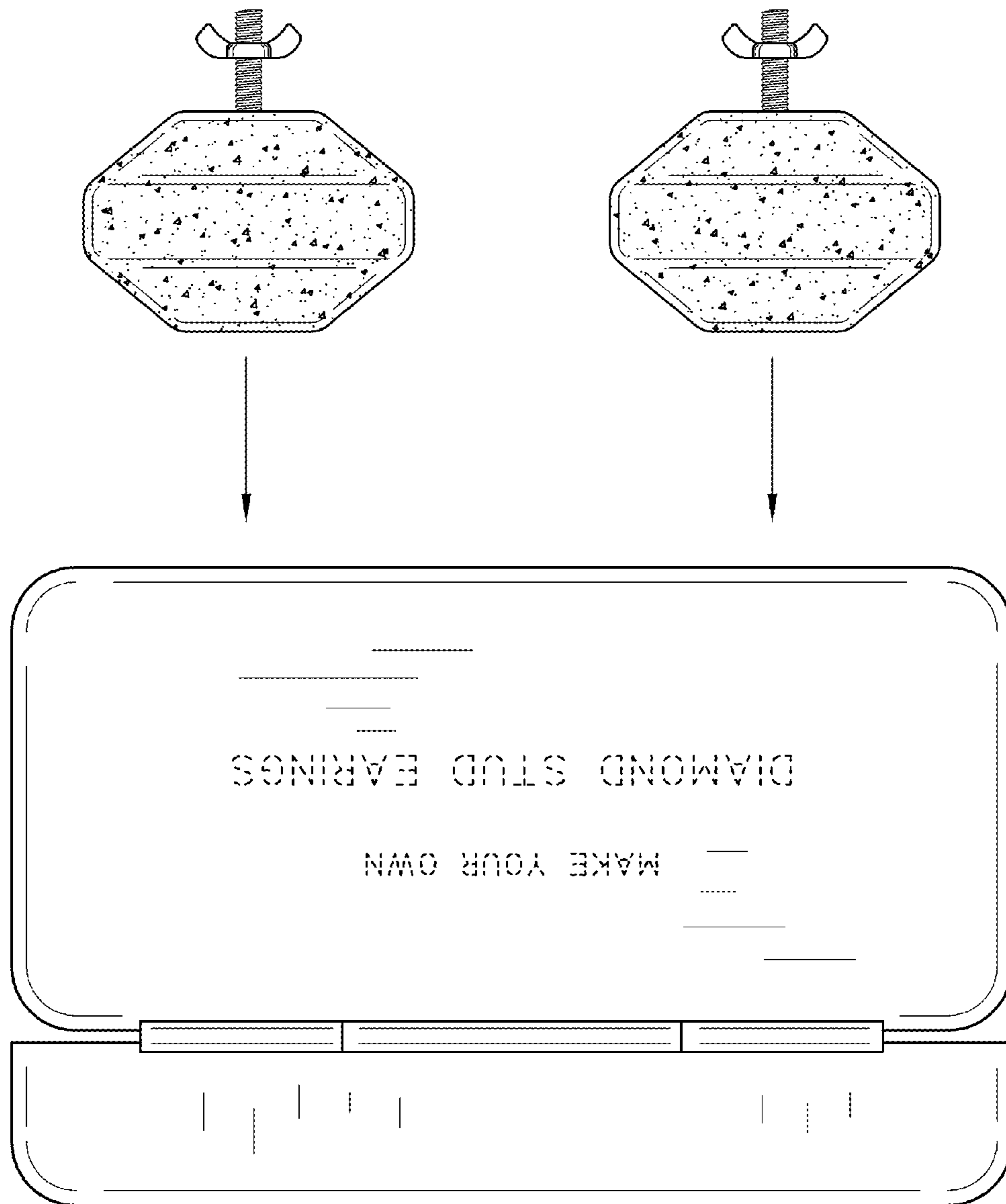


FIG. 2

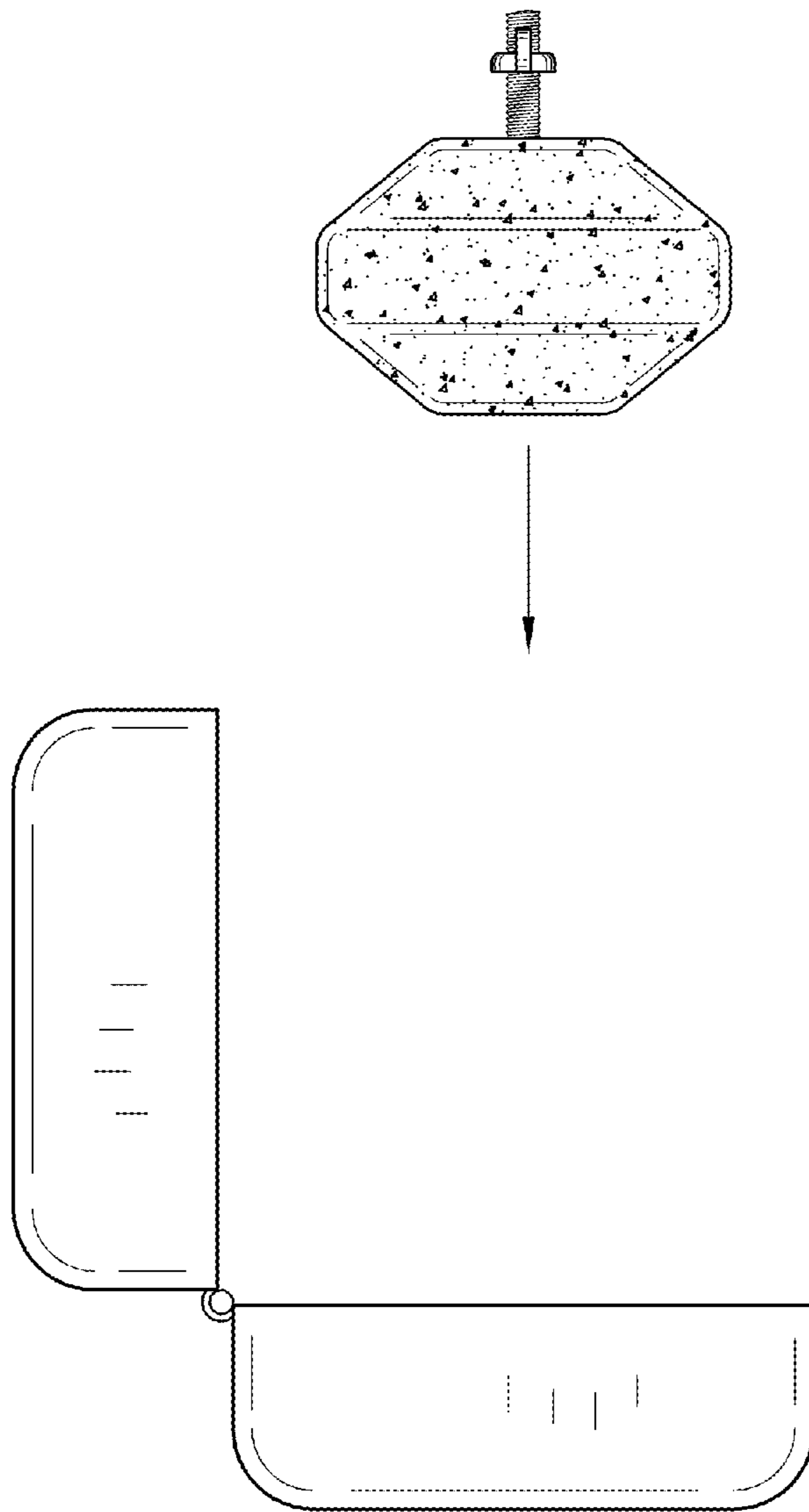


FIG. 3

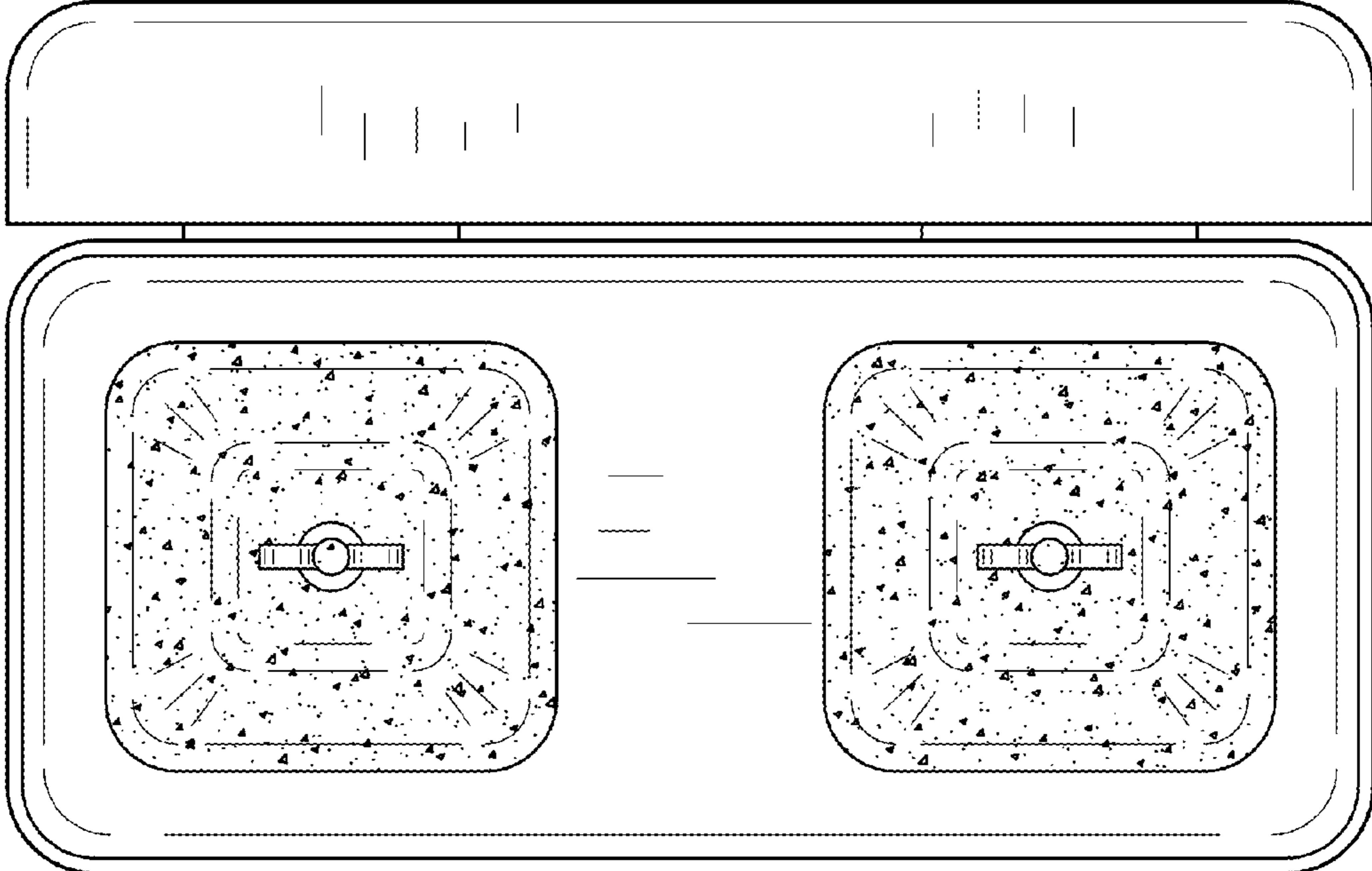


FIG. 4

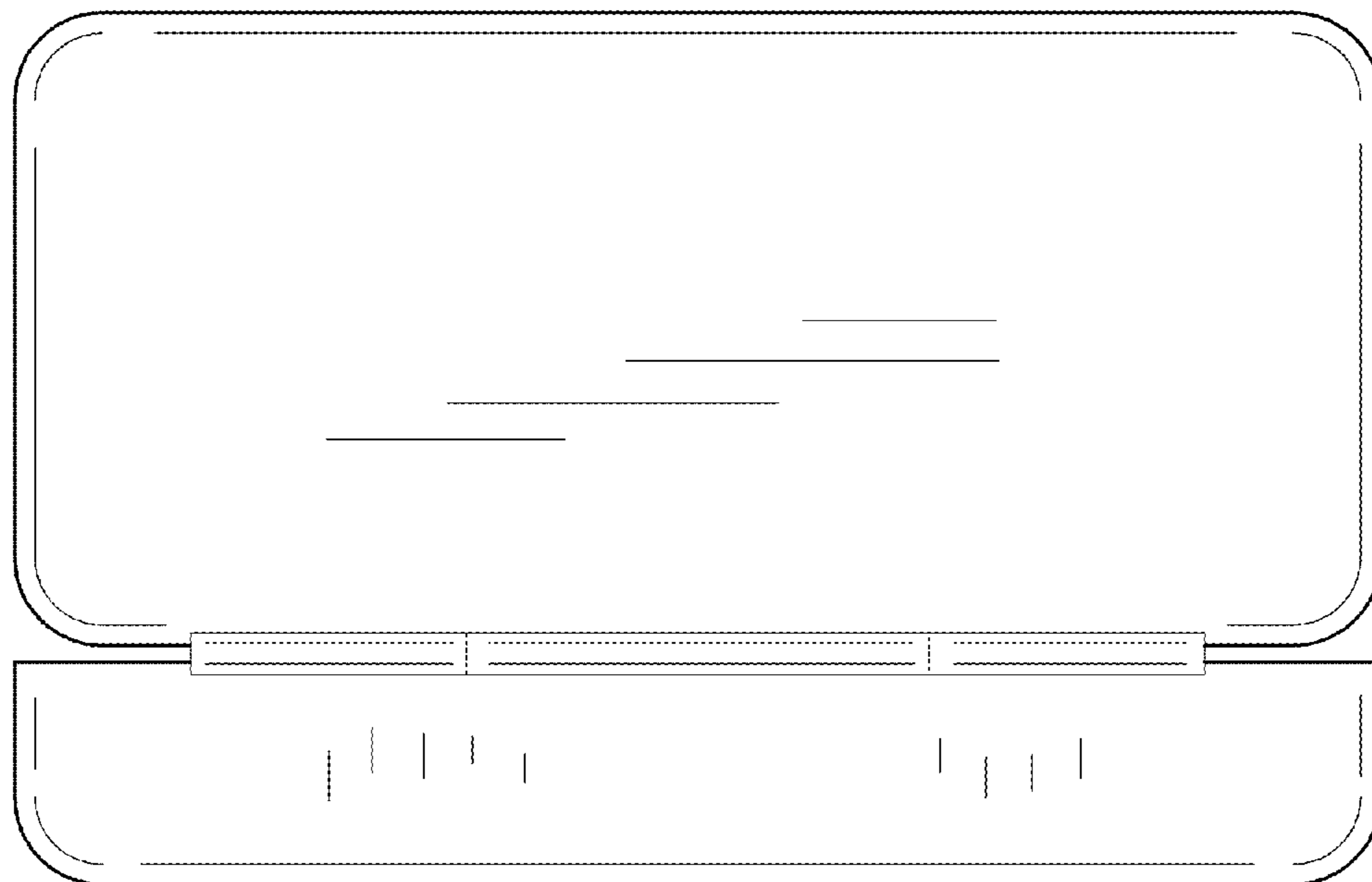


FIG. 5

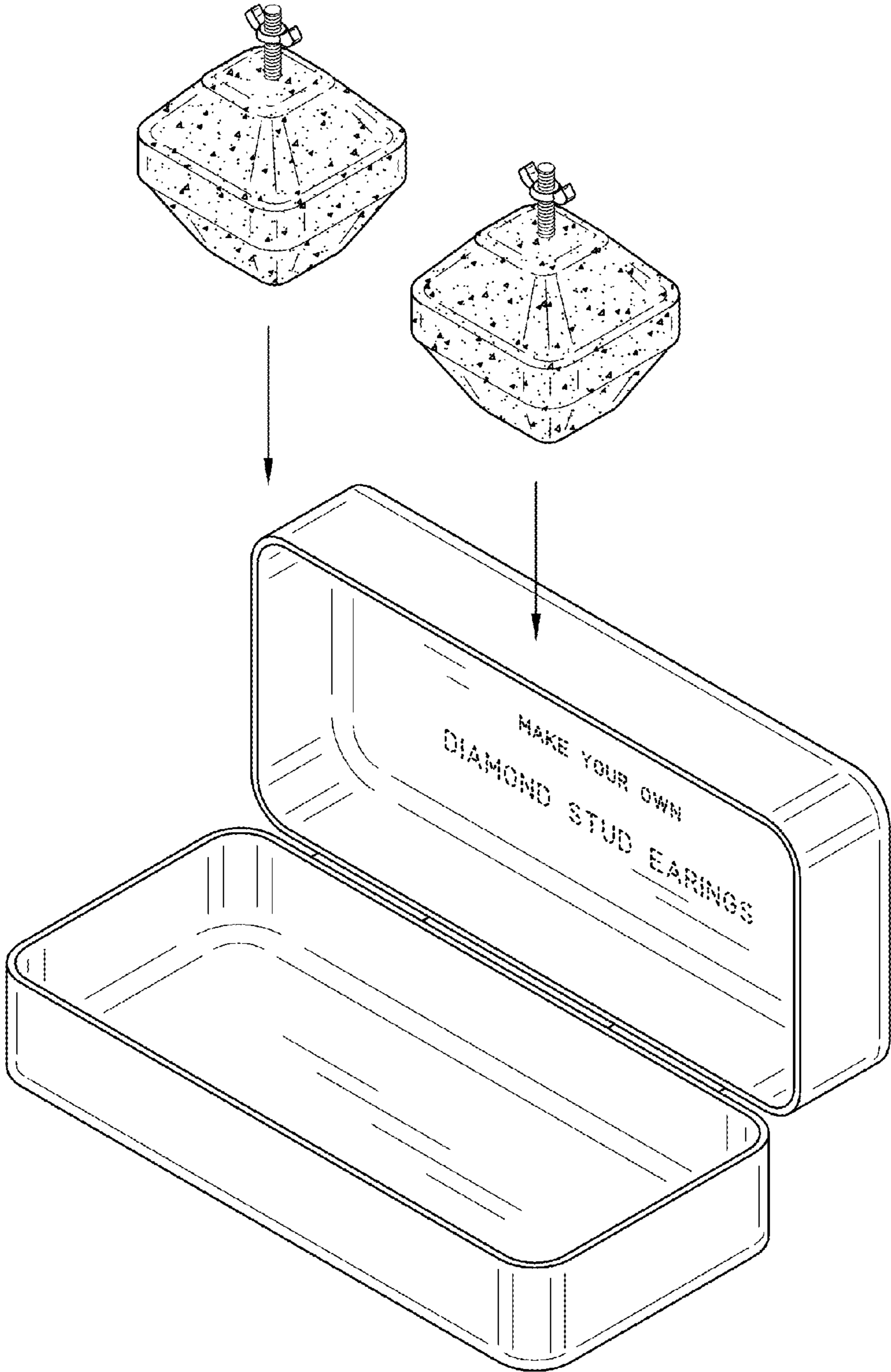


FIG. 6