



US00D743263S

(12) **United States Design Patent**  
**Pedmo et al.**

(10) **Patent No.:** **US D743,263 S**  
(45) **Date of Patent:** **\*\* Nov. 17, 2015**

(54) **CONTAINER BODY PORTION**

(71) Applicant: **Plastipak Packaging, Inc.**, Plymouth, MI (US)

(72) Inventors: **Marc A. Pedmo**, Litchfield, OH (US);  
**Christopher E. Kaminski**, Northfield Center, OH (US)

(73) Assignee: **Plastipak Packaging, Inc.**, Plymouth, MI (US)

(\*\*) Term: **14 Years**

(21) Appl. No.: **29/451,559**

(22) Filed: **Apr. 4, 2013**

(51) **LOC (10) Cl.** ..... **09-01**

(52) **U.S. Cl.**  
USPC ..... **D9/538**; D9/539; D9/551; D9/552;  
D9/557

(58) **Field of Classification Search**  
USPC ..... D9/516, 537–541, 545, 549, 551–552,  
D9/554, 556–558, 564–565, 569–571,  
D9/574; 215/370–371; 220/660, 675  
See application file for complete search history.

(56) **References Cited**

**U.S. PATENT DOCUMENTS**

D67,464 S *	6/1925	Johnson	.....	D9/552
D157,091 S *	1/1950	Schoelles	.....	D9/538
D379,151 S *	5/1997	Stevens	.....	D9/538 X
D391,163 S *	2/1998	Hanna	.....	D9/551 X
D409,493 S *	5/1999	Waggaman et al.	.....	D9/557 X
D456,075 S *	4/2002	Clements et al.	.....	D9/551 X
D464,569 S *	10/2002	Moore et al.	.....	D9/557 X
D472,474 S *	4/2003	Headen et al.	.....	D9/564 X
D480,650 S *	10/2003	Moore et al.	.....	D9/540
D527,267 S *	8/2006	Zboch et al.	.....	D9/516

D538,170 S *	3/2007	Venkataraman et al.	.....	D9/550
D565,419 S *	4/2008	Darr et al.	.....	D9/556 X
D567,094 S *	4/2008	Bickert	.....	D9/529
D607,740 S *	1/2010	Eisen	.....	D9/546
D671,007 S *	11/2012	Lovelace et al.	.....	D9/516
8,496,130 B2 *	7/2013	Lane et al.	.....	215/381
8,556,098 B2 *	10/2013	Peykoff et al.	.....	215/384
8,596,479 B2 *	12/2013	Simon et al.	.....	215/382
D699,580 S *	2/2014	Eaton et al.	.....	D9/516
8,950,611 B2 *	2/2015	Derrien et al.	.....	215/373
2003/0080135 A1 *	5/2003	Bezek	.....	220/673
2010/0072165 A1 *	3/2010	Schau	.....	215/371
2010/0140280 A1 *	6/2010	Burke et al.	.....	215/382 X
2010/0155359 A1 *	6/2010	Simon et al.	.....	220/675 X
2010/0163513 A1 *	7/2010	Pedmo	.....	215/370
2014/0054257 A1 *	2/2014	Peykoff et al.	.....	215/383
2014/0183202 A1 *	7/2014	Hanan	.....	220/669
2015/0008210 A1 *	1/2015	Oshino et al.	.....	215/382 X

\* cited by examiner

*Primary Examiner* — Carol P Rademaker

(74) *Attorney, Agent, or Firm* — Mario A. Tabone

(57) **CLAIM**

The ornamental design for a container body portion, as shown and described.

**DESCRIPTION**

FIG. 1 is a top, front, left perspective view of a container body portion of the claimed design;

FIG. 2 is a front elevational view thereof;

FIG. 3 is a rear elevational view thereof;

FIG. 4 is a left side elevational view thereof;

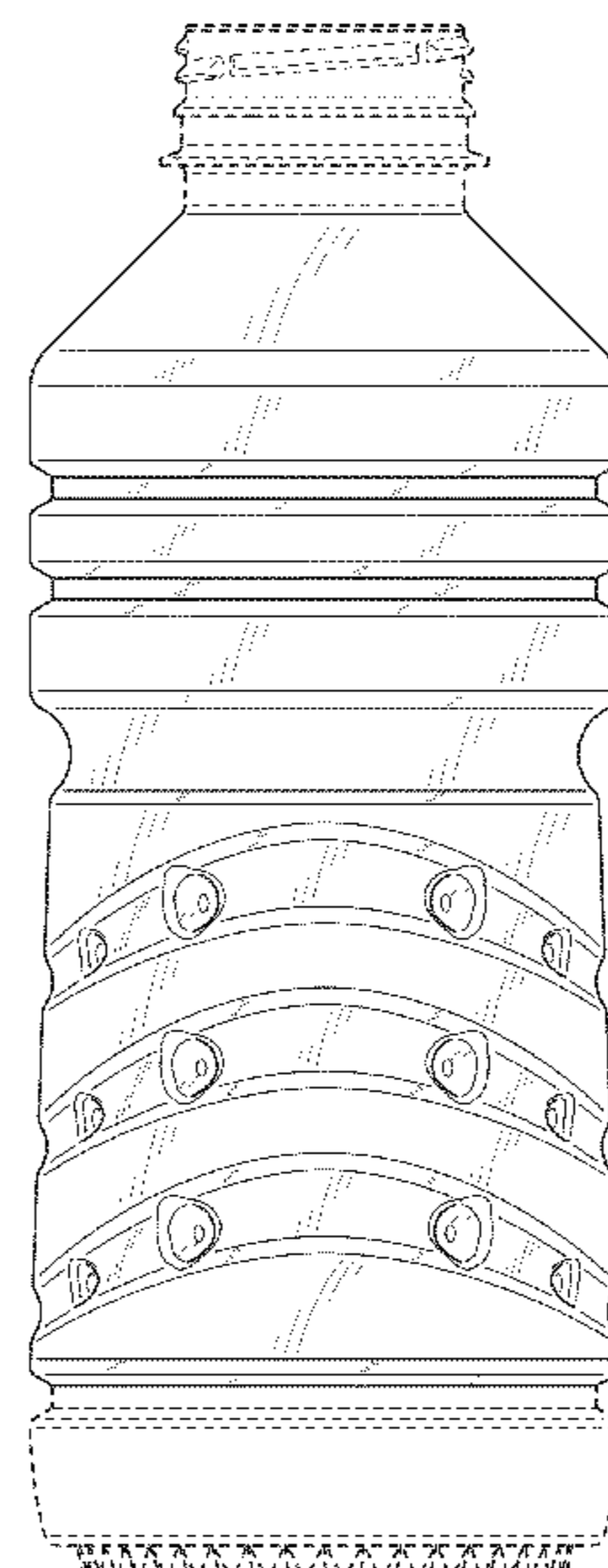
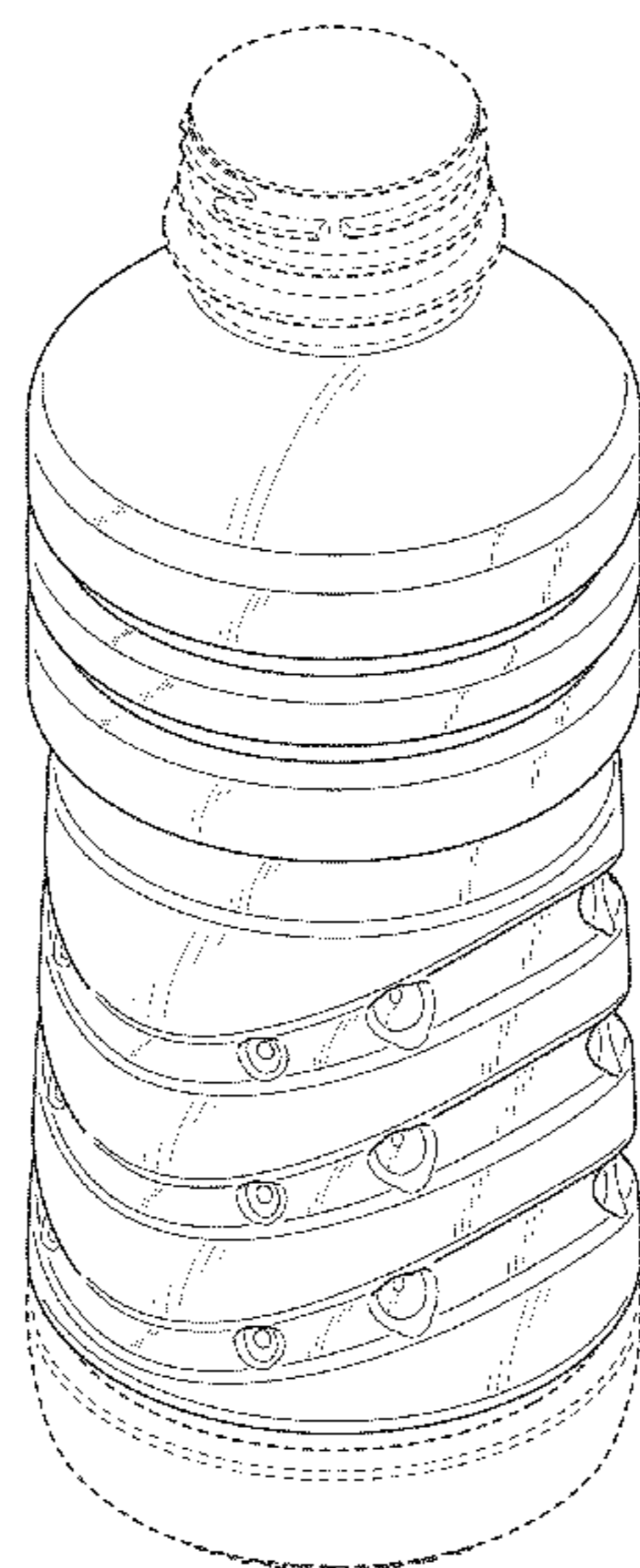
FIG. 5 is a right side elevational view thereof;

FIG. 6 is a top plan view thereof; and,

FIG. 7 is a bottom plan view thereof.

The broken lines shown in the drawings are included for the purpose of illustrating portions of the bottle which form no part of the claimed design.

**1 Claim, 6 Drawing Sheets**



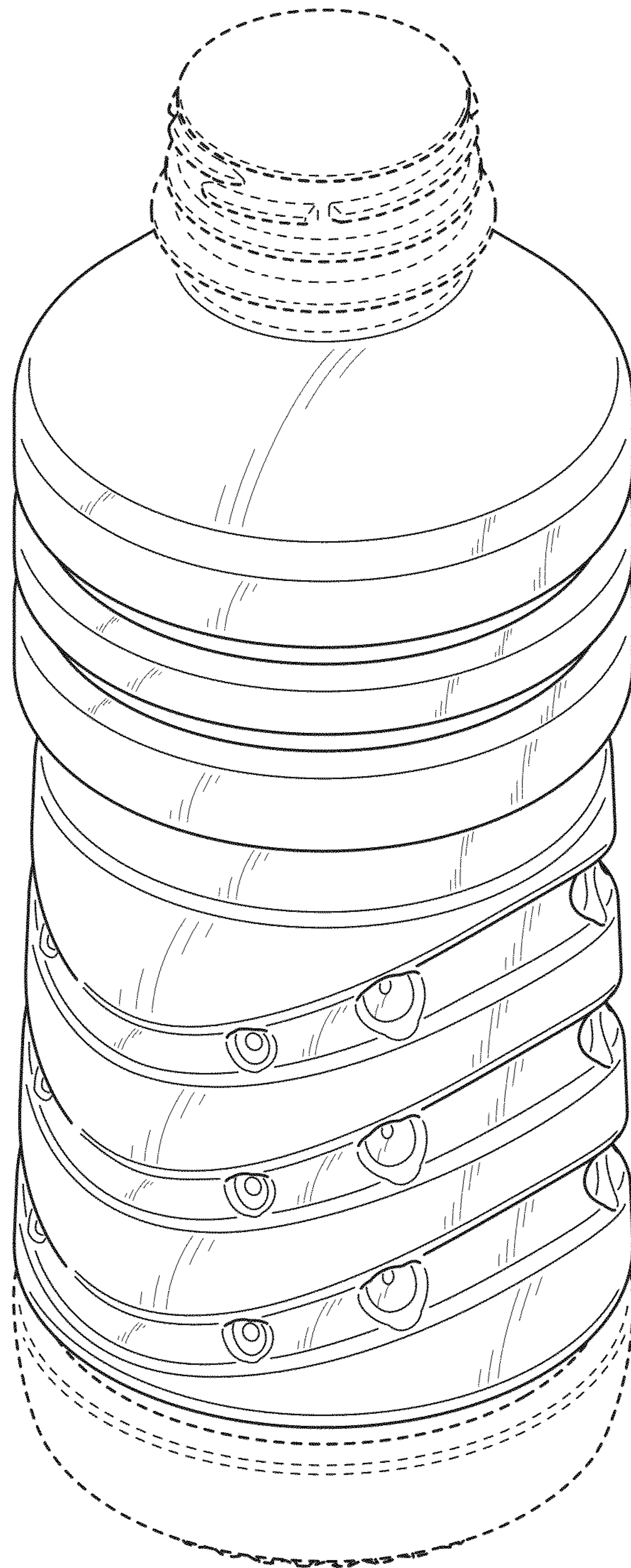


FIG. 1

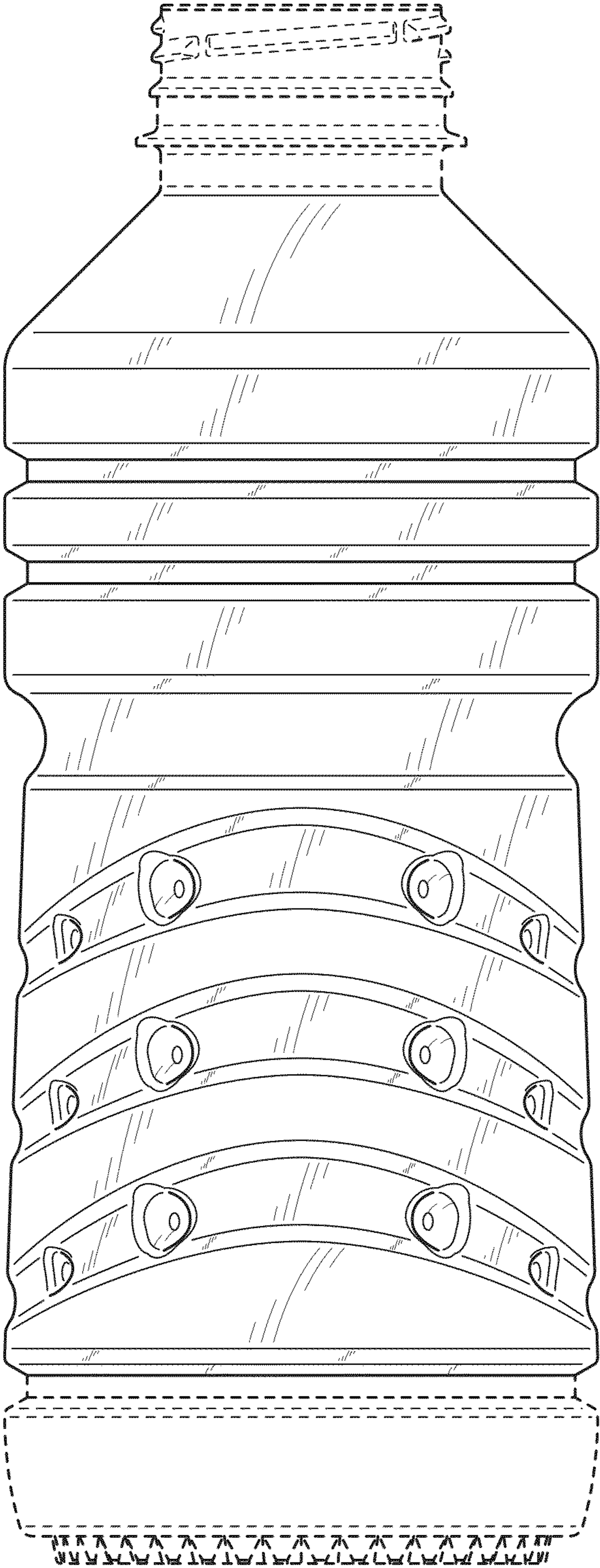


FIG. 2

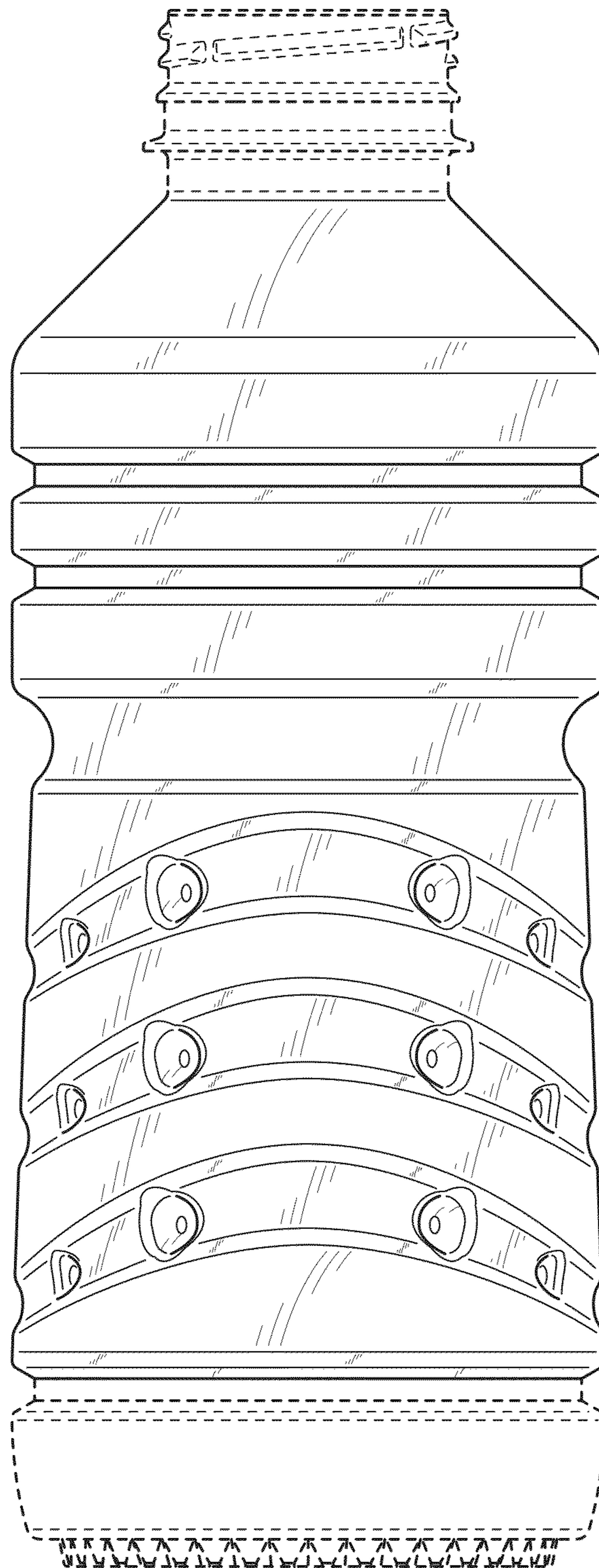


FIG. 3

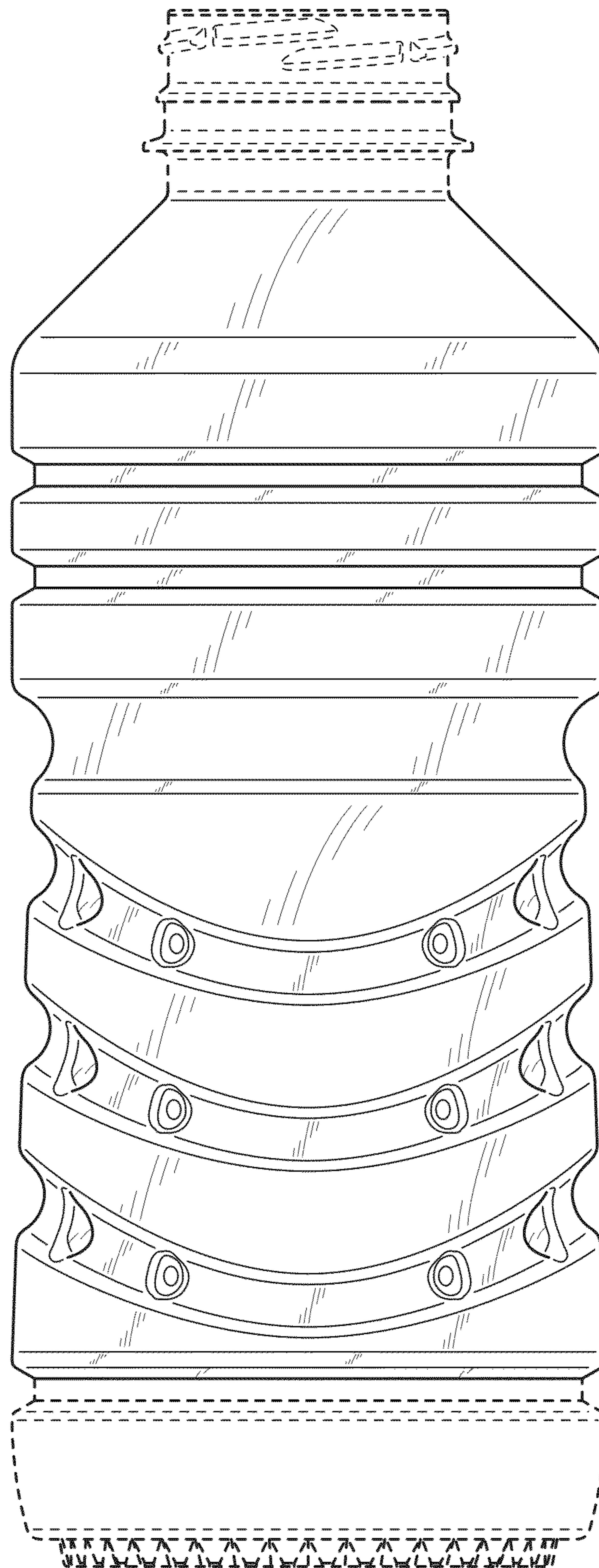


FIG. 4

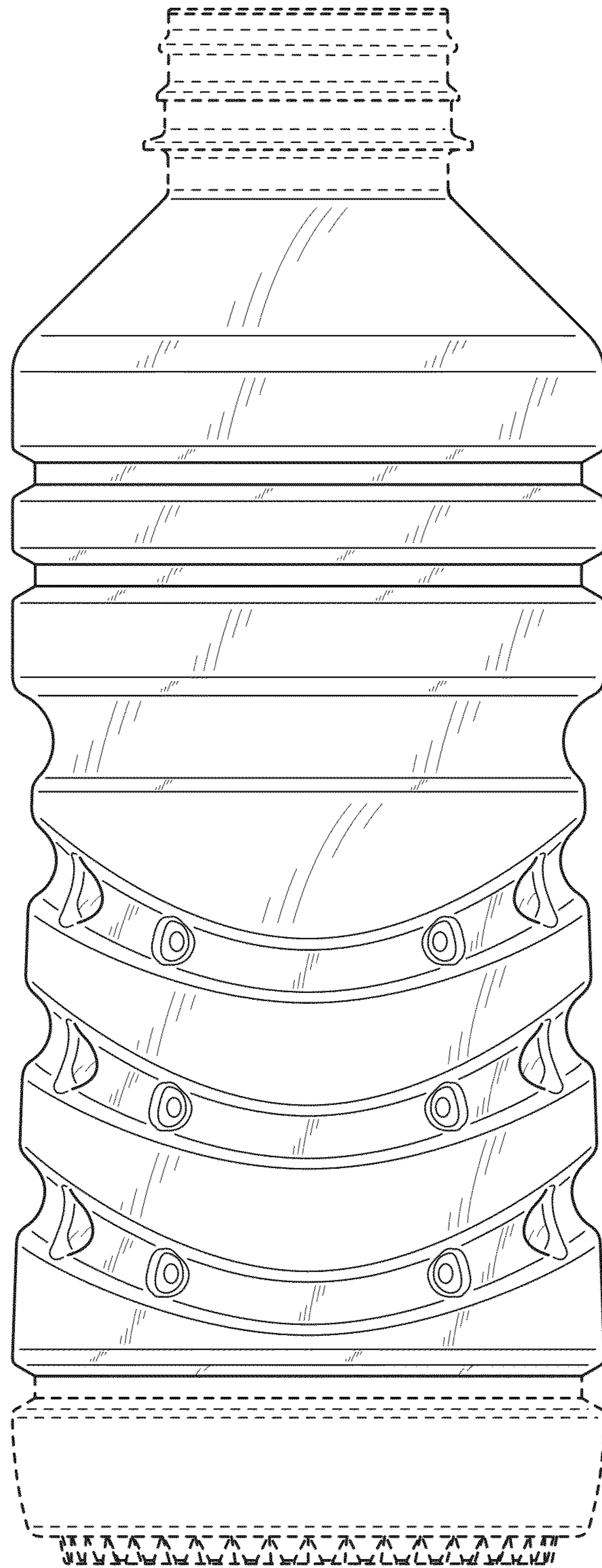


FIG. 5

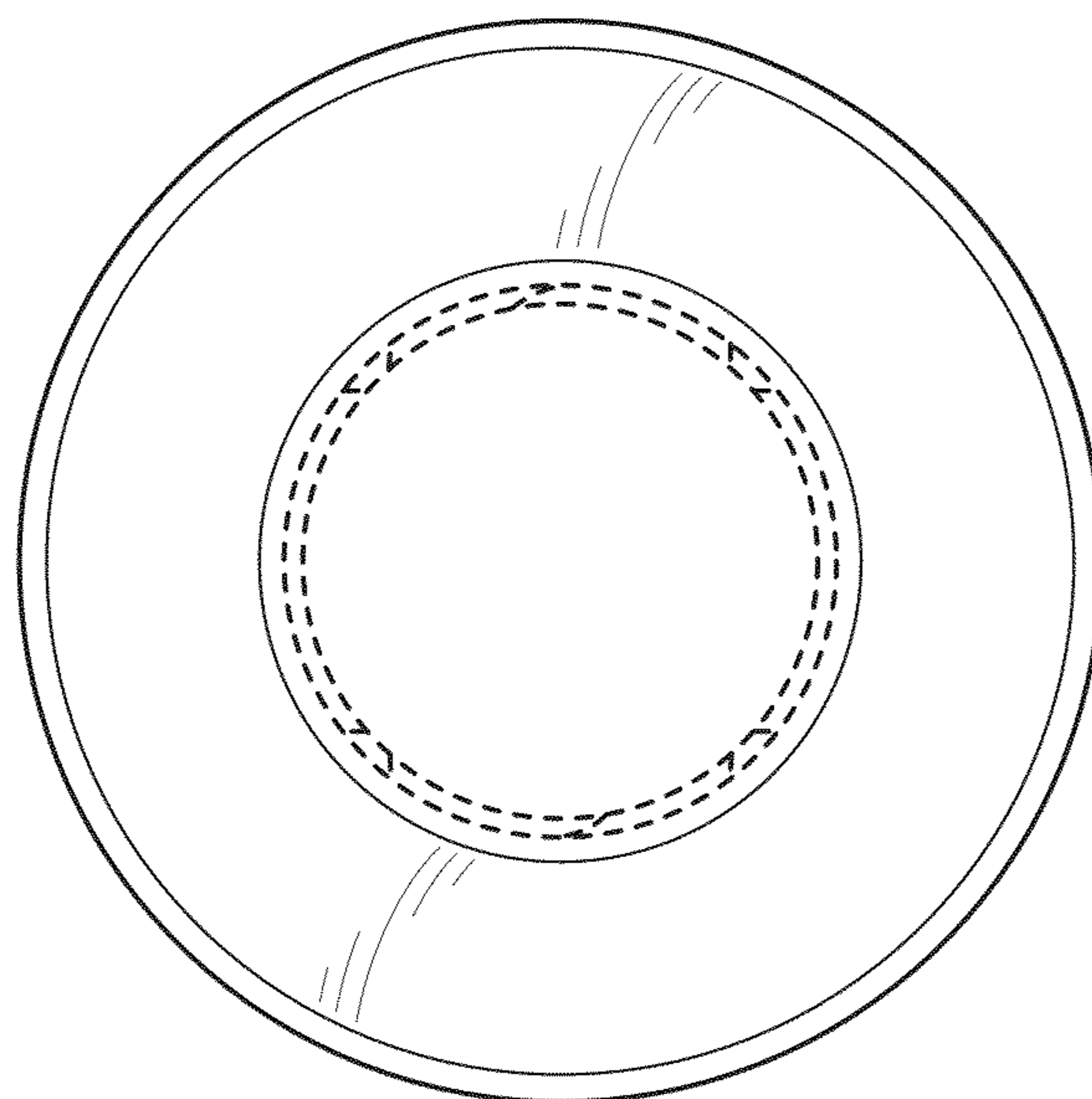


FIG. 6

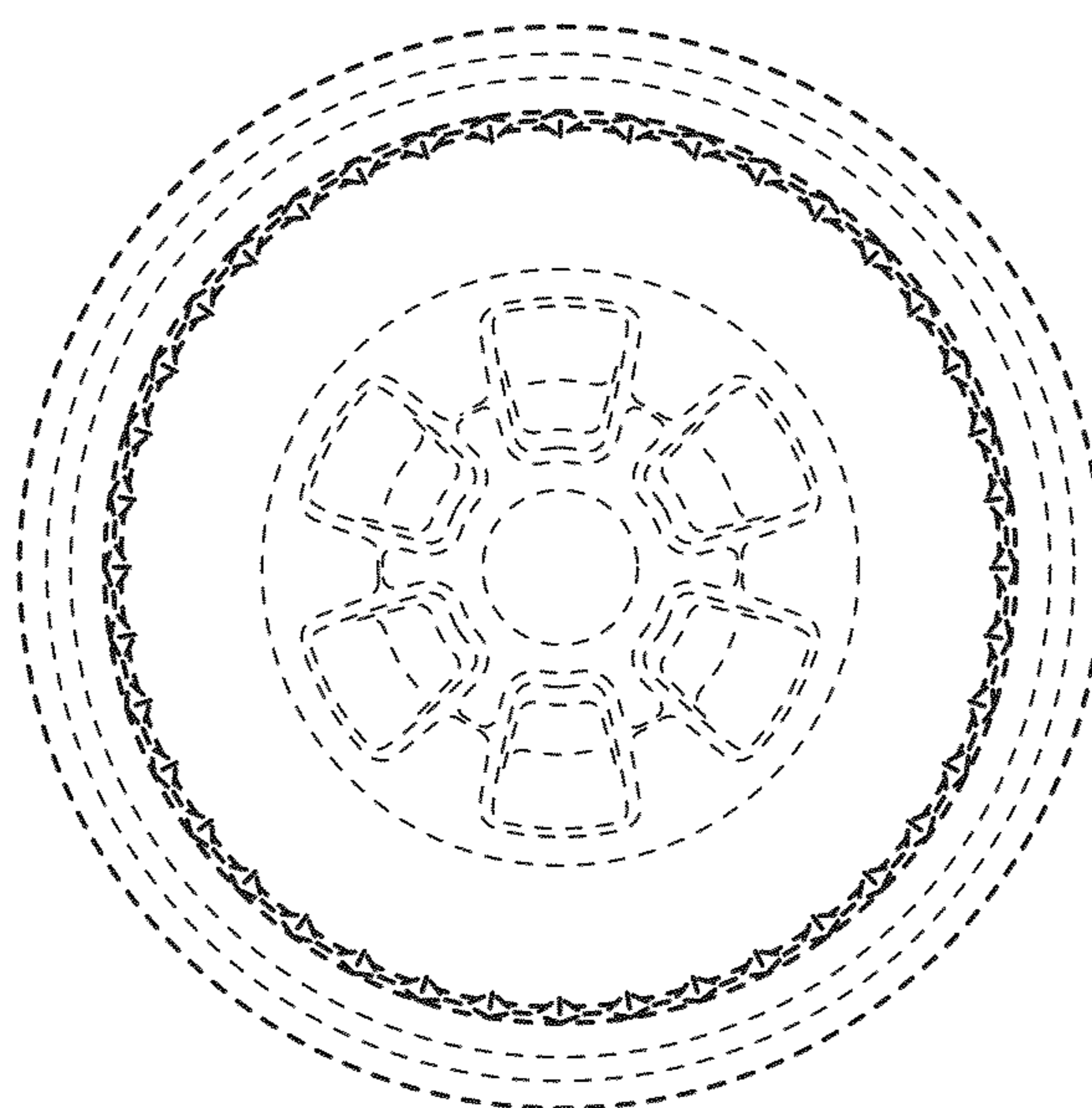


FIG. 7