



US00D743253S

(12) **United States Design Patent**
Kui

(10) **Patent No.:** **US D743,253 S**

(45) **Date of Patent:** **** Nov. 17, 2015**

(54) **FOOD CONTAINER AND LID**

(71) Applicant: **Shuang Chieh Kui**, Elmhurst, NY (US)

(72) Inventor: **Shuang Chieh Kui**, Elmhurst, NY (US)

(**) Term: **14 Years**

(21) Appl. No.: **29/483,133**

(22) Filed: **Feb. 25, 2014**

(51) **LOC (10) Cl.** **09-03**

(52) **U.S. Cl.**
USPC **D9/429**

(58) **Field of Classification Search**
USPC D9/414, 416, 418, 423, 425, 428-431,
D9/454, 542; D7/538, 540, 542, 550.1,
D7/565, 584, 602, 629; 206/501-509, 512;
220/4.23-4.24, 23.86, 780-781,
220/791-793, 835, 839
CPC B65D 2543/00092; B65D 2543/00731;
B65D 2543/00416; B65D 21/0223
See application file for complete search history.

(56) **References Cited**

U.S. PATENT DOCUMENTS

D345,912 S *	4/1994	Krupa	D9/429
D358,091 S *	5/1995	Warburton	D9/429
D391,850 S *	3/1998	Krupa et al.	D9/429
D468,202 S *	1/2003	Chou	D9/429
D491,455 S *	6/2004	Li	D9/428

D497,548 S *	10/2004	Nordland	D9/428
D504,281 S *	4/2005	Duggan	D7/540
D549,050 S *	8/2007	Spencer et al.	D7/538
D581,781 S *	12/2008	Enriquez	D9/429
D649,448 S *	11/2011	Wu	D9/429
D664,033 S *	7/2012	Liang et al.	D9/428
D677,156 S *	3/2013	Wu	D9/429
D680,861 S *	4/2013	Chen	D9/429
D681,449 S *	5/2013	Snedden et al.	D9/429
D681,451 S *	5/2013	Kui	D9/432
2006/0180646 A1 *	8/2006	Littlejohn et al.	229/406
2014/0151387 A1 *	6/2014	Chen	220/780

* cited by examiner

Primary Examiner — Philip S Hyder

Assistant Examiner — Keith Frank

(74) *Attorney, Agent, or Firm* — Wechsler & Wechsler, P.C.;
Lawrence I. Wechsler

(57) **CLAIM**

The ornamental design for a food container and lid, substantially as shown and described.

DESCRIPTION

FIG. 1 is a perspective view showing the food container and lid;

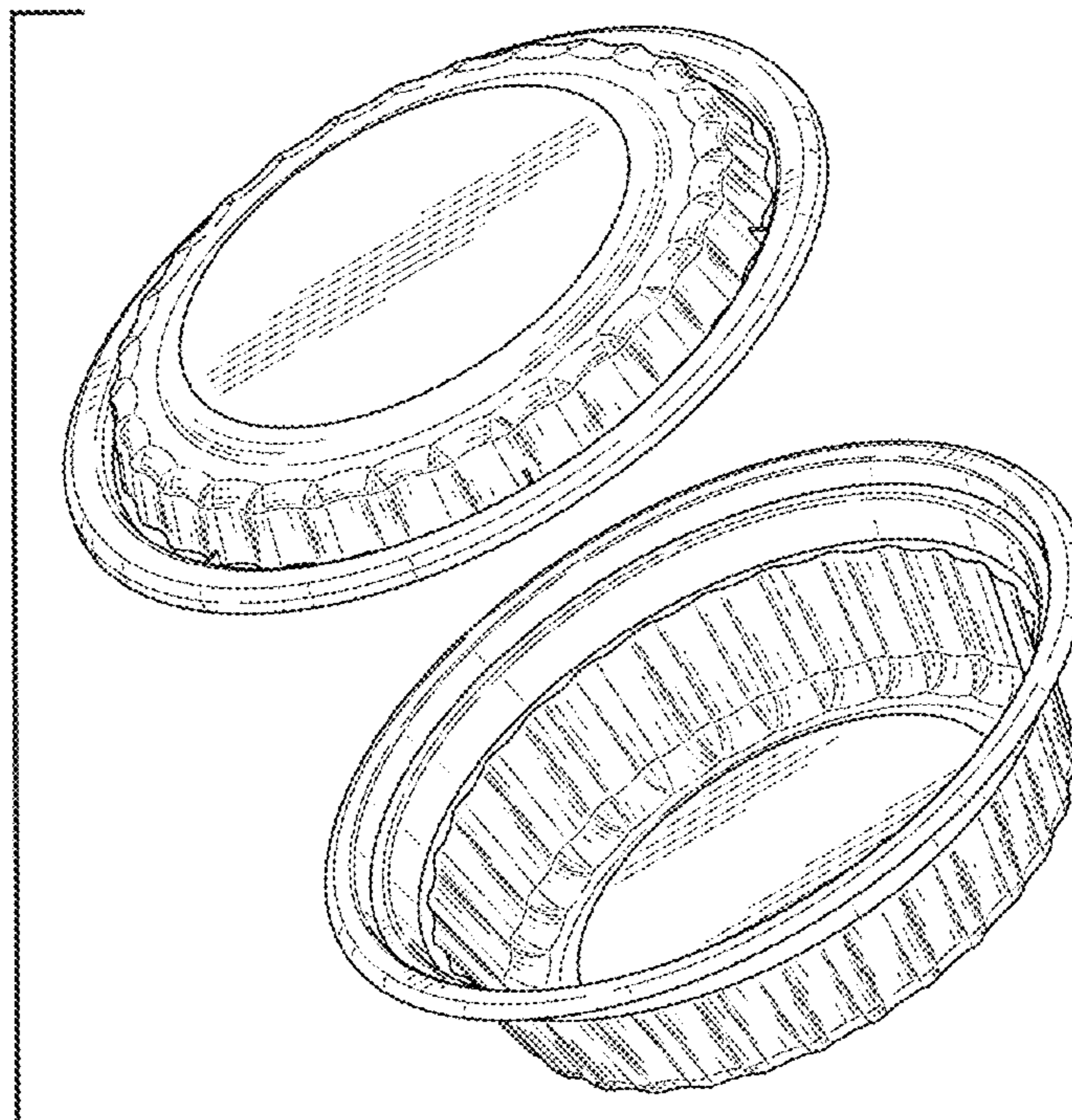
FIG. 2 is a side view showing the food container and lid;

FIG. 3 is a top view showing the food container and lid;

FIG. 4 is a bottom view showing the food container and lid; and,

FIG. 5 is a perspective view showing the food container and lid connected to each other.

1 Claim, 5 Drawing Sheets



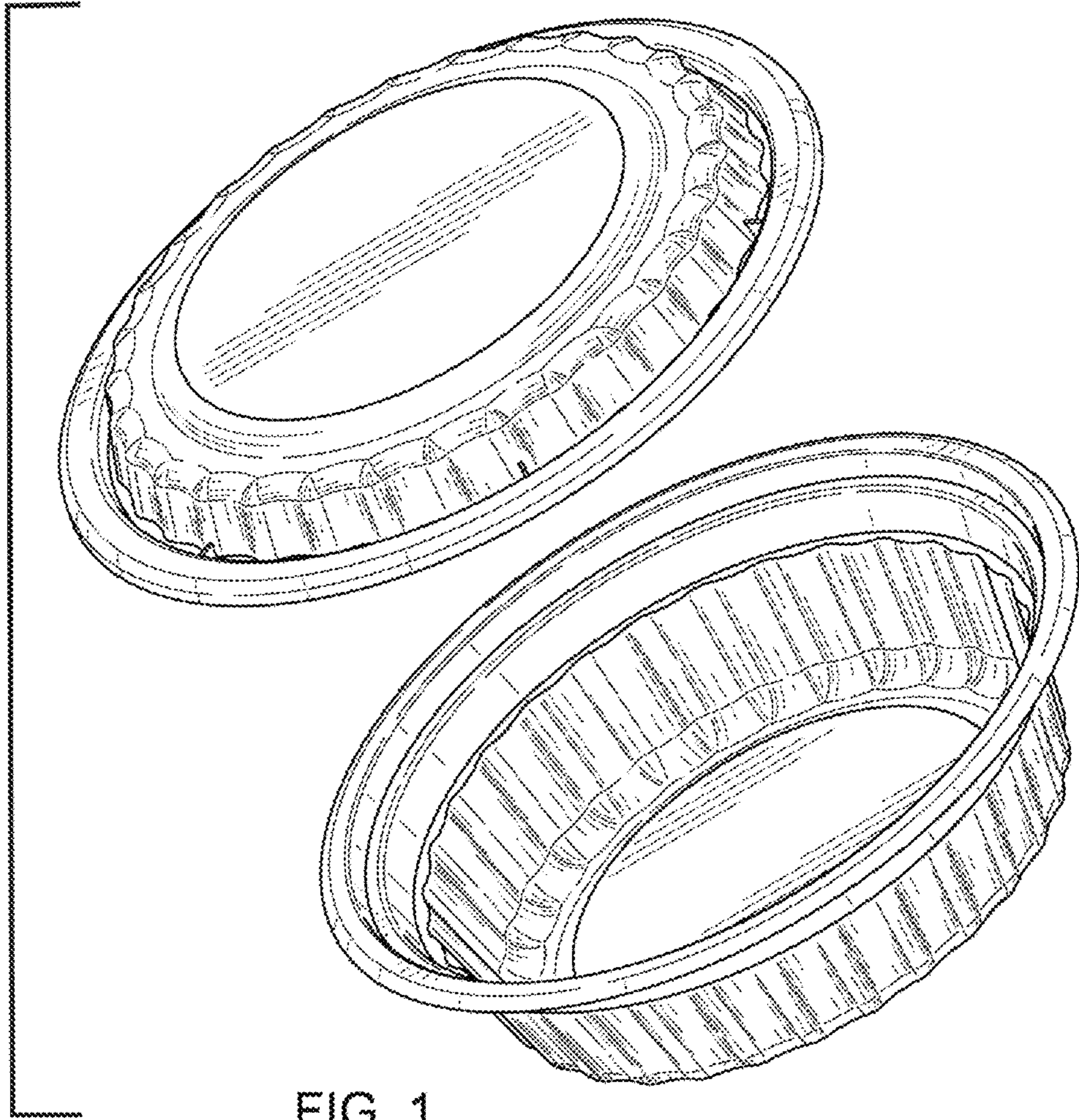


FIG. 1

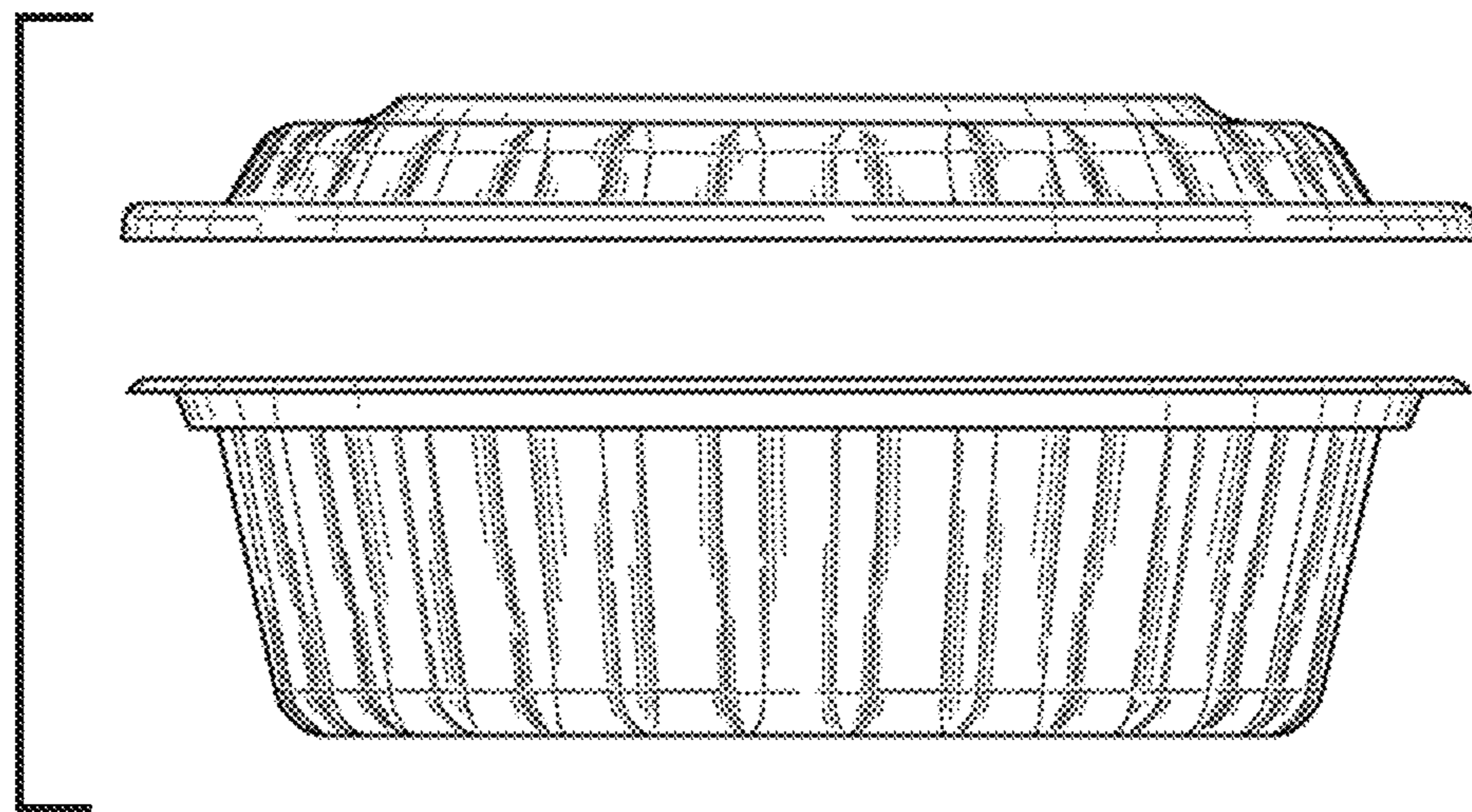


FIG. 2

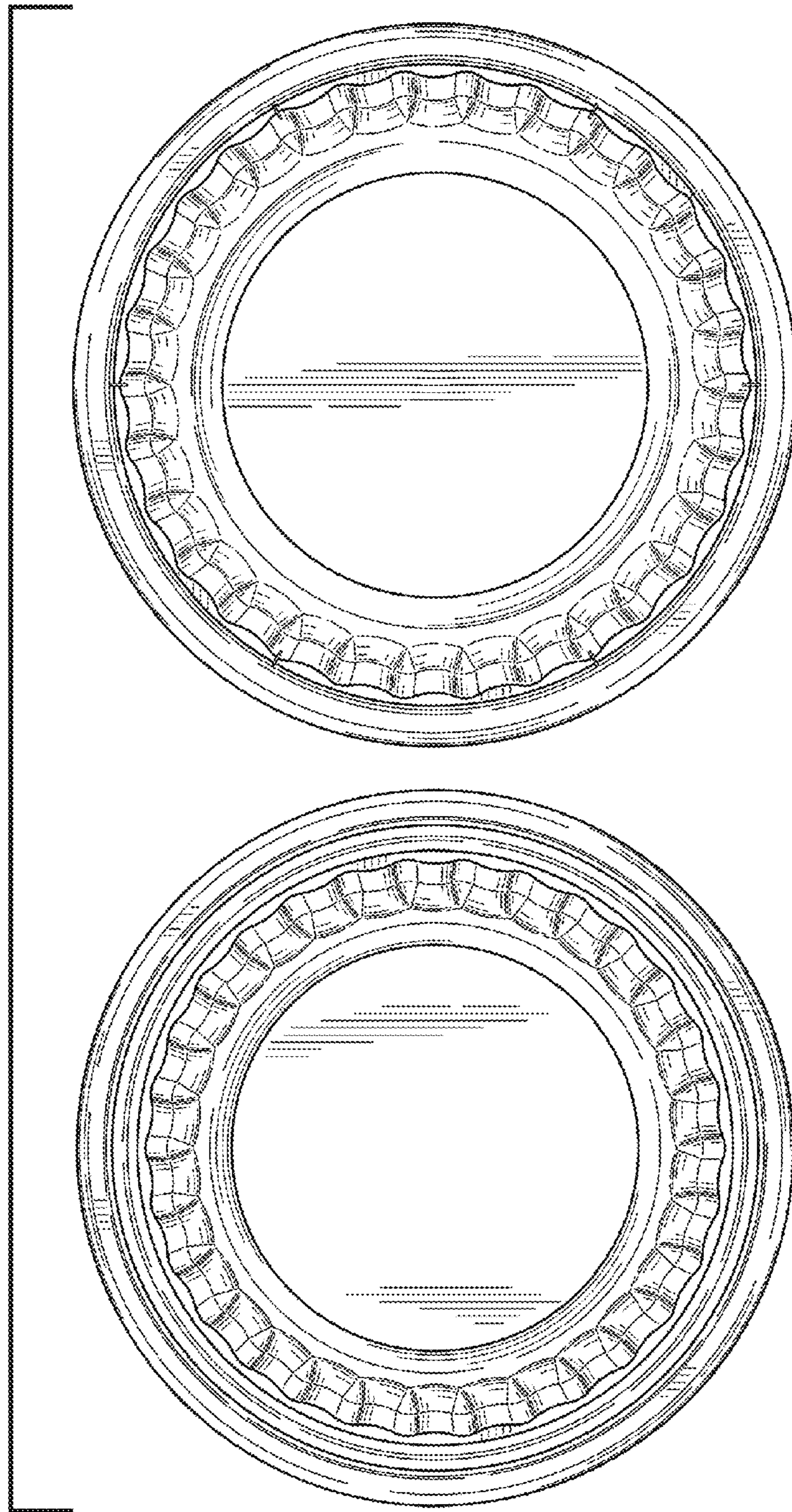


FIG. 3

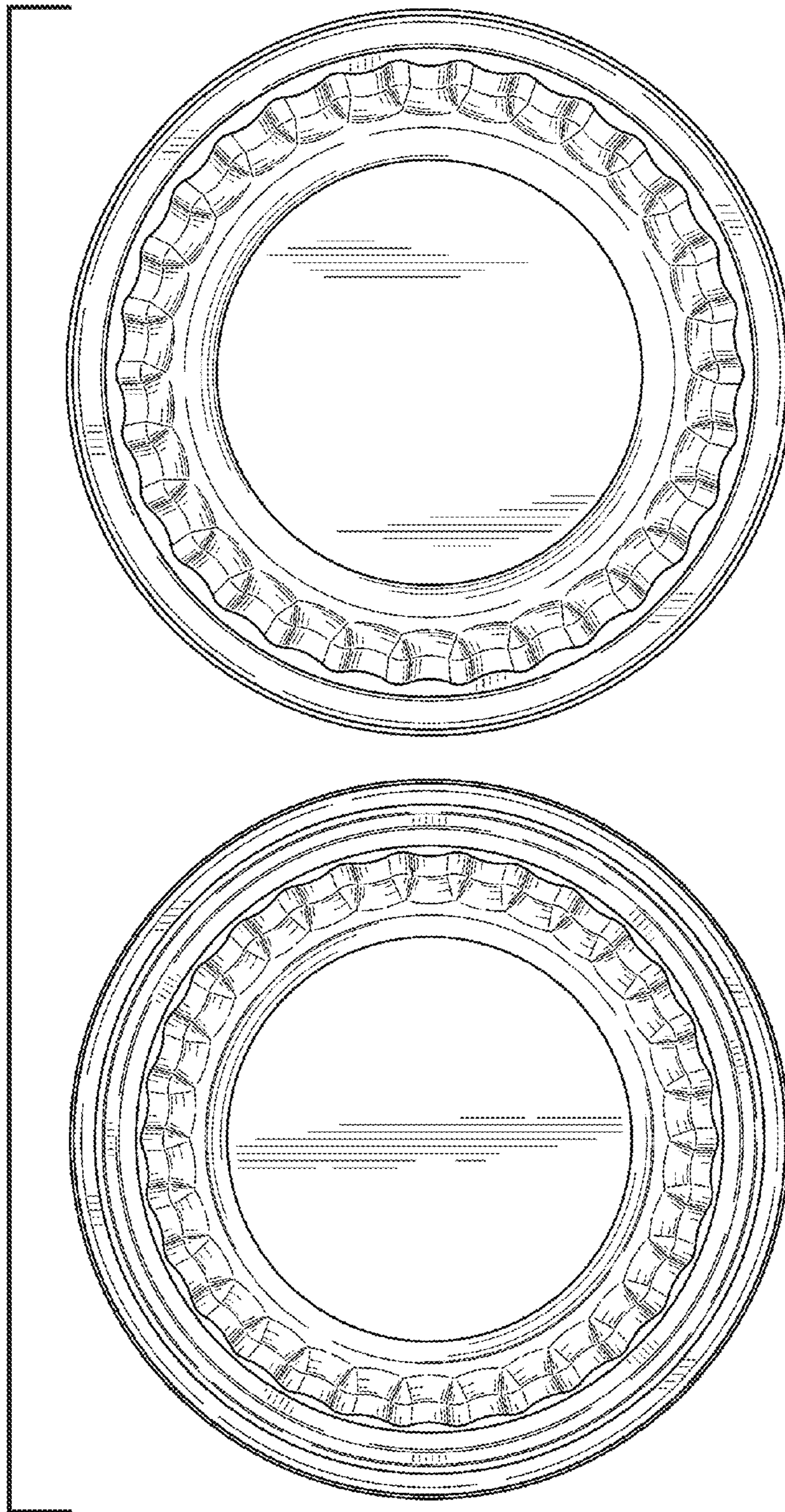


FIG. 4

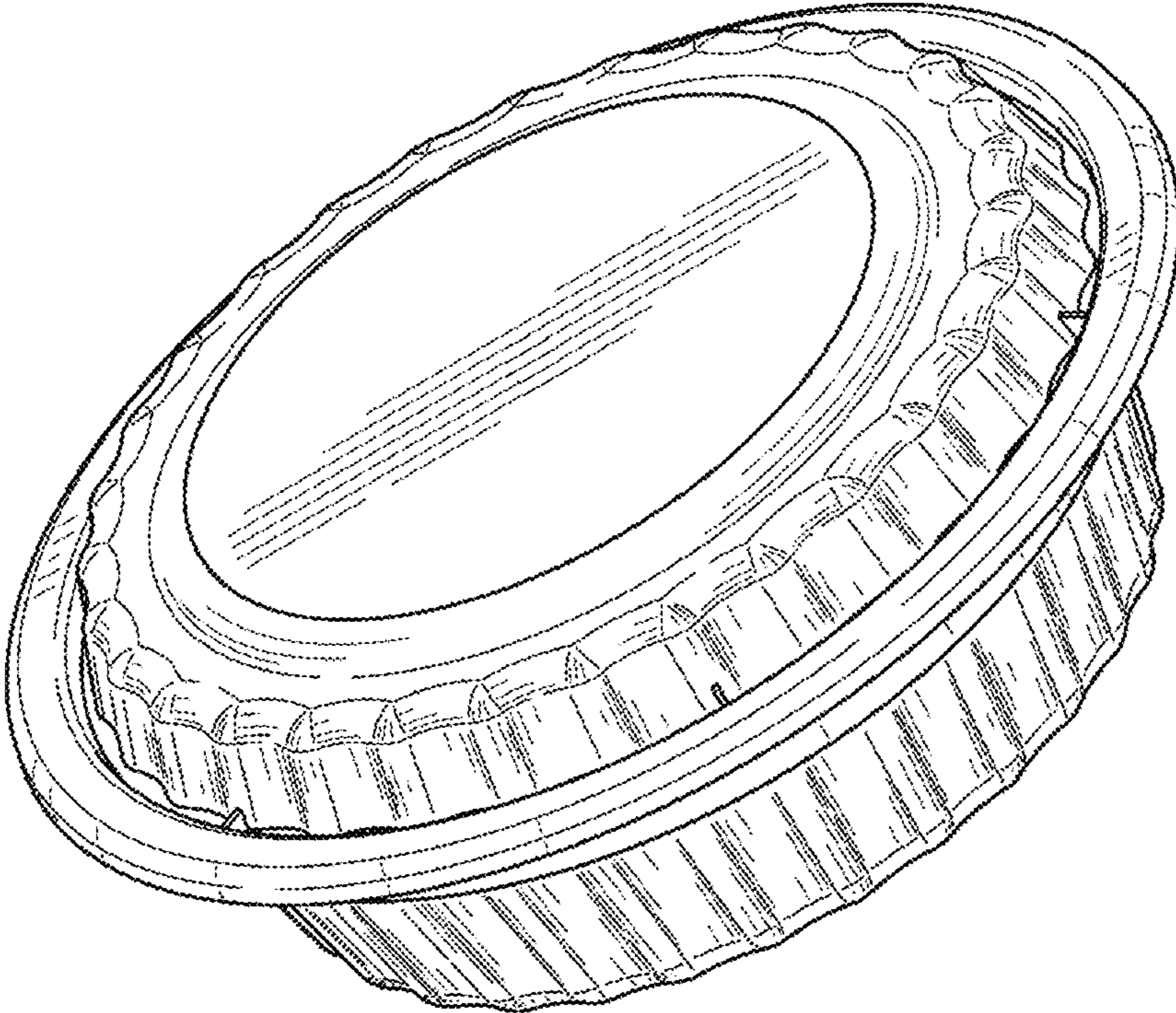


FIG. 5