



US00D743252S

(12) **United States Design Patent**  
**Hansen et al.**

(10) **Patent No.:** **US D743,252 S**  
(45) **Date of Patent:** **\*\* Nov. 17, 2015**

(54) **BEVERAGE CARTRIDGE**

(71) Applicant: **Kraft Foods R&D, Inc.**, Northfield, IL (US)

(72) Inventors: **Nick Andrew Hansen**, Banbury (GB);  
**Mark Richard Thomas Norton**, Banbury (GB)

(73) Assignee: **Kraft Foods R & D, Inc.**, Deerfield, IL (US)

(\*\*) Term: **14 Years**

(21) Appl. No.: **29/461,867**

(22) Filed: **Jul. 29, 2013**

**Related U.S. Application Data**

(60) Division of application No. 29/433,078, filed on Sep. 25, 2012, now Pat. No. Des. 695,111, which is a continuation-in-part of application No. PCT/GB2012/050623, filed on Mar. 22, 2012.

(30) **Foreign Application Priority Data**

Mar. 23, 2011 (GB) ..... 1104910.3

(51) **LOC (10) CL.** ..... **09-03**

(52) **U.S. CL.**  
USPC ..... **D9/429**

(58) **Field of Classification Search**

USPC ..... 220/564, 560.09, 568; D7/503, 513, D7/527, 541, 542, 545, 566, 586, 587, 601, D7/602, 612, 615, 619.1, 629, 630, 624.3, D7/373; 206/223, 541, 423, 501, 502, 503, 206/505, 508, 561, 564; 99/646 C, DIG. 15; D11/152, 153; D3/202, 203.3, 302, D3/304; D9/414, 416-438, 440, 447, 454, D9/499, 500, 502, 503, 904  
CPC ..... B65D 85/8043; B65D 2081/001; B65D 81/3238; A47J 31/407  
See application file for complete search history.

(56) **References Cited**

U.S. PATENT DOCUMENTS

2,778,739 A 1/1957 Rodth  
D190,530 S 6/1961 Bender et al.

(Continued)

FOREIGN PATENT DOCUMENTS

CA 2421128 9/2003  
CA 2674483 7/2008

(Continued)

OTHER PUBLICATIONS

U.S. Appl. No. 13/612,528, filed Sep. 12, 2012, entitled Cartridges, Systems and Methods for Preparation of Beverages, 38 pages.

(Continued)

*Primary Examiner* — Philip S Hyder

*Assistant Examiner* — Keith Frank

(74) *Attorney, Agent, or Firm* — Fitch, Even, Tabin & Flannery LLP

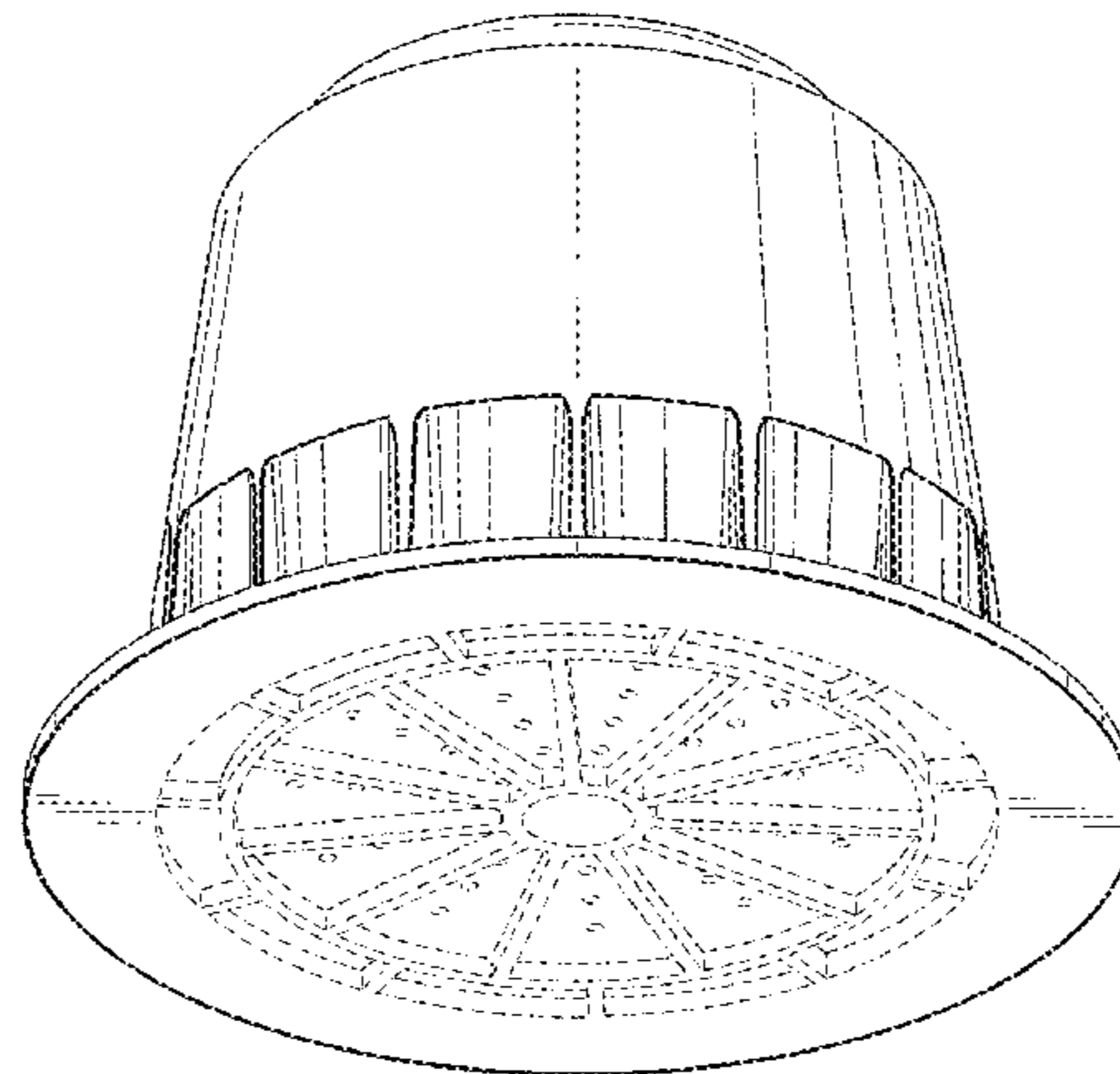
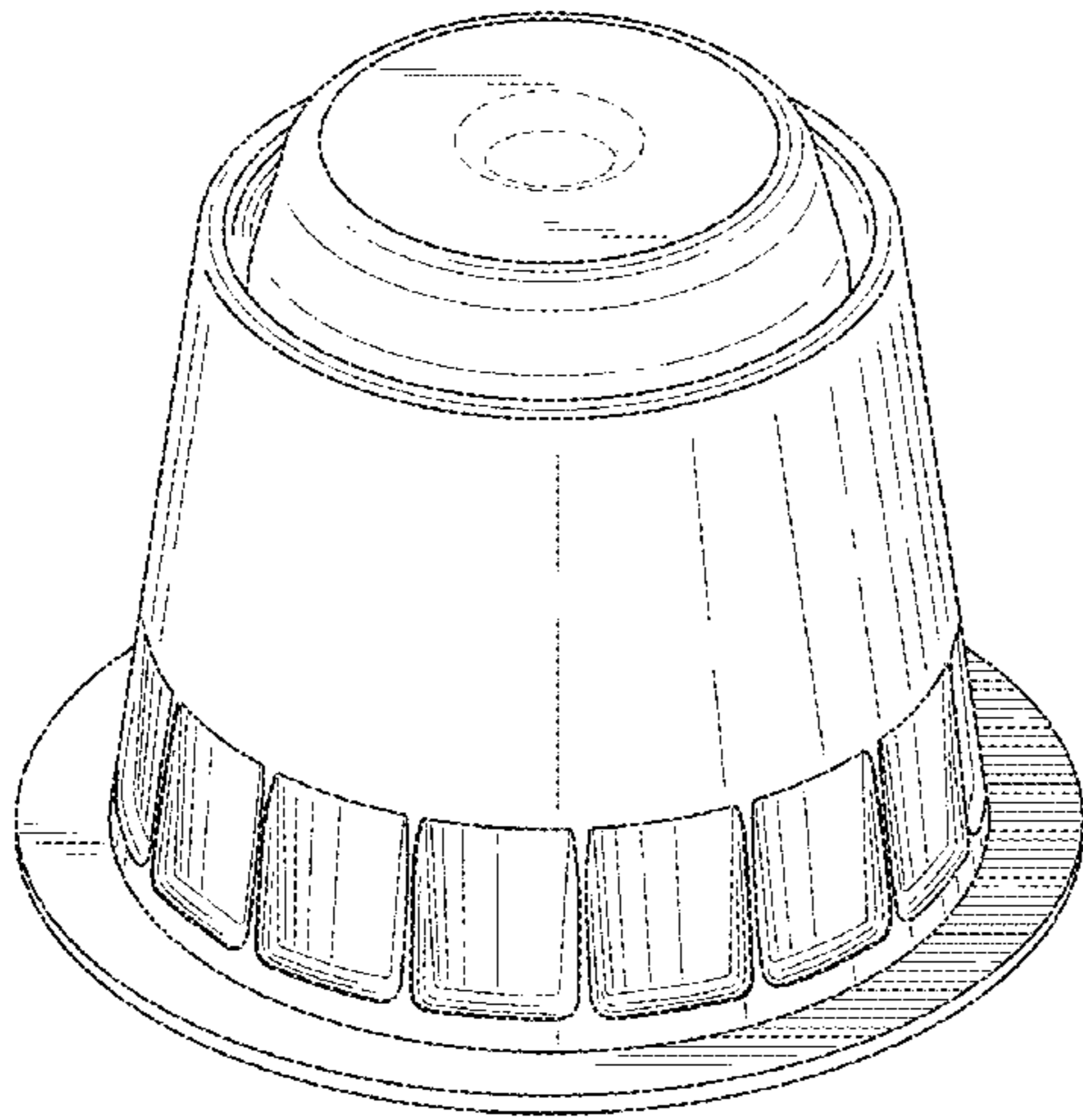
(57) **CLAIM**

The ornamental design for a beverage cartridge, as shown and described.

**DESCRIPTION**

FIG. 1 is an upper front perspective view of a beverage cartridge showing our new design;  
FIG. 2 is a front elevation view thereof;  
FIG. 3 is a lower left side perspective view thereof;  
FIG. 4 is a bottom plan view thereof;  
FIG. 5 is a left side elevation view thereof;  
FIG. 6 is a top plan view thereof;  
FIG. 7 is a right side elevation view thereof; and,  
FIG. 8 is a back elevation view thereof.  
Broken line disclosures in the figures show unclaimed subject matter and form no part of the claimed design.

**1 Claim, 4 Drawing Sheets**



(56)

References Cited

U.S. PATENT DOCUMENTS

3,070,275 A	12/1962	Bostrom	5,242,702 A	9/1993	Fond
3,083,101 A	3/1963	Noury	5,243,164 A	9/1993	Erickson et al.
D195,004 S	4/1963	Eicholtz	5,259,295 A	11/1993	Timm
D195,005 S	4/1963	Eicholtz	D342,447 S	12/1993	Aylward
D197,313 S	1/1964	Wanderer	5,272,960 A	12/1993	Kinna
3,292,527 A	12/1966	Stasse	5,279,442 A	1/1994	Jentzsch et al.
3,336,857 A	8/1967	Knodt et al.	5,287,797 A	2/1994	Grykiewicz et al.
3,398,836 A	8/1968	Hugentobler	5,298,267 A	3/1994	Gruenbacher
3,403,617 A	10/1968	Lampe	5,325,765 A	7/1994	Sylvan et al.
3,443,714 A	5/1969	Edwards	5,327,815 A	7/1994	Fond et al.
3,443,715 A	5/1969	Edwards	5,343,799 A	9/1994	Fond
3,445,237 A	5/1969	Gidge	5,347,916 A	9/1994	Fond et al.
D216,870 S	3/1970	Gregor	5,363,745 A	11/1994	Lin
D221,418 S	8/1971	Kinney	5,398,595 A	3/1995	Fond et al.
3,607,297 A	9/1971	Fasano	5,398,596 A	3/1995	Fond
3,811,373 A	5/1974	Telco	5,424,083 A	6/1995	Lotizo
3,812,273 A	5/1974	Schmidt	5,440,972 A	8/1995	English
3,823,656 A	7/1974	Veken	5,472,719 A	12/1995	Favre
3,833,740 A	9/1974	Schmidt	5,531,152 A	7/1996	Gardosi
3,878,772 A	4/1975	Nordskog	5,603,254 A	2/1997	Fond et al.
D235,246 S	6/1975	Evans et al.	D379,287 S	5/1997	Carlson
3,937,134 A	2/1976	Molenaar et al.	5,637,335 A	6/1997	Fond et al.
3,971,305 A	7/1976	Daswick	5,638,741 A	6/1997	Cisaria
D241,228 S	8/1976	Boduch	D381,558 S	7/1997	Schaefer et al.
4,075,107 A	2/1978	Smith	5,649,412 A	7/1997	Binacchi
4,094,234 A	6/1978	Olney et al.	5,649,472 A	7/1997	Fond et al.
D248,358 S	7/1978	Thomas	5,656,311 A	8/1997	Fond
4,098,177 A	7/1978	Olney et al.	5,656,316 A	8/1997	Fond
4,133,769 A	1/1979	Morgan	D389,741 S	1/1998	Barrie, II
4,136,202 A	1/1979	Favre	D394,005 S	5/1998	Marijnissen
D255,529 S	6/1980	Dziekonski	5,762,987 A	6/1998	Fond et al.
4,206,694 A	6/1980	Moskowitz et al.	5,776,527 A	7/1998	Blanc
D256,682 S	9/1980	Lee et al.	5,794,519 A	8/1998	Fischer
D260,243 S	8/1981	Dogliotti	5,826,492 A	10/1998	Fond et al.
4,306,492 A	12/1981	Zimmermann	5,840,189 A	11/1998	Sylvan et al.
4,321,139 A	3/1982	Auclair	D404,262 S *	1/1999	McGill ..... D7/629
D264,686 S	6/1982	Davis	D408,679 S	4/1999	Potts et al.
4,334,640 A	6/1982	van Overbruggen et al.	5,895,672 A	4/1999	Cooper
D265,462 S	7/1982	Andrulionis et al.	5,897,899 A	4/1999	Fond
4,362,623 A	12/1982	Holopainen	5,899,137 A	5/1999	Miller et al.
4,382,402 A	5/1983	Alvarez	5,906,844 A	5/1999	Stahli et al.
4,417,504 A	11/1983	Yamamoto	5,921,168 A	7/1999	Nello
4,452,130 A	6/1984	Klein	5,948,455 A	9/1999	Schaeffer et al.
D275,179 S	8/1984	Spencer et al.	5,952,028 A	9/1999	Lesser
4,471,689 A	9/1984	Piana	D415,024 S	10/1999	McCann
4,522,298 A	6/1985	Weinberger	D415,025 S	10/1999	McCann
D288,515 S *	3/1987	Rimmeir ..... D7/584	5,974,950 A	11/1999	King
4,724,752 A	2/1988	Aliesch et al.	6,009,792 A	1/2000	Kraan
4,738,378 A	4/1988	Oakley et al.	D419,821 S	2/2000	Powell et al.
4,775,048 A	10/1988	Baecchi et al.	6,021,705 A	2/2000	Dijs
4,800,089 A	1/1989	Scott	6,025,000 A	2/2000	Fond et al.
4,818,544 A	4/1989	Seward	6,062,127 A	5/2000	Klosinski et al.
4,846,052 A	7/1989	Favre et al.	6,068,871 A	5/2000	Fond et al.
4,853,234 A	8/1989	Bentley et al.	6,079,315 A	6/2000	Beaulieu et al.
4,859,337 A	8/1989	Woltermann	6,082,247 A	7/2000	Beaulicu
4,867,993 A	9/1989	Nordskog	D429,150 S *	8/2000	Lindsay et al. .... D9/425
4,873,915 A	10/1989	Newman et al.	D429,446 S	8/2000	Toussant et al.
4,875,408 A	10/1989	McGee	6,109,168 A	8/2000	Illy et al.
4,886,674 A	12/1989	Seward et al.	6,117,471 A	9/2000	King
D306,928 S	3/1990	Hanna	6,142,063 A	11/2000	Beaulieu et al.
D306,974 S	4/1990	Tholstrup	6,170,386 B1	1/2001	Paul
4,920,870 A	5/1990	Newman et al.	6,182,554 B1	2/2001	Beaulieu et al.
4,921,712 A	5/1990	Malmquist	6,186,051 B1	2/2001	Aarts
4,975,292 A	12/1990	Loizzi	6,189,438 B1	2/2001	Bielfeldt et al.
4,990,352 A	2/1991	Newman et al.	D438,794 S	3/2001	Miles et al.
5,043,172 A	8/1991	Loizzi	6,240,832 B1	6/2001	Schmed et al.
5,072,660 A	12/1991	Helbling	6,245,371 B1	6/2001	Gutwein et al.
5,082,676 A	1/1992	Love et al.	D445,674 S	7/2001	Pritchett
5,108,768 A	4/1992	So	D445,677 S	7/2001	Lindsay et al.
5,134,924 A	8/1992	Vicker	6,289,948 B1	9/2001	Jeannin et al.
5,150,645 A	9/1992	Schiettecatte	D450,240 S	11/2001	Haag et al.
5,178,058 A	1/1993	van Dort et al.	D452,433 S	12/2001	Lazaris
5,197,374 A	3/1993	Fond	D452,434 S	12/2001	Sweeney
D335,531 S *	5/1993	Kunze et al. .... D23/366	6,347,725 B1	2/2002	Yoakim et al.
5,230,867 A *	7/1993	Kunze et al. .... 422/123	6,358,545 B1	3/2002	Chandler et al.
			6,405,637 B1	6/2002	Cai
			6,440,256 B1	8/2002	Gordon et al.
			D462,865 S	9/2002	Honan et al.
			D462,900 S	9/2002	Yamada et al.

(56)

References Cited

U.S. PATENT DOCUMENTS

D465,154 S	11/2002	O'Brien	7,921,766 B2	4/2011	Halliday et al.
6,499,388 B2	12/2002	Schmed	D637,484 S	5/2011	Winkler
D474,110 S	5/2003	Sweeney	D638,290 S	5/2011	Cimmerer et al.
D474,111 S	5/2003	Lazaris	D640,100 S	6/2011	Shing
6,589,577 B2	7/2003	Lazaris et al.	D640,547 S	6/2011	Guillemin et al.
6,606,938 B2	8/2003	Taylor	D641,592 S	7/2011	Davis
6,607,762 B2	8/2003	Lazaris et al.	D642,454 S	8/2011	Santoiemmo
6,612,224 B2	9/2003	Mercier et al.	D645,340 S	9/2011	Menard et al.
6,644,173 B2	11/2003	Lazaris et al.	8,025,210 B2	9/2011	Johnson et al.
6,645,537 B2	11/2003	Sweeney et al.	D647,398 S	10/2011	Winkler
6,648,163 B2 *	11/2003	Porter et al. .... 220/359.2	D647,399 S	10/2011	Winkler
6,655,260 B2	12/2003	Lazaris et al.	D649,038 S	11/2011	Cimmerer et al.
6,658,989 B2	12/2003	Sweeney et al.	D649,870 S	12/2011	Cometto
6,666,130 B2	12/2003	Taylor et al.	D651,096 S *	12/2011	Nakagiri ..... D9/707
6,672,200 B2	1/2004	Duffy et al.	8,109,200 B2	2/2012	Hansen
6,698,228 B2	3/2004	Kateman et al.	8,151,694 B2	4/2012	Jacobs et al.
6,698,333 B2	3/2004	Halliday et al.	D658,493 S	5/2012	Cometto
6,708,600 B2	3/2004	Winkler et al.	8,168,247 B2	5/2012	Halliday et al.
D489,215 S	5/2004	Honan et al.	8,307,754 B2	11/2012	Ternite et al.
6,740,345 B2	5/2004	Cai	8,361,527 B2	1/2013	Winkler et al.
6,758,130 B2	7/2004	Sargent et al.	8,425,964 B2	4/2013	Dogliani Majer
6,786,134 B2	9/2004	Green	D682,675 S	5/2013	Rapparini
6,786,136 B2	9/2004	Cirigliano et al.	D685,631 S	7/2013	Rapparini
6,810,788 B2	11/2004	Hale	D689,768 S	9/2013	Inderbitzin
6,832,542 B2	12/2004	Hu et al.	D695,111 S *	12/2013	Hansen et al. .... D9/429
6,849,285 B2	2/2005	Masek et al.	D698,649 S	2/2014	Quint
D502,362 S	3/2005	Lazaris et al.	D700,839 S *	3/2014	O'Brien et al. .... D9/429
D506,926 S	7/2005	Halliday et al.	D703,035 S	4/2014	Zanetti
6,935,222 B2	8/2005	Chen et al.	D703,039 S	4/2014	Hansen
6,941,855 B2	9/2005	Denisart et al.	D705,064 S	5/2014	Sy
6,948,420 B2	9/2005	Kirschner et al.	D707,489 S *	6/2014	Hertaus ..... D7/400
D510,679 S	10/2005	Smith et al.	D708,057 S	7/2014	Hansen
D511,965 S	11/2005	Luc	D710,686 S *	8/2014	Gowens ..... D9/429
D513,152 S	12/2005	Cahen	D713,259 S *	9/2014	Naef et al. .... D9/600
D513,572 S	1/2006	Schaffeld et al.	D715,649 S	10/2014	O'Brien
D519,831 S	5/2006	de Cleir et al.	D716,648 S *	11/2014	Tan ..... D9/416
D520,185 S	5/2006	Zeng et al.	8,906,440 B2 *	12/2014	Otto ..... 426/433
7,063,238 B2	6/2006	Hale	D723,868 S	3/2015	Hertaus
7,165,488 B2	1/2007	Bragg et al.	2001/0047724 A1	12/2001	Lazaris et al.
D539,643 S	4/2007	Abel	2001/0048957 A1	12/2001	Lazaris et al.
7,213,506 B2	5/2007	Halliday et al.	2002/0015768 A1	2/2002	Masek et al.
7,219,598 B2	5/2007	Halliday et al.	2002/0020659 A1	2/2002	Sweeney et al.
D544,299 S	6/2007	Schaffeld et al.	2002/0023543 A1	2/2002	Schmed
7,243,598 B2	7/2007	Halliday et al.	2002/0048621 A1	4/2002	Boyd et al.
7,255,039 B2	8/2007	Halliday et al.	2002/0078831 A1	6/2002	Cai
7,287,461 B2	10/2007	Halliday et al.	2002/0088807 A1	7/2002	Perkovic et al.
7,308,851 B2	12/2007	Halliday et al.	2002/0121197 A1	9/2002	Mercier et al.
7,322,277 B2	1/2008	Halliday et al.	2002/0121198 A1	9/2002	Kollep et al.
7,325,479 B2	2/2008	Laigneau et al.	2002/0129712 A1	9/2002	Westbrook et al.
7,328,651 B2	2/2008	Halliday et al.	2002/0134249 A1	9/2002	Melton
7,335,387 B2	2/2008	Hayes et al.	2002/0144603 A1	10/2002	Taylor
7,347,138 B2	3/2008	Bragg et al.	2002/0144604 A1	10/2002	Winkler et al.
7,360,418 B2	4/2008	Pelovitz	2002/0148356 A1	10/2002	Lazaris et al.
7,377,162 B2	5/2008	Lazaris	2002/0148357 A1	10/2002	Lazaris et al.
7,398,726 B2	7/2008	Streeter et al.	2002/0185010 A1	12/2002	Spiteri
7,418,899 B2	9/2008	Halliday et al.	2003/0005826 A1	1/2003	Sargent et al.
7,444,925 B2	11/2008	Mahlich	2003/0039731 A1	2/2003	Dalton et al.
7,490,542 B2	2/2009	Macchi et al.	2003/0056655 A1	3/2003	Kollep et al.
7,513,192 B2	4/2009	Sullivan et al.	2003/0066431 A1	4/2003	Fanzutti et al.
7,523,695 B2	4/2009	Streeter et al.	2003/0145736 A1	8/2003	Green
D592,529 S	5/2009	Friebe et al.	2003/0172813 A1	9/2003	Schifferle
7,533,603 B2	5/2009	Halliday et al.	2003/0217643 A1	11/2003	Masek et al.
7,533,604 B2	5/2009	Halliday et al.	2003/0222089 A1	12/2003	Hale
7,552,672 B2	6/2009	Schmed	2004/0045443 A1	3/2004	Lazaris et al.
7,604,826 B2	10/2009	Denisart et al.	2004/0163543 A1	8/2004	Hu et al.
D605,502 S	12/2009	Honda et al.	2004/0228955 A1	11/2004	Denisart et al.
D606,363 S	12/2009	Aardenburg	2004/0237793 A1	12/2004	Zurcher et al.
7,640,843 B2	1/2010	Halliday et al.	2005/0051478 A1	3/2005	Karanikos et al.
7,640,845 B2	1/2010	Woodnorth et al.	2005/0150390 A1	7/2005	Schifferle
7,658,141 B2	2/2010	Masek et al.	2005/0172822 A1	8/2005	Macchi et al.
D621,698 S *	8/2010	Cometto ..... D9/424	2005/0183581 A1	8/2005	Kirschner et al.
7,793,585 B2	9/2010	Rasmussen et al.	2005/0205601 A1	9/2005	Taylor
7,815,953 B2	10/2010	Mastropasqua et al.	2005/0217213 A1	10/2005	Lozinski et al.
D628,476 S	12/2010	Vang	2005/0223904 A1	10/2005	Laigneau et al.
D628,883 S	12/2010	Stephens	2005/0241489 A1	11/2005	Kirschner et al.
			2005/0266122 A1	12/2005	Franceschi
			2005/0287251 A1	12/2005	Lazaris et al.
			2006/0107841 A1	5/2006	Schifferle
			2006/0174773 A1	8/2006	Taylor

(56)

References Cited

U.S. PATENT DOCUMENTS

2006/0236871	A1	10/2006	Ternite et al.
2006/0292012	A1	12/2006	Brudevold et al.
2007/0186784	A1	8/2007	Liverani
2008/0095904	A1	4/2008	Sullivan et al.
2008/0115674	A1	5/2008	Huang et al.
2008/0134902	A1	6/2008	Zimmerman et al.
2008/0264267	A1	10/2008	Doglioni
2009/0007792	A1	1/2009	Glucksman
2009/0007793	A1	1/2009	Glucksman et al.
2009/0175986	A1	7/2009	Majer
2009/0220650	A1	9/2009	Ozanne
2010/0006205	A1	1/2010	McCowin et al.
2010/0024658	A1	2/2010	Jacobs et al.
2010/0028495	A1	2/2010	Novak et al.
2010/0043644	A1	2/2010	Suggi et al.
2010/0043645	A1	2/2010	Suggi et al.
2010/0064899	A1	3/2010	Aardenburg
2010/0072268	A1	3/2010	Johnson et al.
2010/0239733	A1	9/2010	Yoakim et al.
2010/0288131	A1	11/2010	Kilber et al.
2010/0303964	A1	12/2010	Beaulieu et al.
2011/0030563	A9	2/2011	Doglioni
2011/0076361	A1	3/2011	Peterson et al.
2011/0097450	A1	4/2011	Kruger
2011/0151075	A1	6/2011	Peterson
2011/0200726	A1	8/2011	Tinkler et al.
2011/0212225	A1	9/2011	Mariller
2011/0226343	A1	9/2011	Novak et al.
2011/0274802	A1	11/2011	Rivera
2012/0006205	A1	1/2012	Vanni
2012/0009304	A1	1/2012	Perentes et al.
2012/0118166	A1	5/2012	Macchi
2012/0308688	A1	12/2012	Peterson et al.
2012/0318810	A1	12/2012	Hodge et al.
2012/0321748	A1	12/2012	Otto et al.
2012/0321756	A1	12/2012	Estabrook et al.
2013/0059039	A1	3/2013	Trombetta et al.
2013/0101716	A1	4/2013	Beaulieu et al.
2013/0108739	A1*	5/2013	Markoulis et al. .... 426/87
2013/0156897	A1*	6/2013	Goldstein ..... 426/115
2014/0130678	A1	5/2014	Frydman
2014/0141140	A1*	5/2014	Bugnano et al. .... 426/431
2014/0161937	A1	6/2014	Rondelli
2014/0234494	A1	8/2014	Doglioni Majer
2014/0318380	A1	10/2014	Doglioni Majer
2014/0373725	A1	12/2014	Mastropasqua et al.
2015/0001100	A1	1/2015	Bartoli et al.
2015/0050391	A1	2/2015	Rapparini
2015/0072057	A1	3/2015	Bugnano et al.

FOREIGN PATENT DOCUMENTS

CA	2701826	1/2009
DE	2029552	12/1971
DE	3432339	3/1986
EP	0272922	6/1988
EP	0334571	9/1989
EP	0334572	9/1989
EP	0451980	10/1991
EP	0455337	11/1991
EP	0524464	1/1993
EP	554469	8/1993
EP	0638486	2/1995
EP	1042978	10/2000
EP	1208782	5/2002

EP	1255685	11/2002
EP	1440644	7/2004
EP	1440913	7/2004
EP	1529739	5/2005
EP	1580143	9/2005
EP	1792849	6/2007
EP	2119640	11/2009
EP	2230195	9/2010
EP	2239212	10/2010
EP	2284102	2/2011
EP	2287090	2/2011
EP	2404844	1/2012
FR	2946854	12/2010
GB	838829	6/1960
GB	2023086	12/1979
GB	2488799	9/2012
GB	2489409	10/2012
GB	2491154	11/2012
JP	2000355375	12/2000
JP	2001061663	3/2001
JP	2009517158	4/2009
WO	0158786	8/2001
WO	0160219	8/2001
WO	0160220	8/2001
WO	0160712	8/2001
WO	02058522	8/2002
WO	02074143	9/2002
WO	02074661	9/2002
WO	02082962	10/2002
WO	03059778	7/2003
WO	03073896	9/2003
WO	2004006740	1/2004
WO	2004083071	9/2004
WO	2006008243	1/2006
WO	2006030461	3/2006
WO	2007095294	8/2007
WO	2007122144	11/2007
WO	2008116818	10/2008
WO	2008136026	11/2008
WO	2009110783	9/2009
WO	2009115475	9/2009
WO	2010138563	2/2010
WO	2010038213	4/2010
WO	2010046923	4/2010
WO	2010085824	5/2010
WO	2010093246	8/2010
WO	2010106516	9/2010
WO	2010115970	10/2010
WO	2010128844	11/2010
WO	2010134036	11/2010
WO	2010137952	12/2010
WO	2012122329	9/2012
WO	2012127233	9/2012
WO	2012160342	11/2012

OTHER PUBLICATIONS

U.S. Appl. No. 13/612,487, filed Sep. 12, 2012, entitled Cartridges, Systems and Methods for Preparation of Beverages, 30 pages.  
 U.S. Appl. No. 29/431,998, filed Sep. 12, 2012, entitled "Beverage Cartridge," 9 pages.  
 U.S. Appl. No. 29/431,718, filed Sep. 10, 2012, entitled "Beverage Cartridge," 18 pages.  
 U.S. Appl. No. 29/433,078, filed Sep. 25, 2012, entitled "Beverage Cartridge," 13 pages.  
 U.S. Appl. No. 29/431,716, filed Sep. 10, 2012, entitled "Beverage Cartridge," 12 pages.

\* cited by examiner

FIG. 1

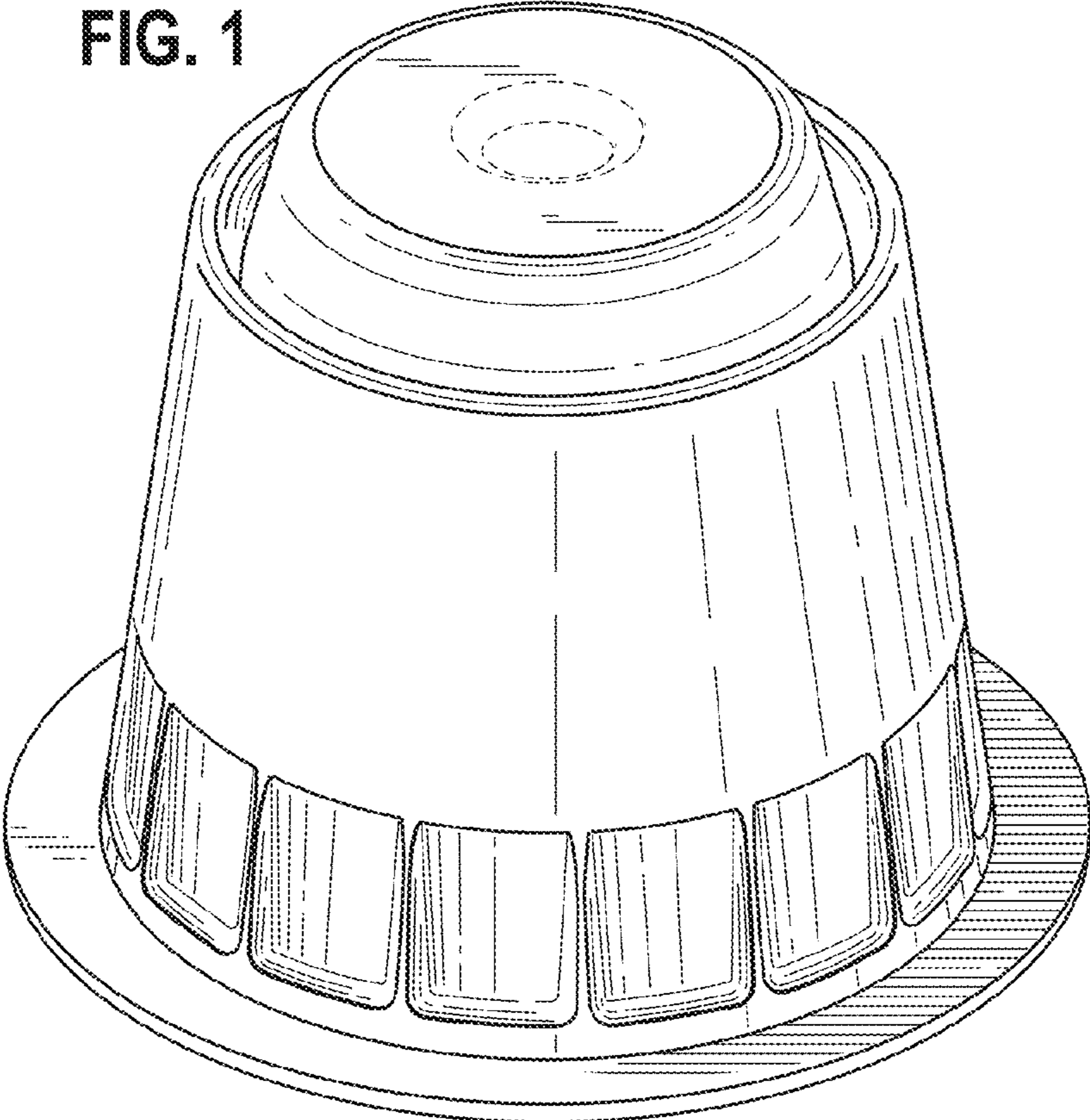


FIG. 2

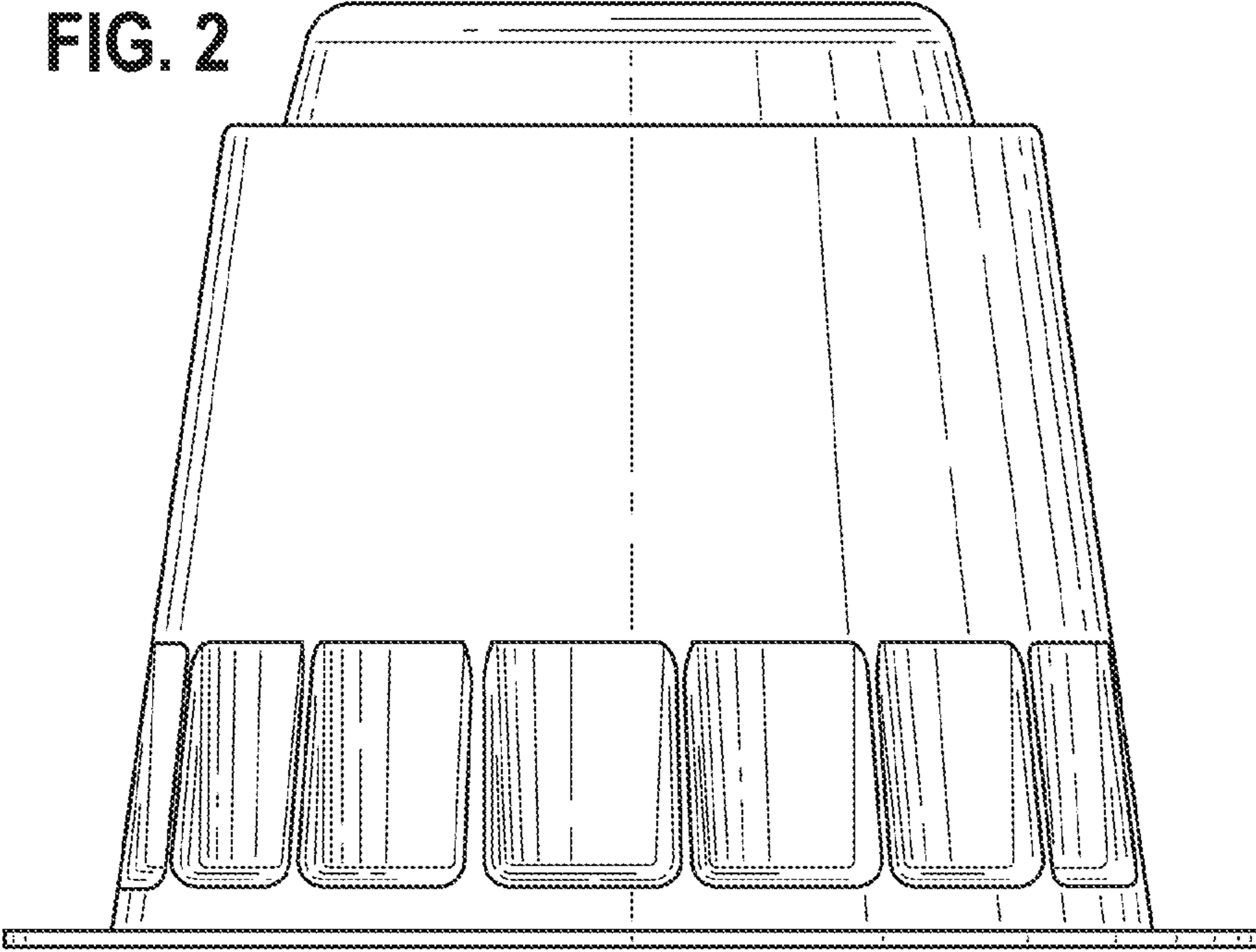


FIG. 3

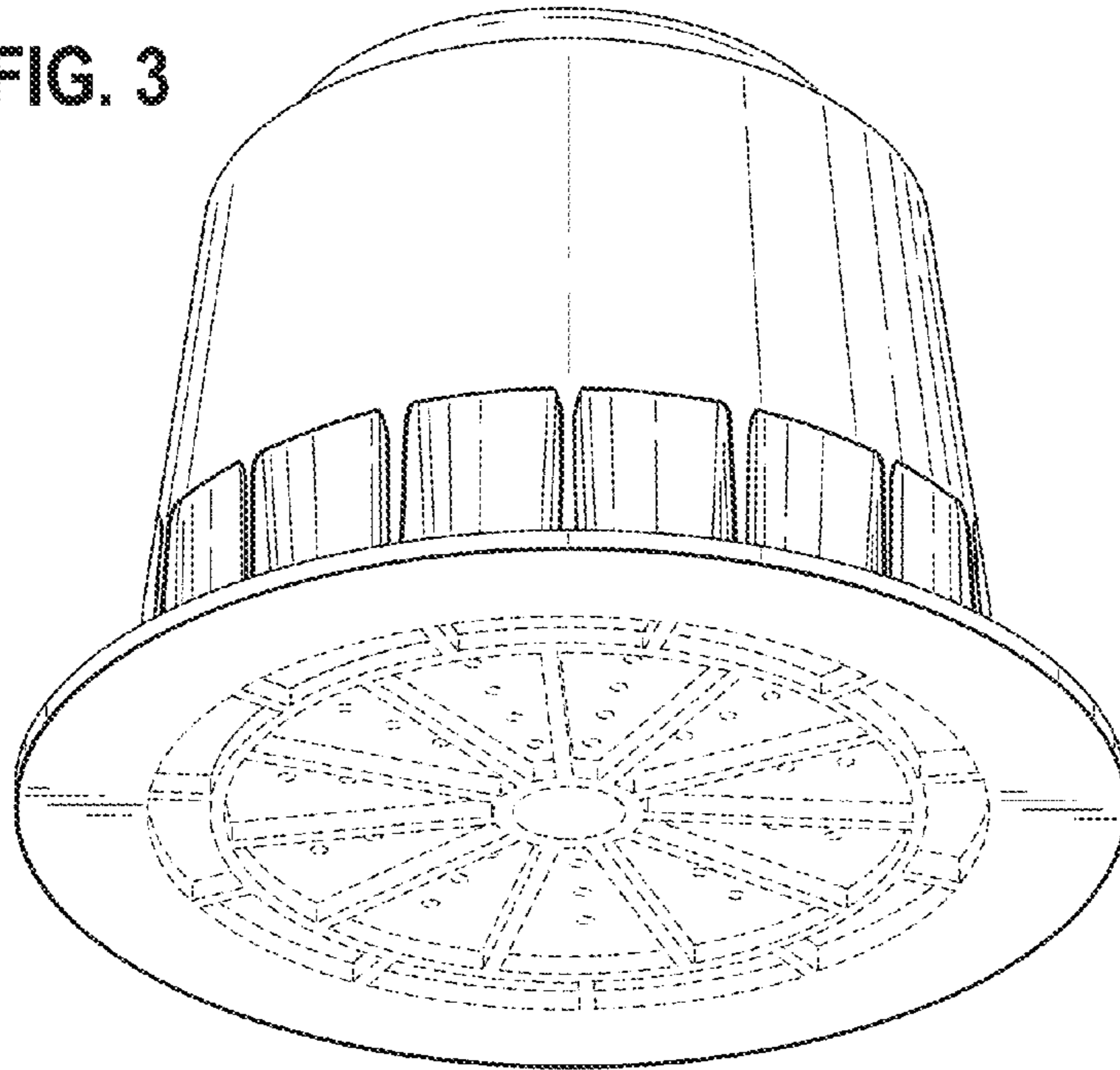


FIG. 4

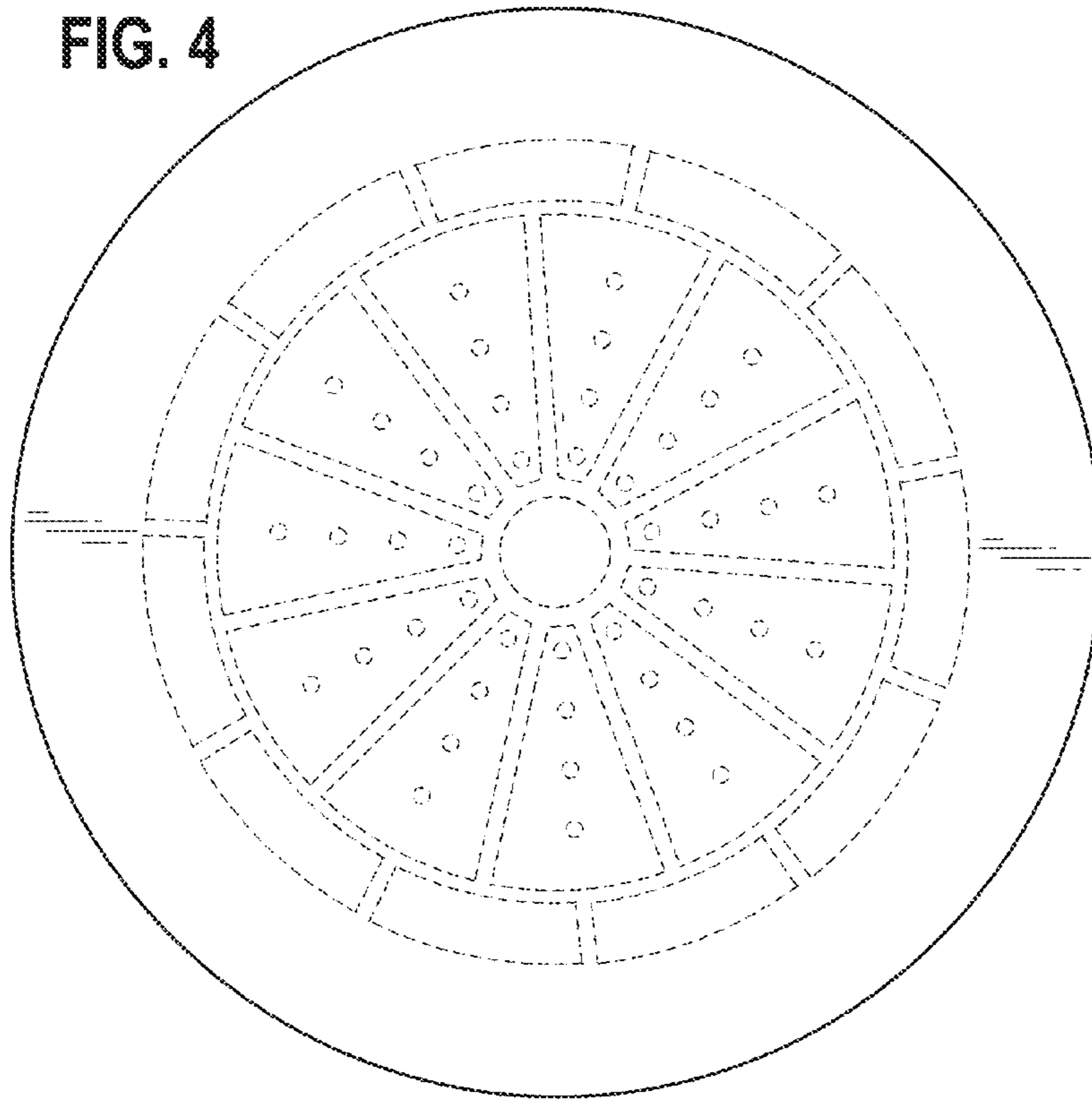


FIG. 5

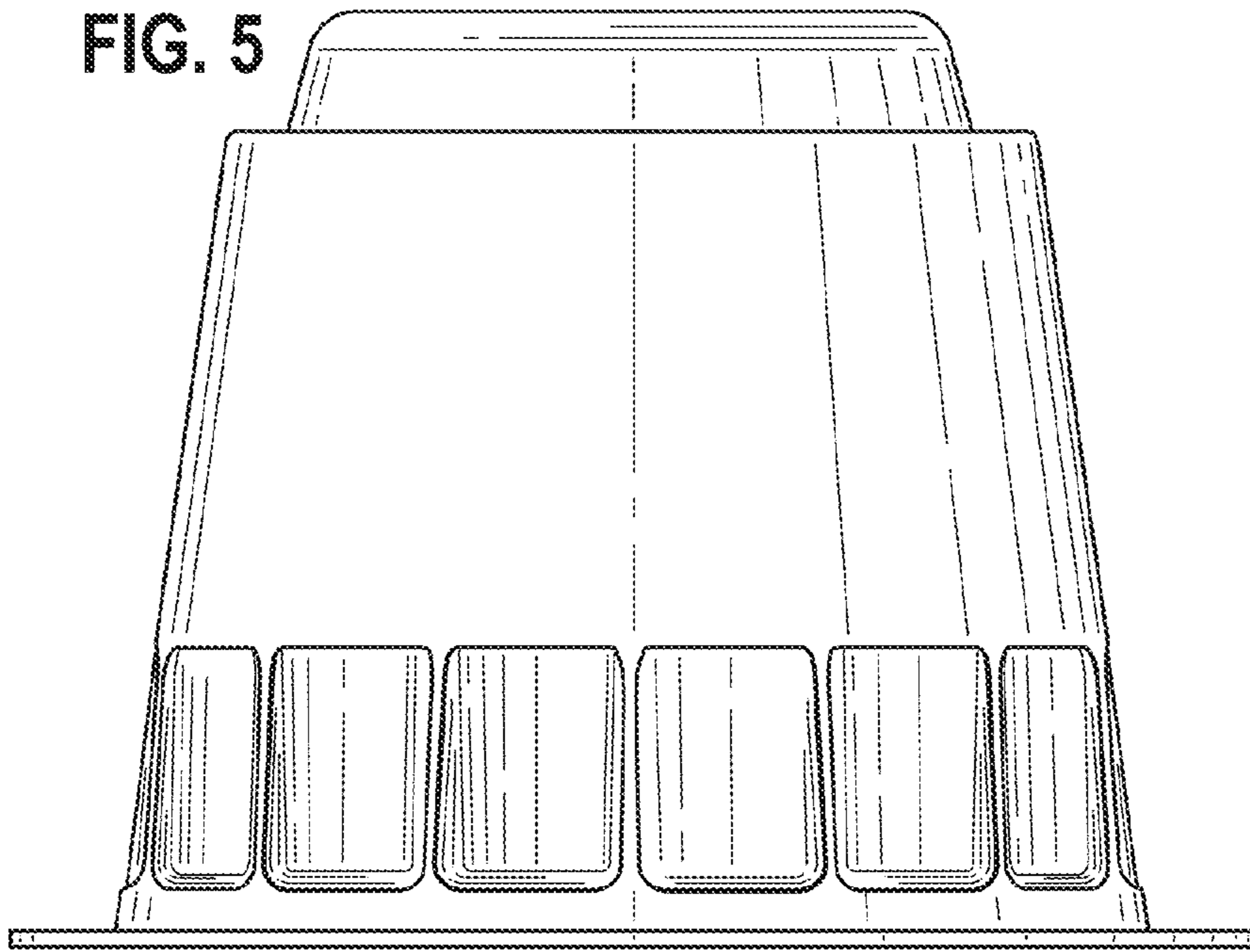


FIG. 6

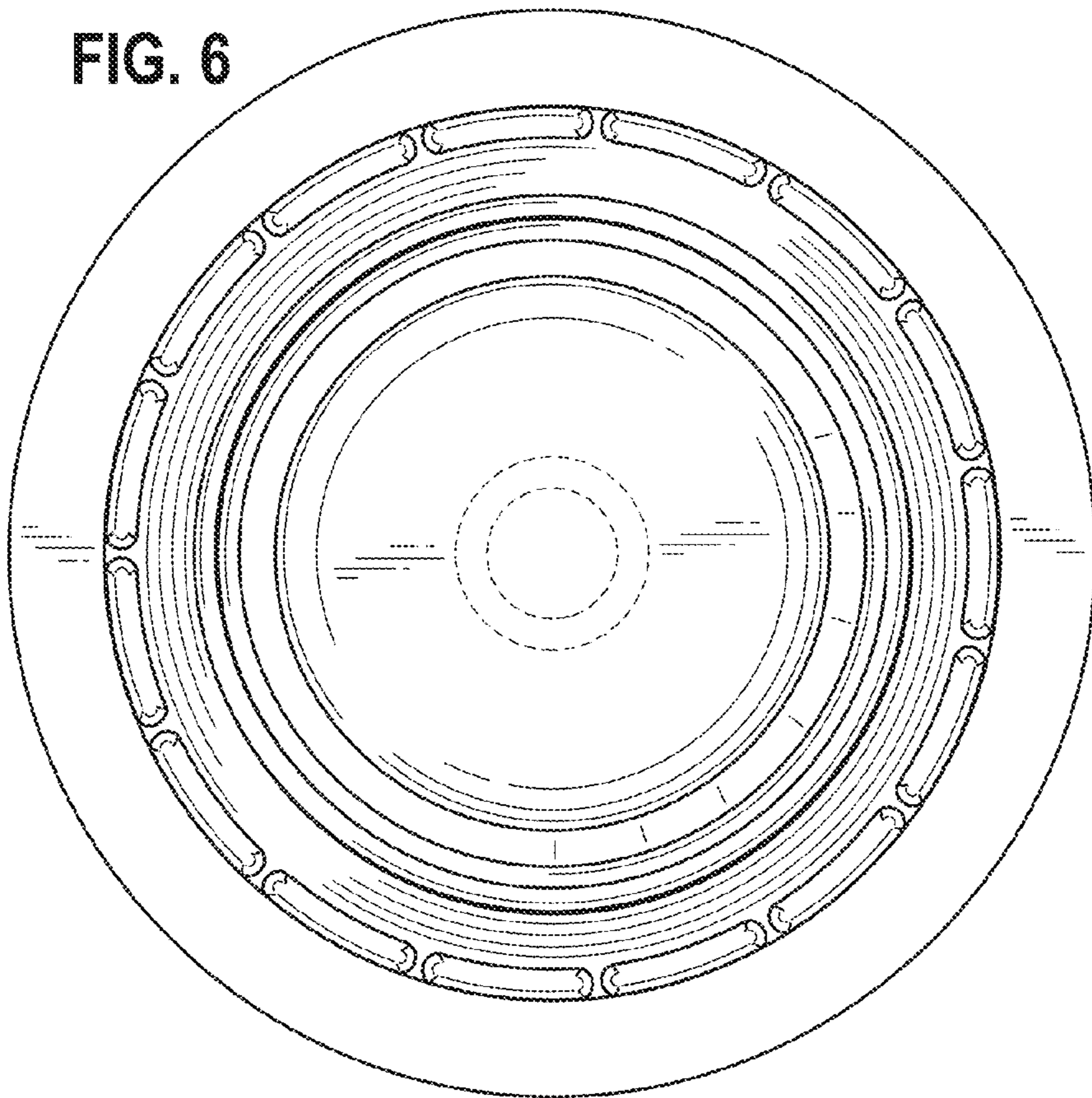


FIG. 7

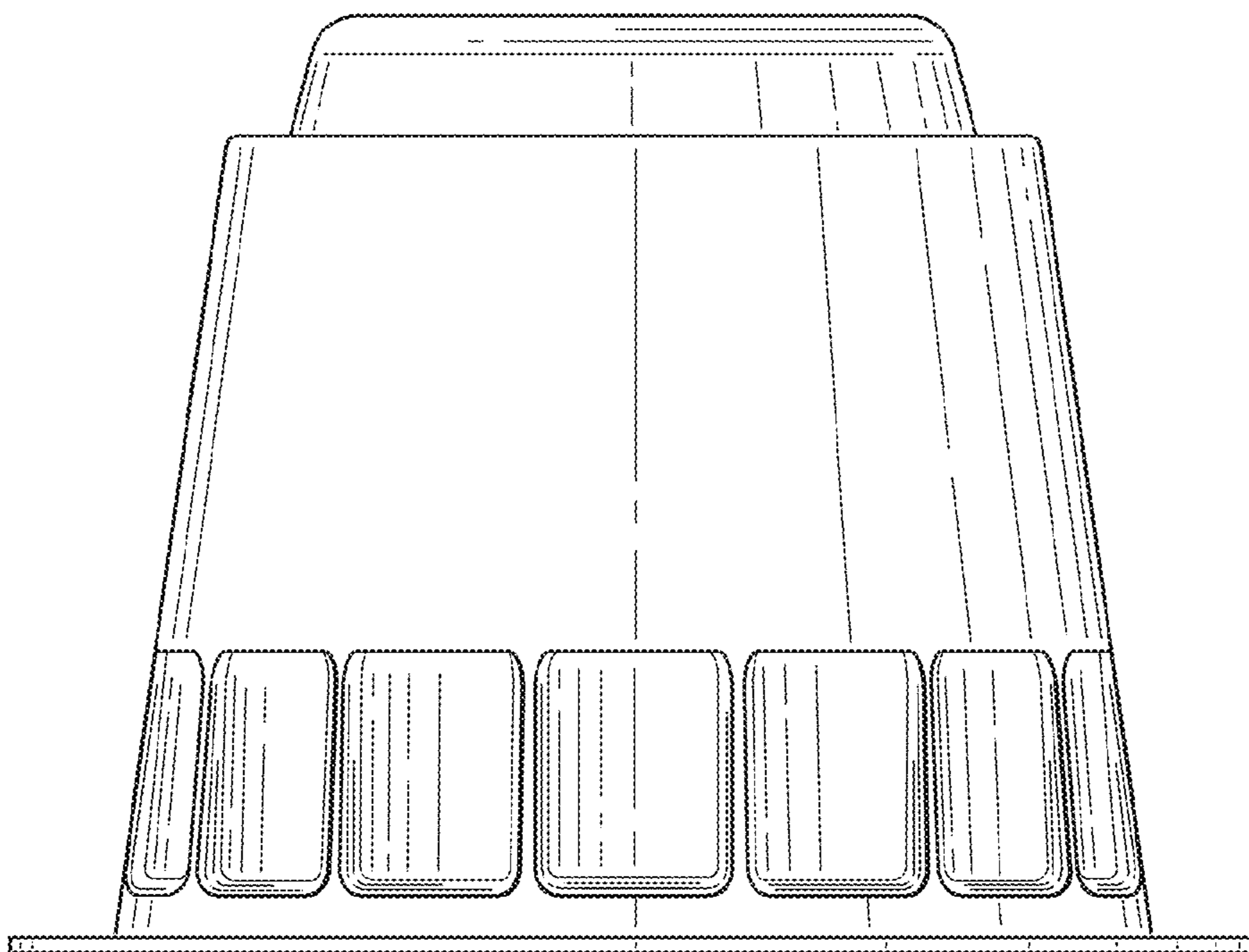


FIG. 8

