



US00D743251S

(12) **United States Design Patent**  
**Penn**

(10) **Patent No.:** **US D743,251 S**

(45) **Date of Patent:** **\*\* Nov. 17, 2015**

(54) **CONTAINER**

(71) Applicant: **Good Foods Group, LLC**, Pleasant Prairie, WI (US)

(72) Inventor: **Kurt B. Penn**, Glenview, IL (US)

(73) Assignee: **GOOD FOODS GROUP, LLC**, Pleasant Prairie, WI (US)

(\*\*) Term: **14 Years**

(21) Appl. No.: **29/501,881**

(22) Filed: **Sep. 9, 2014**

(51) **LOC (10) Cl.** ..... **09-03**

(52) **U.S. Cl.**  
USPC ..... **D9/428; D7/538**

(58) **Field of Classification Search**  
USPC ..... D3/314, 201, 307; 220/608, 4.23, 4.22, 220/4.24; 206/544, 520; D9/425, 707, 452, D9/429, 453, 419, 426, 428, 424, 427, 430, D9/432; D7/542, 538, 500, 543, 360, 361, D7/601, 602, 701-708, 354, 355-358, 587, D7/554.3

CPC ..... B65D 2543/00351  
See application file for complete search history.

(56) **References Cited**

**U.S. PATENT DOCUMENTS**

D379,431 S *	5/1997	Mangla	.....	D9/429
D394,807 S *	6/1998	Krupa et al.	.....	D9/429
D409,910 S *	5/1999	Hayes et al.	.....	D9/429
D439,160 S *	3/2001	Abayhan et al.	.....	D9/429
D447,688 S *	9/2001	Jalet et al.	.....	D9/425
D502,095 S *	2/2005	Tucker et al.	.....	D9/425
D585,735 S *	2/2009	Vovan et al.	.....	D9/426
D611,303 S *	3/2010	Cimmerer et al.	.....	D7/538

7,823,746 B1 *	11/2010	McCumber	.....	220/780
D628,479 S *	12/2010	Snedden et al.	.....	D9/431
D630,940 S *	1/2011	Shapiro et al.	.....	D9/428
D638,701 S *	5/2011	Shapiro et al.	.....	D9/428
D640,544 S *	6/2011	Sifuentes et al.	.....	D9/425
D649,033 S *	11/2011	Epstein	.....	D9/425
D671,373 S *	11/2012	Kimmel et al.	.....	D7/629
D681,447 S *	5/2013	Schulter et al.	.....	D9/426
D681,451 S *	5/2013	Kui	.....	D9/432
D686,920 S *	7/2013	Cassius et al.	.....	D9/636
D690,194 S *	9/2013	Snedden et al.	.....	D9/425
D706,131 S *	6/2014	Brooks et al.	.....	D9/428
D718,983 S *	12/2014	Yessin et al.	.....	D7/629

\* cited by examiner

*Primary Examiner* — Philip S Hyder

*Assistant Examiner* — Keith Frank

(74) *Attorney, Agent, or Firm* — DLA Piper LLP (US); R. Blake Johnston

(57) **CLAIM**

The ornamental design for a container, as shown and described.

**DESCRIPTION**

FIG. 1 is a perspective view of the first embodiment of a container with the lid attached to the base showing my new design;

FIG. 2 is an exploded perspective view thereof;

FIG. 3 is a front elevational view of FIG. 1;

FIG. 4 is a rear elevational view thereof;

FIG. 5 is a left side elevational view thereof;

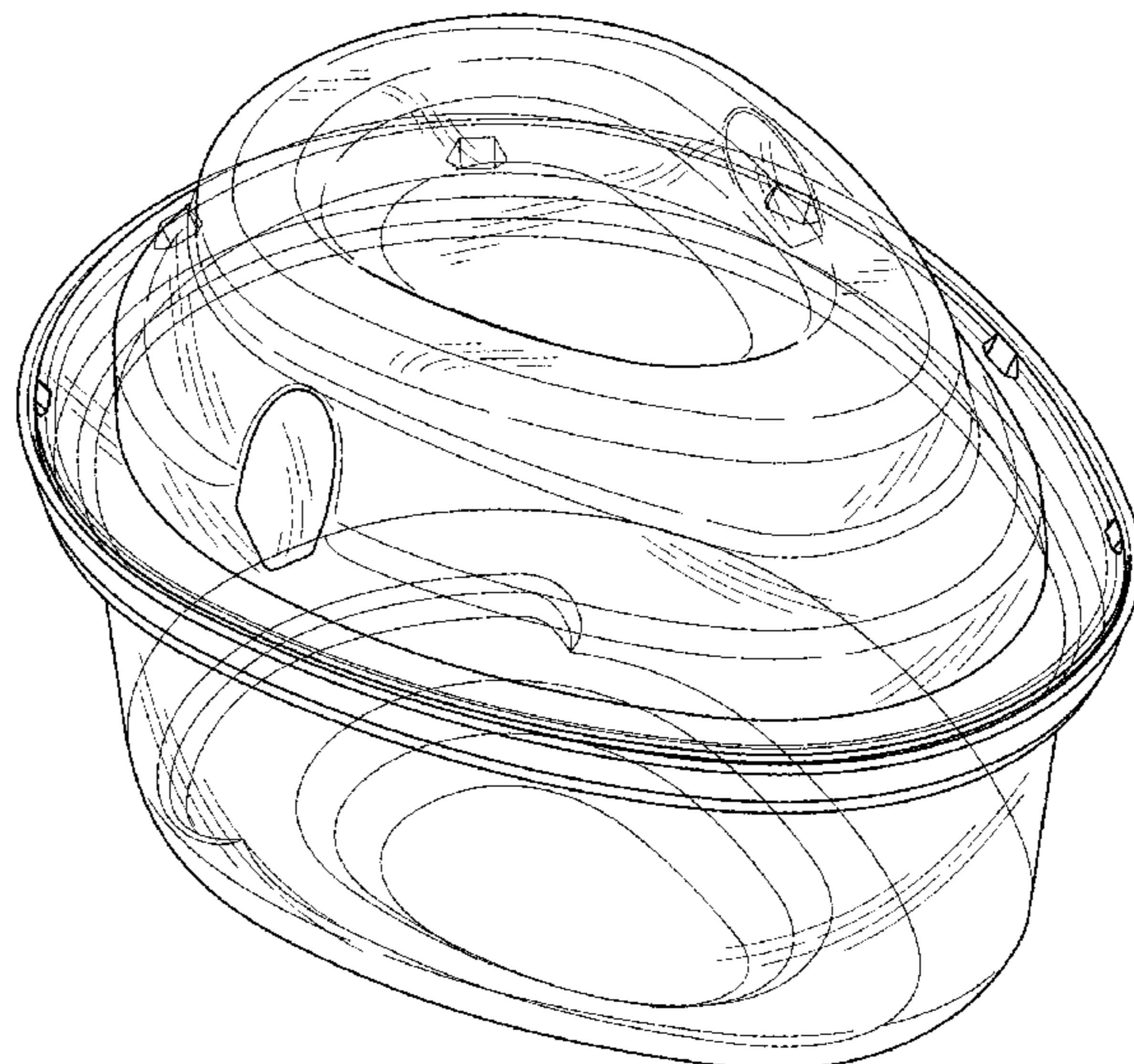
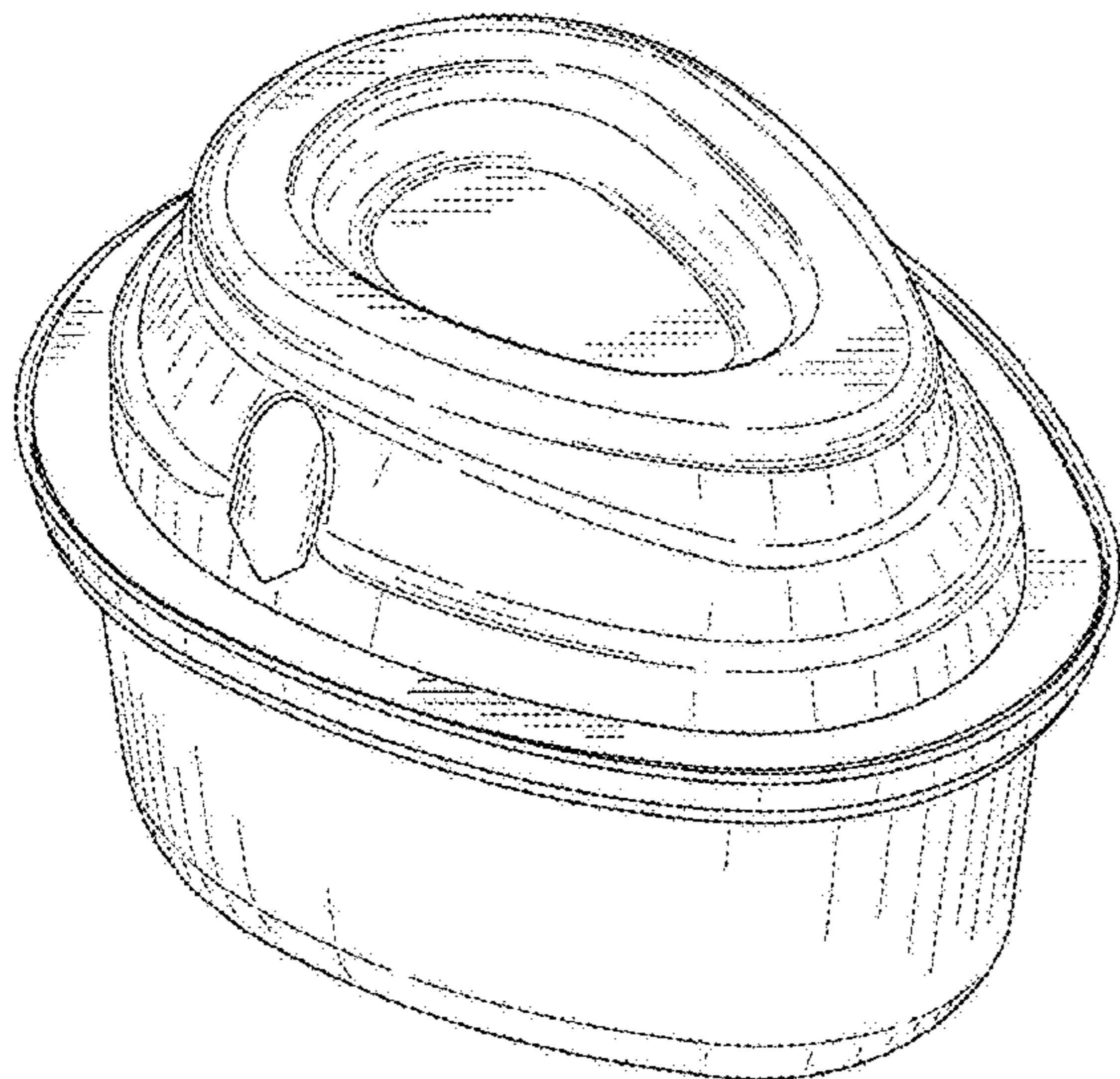
FIG. 6 is a right side elevational view thereof;

FIG. 7 is a top plan view thereof;

FIG. 8 is a bottom plan view thereof; and,

FIG. 9 is a perspective view of a second embodiment shown as transparent thereof.

**1 Claim, 7 Drawing Sheets**



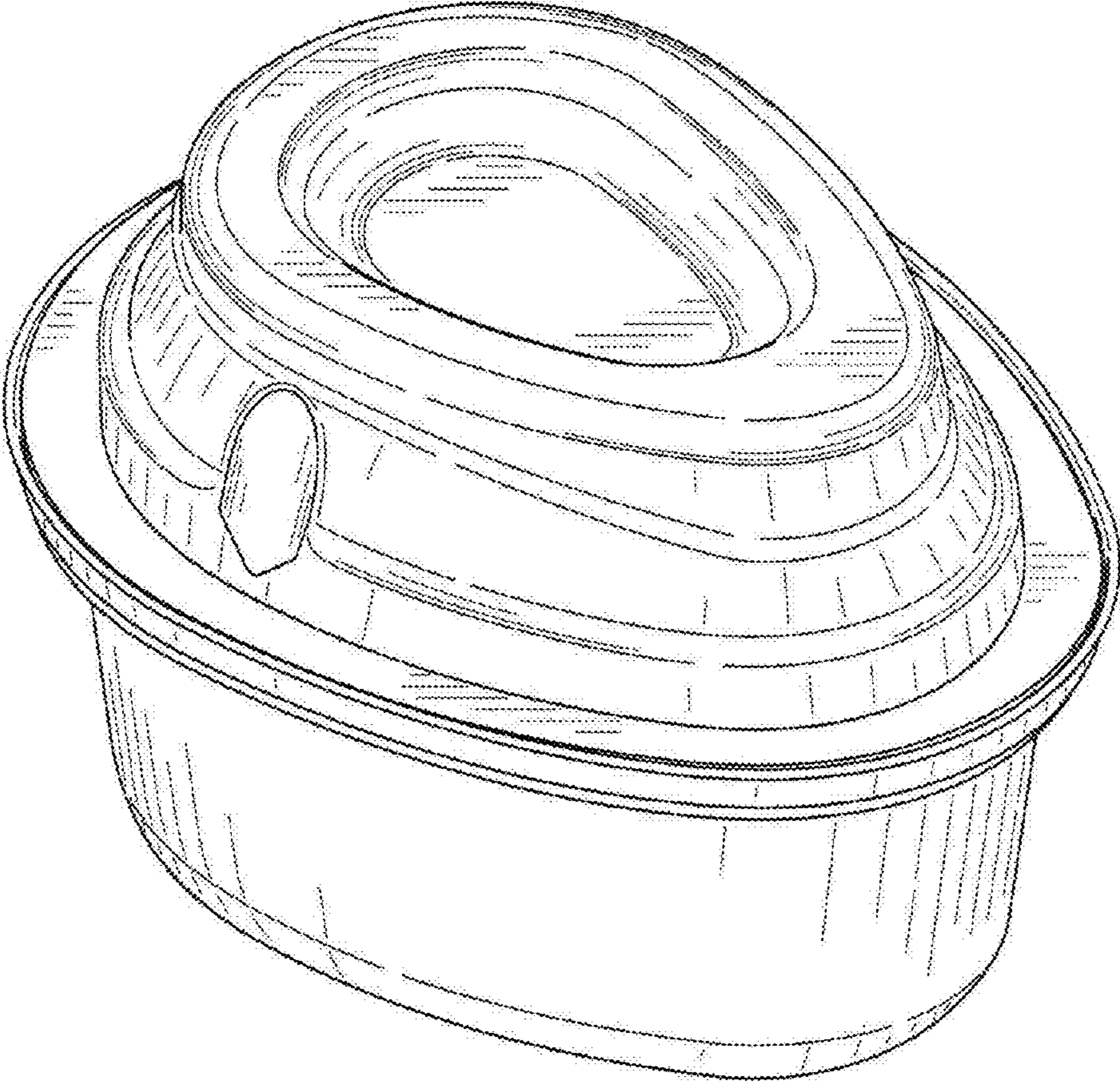


FIG. 1

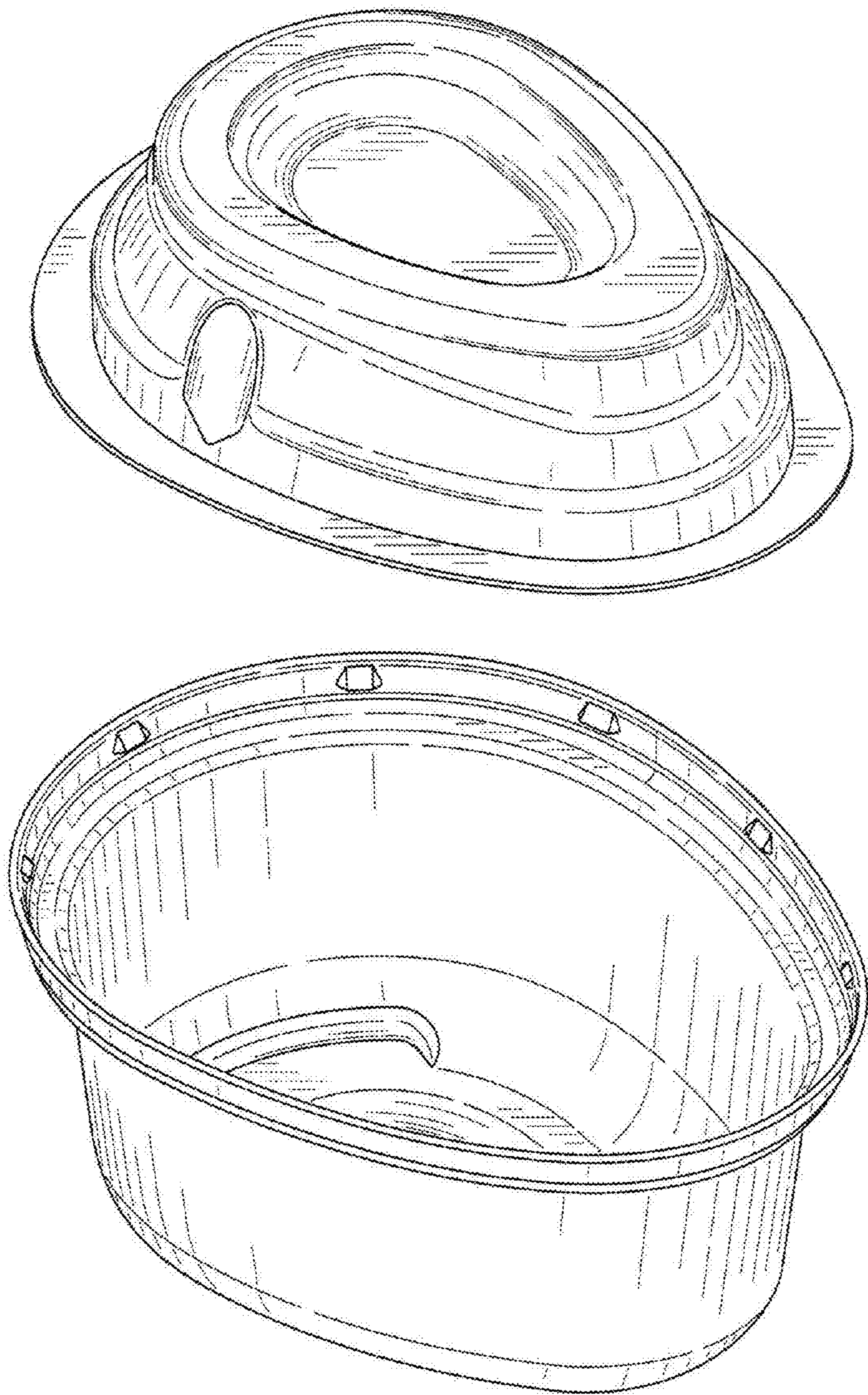


FIG. 2

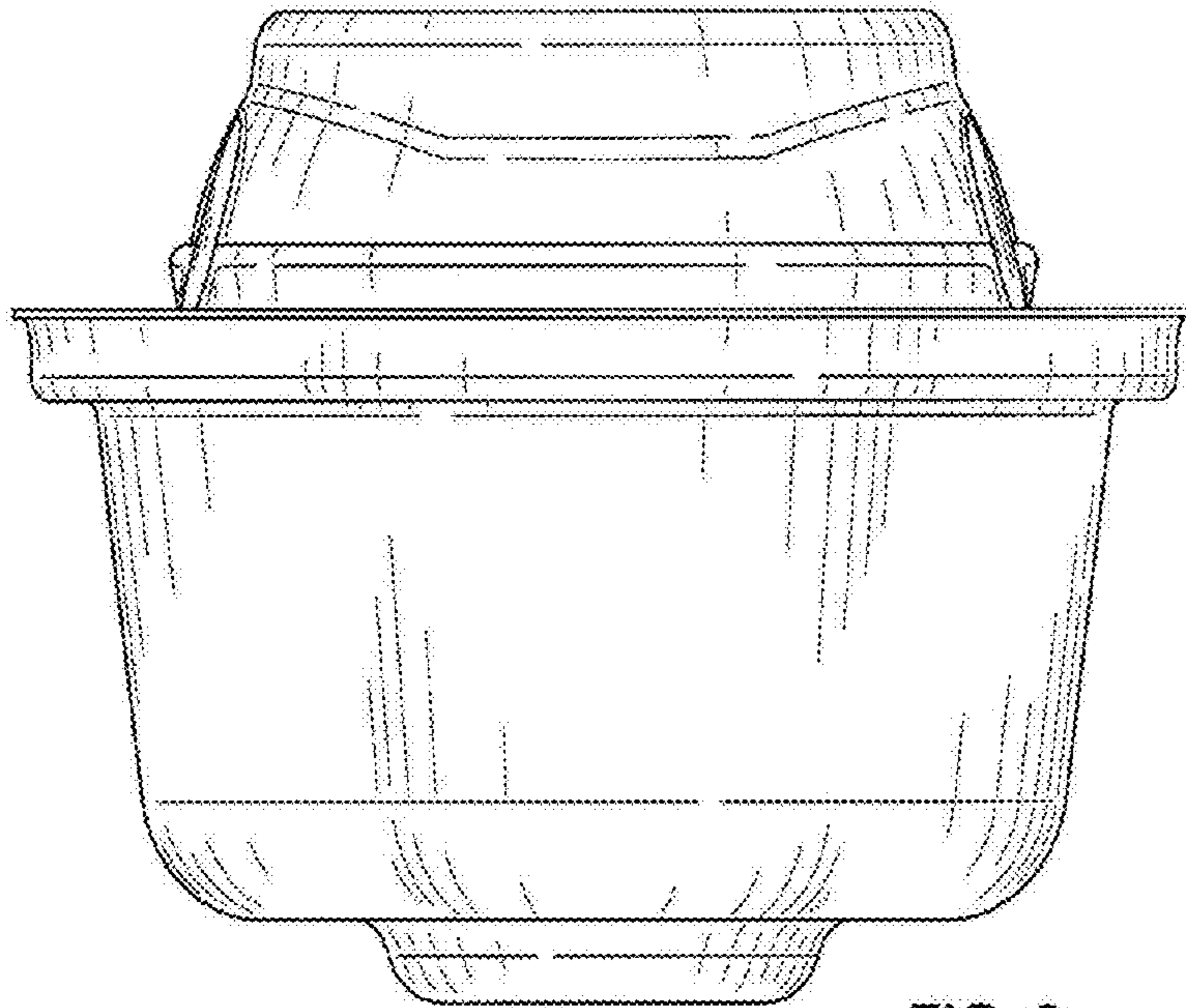


FIG. 3

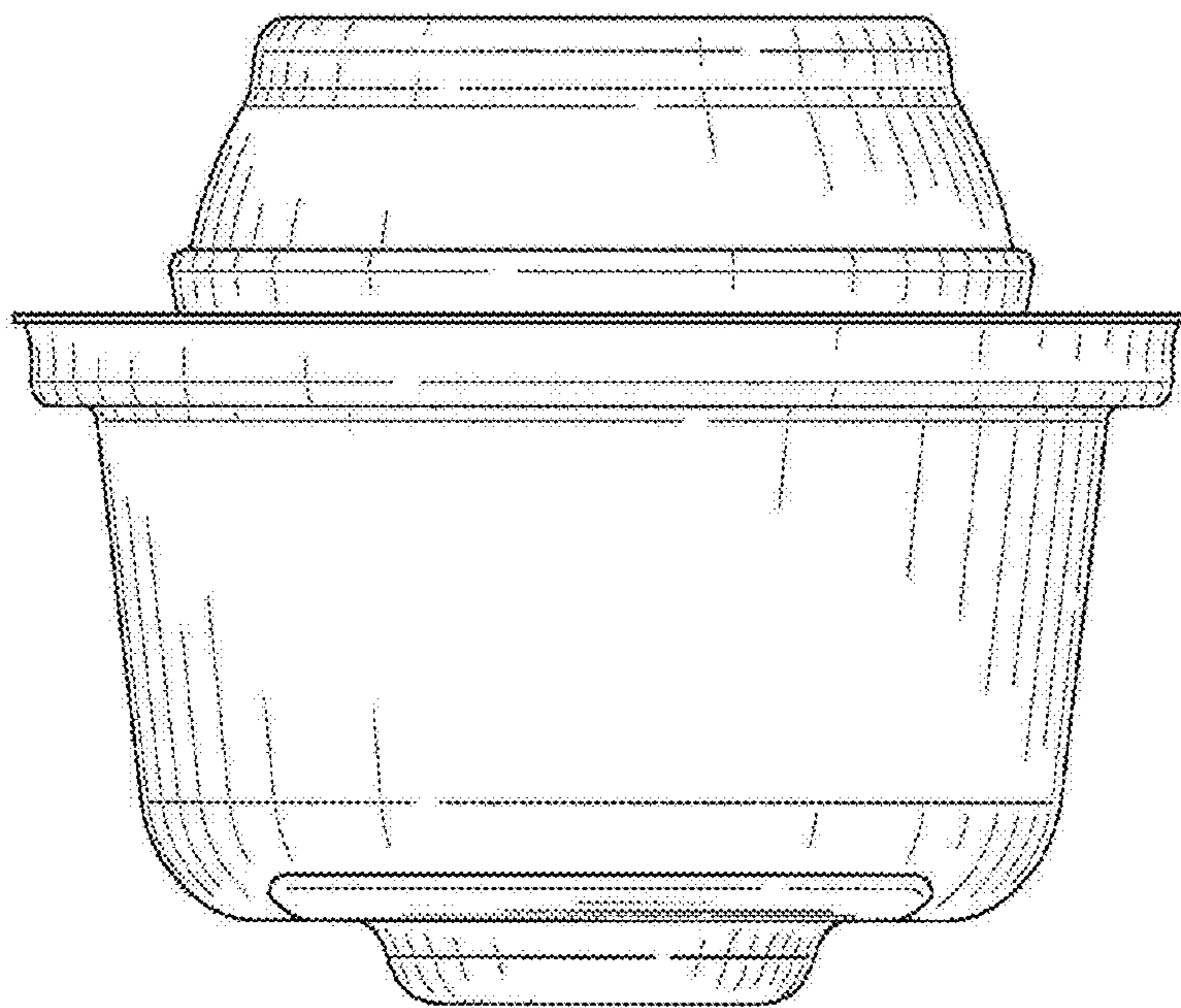


FIG. 4

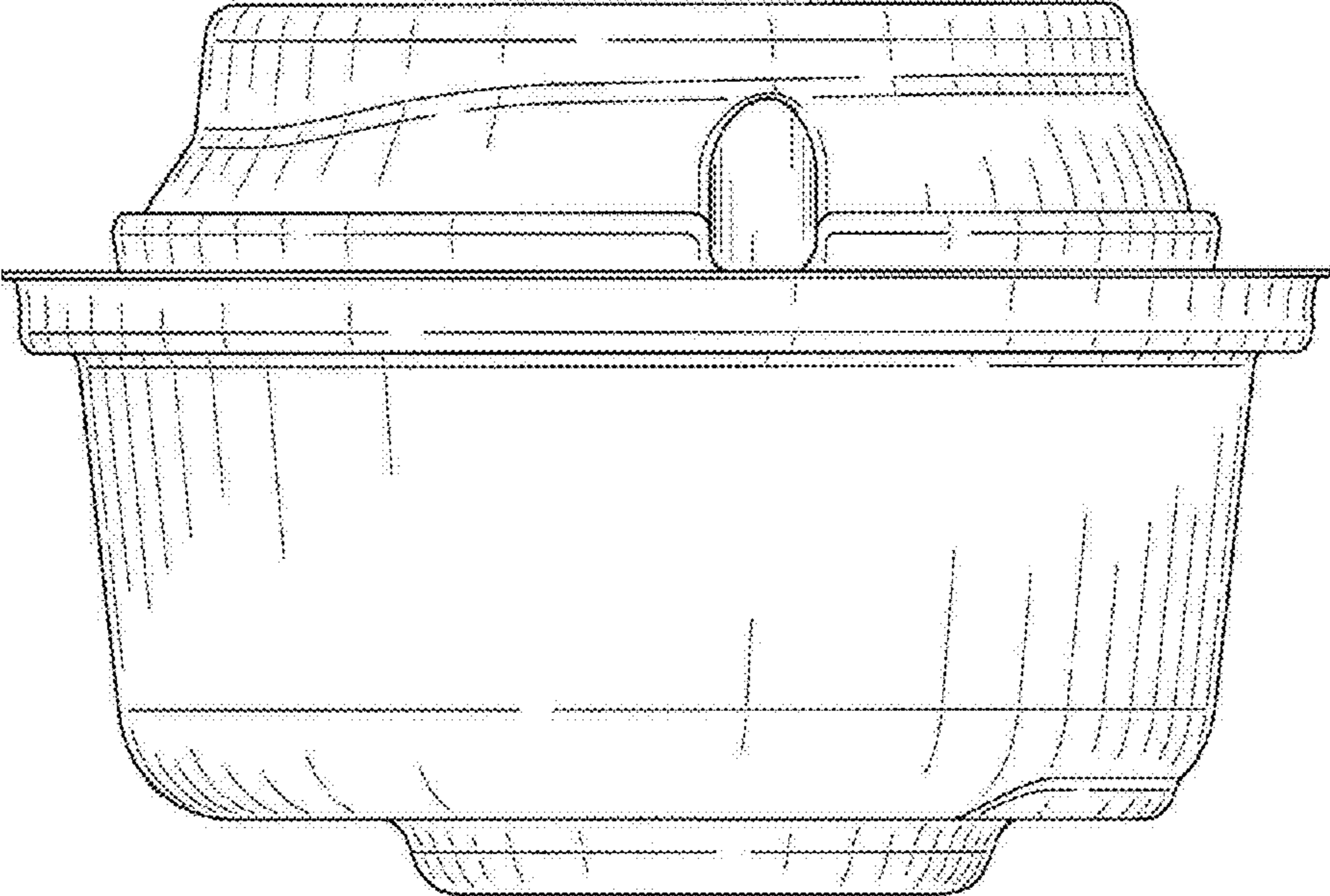


FIG. 5

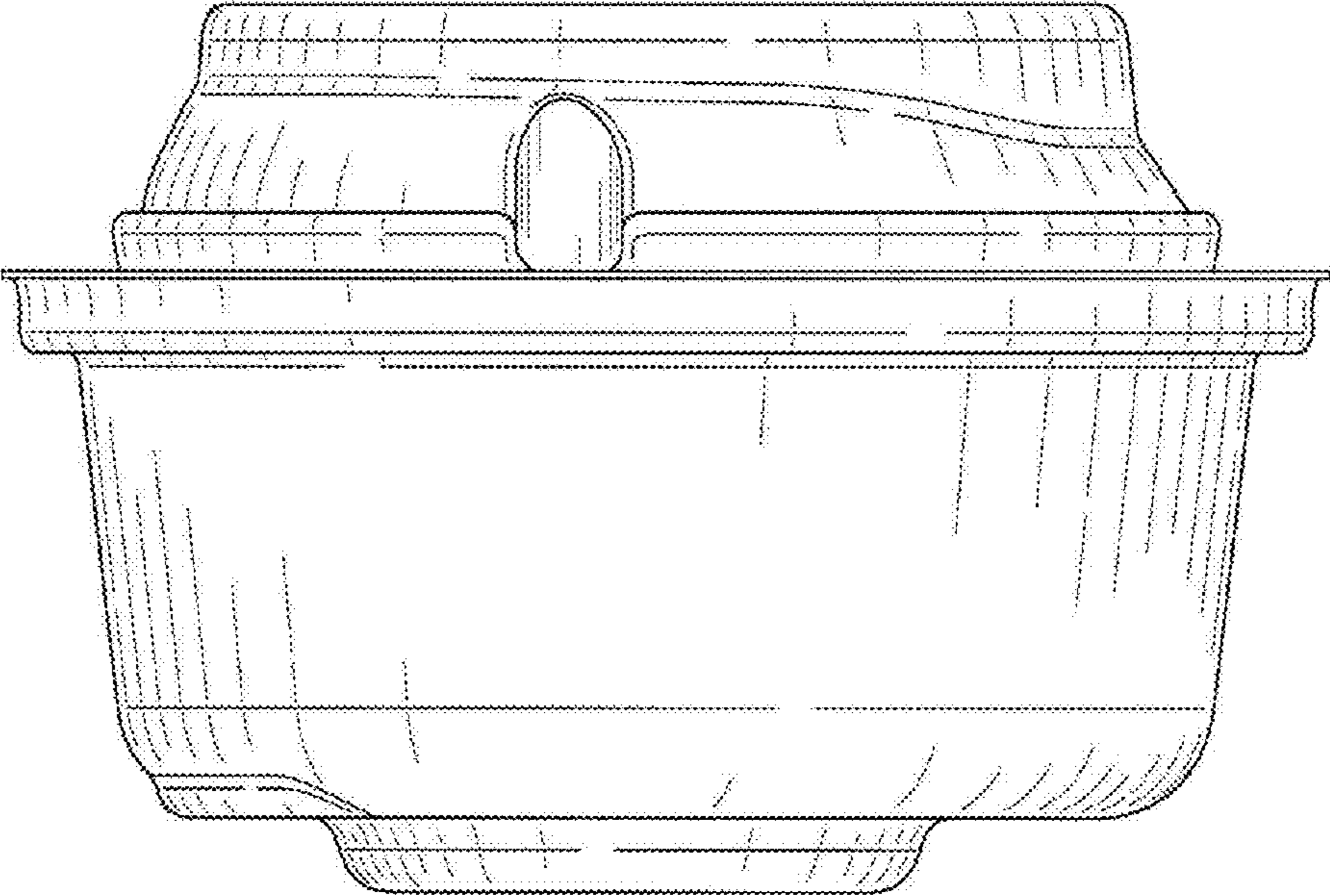


FIG. 6

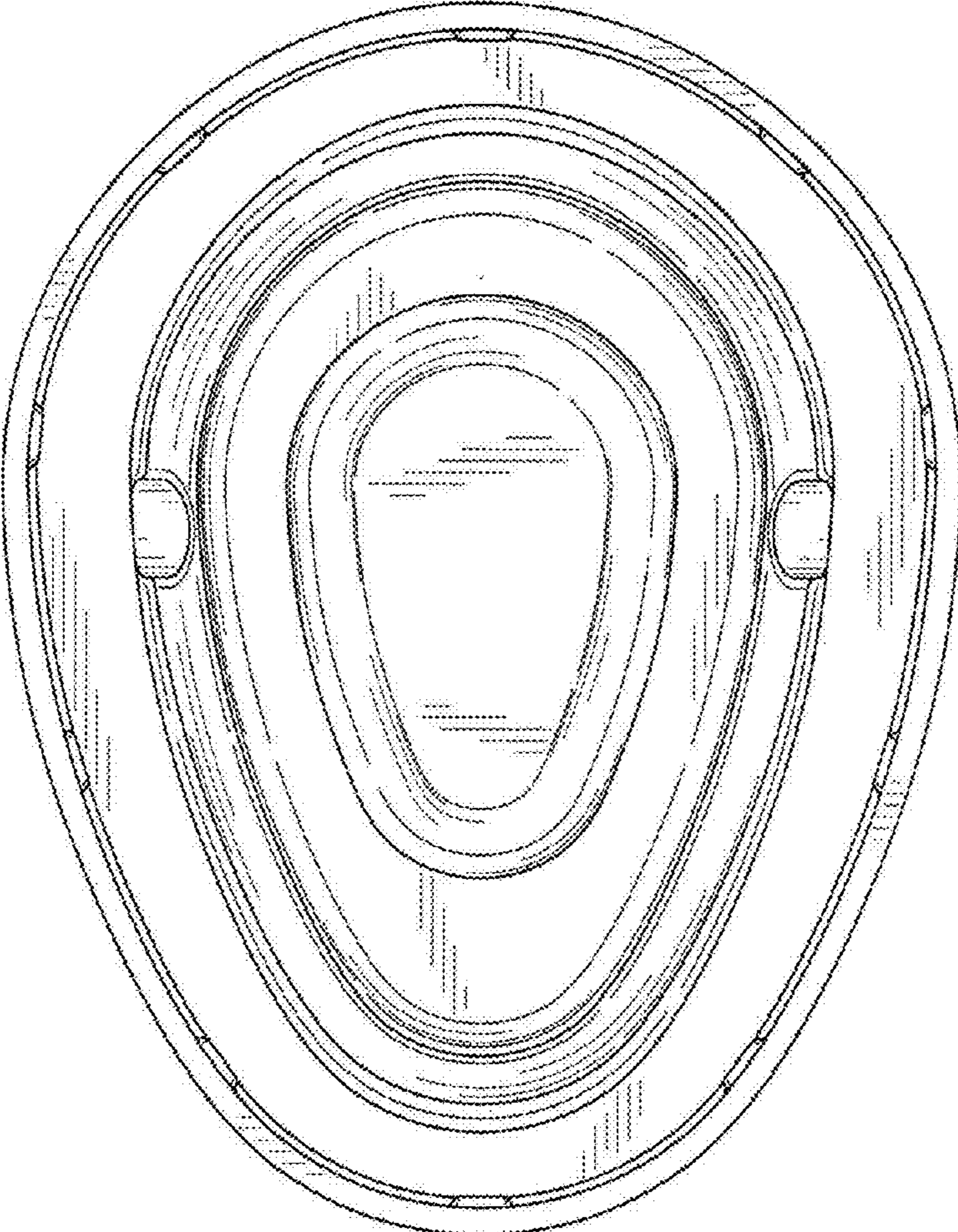


FIG. 7

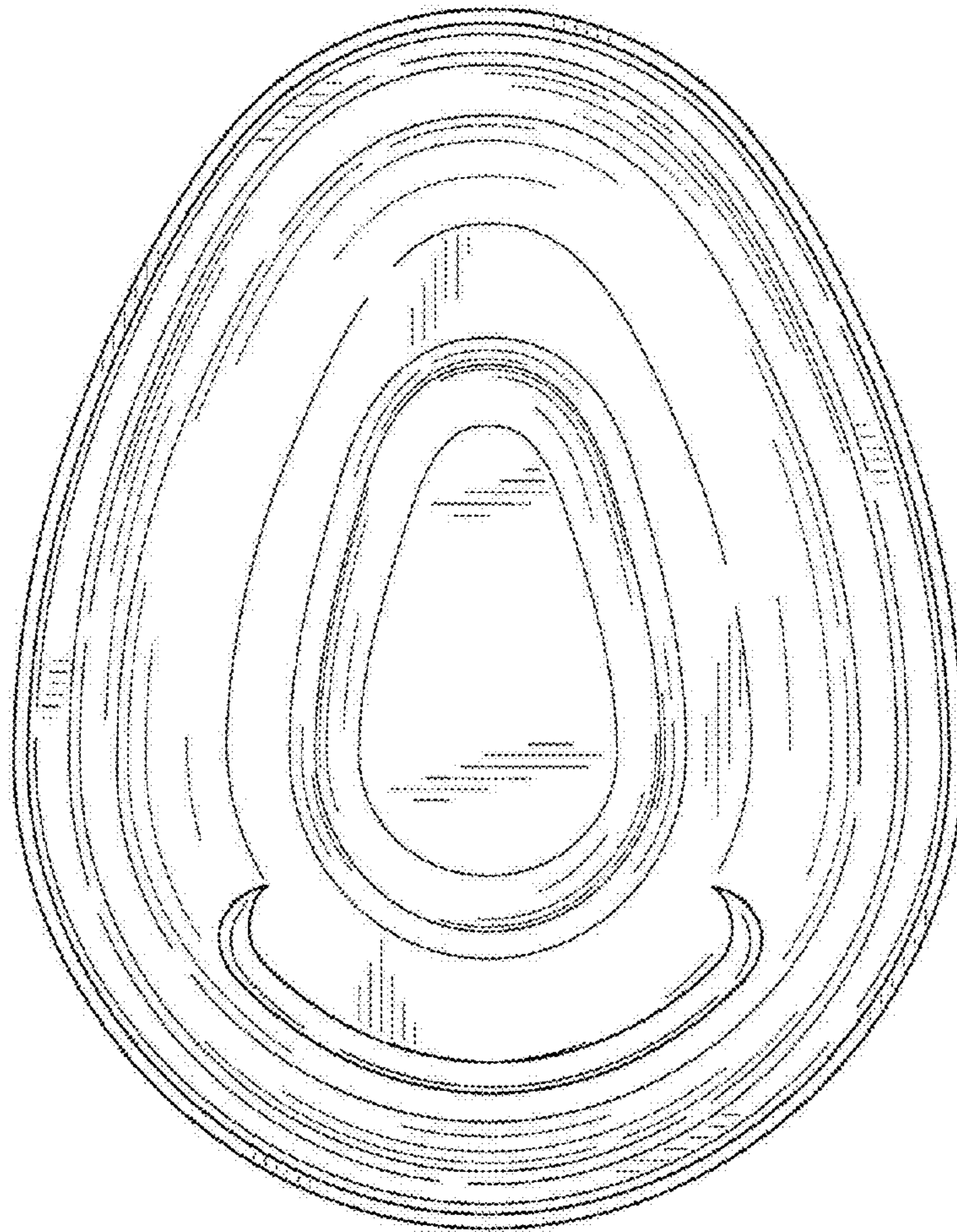


FIG. 8

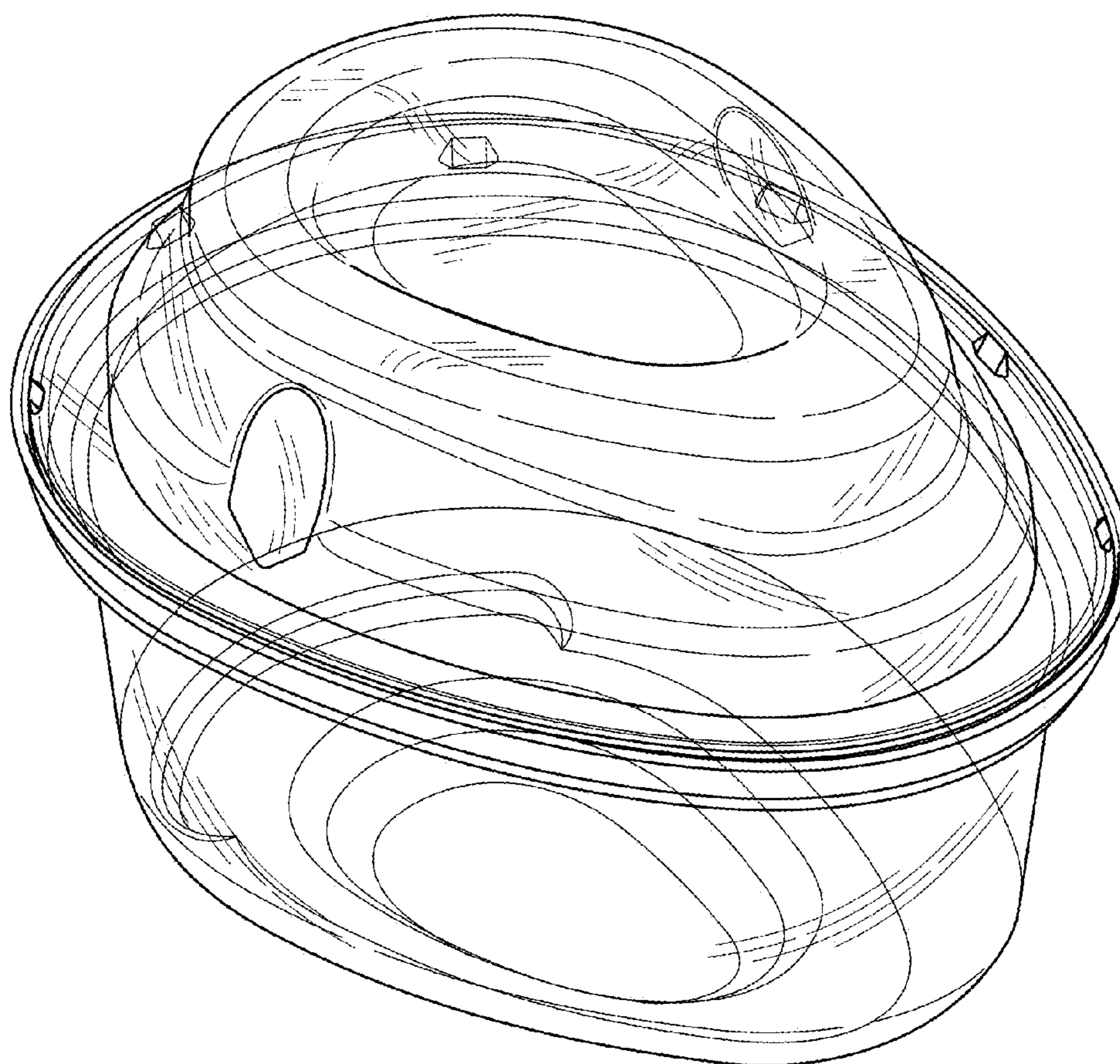


FIG. 9