



US00D743250S

(12) **United States Design Patent**
Kikuhara et al.

(10) **Patent No.:** **US D743,250 S**

(45) **Date of Patent:** **** Nov. 17, 2015**

(54) **PACKAGING CONTAINER**

(71) Applicant: **HITACHI CHEMICAL COMPANY, LTD.**, Chiyoda-ku, Tokyo (JP)

(72) Inventors: **Yoshihito Kikuhara**, Oyama (JP);
Yusuke Sawamoto, Hitachi (JP);
Tomoaki Sugai, Hitachi (JP)

(73) Assignee: **Hitachi Chemical Company, Ltd.**, Tokyo (JP)

(**) Term: **14 Years**

(21) Appl. No.: **29/477,833**

(22) Filed: **Dec. 27, 2013**

(30) **Foreign Application Priority Data**

Dec. 24, 2013 (JP) D2013-030172

(51) **LOC (10) Cl.** **09-03**

(52) **U.S. Cl.**
USPC **D9/425**

(58) **Field of Classification Search**

USPC D9/414, 415, 416, 417, 419, 421, 424,
D9/425, 428, 429; D7/318, 319, 619.1,
D7/629; 229/400-406, 906.1;
220/656-659, 669-675, 912,
220/4.21-4.27; 206/553, 557, 541, 775,
206/776, 217

CPC A47J 36/06; A47J 47/14; B65D 1/165;
B65D 15/08; B65D 21/083; B65D 21/0234;
B65D 43/162; B65D 71/50; B65D 77/24;
B65D 81/3869; B65D 2543/00046; B65D
2543/00055; B65D 2543/00083; B65D
2543/00092; B65D 2543/00296

See application file for complete search history.

(56) **References Cited**

U.S. PATENT DOCUMENTS

4,266,669 A * 5/1981 Watson 206/564
4,420,085 A * 12/1983 Wilson et al. 206/571

D281,227 S * 11/1985 Okano D9/415
D288,234 S * 2/1987 Blatherwick et al. D24/230
4,767,008 A * 8/1988 Warnecke et al. 206/570
D304,422 S * 11/1989 Holewinski D9/737
D304,547 S * 11/1989 Holewinski D9/737
D307,554 S * 5/1990 McAlister, Sr. D9/415
5,156,267 A * 10/1992 Yates et al. 206/364
D351,503 S * 10/1994 Bach D3/273
D363,509 S * 10/1995 Parekh et al. D19/75
5,947,284 A * 9/1999 Foster 206/364
D450,391 S * 11/2001 Hunt et al. D24/227
6,907,992 B2 * 6/2005 McMichael et al. 206/571
D554,866 S * 11/2007 Hasty D3/319
7,703,628 B2 * 4/2010 Cadiente et al. 220/366.1
2013/0081361 A1 * 4/2013 Miros et al. 53/420

* cited by examiner

Primary Examiner — Karen S Acker

Assistant Examiner — Wendy Arminio

(74) *Attorney, Agent, or Firm* — Fitch, Even, Tabin & Flannery

(57) **CLAIM**

The ornamental design for a packaging container, as shown and described.

DESCRIPTION

FIG. 1 is a front view of the packaging container showing our new design;

FIG. 2 is a rear view thereof;

FIG. 3 is a top plan view thereof;

FIG. 4 is a bottom plan view thereof;

FIG. 5 is a right side view thereof;

FIG. 6 is a left side view thereof;

FIG. 7 is a front, bottom, and left side perspective view thereof;

FIG. 8 is a front, top, and right side perspective view thereof;

FIG. 9 is a rear, top, and left side perspective view thereof;

FIG. 10 is a front view thereof with the cover closed;

FIG. 11 is a rear view thereof with the cover closed;

FIG. 12 is a top plan view thereof with the cover closed;

FIG. 13 is a bottom plan view thereof with the cover closed;

FIG. 14 is a right side view thereof with the cover closed;

FIG. 15 is a left side view thereof with the cover closed;

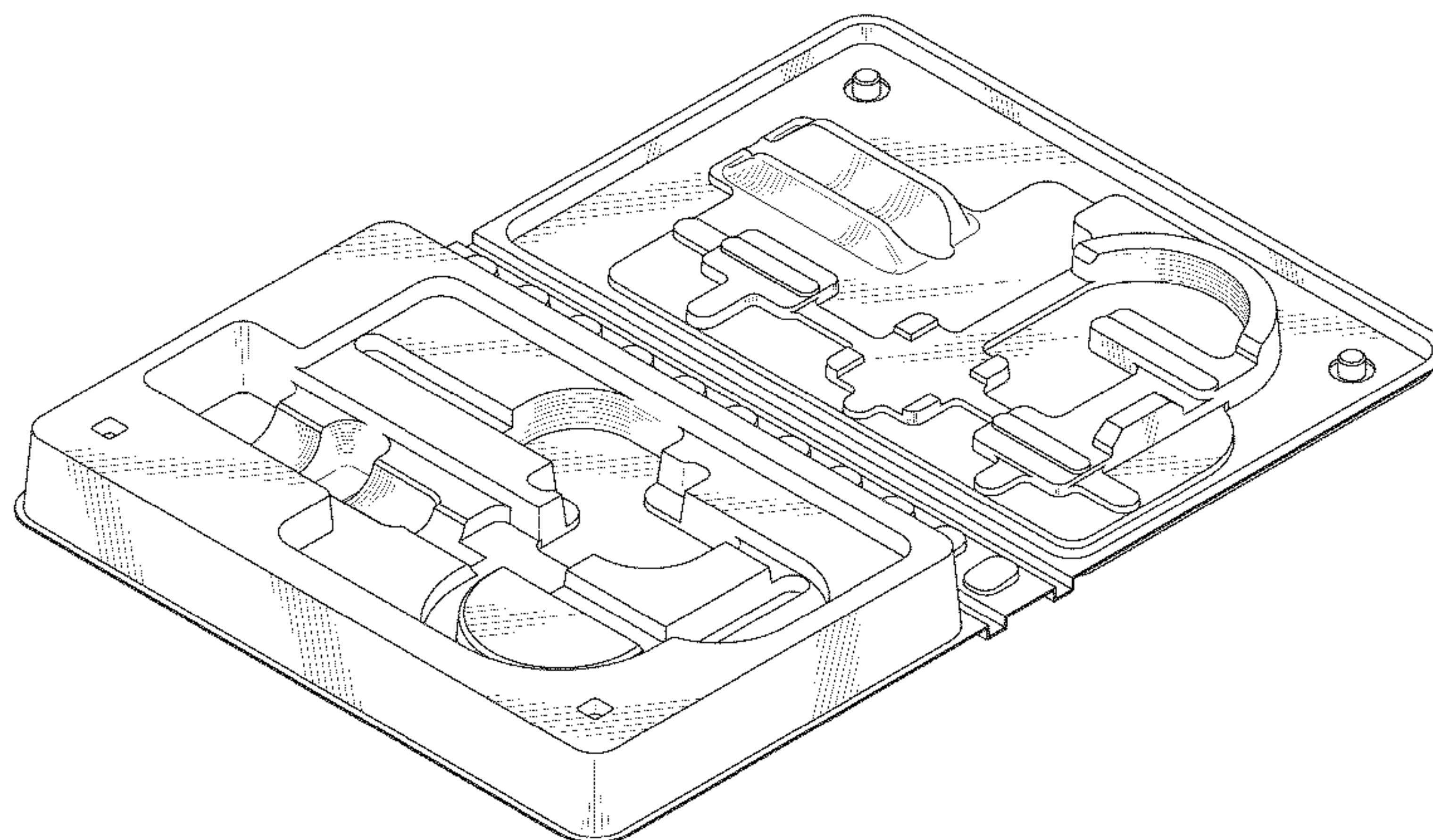


FIG. 16 is a front, bottom, and left side perspective view thereof with the cover closed

FIG. 17 is a reference view thereof showing the occasion of use;

FIG. 18 is a cross-sectional view taken along line 18-18 of FIG. 1;

FIG. 19 is a cross-sectional view taken along line 19-19 of FIG. 1;

FIG. 20 is a cross-sectional view taken along line 20-20 of FIG. 1;

FIG. 21 is a cross-sectional view taken along line 21-21 of FIG. 1;

FIG. 22 is a cross-sectional view taken along line 22-22 of FIG. 1;

FIG. 23 is a cross-sectional view taken along line 23-23 of FIG. 1;

FIG. 24 is a cross-sectional view taken along line 24-24 of FIG. 1;

FIG. 25 is a cross-sectional view taken along line 25-25 of FIG. 1;

FIG. 26 is a cross-sectional view taken along line 26-26 of FIG. 1;

FIG. 27 is a cross-sectional view taken along line 27-27 of FIG. 1;

FIG. 28 is a cross-sectional view taken along line 28-28 of FIG. 1;

FIG. 29 is a cross-sectional view taken along line 29-29 of FIG. 1;

FIG. 30 is a cross-sectional view taken along line 30-30 of FIG. 1;

FIG. 31 is a cross-sectional view taken along line 31-31 of FIG. 1;

FIG. 32 is a cross-sectional view taken along line 32-32 of FIG. 1; and,

FIG. 33 is a cross-sectional view taken along line 33-33 of FIG. 1.

The broken lines in FIG. 17 showing a medical inspection device depict environmental subject matter that forms no part of the claimed design.

The walls of the packaging container have a uniform thickness.

The packaging container is wholly transparent.

The drawings represent the outline of the layers one layer down from the transparent surfaces in the top plan view, bottom plan view, left side view, and right side view. The drawings also represent the outline of the layers one layer down from the transparent surfaces in the top plan view with the cover closed, bottom plan view of the cover closed, left side view with the cover closed, and right side view with the cover closed.

The cross-sectional views have been provided to disclose the depth of the various holding portions. In these end views, the inner wall is not represented and only the cut surface is represented.

1 Claim, 33 Drawing Sheets

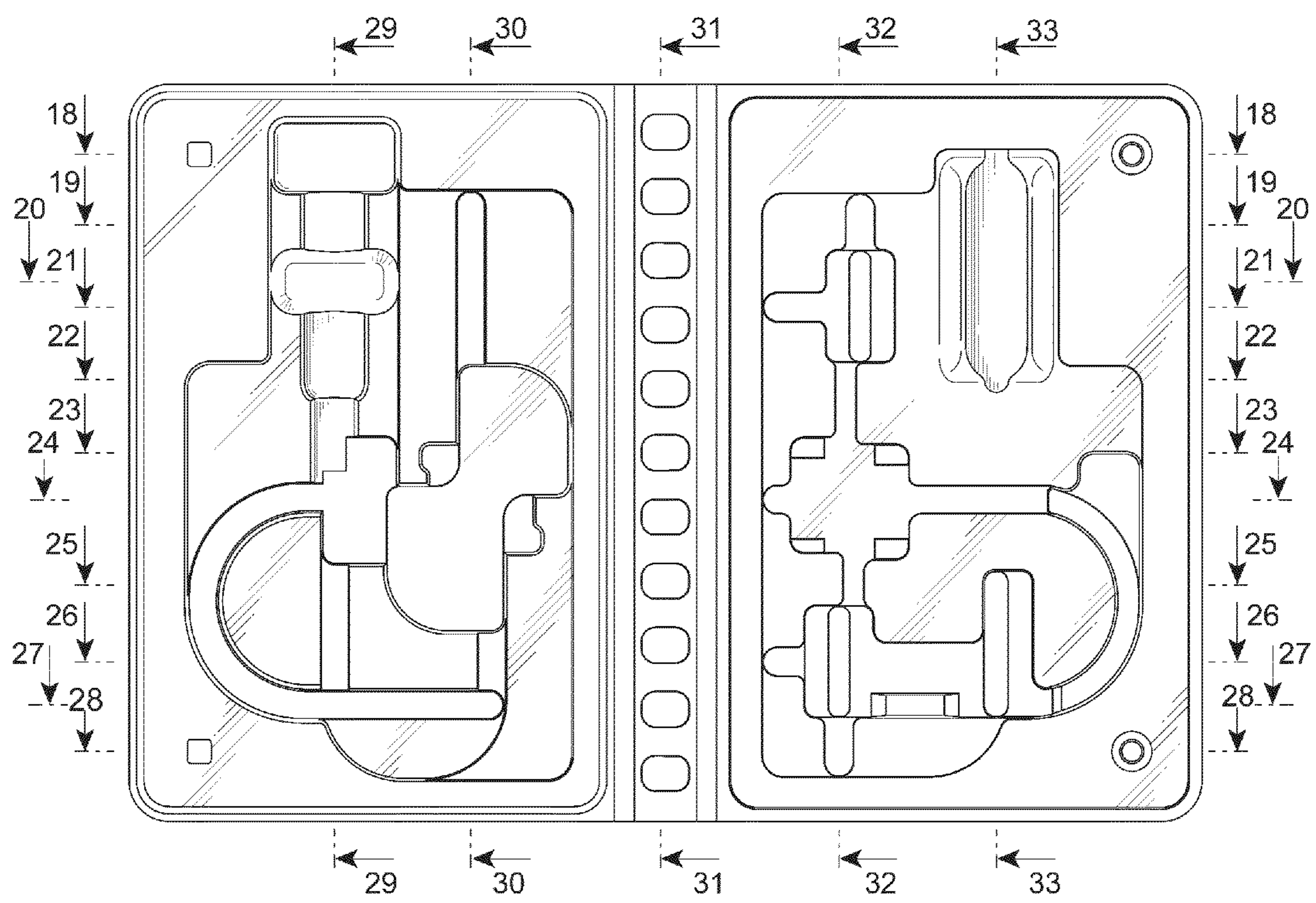


FIG. 1

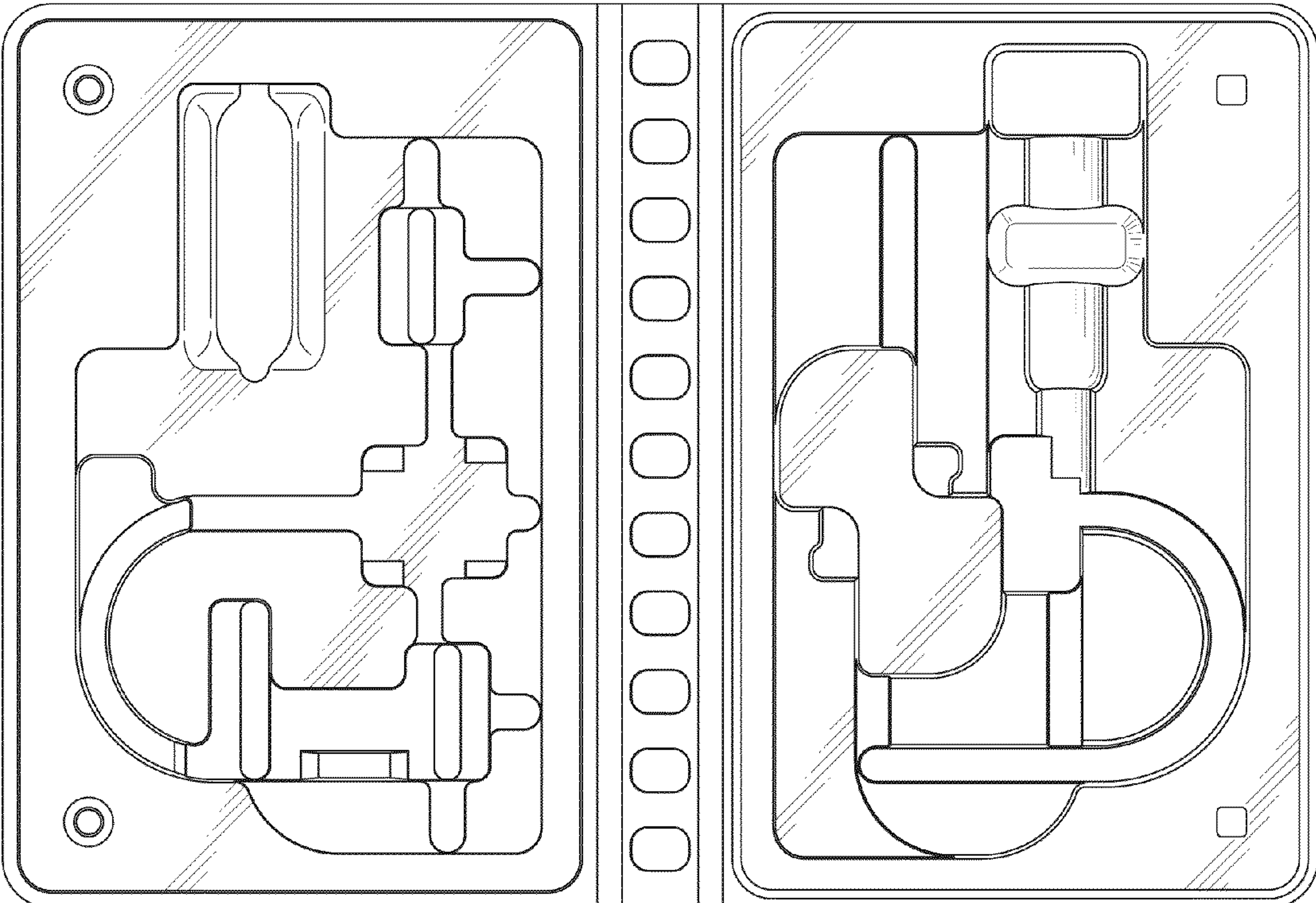


FIG. 2

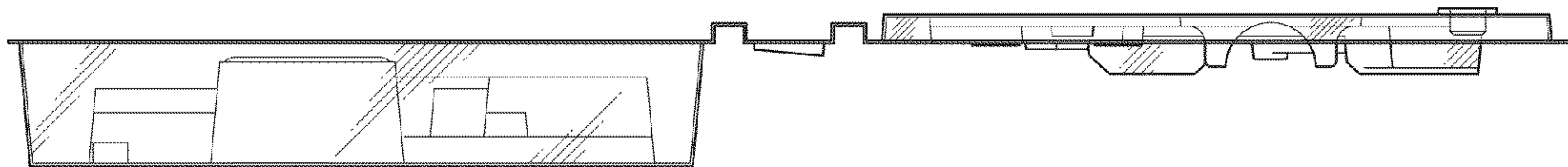


FIG. 3

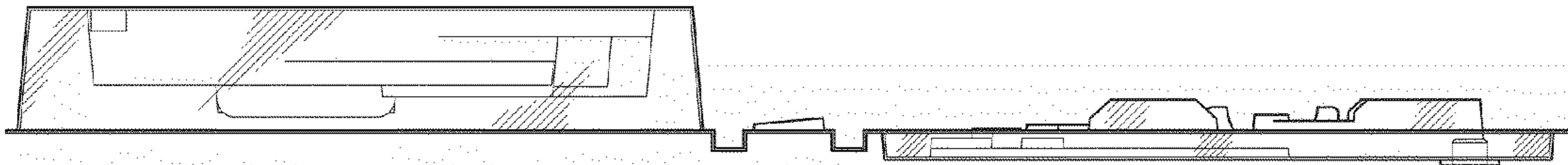


FIG. 4

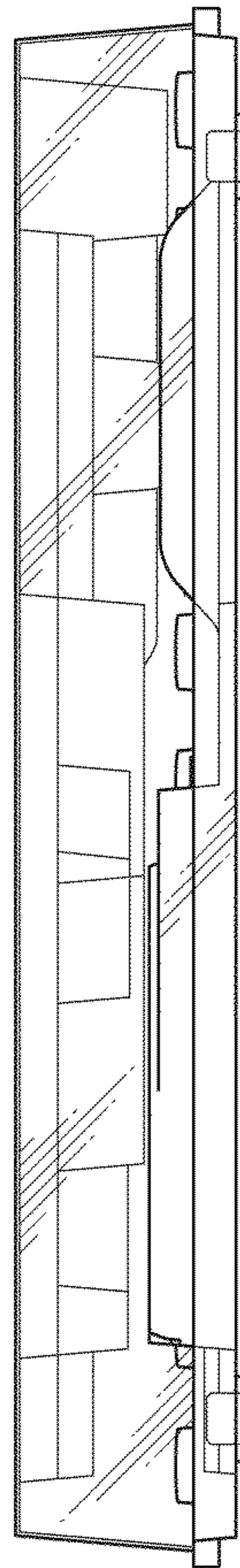


FIG. 5

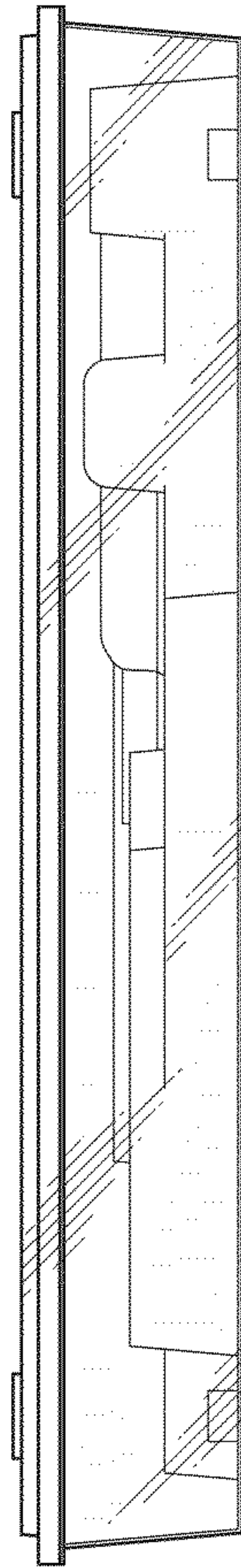


FIG. 6

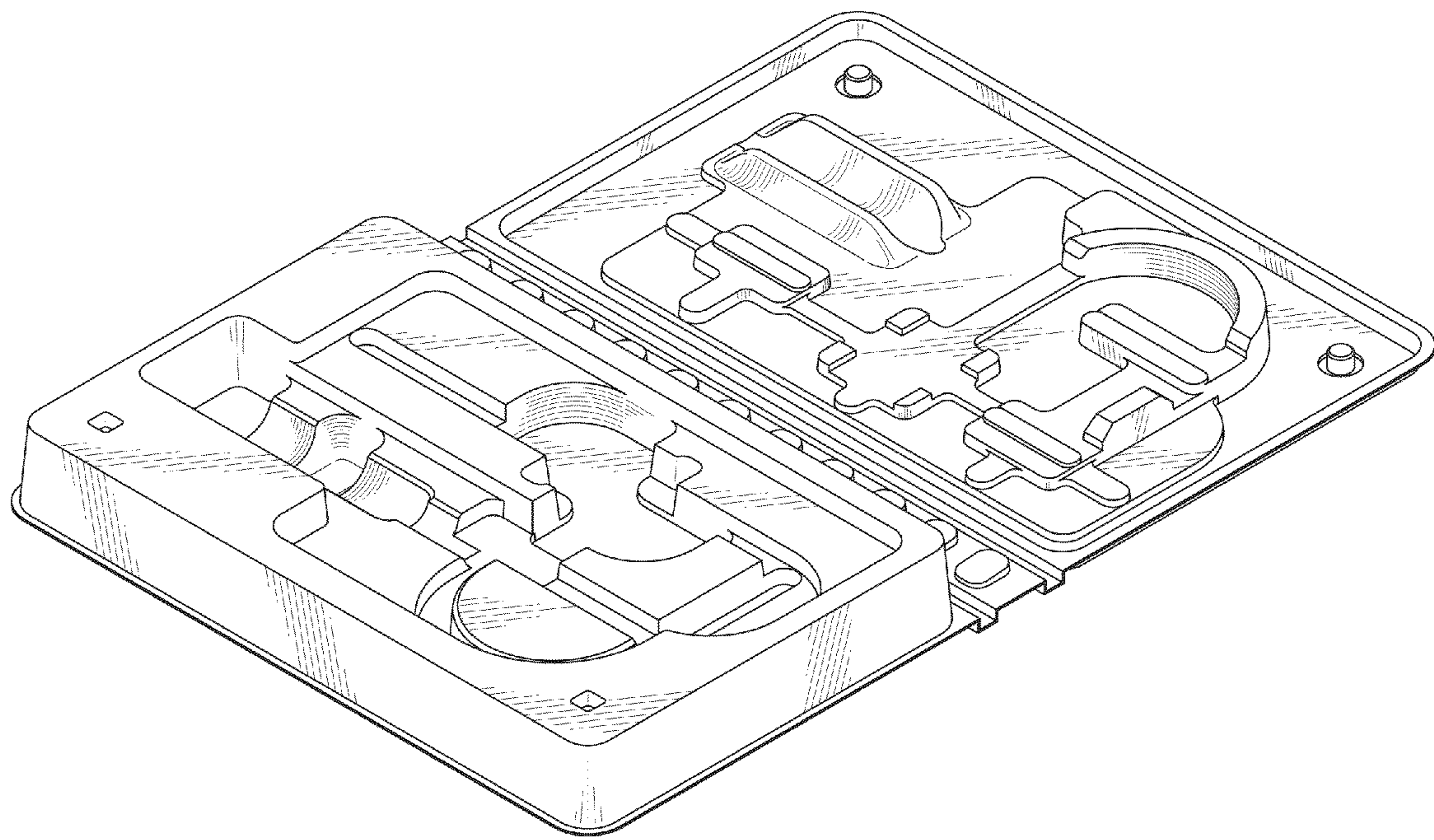


FIG. 7

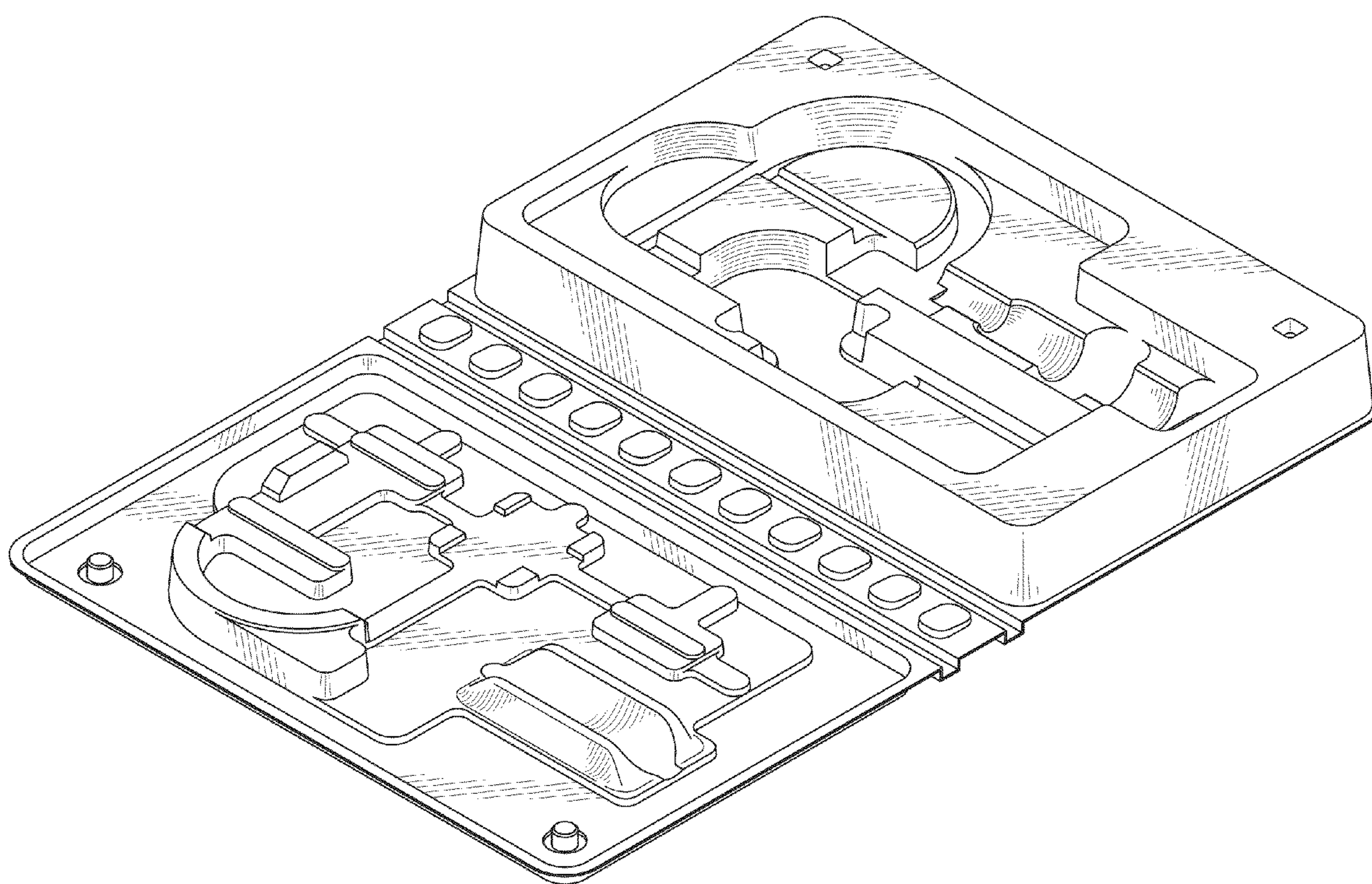


FIG. 8

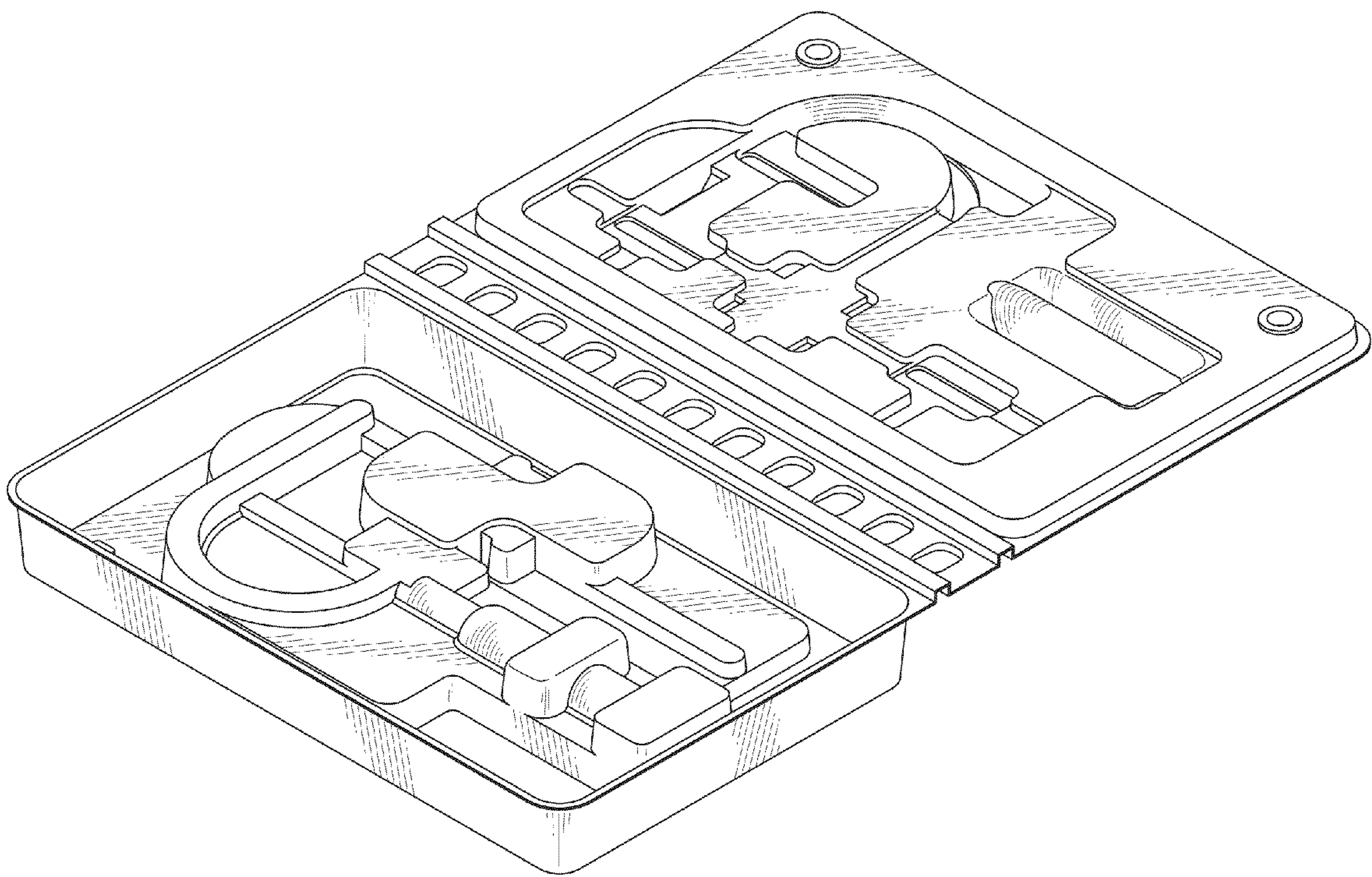


FIG. 9

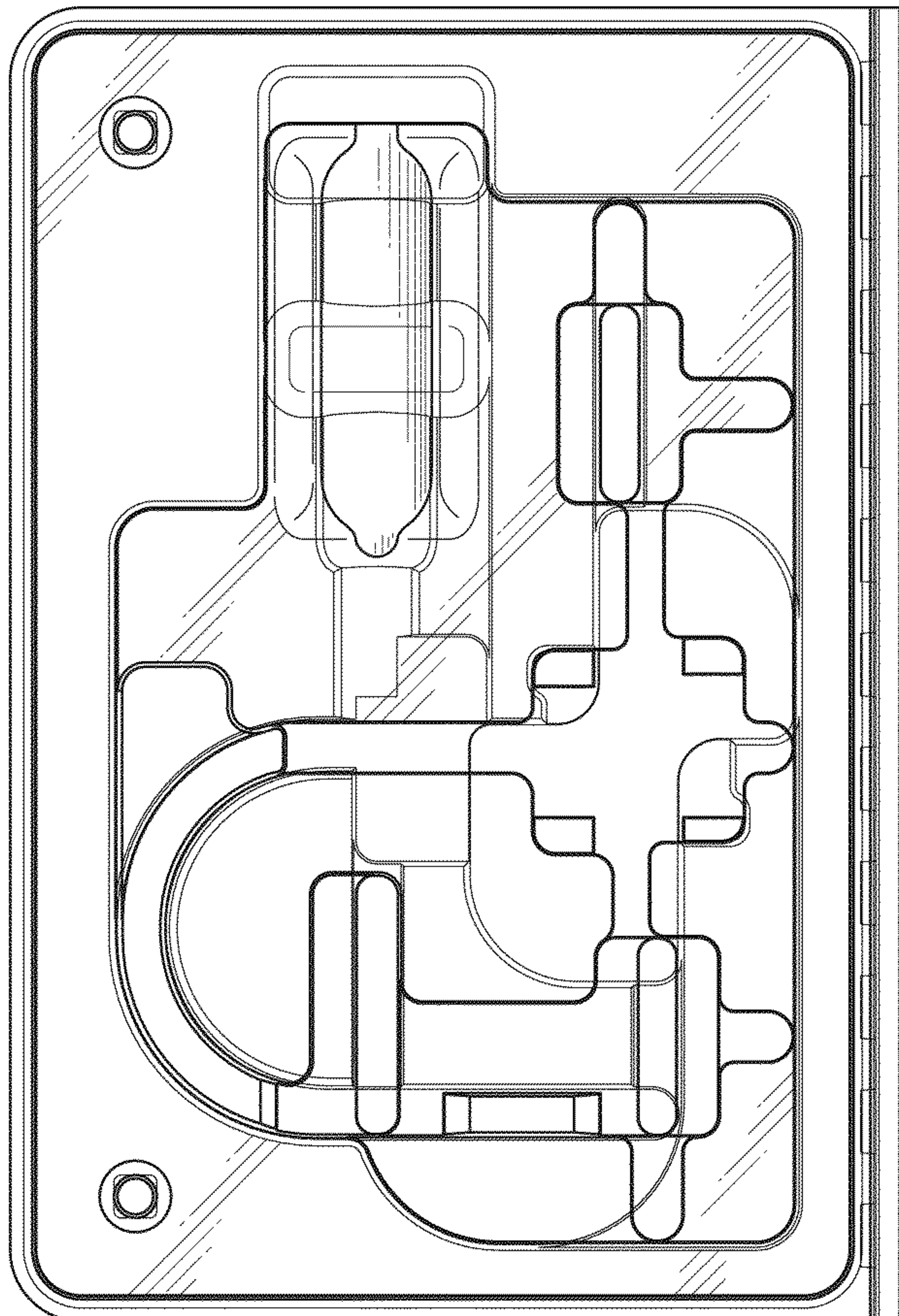


FIG. 10

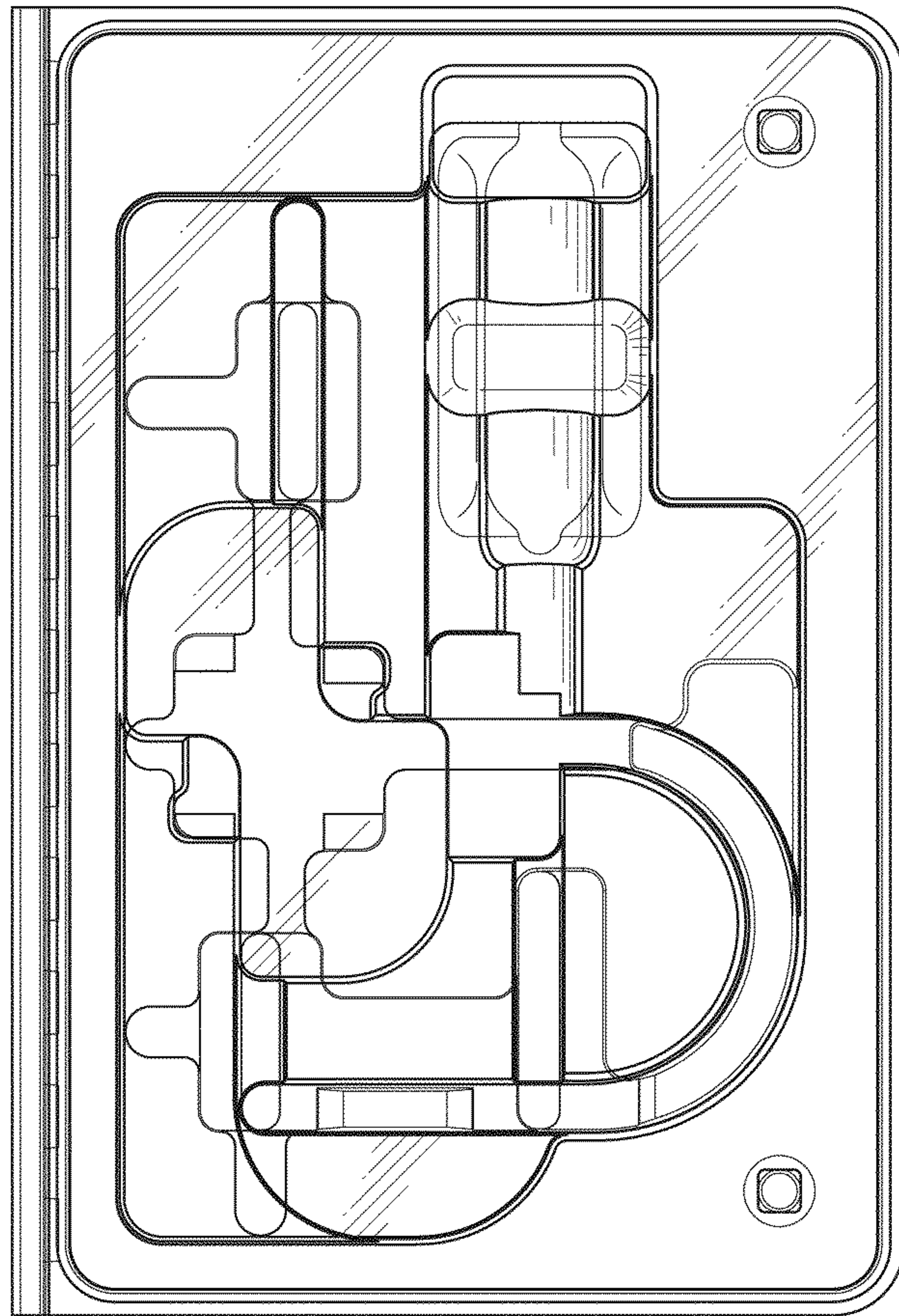


FIG. 11

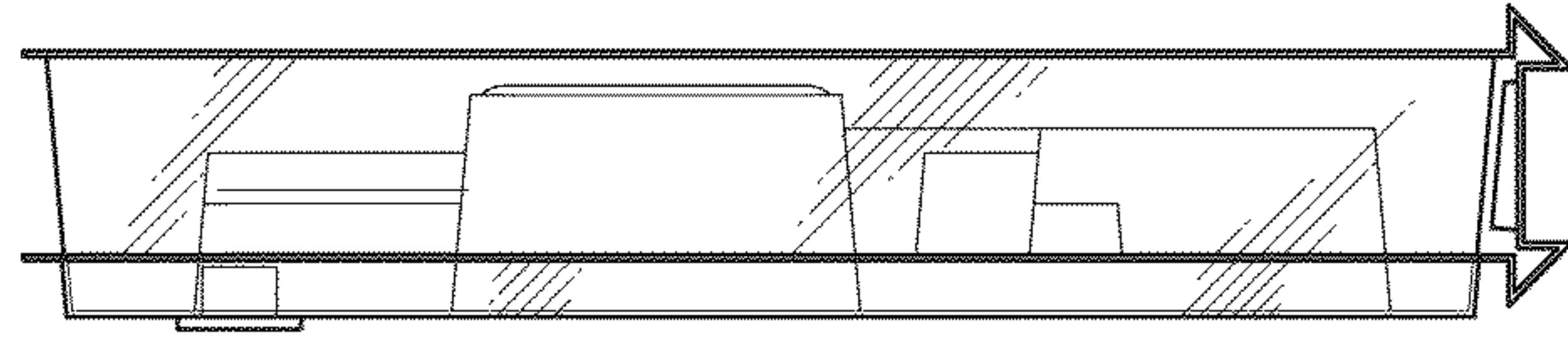


FIG. 12

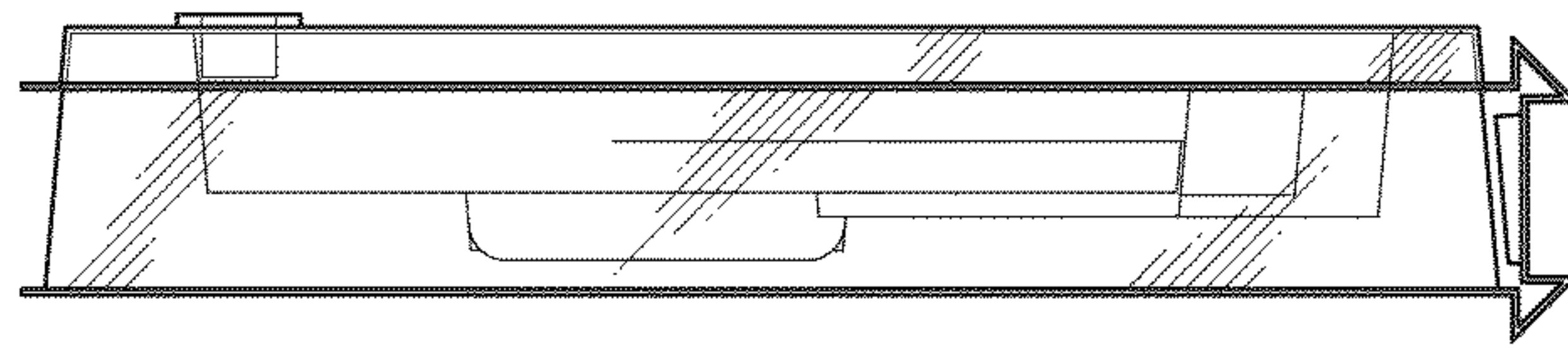


FIG. 13

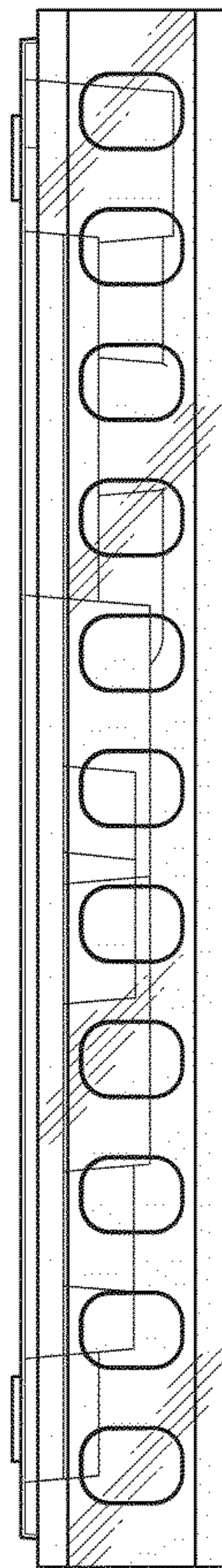


FIG. 14

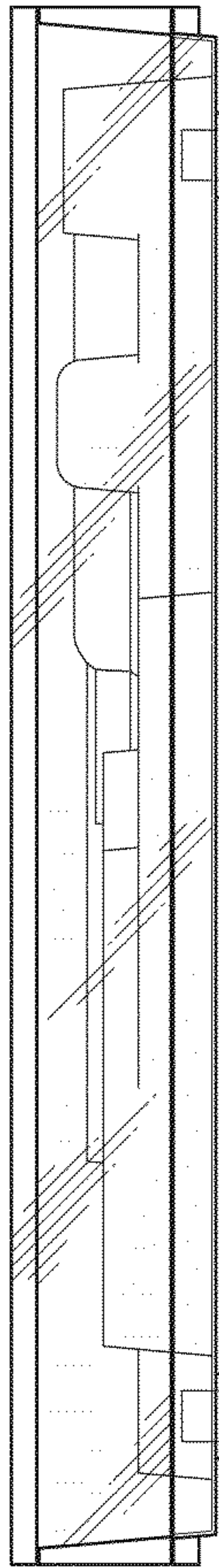


FIG. 15

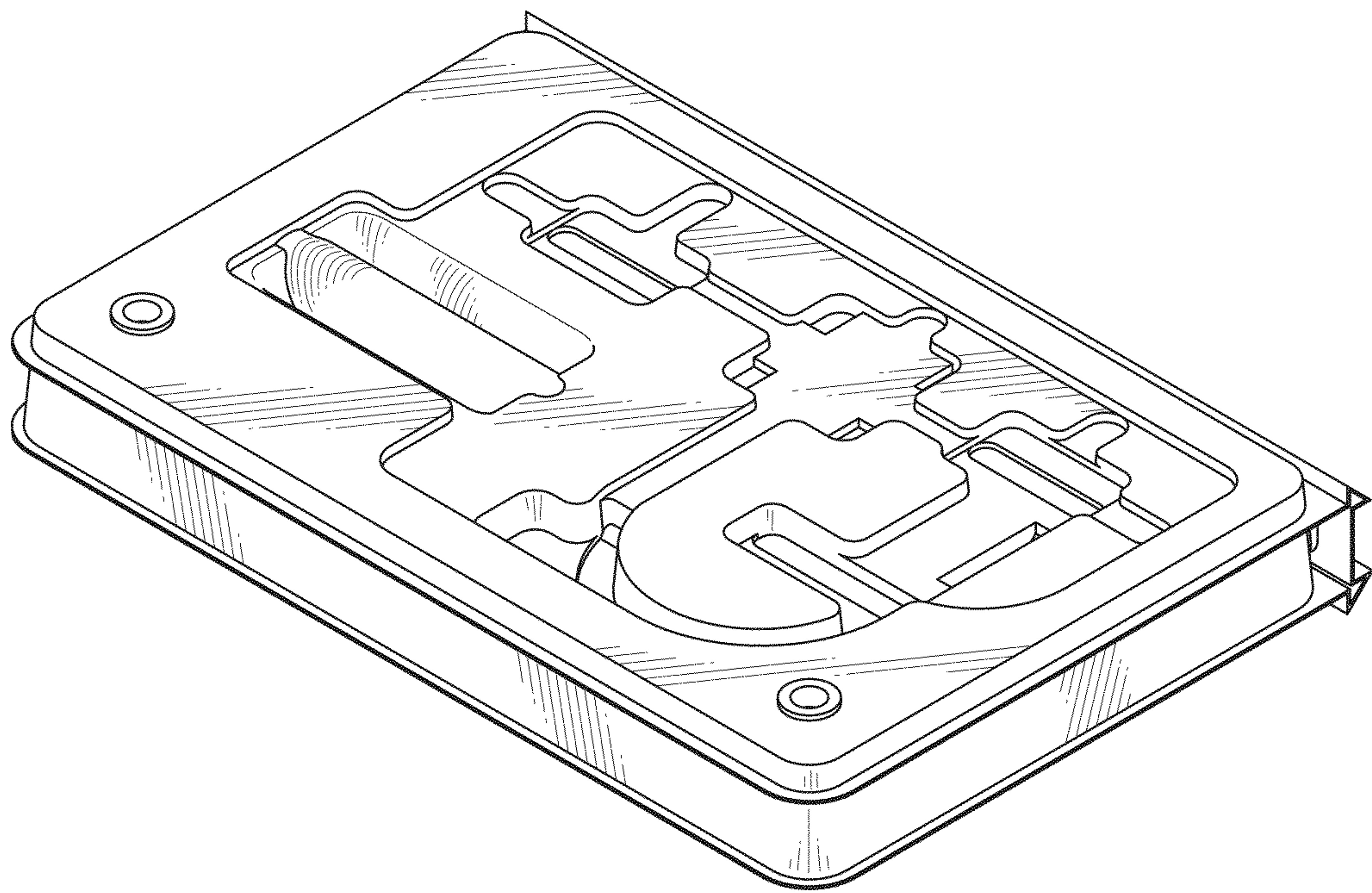


FIG. 16

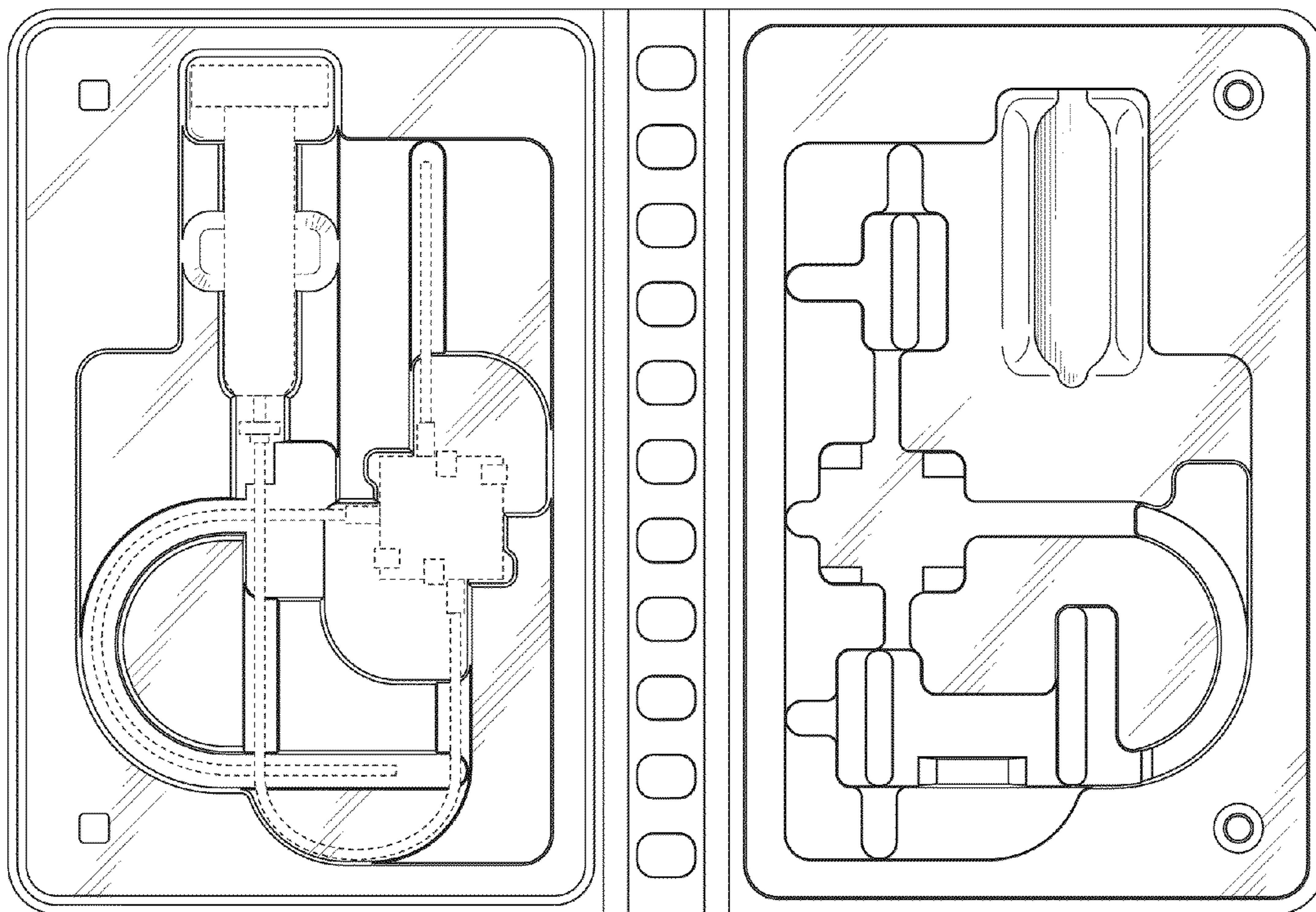


FIG. 17

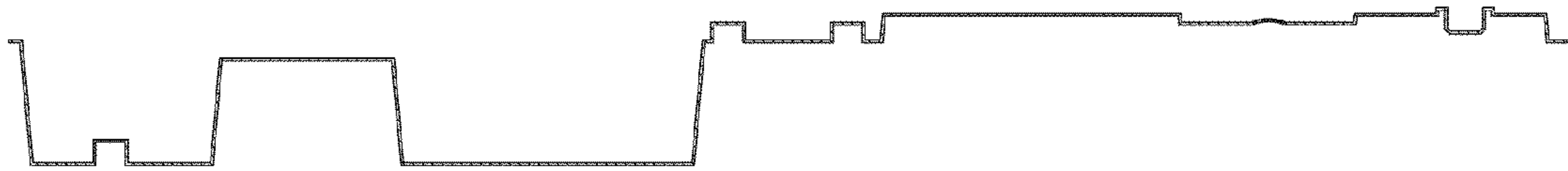


FIG. 18

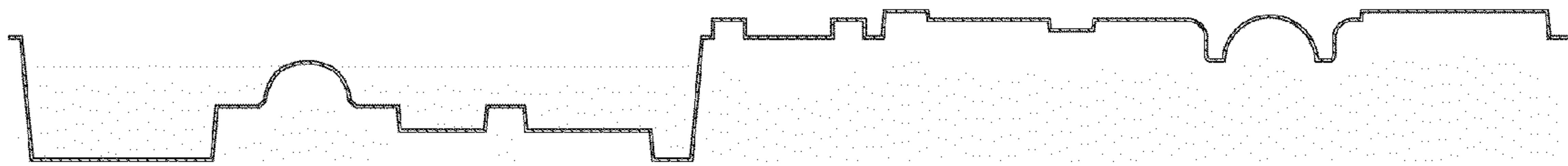


FIG. 19

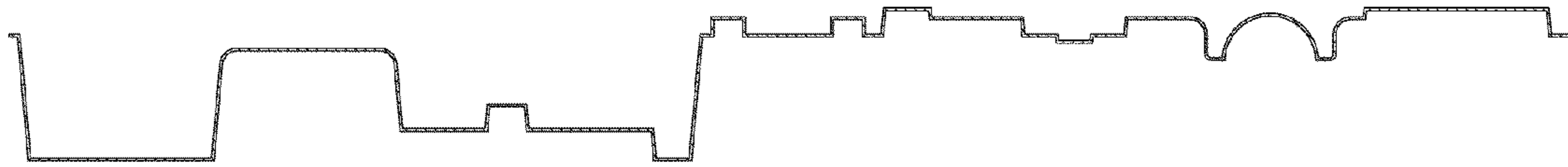


FIG. 20

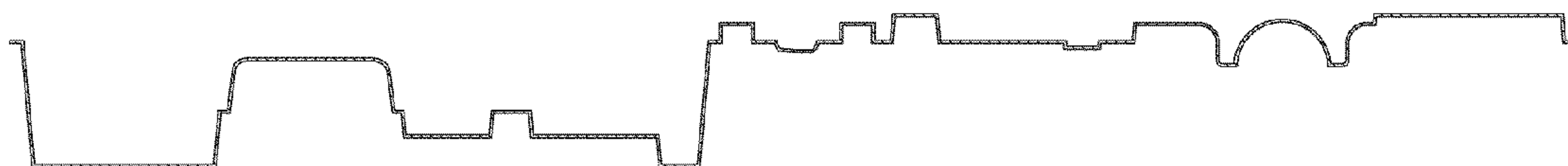


FIG. 21

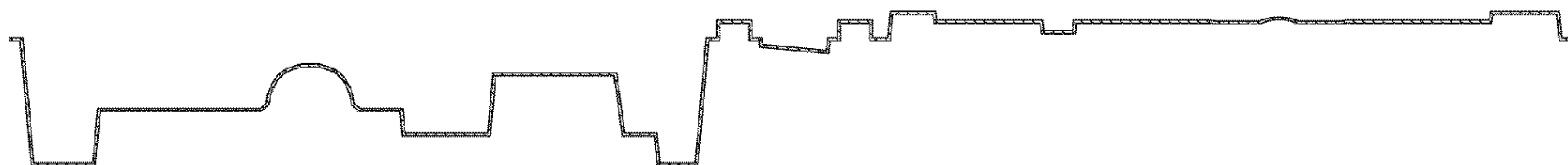


FIG. 22

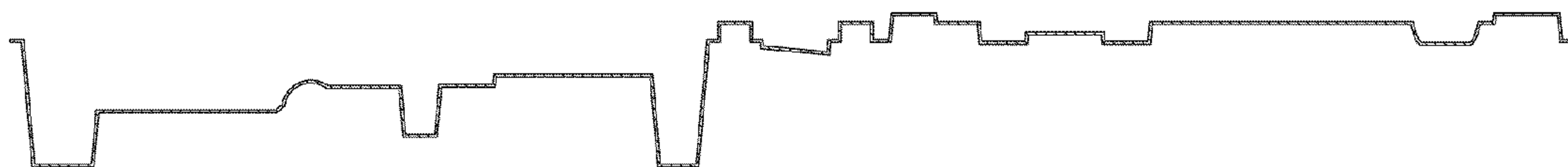


FIG. 23

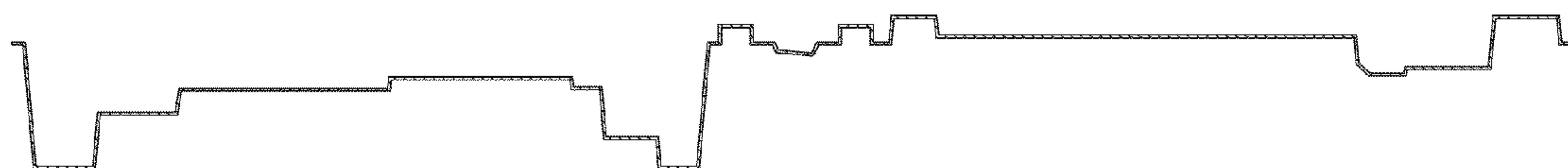


FIG. 24

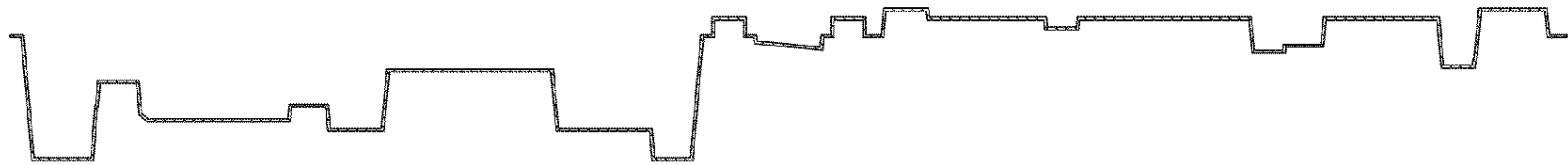


FIG. 25

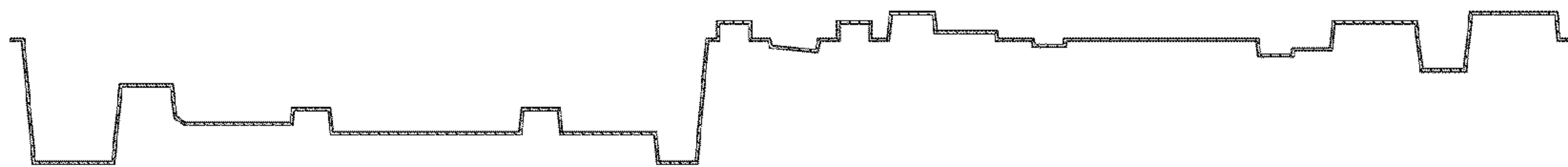


FIG. 26

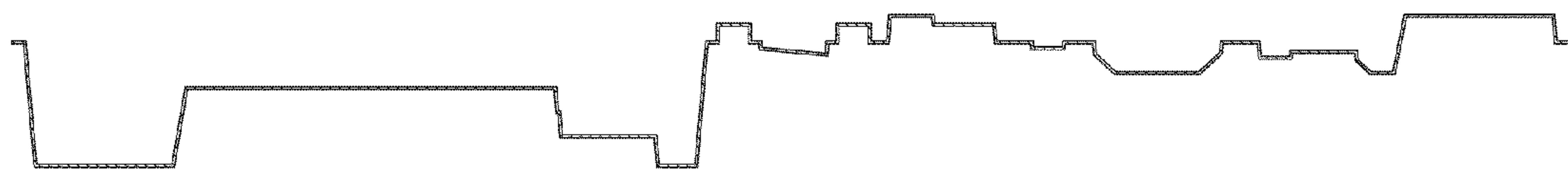


FIG. 27

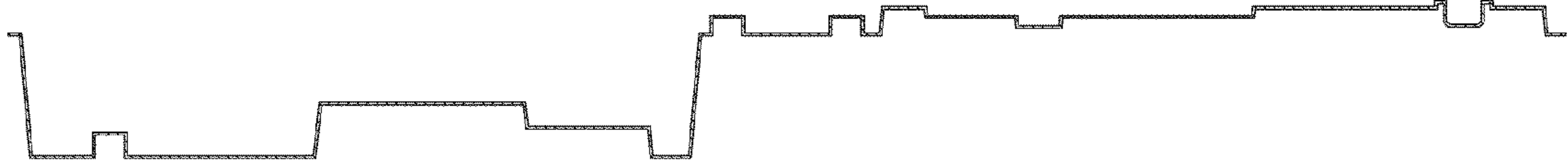


FIG. 28

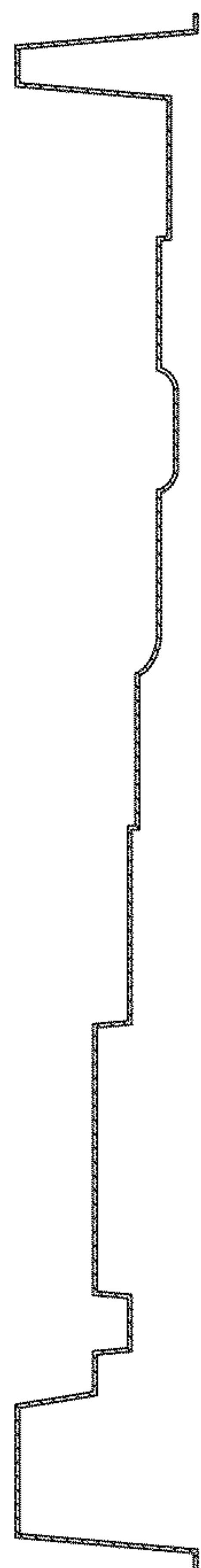


FIG. 29

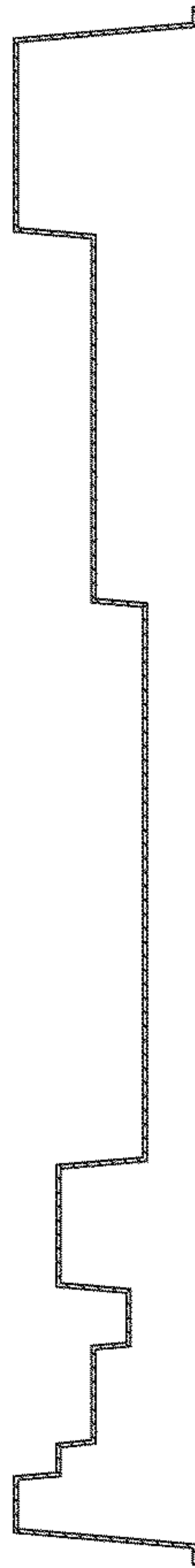


FIG. 30



FIG. 31



FIG. 32



FIG. 33