



US00D743249S

(12) **United States Design Patent**
Wintmolders et al.

(10) **Patent No.:** **US D743,249 S**

(45) **Date of Patent:** **** Nov. 17, 2015**

(54) **CONTAINER**

(71) Applicants: **Wim Wintmolders**, West Chester, OH (US); **Rainer Bernhard Teufel**, Worthington, OH (US); **Igor Ivanovich Zemskov**, Dublin, OH (US); **David William Schuller**, Lebanon, OH (US)

(72) Inventors: **Wim Wintmolders**, West Chester, OH (US); **Rainer Bernhard Teufel**, Worthington, OH (US); **Igor Ivanovich Zemskov**, Dublin, OH (US); **David William Schuller**, Lebanon, OH (US)

(73) Assignee: **The Procter & Gamble Company**, Cincinnati, OH (US)

(**) Term: **14 Years**

(21) Appl. No.: **29/445,898**

(22) Filed: **Feb. 19, 2013**

(51) **LOC (10) Cl.** **09-03**

(52) **U.S. Cl.**
USPC **D9/425; D9/424**

(58) **Field of Classification Search**
USPC 229/117.23, 126, 406, 925-927, 101, 229/101.3, 106, 108-112; 206/461, 524.4, 206/735, 269, 270, 737, 740, 822, 299, 206/273; D3/230-232, 303, 302, 201, 272, D3/273; D9/414, 415, 416, 418, 424, 425, D9/427, 429, 430, 431, 432, 438, 441, 457, D9/499; D7/592, 596, 597, 600, 600.1, D7/601, 602, 200
CPC .. B65D 5/0254; B65D 73/00; B65D 51/1677; B65D 1/00; B65D 1/0223; B65D 1/18; B65D 11/10; B65D 11/165; A47F 5/0884; B32B 1/02

See application file for complete search history.

(56) **References Cited**

U.S. PATENT DOCUMENTS

4,834,247	A *	5/1989	Oshima et al.	426/107
5,188,222	A *	2/1993	Pierce	206/756
D334,536	S *	4/1993	Long et al.	D9/425
6,149,006	A *	11/2000	Brauner et al.	206/551
D450,240	S *	11/2001	Haag et al.	D9/416
D503,334	S *	3/2005	Keating	D9/415
D543,843	S *	6/2007	Gehring et al.	D9/425
D569,721	S *	5/2008	Gedanke	D9/425
D599,656	S *	9/2009	Bierschenk et al.	D9/432
D627,217	S *	11/2010	Marcinkowski et al.	D9/415
D642,904	S *	8/2011	Turvey	D9/424
D682,676	S *	5/2013	Wintmolders et al.	D9/431
D689,767	S *	9/2013	Clark et al.	D9/425
D692,297	S *	10/2013	Wintmolders et al.	D9/431
D704,048	S *	5/2014	Whalen et al.	D9/415
D714,660	S *	10/2014	Tilahun et al.	D9/737
D723,365	S *	3/2015	Mitchell et al.	D9/416
D724,946	S *	3/2015	Atkinson	D9/457
2012/0187018	A1 *	7/2012	Maglio et al.	206/524.4

* cited by examiner

Primary Examiner — Philip S Hyder

Assistant Examiner — Keith Frank

(74) *Attorney, Agent, or Firm* — Larry L. Huston; Steven W. Miller

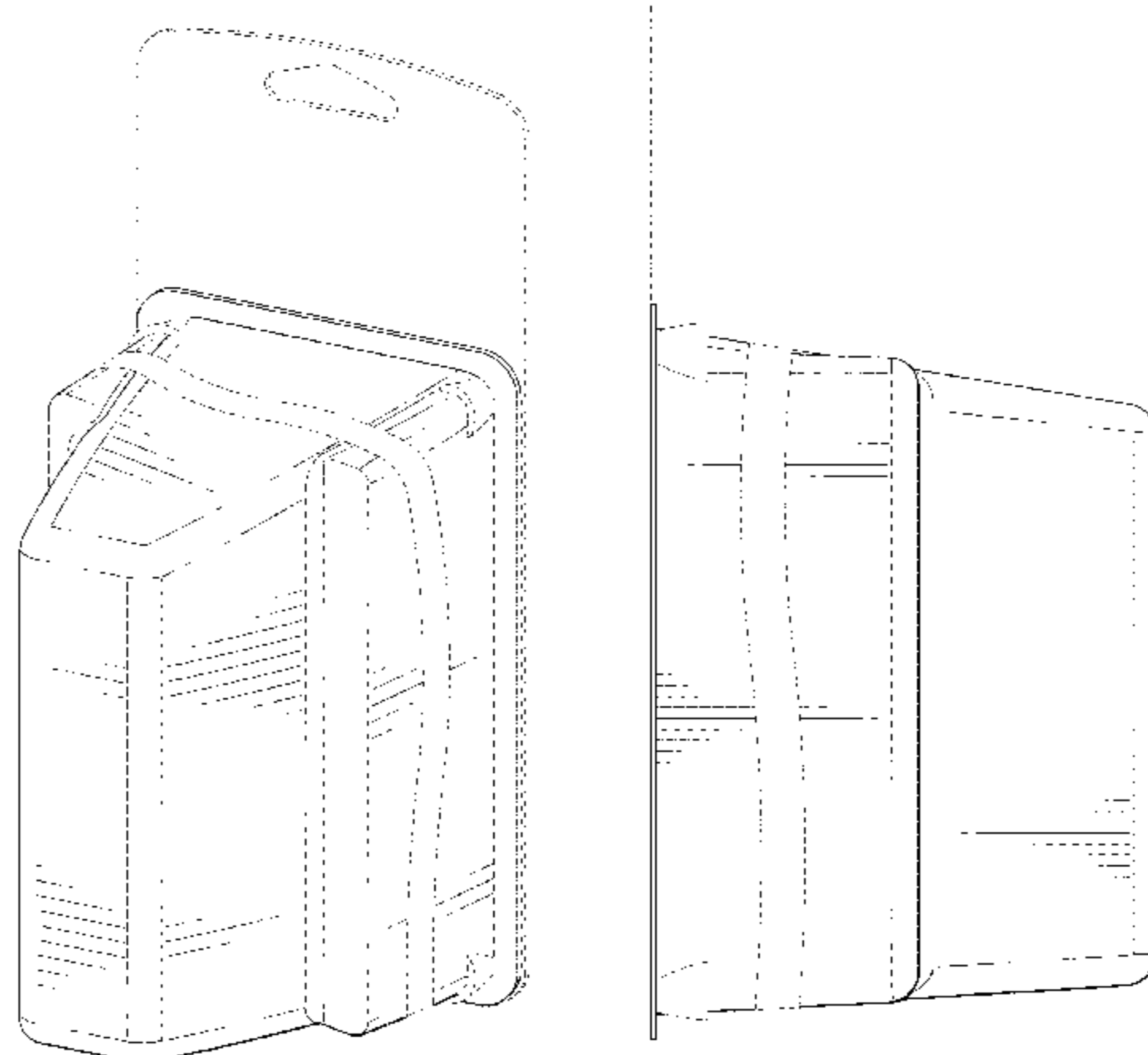
(57) **CLAIM**

The ornamental design for a container, as shown and described.

DESCRIPTION

FIG. 1 is a perspective view of a container; FIG. 2 is a top view of the container shown in FIG. 1; FIG. 3 is a bottom view of the container shown in FIG. 1; FIG. 4 is a first side view of the container shown in FIG. 1; FIG. 5 is a second side view, opposite the first side view, of the container shown in FIG. 1; FIG. 6 is a first end view of the container shown in FIG. 1; and, FIG. 7 is a second end view, opposite the first end view, of the container shown in FIG. 1. The broken lines depict portions of the container in which the design is embodied that form no part of the claimed design.

1 Claim, 6 Drawing Sheets



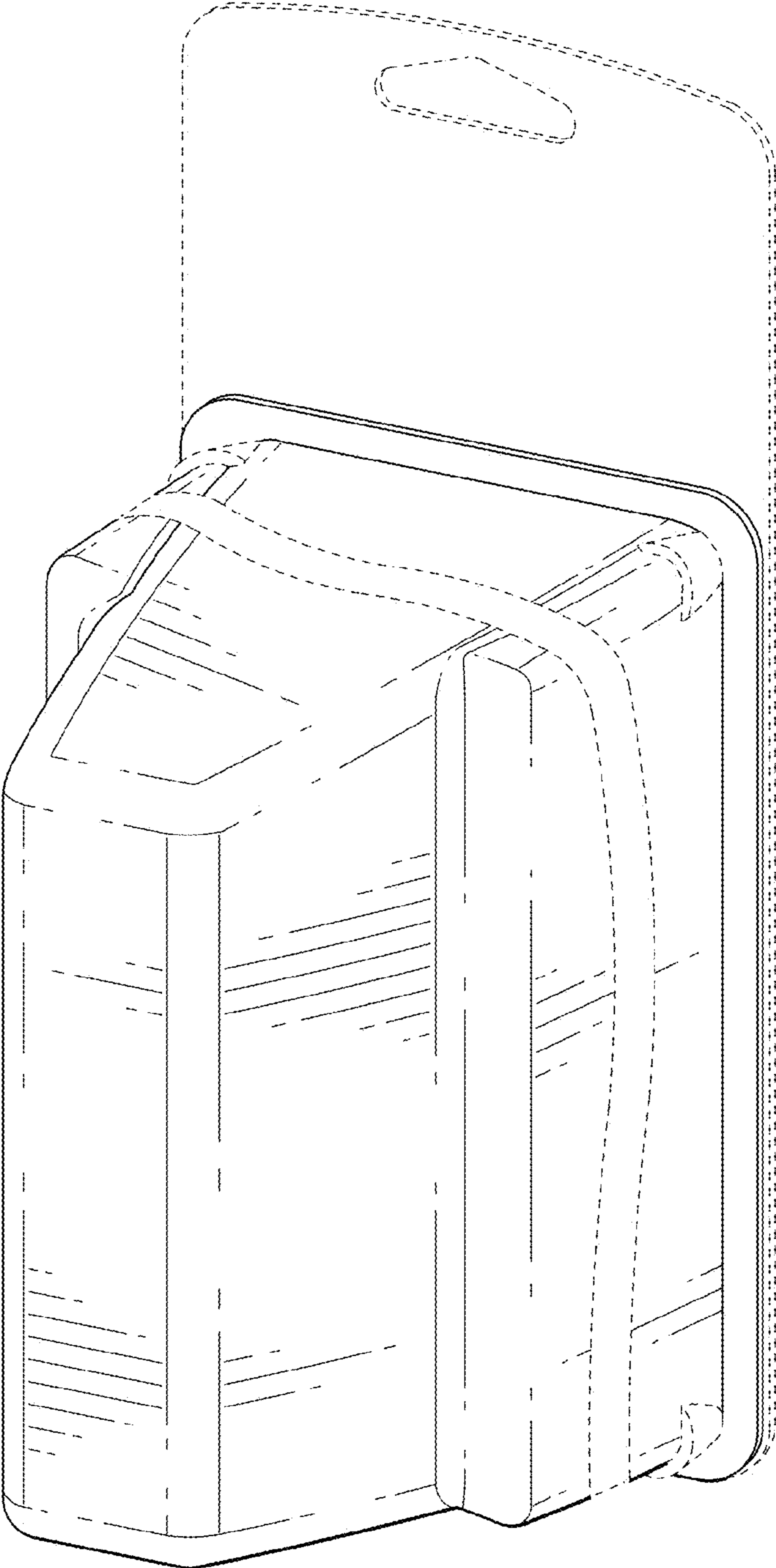


Fig. 1

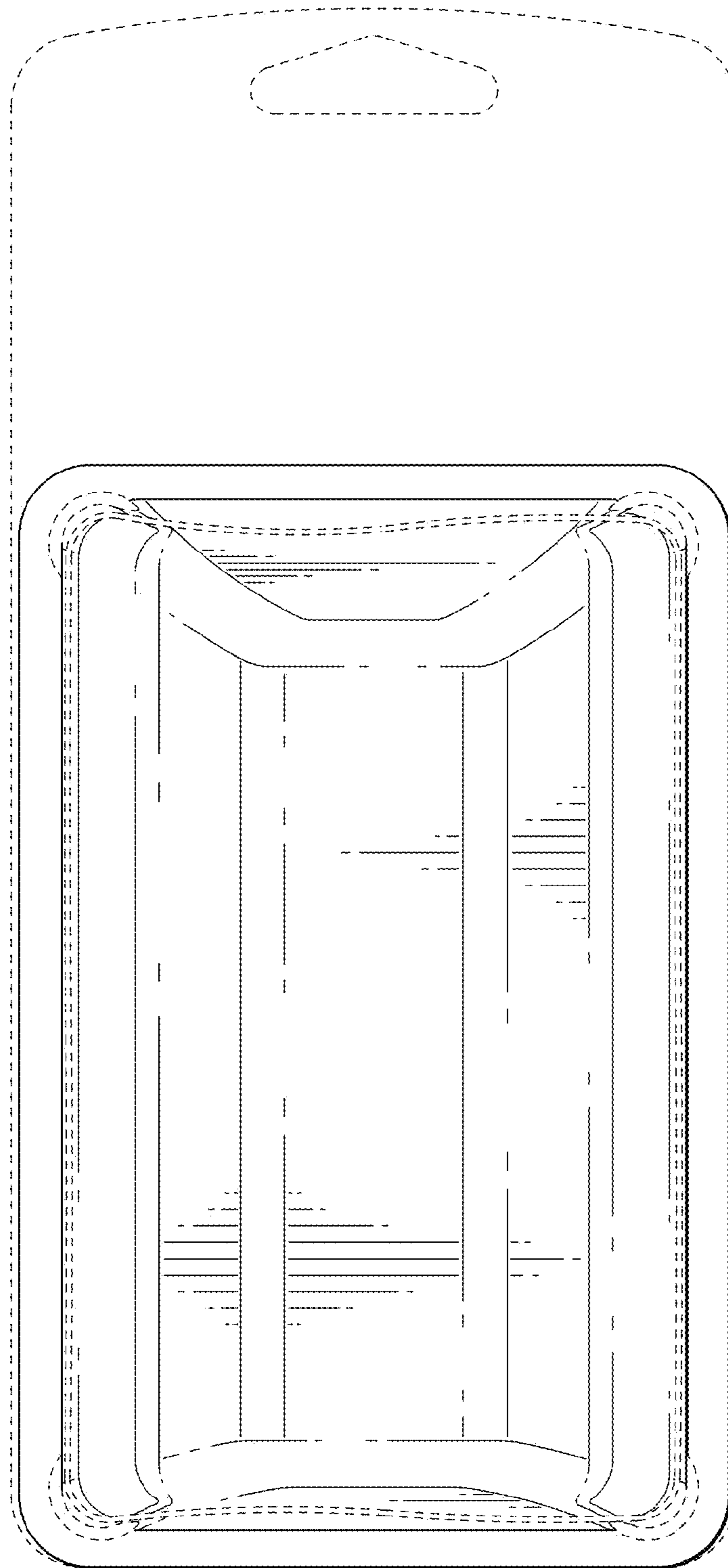


Fig. 2

REPLACEMENT SHEET
Wintmolders, et al. Serial No. 29/445,898
"CONTAINER"
3/6

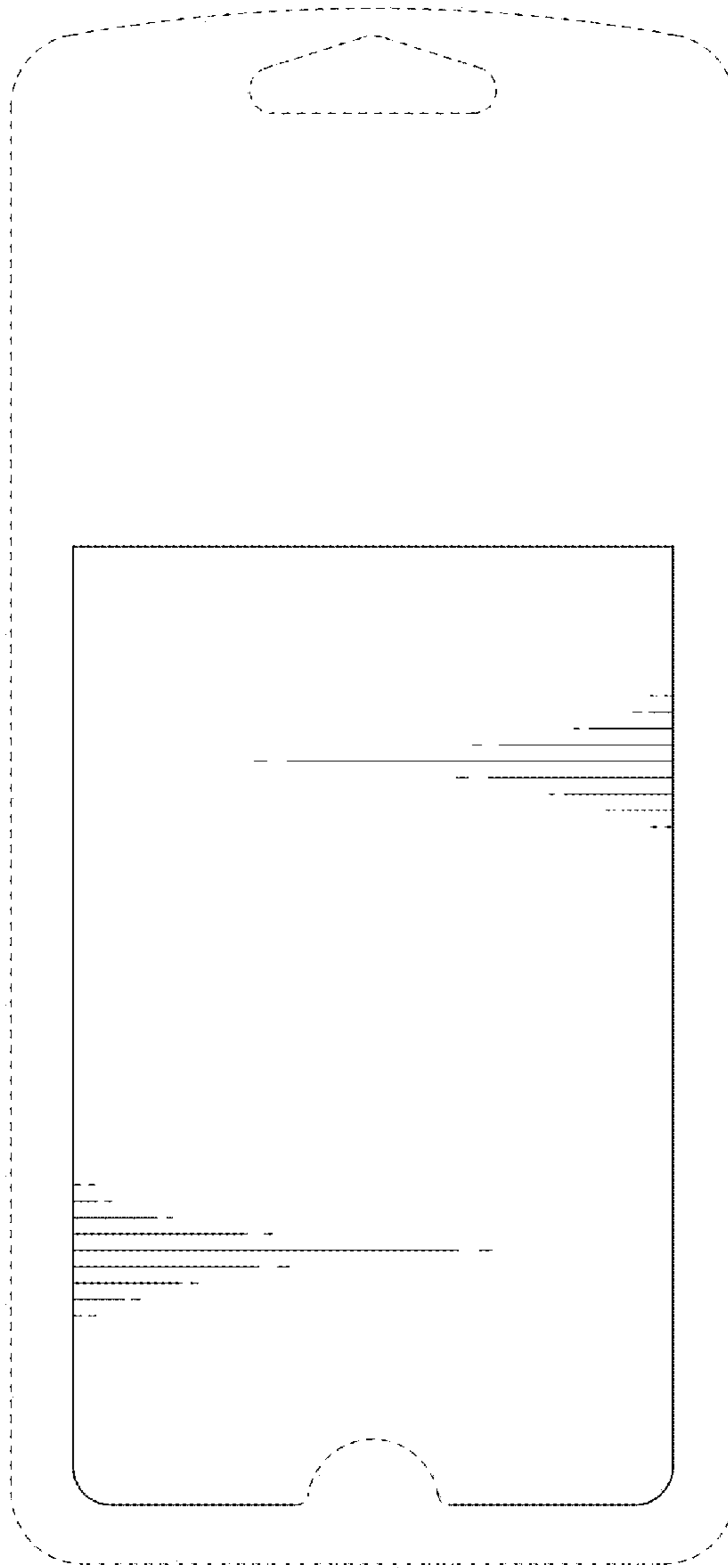


Fig. 3

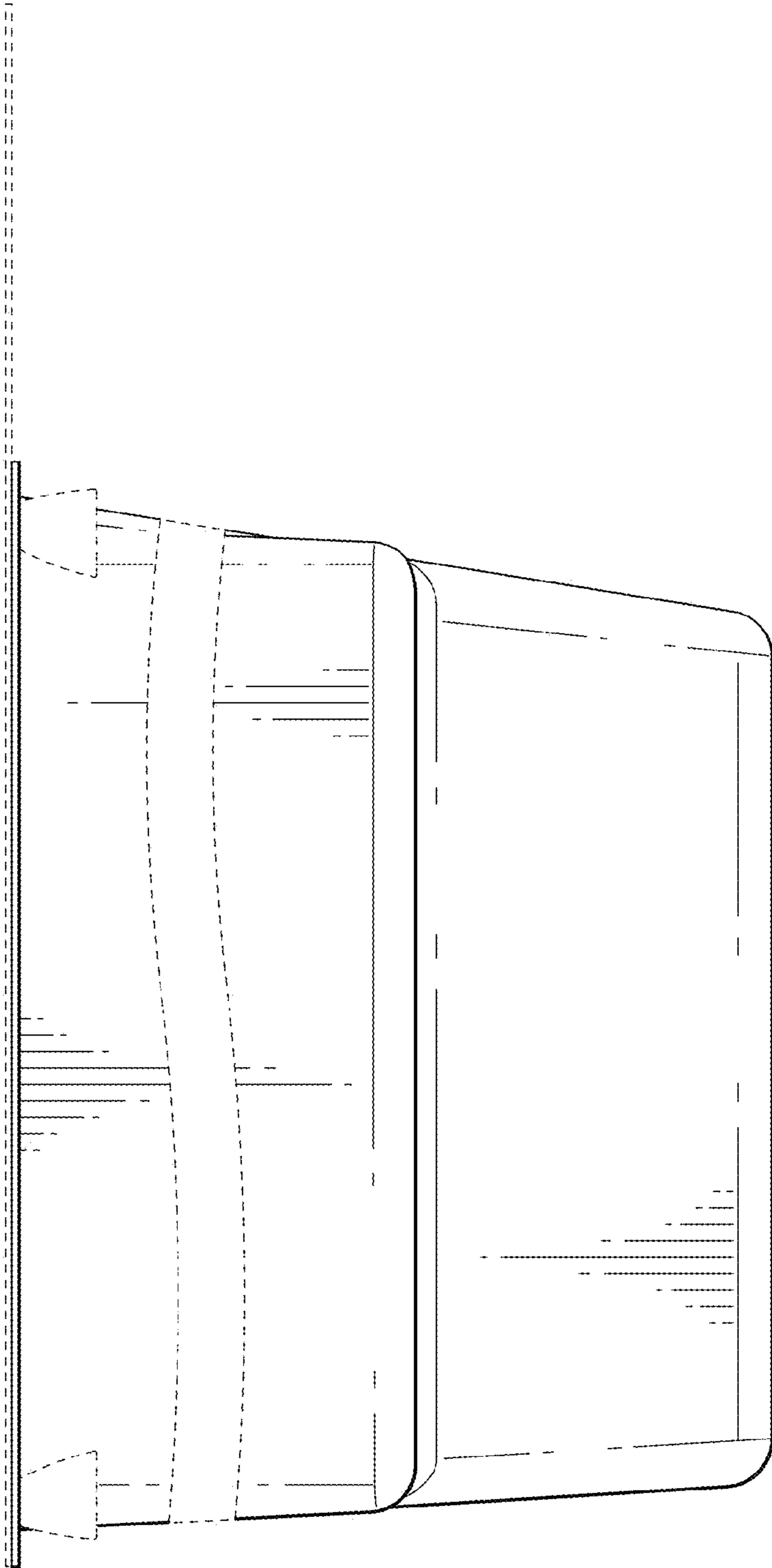


Fig. 4

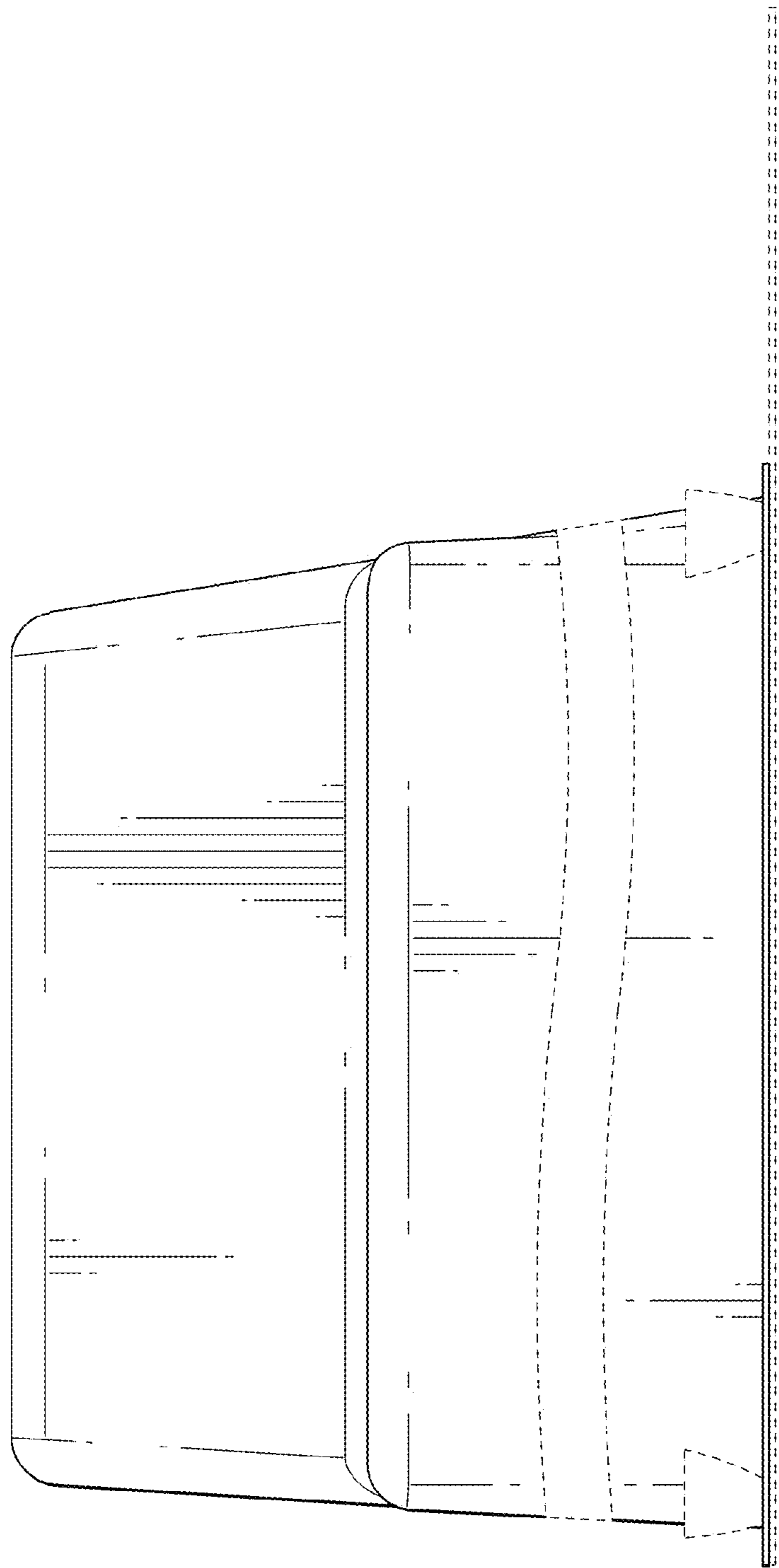


Fig. 5

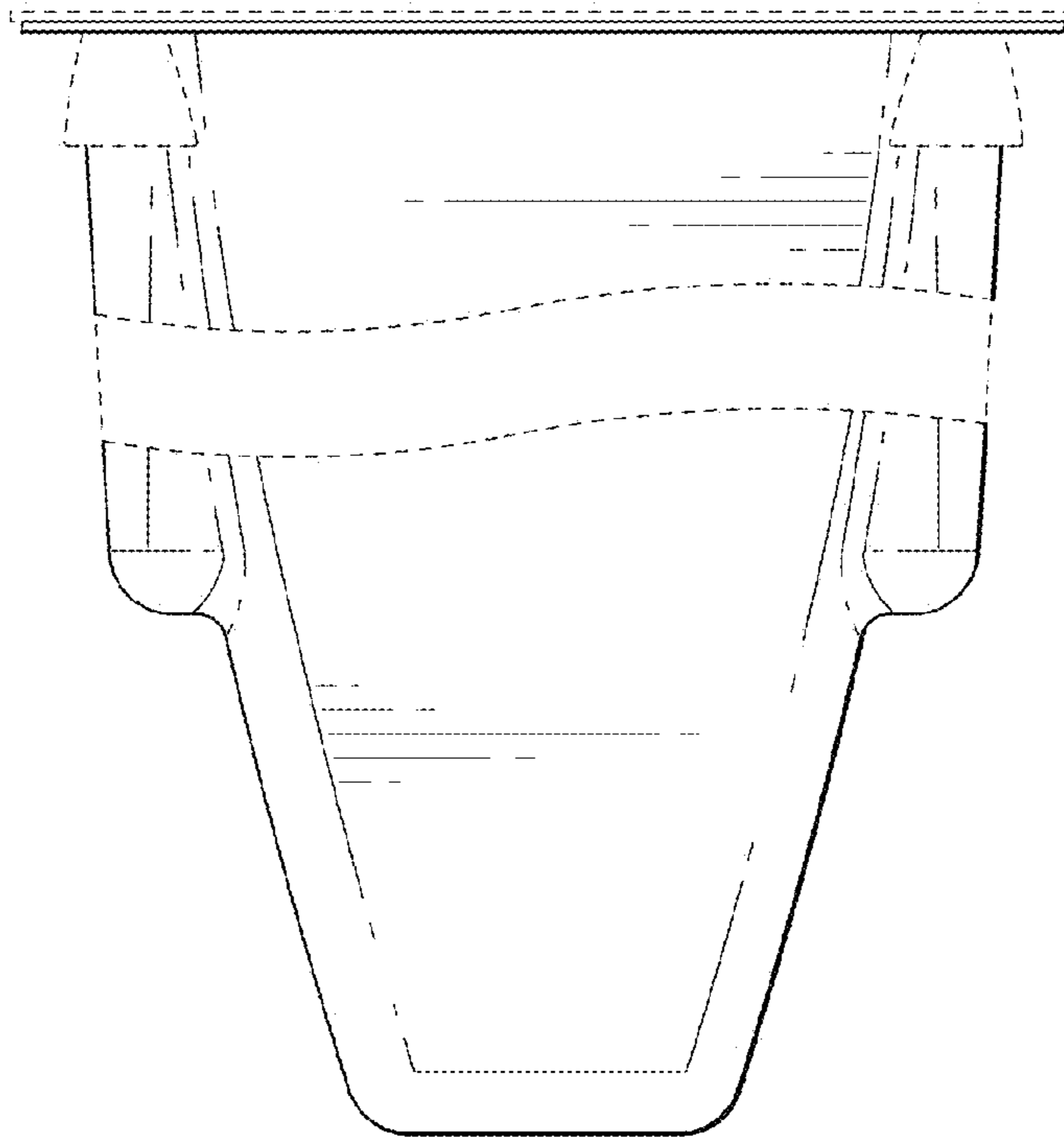


Fig. 6

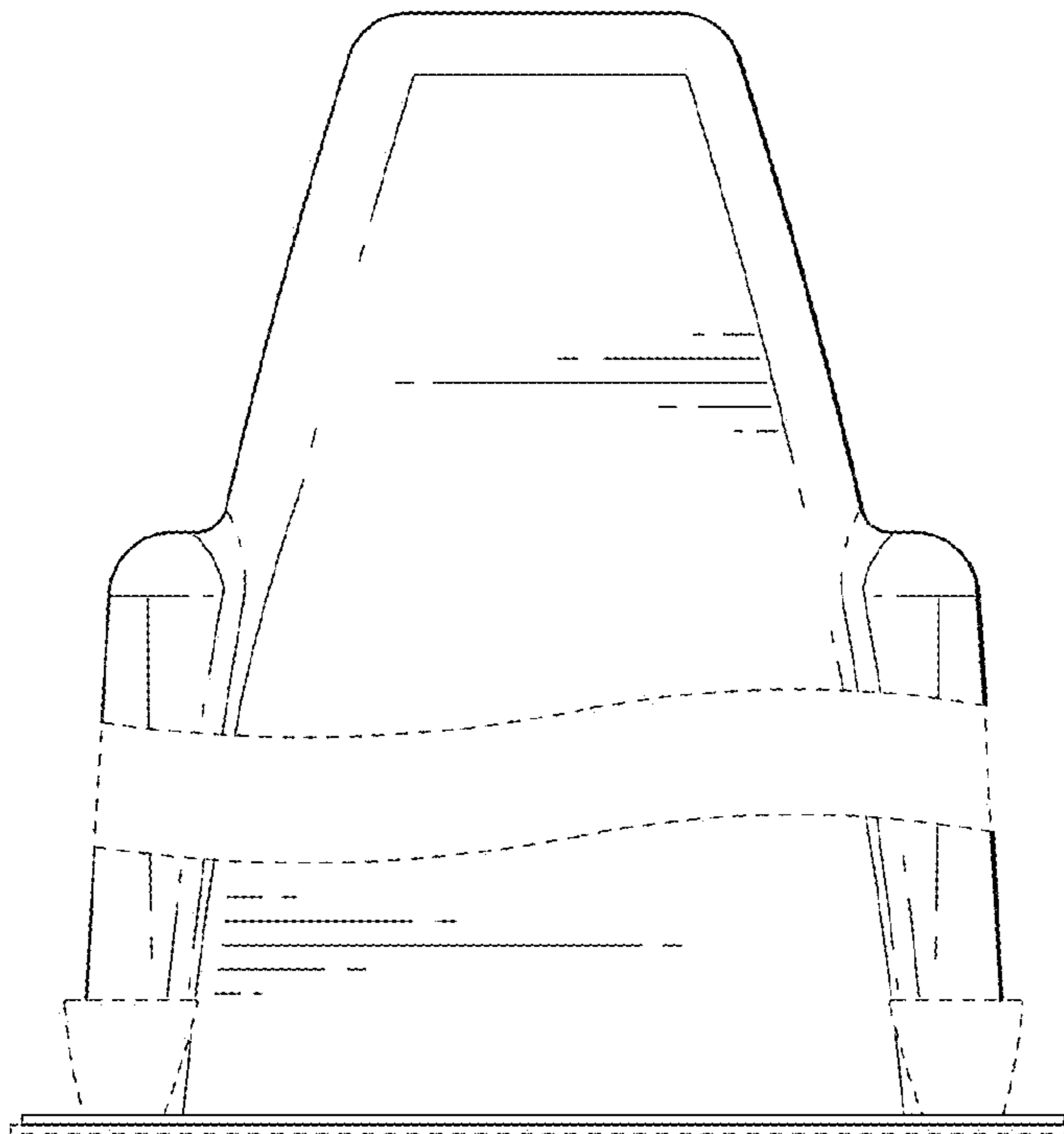


Fig. 7