



US00D743241S

(12) **United States Design Patent**  
**Nieves, Sr.**

(10) **Patent No.:** **US D743,241 S**

(45) **Date of Patent:** **\*\* Nov. 17, 2015**

(54) **UNIVERSAL SPACER KIT**

(71) Applicant: **Danny Niro Nieves, Sr.**, Lodi, NJ (US)

(72) Inventor: **Danny Niro Nieves, Sr.**, Lodi, NJ (US)

(\*\*) Term: **14 Years**

(21) Appl. No.: **29/449,980**

(22) Filed: **Mar. 15, 2013**

(51) **LOC (10) Cl.** ..... **08-05**

(52) **U.S. Cl.**  
USPC ..... **D8/354**

(58) **Field of Classification Search**  
USPC ..... D8/354  
CPC ..... A47F 5/00; A47H 1/10; E04G 5/06;  
A47G 29/00; A47G 29/08; A47B 97/00;  
H02G 3/123; B60R 2011/0005; B60K  
2350/941; B60K 37/04  
See application file for complete search history.

(56) **References Cited**

U.S. PATENT DOCUMENTS

3,735,497	A	5/1973	Boettcher	
4,584,226	A *	4/1986	Vitale et al.	428/105
4,850,114	A	7/1989	Vockins	
4,930,225	A	6/1990	Phillips	
4,955,142	A	9/1990	Rieck	
5,288,534	A	2/1994	Tavshanjian	
5,553,854	A *	9/1996	Rum	273/275
5,560,117	A	10/1996	Tallman	
D437,945	S	2/2001	Mast et al.	
6,508,010	B2	1/2003	Hanson et al.	
6,539,641	B2	4/2003	Belliveau	

D504,609	S *	5/2005	Ferguson	D8/380
6,973,735	B1	12/2005	Billiot	
D610,439	S *	2/2010	Wood	D8/381
D626,824	S *	11/2010	Wood	D8/381

\* cited by examiner

*Primary Examiner* — Holly Baynham

(74) *Attorney, Agent, or Firm* — Lawrence G. Fridman, Esq.

(57) **CLAIM**

The ornamental design for a universal spacer kit, as shown and described.

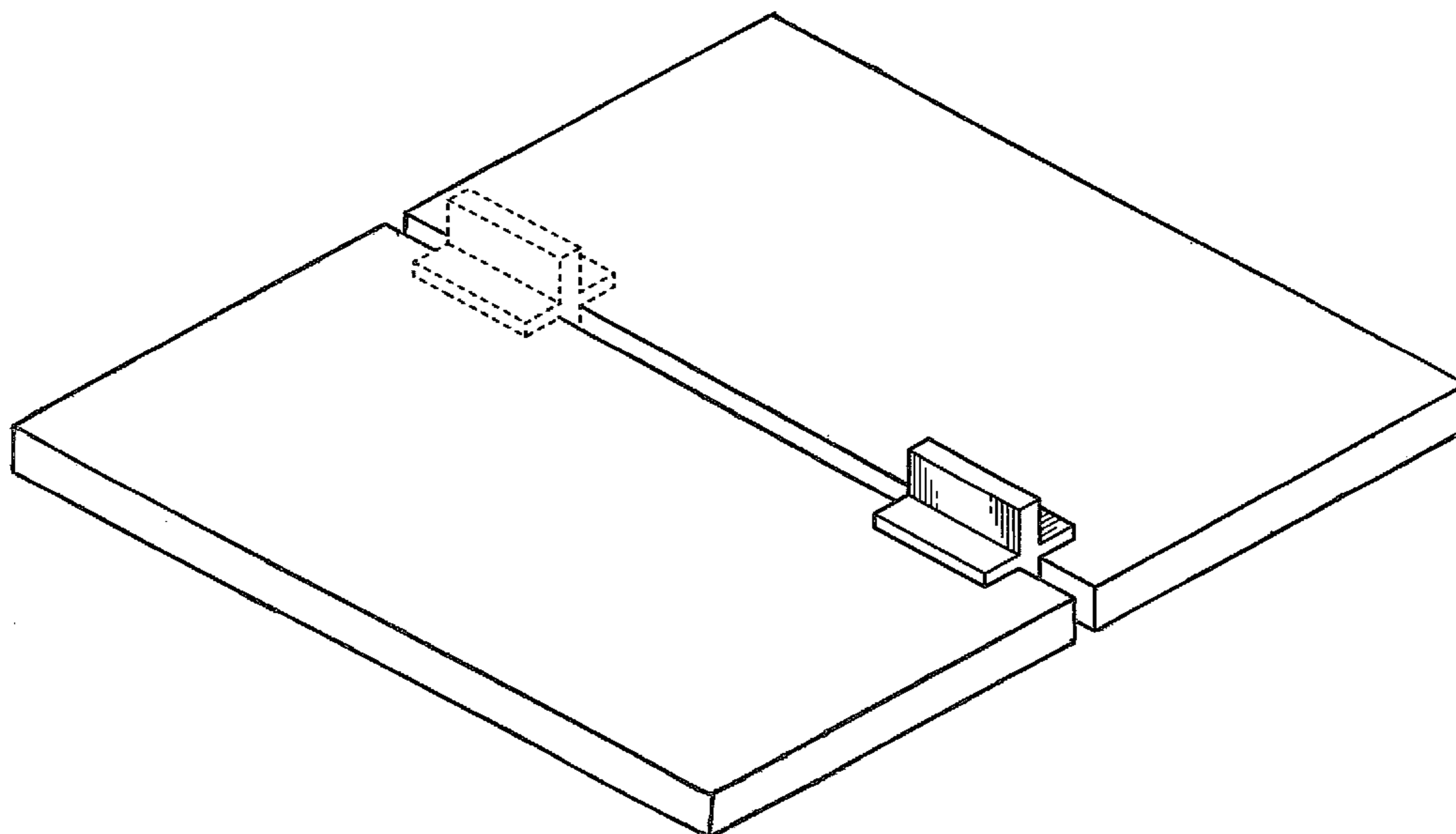
**DESCRIPTION**

FIG. 1 is a perspective view of a universal spacer kit according to my new design;  
 FIG. 2 is front perspective view of the spacer detached from the kit;  
 FIG. 3 is a front elevational view thereof;  
 FIG. 4 is a side elevational view thereof;  
 FIG. 5 is top plan view thereof;  
 FIG. 6 is a front perspective view of a second embodiment of the design shown in FIG. 1, the undisclosed opposite side and plan views are similar to the first embodiment except for the thickness; and,  
 FIG. 7 is a front perspective view of a third embodiment of the design shown in FIG. 1, the undisclosed opposite side and plan views are similar to the first embodiment except for the thickness.

The broken lines showing a second spacer is for the purposes of illustrating environment and forms no part of the claimed design.

The spacer element has been shown detached from the view of FIG. 1 for clarity and ease of illustration.

**1 Claim, 4 Drawing Sheets**



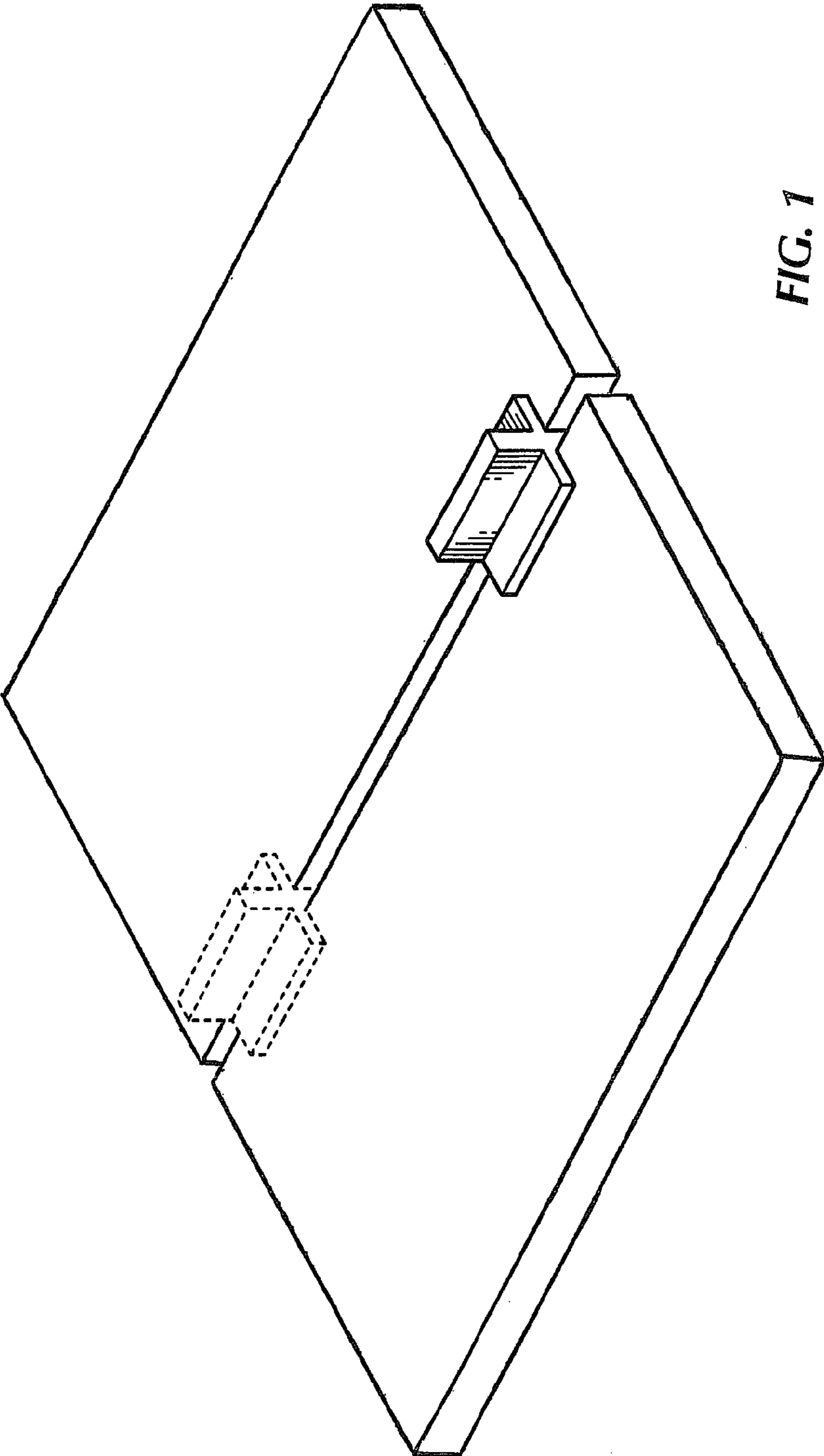
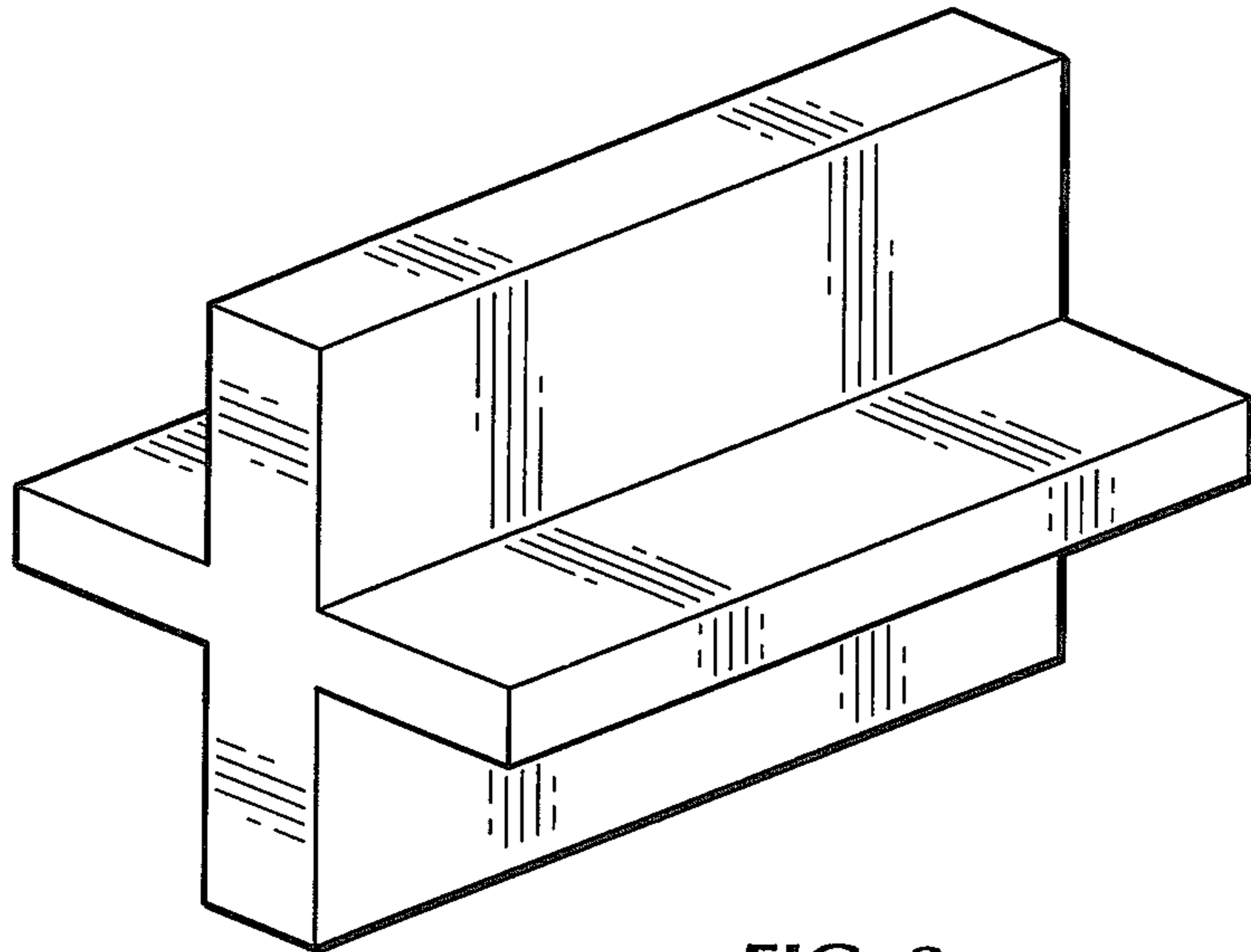
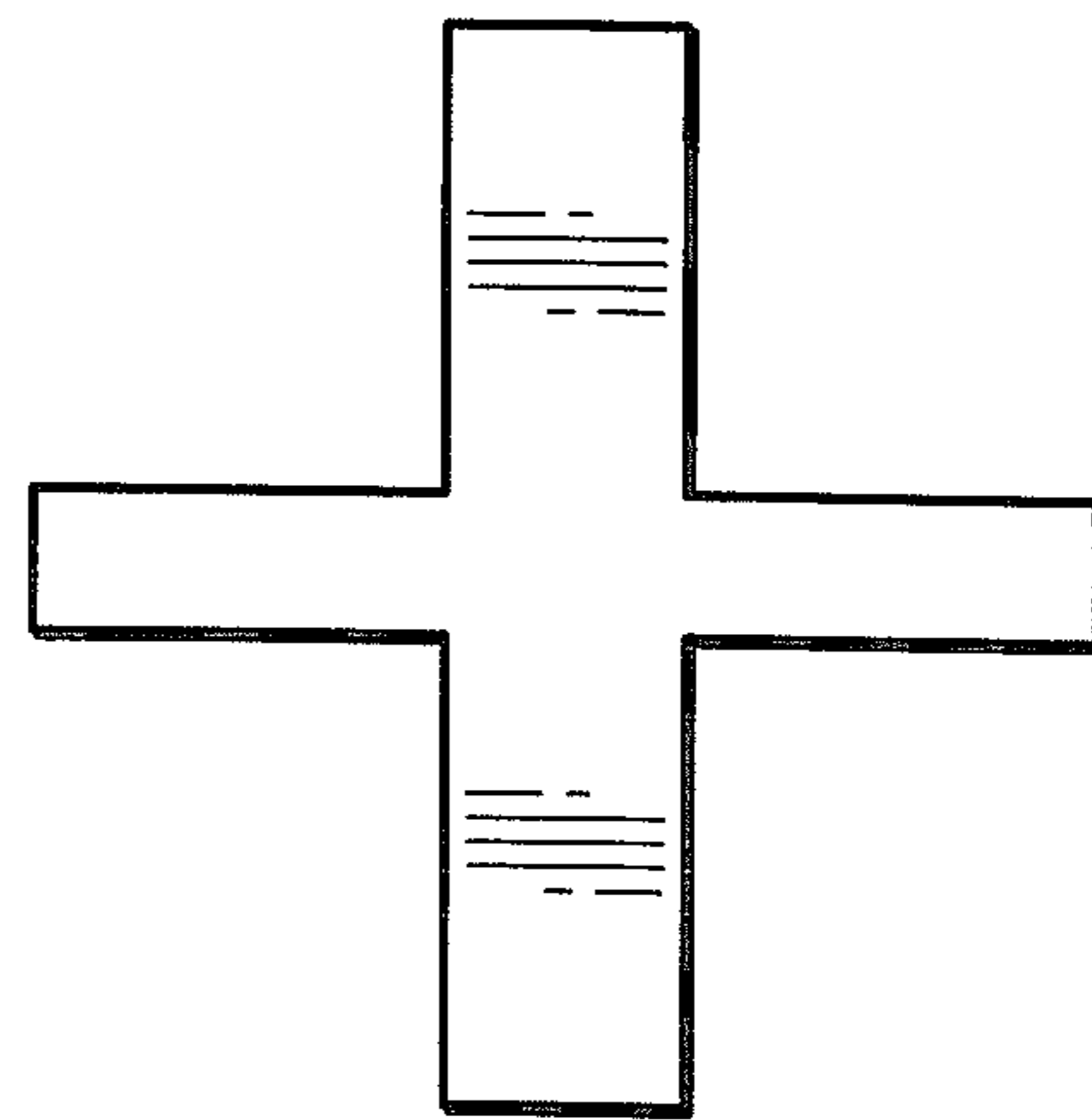


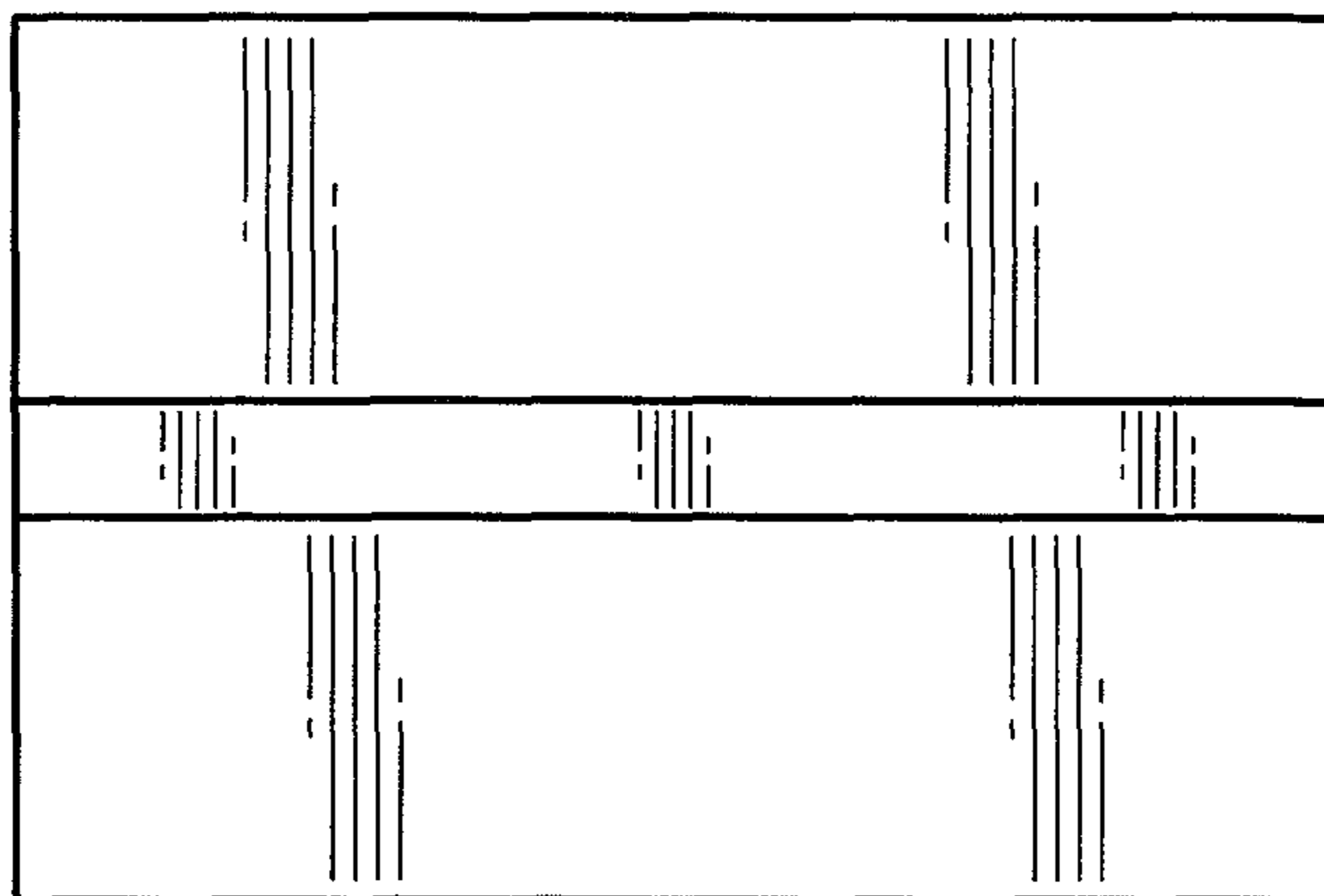
FIG. 1



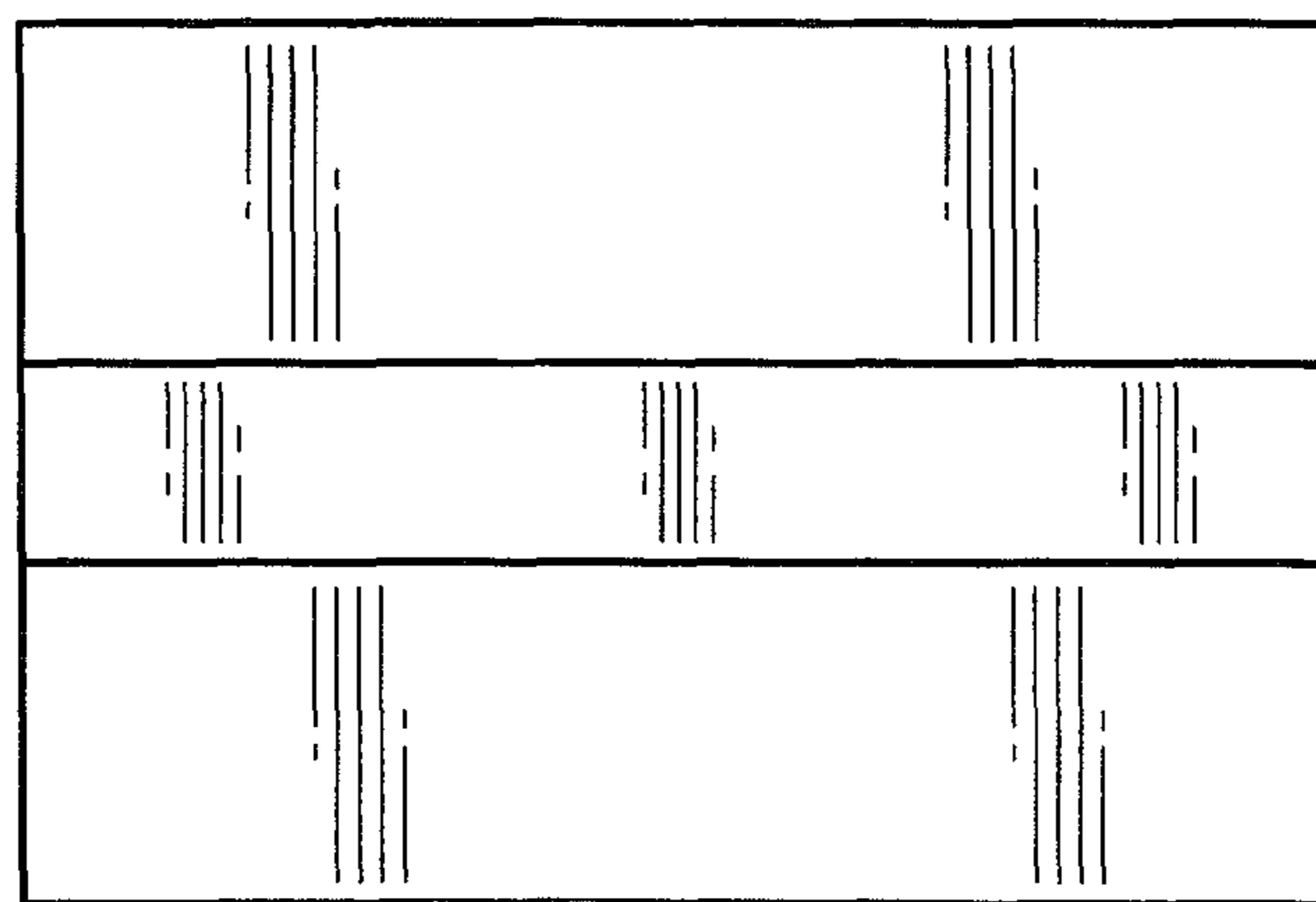
*FIG. 2*



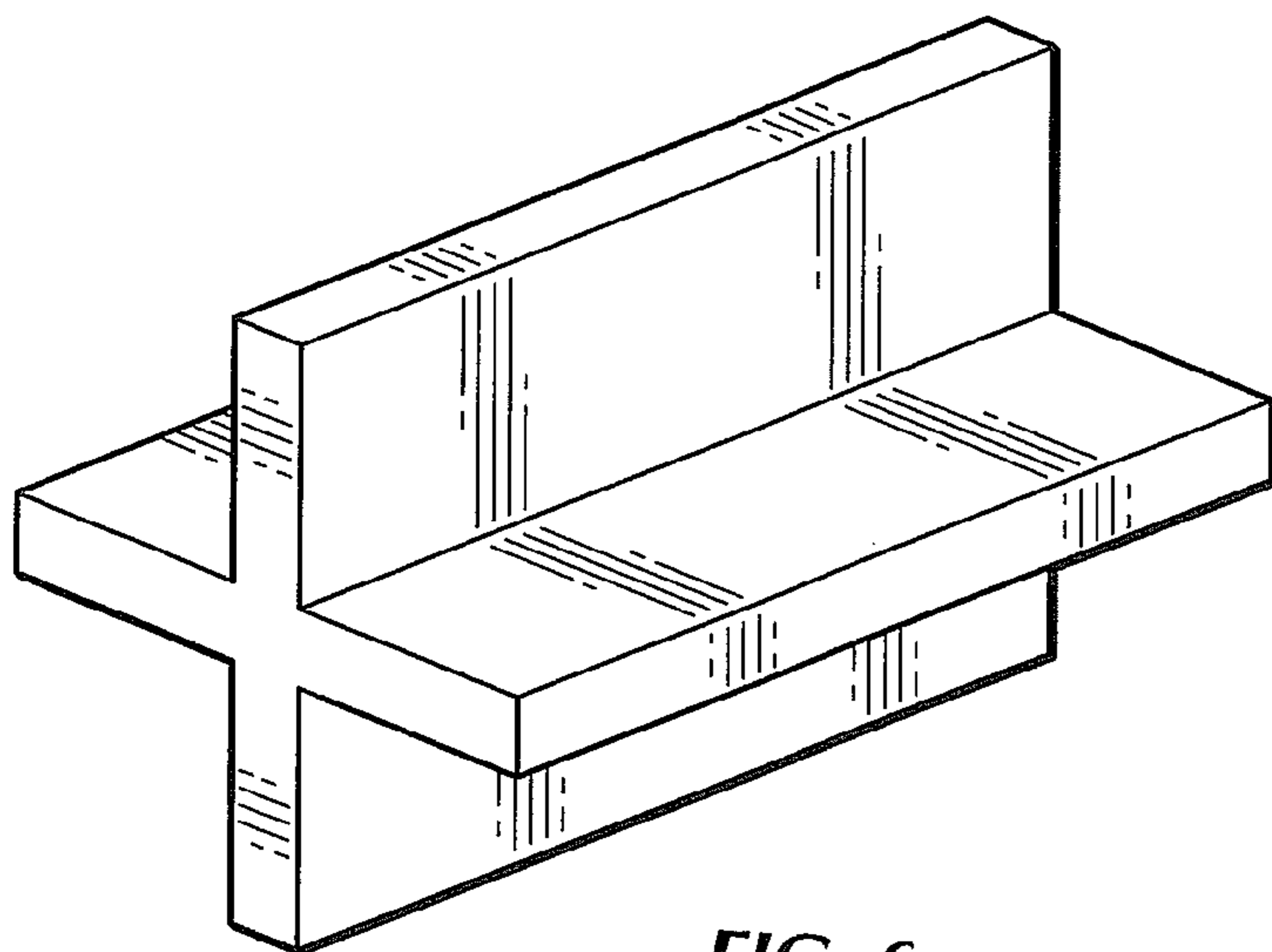
*FIG. 3*



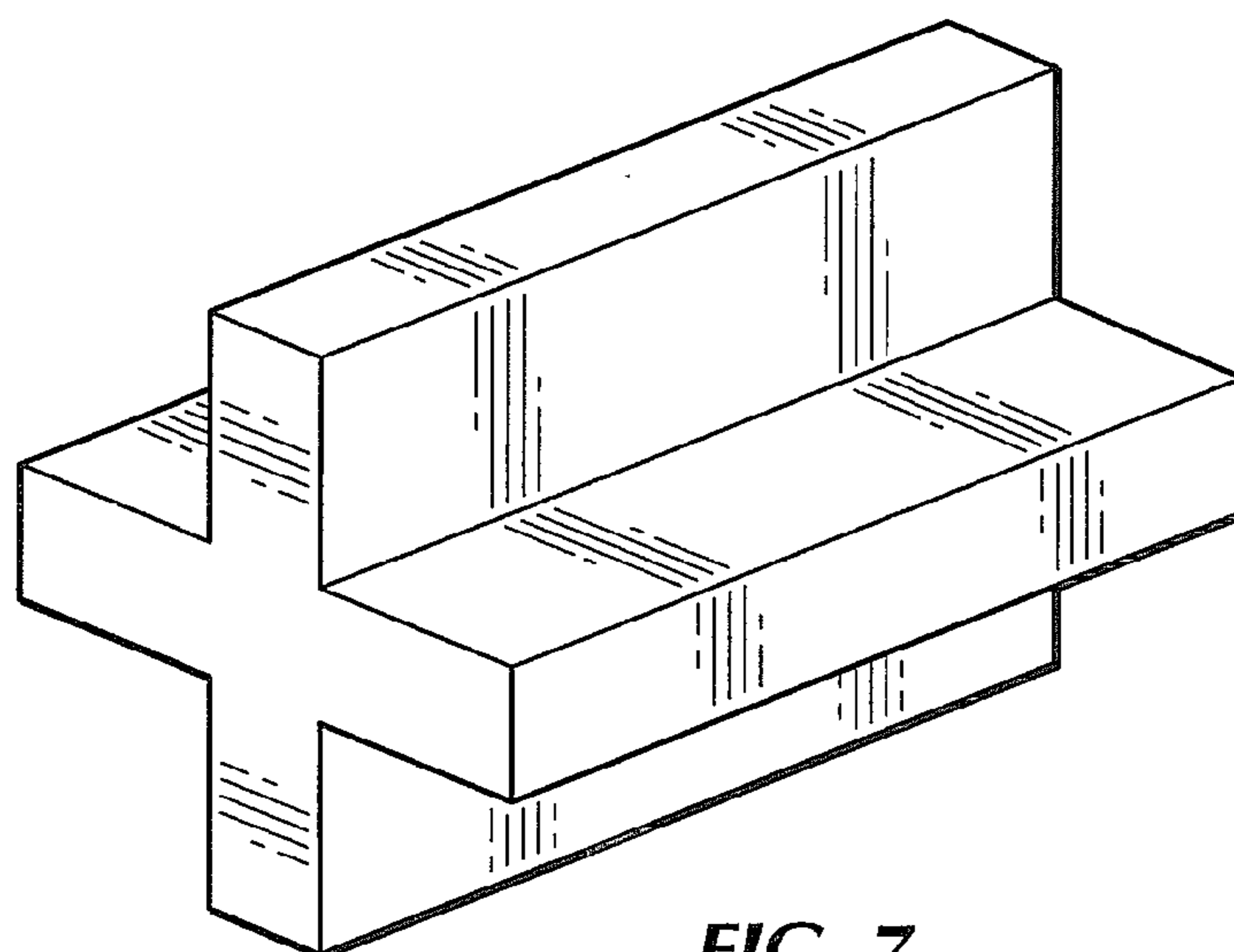
**FIG. 4**



**FIG. 5**



*FIG. 6*



*FIG. 7*