



US00D743237S

(12) **United States Design Patent**  
**Cummings**

(10) **Patent No.:** **US D743,237 S**

(45) **Date of Patent:** **\*\* Nov. 17, 2015**

(54) **DOOR HANDLESET**

E05B 77/06; E05B 79/06; E05B 85/18;  
E05B 85/12; E05B 85/10; E05B 7/00; E05B  
1/0053; E05B 77/265

(71) Applicant: **Sure-Loc Hardware, Inc.**, Park City,  
UT (US)

See application file for complete search history.

(72) Inventor: **Bruce Cummings**, Park City, UT (US)

(56) **References Cited**

(73) Assignee: **Sure-Loc Hardware, Inc.**, Salt Lake  
City, UT (US)

U.S. PATENT DOCUMENTS

(\*\*) Term: **14 Years**

2,001,666	A	*	5/1935	Keil	.....	16/444
D280,073	S	*	8/1985	Wildgen	.....	D8/301
D280,074	S	*	8/1985	Wildgen	.....	D8/302
4,671,089	A	*	6/1987	Fleming et al.	.....	70/452
D499,950	S	*	12/2004	Roberts, III	.....	D8/302
D502,086	S	*	2/2005	Denoual	.....	D8/302
D579,302	S	*	10/2008	Roberts, III	.....	D8/302
D664,420	S	*	7/2012	Mattson et al.	.....	D8/302

(21) Appl. No.: **29/498,577**

(22) Filed: **Aug. 5, 2014**

(51) **LOC (10) Cl.** ..... **08-06**

\* cited by examiner

(52) **U.S. Cl.**

USPC ..... **D8/302**

*Primary Examiner* — Derrick Holland

*Assistant Examiner* — Lauren Calve

(58) **Field of Classification Search**

USPC ..... D8/300–302, 307–309, 310, 311,  
D8/DIG. 10; D23/250, 252; 292/336.3;  
74/523, 543; 70/192, 201, 206, 207;  
16/110.1, 412, 416, DIG. 30

(57) **CLAIM**

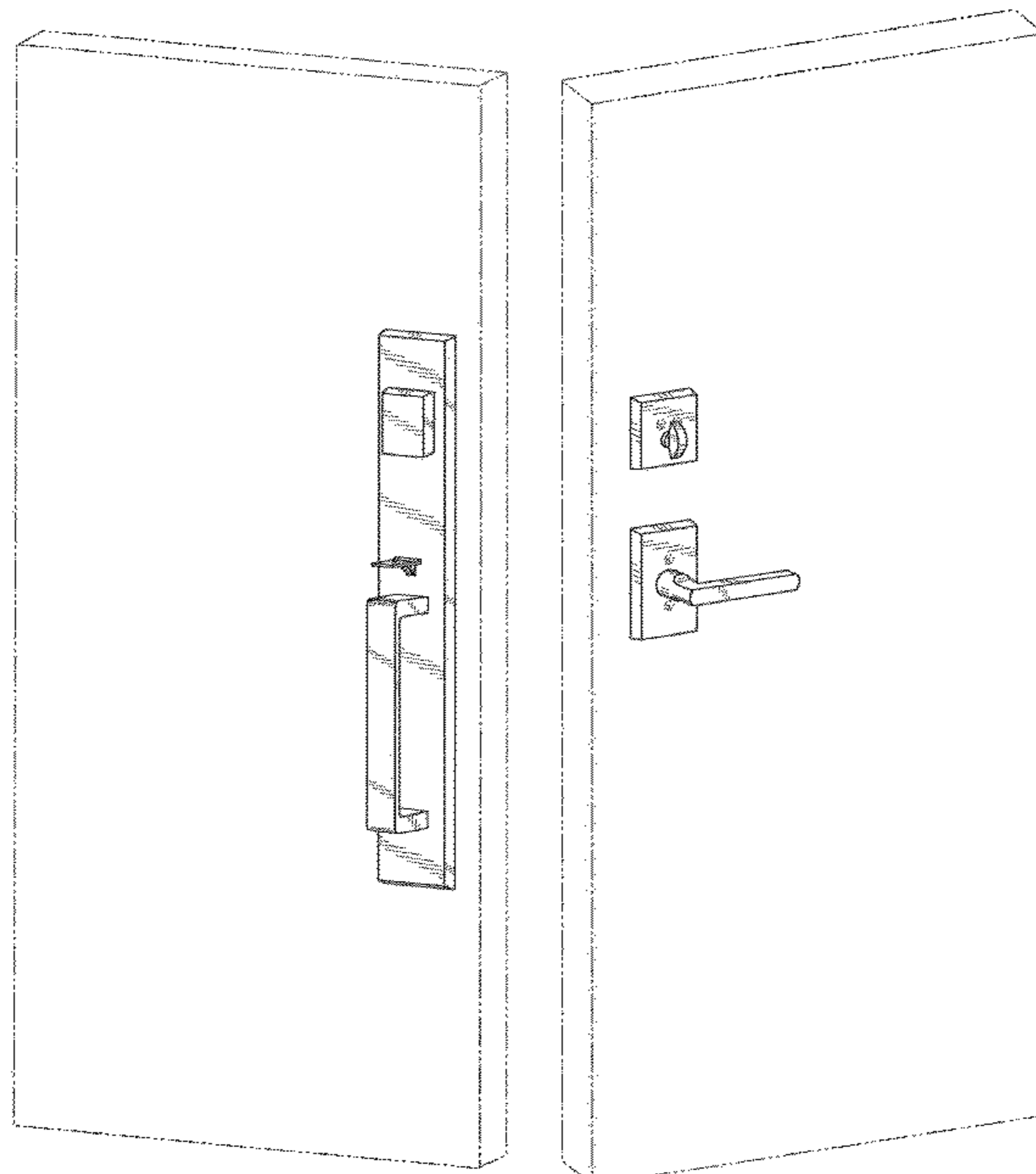
The ornamental design for a door handleset, as shown and described.

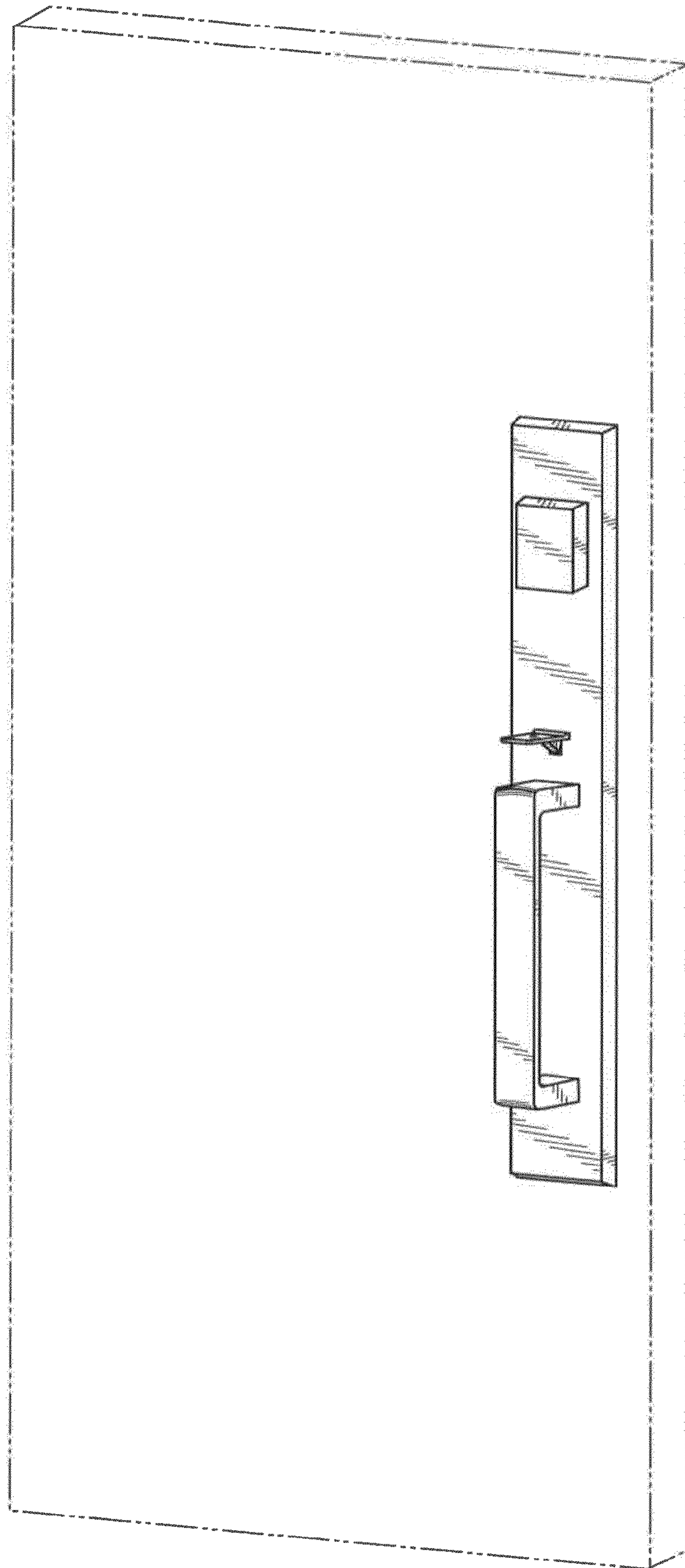
CPC ..... Y10T 16/44; Y10T 74/20612; Y10T  
74/20732; Y10T 16/458; Y10T 16/498;  
Y10T 16/469; Y10T 16/476; Y10T 74/20744;  
Y10T 74/20864; Y10T 16/4628; Y10T  
74/20642; Y10T 16/473; Y10T 74/20762;  
Y10T 74/2042; Y10T 74/20828; Y10T  
16/459; Y10T 16/4713; Y10T 74/2014;  
Y10T 16/50; Y10T 74/20438; Y10T  
74/20582; Y10T 74/20738; Y10T 16/48;  
Y10T 74/20618; Y10T 74/20684; Y10T  
74/20624; Y10T 74/20468; Y10T 16/61;  
Y10T 16/4719; Y10T 16/86; Y10S 16/30;  
Y10S 292/31; Y10S 292/53; Y10S 16/12;  
Y10S 292/23; Y10S 292/27; Y10S 292/30;  
Y10S 292/63; E05B 85/16; E05B 1/0015;

**DESCRIPTION**

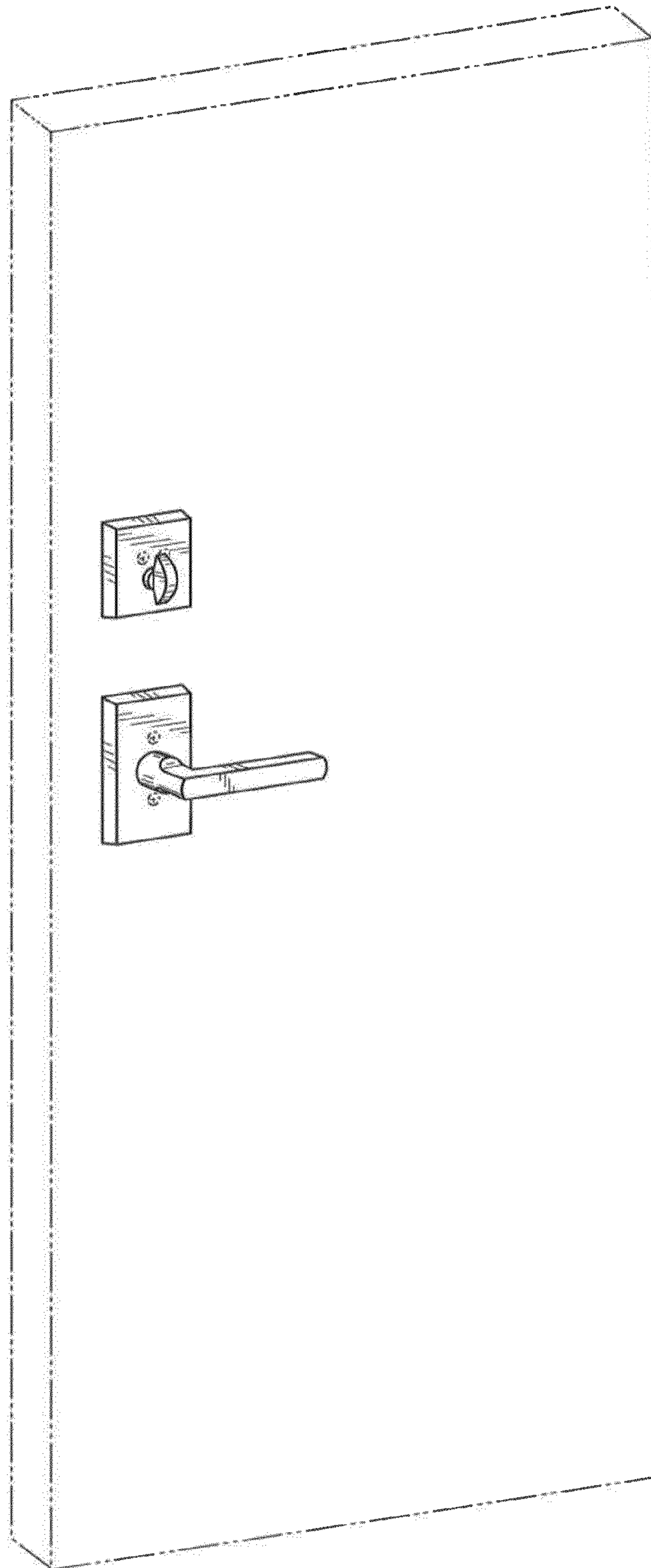
FIG. 1 is a front perspective view of a door handleset in accordance with the present invention;  
FIG. 2 is a rear perspective view thereof;  
FIG. 3 is a front view thereof;  
FIG. 4 is a rear view thereof;  
FIG. 5 is a side view thereof;  
FIG. 6 is an opposite side view thereof;  
FIG. 7 is a top view thereof; and,  
FIG. 8 is a bottom view thereof.  
The broken lines shown represent unclaimed subject matter and form no part of the claimed design.

**1 Claim, 7 Drawing Sheets**



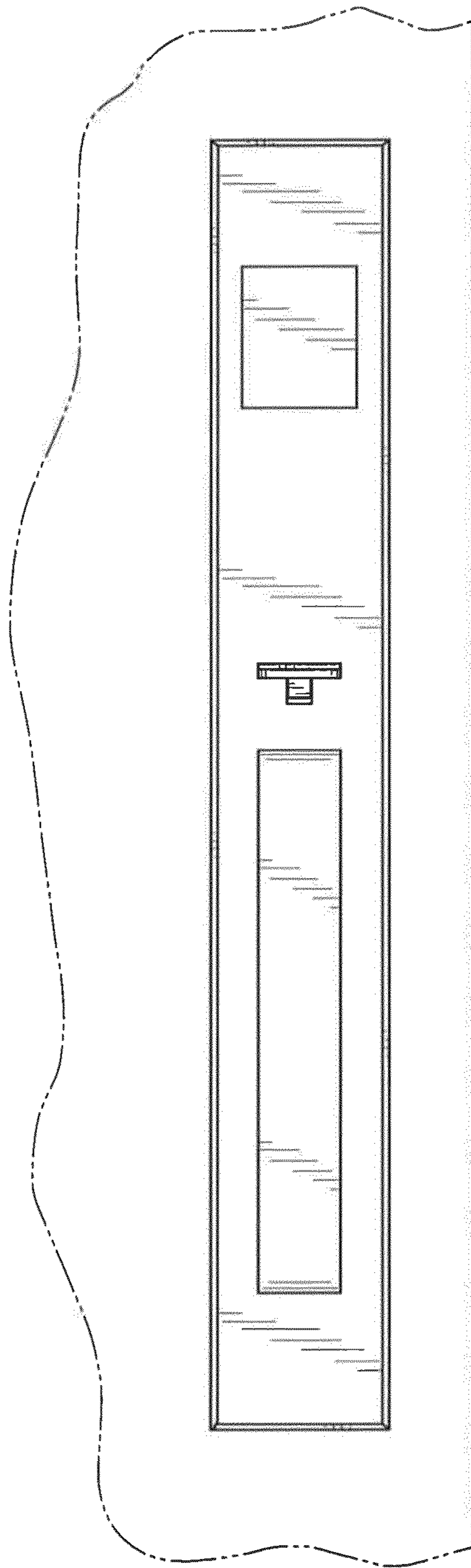


**FIG. 1**

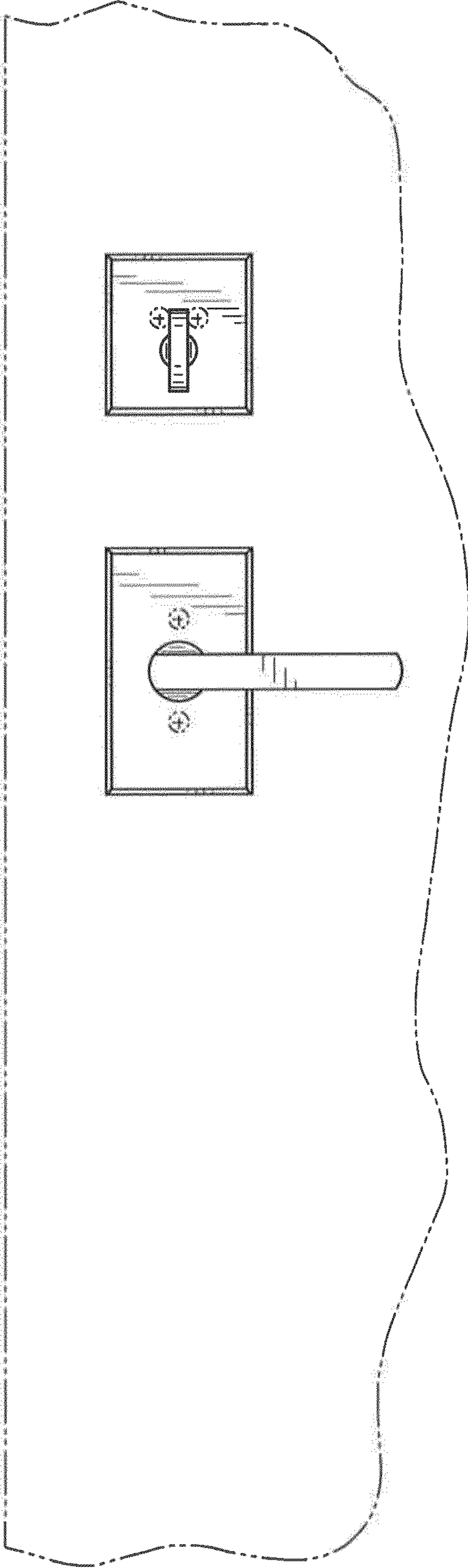


**FIG. 2**





**FIG. 3**



**FIG. 4**

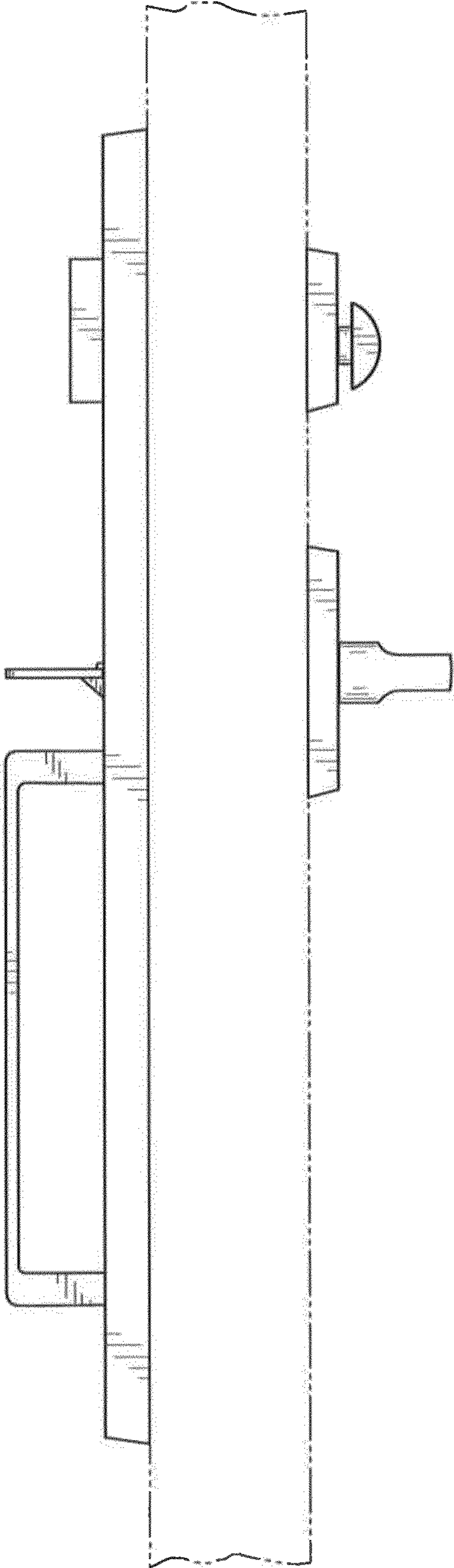
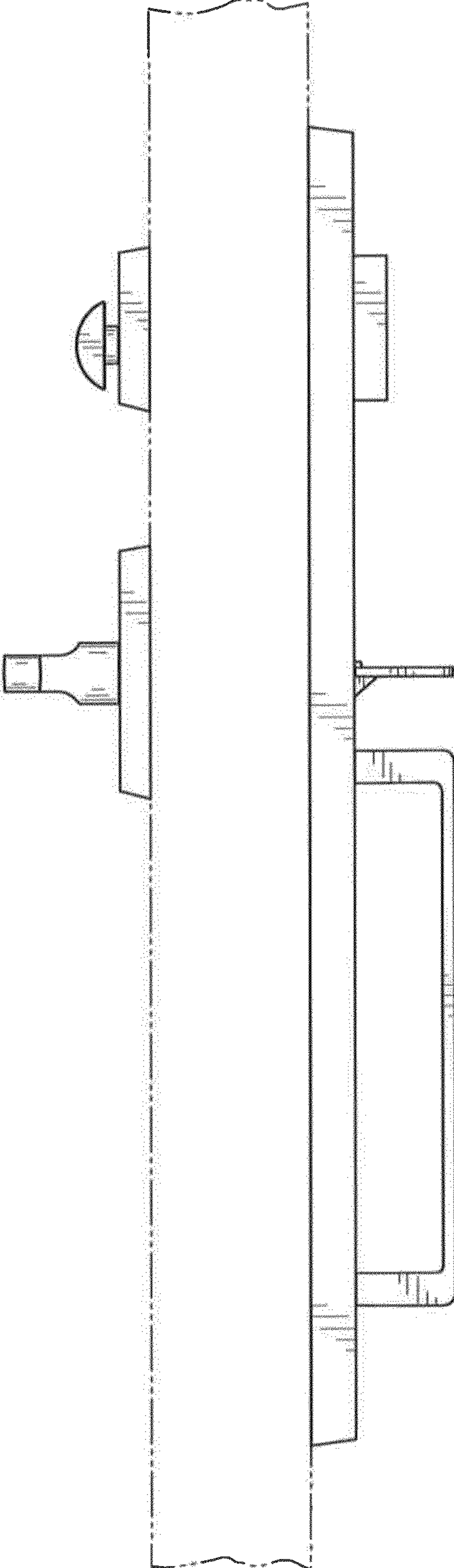
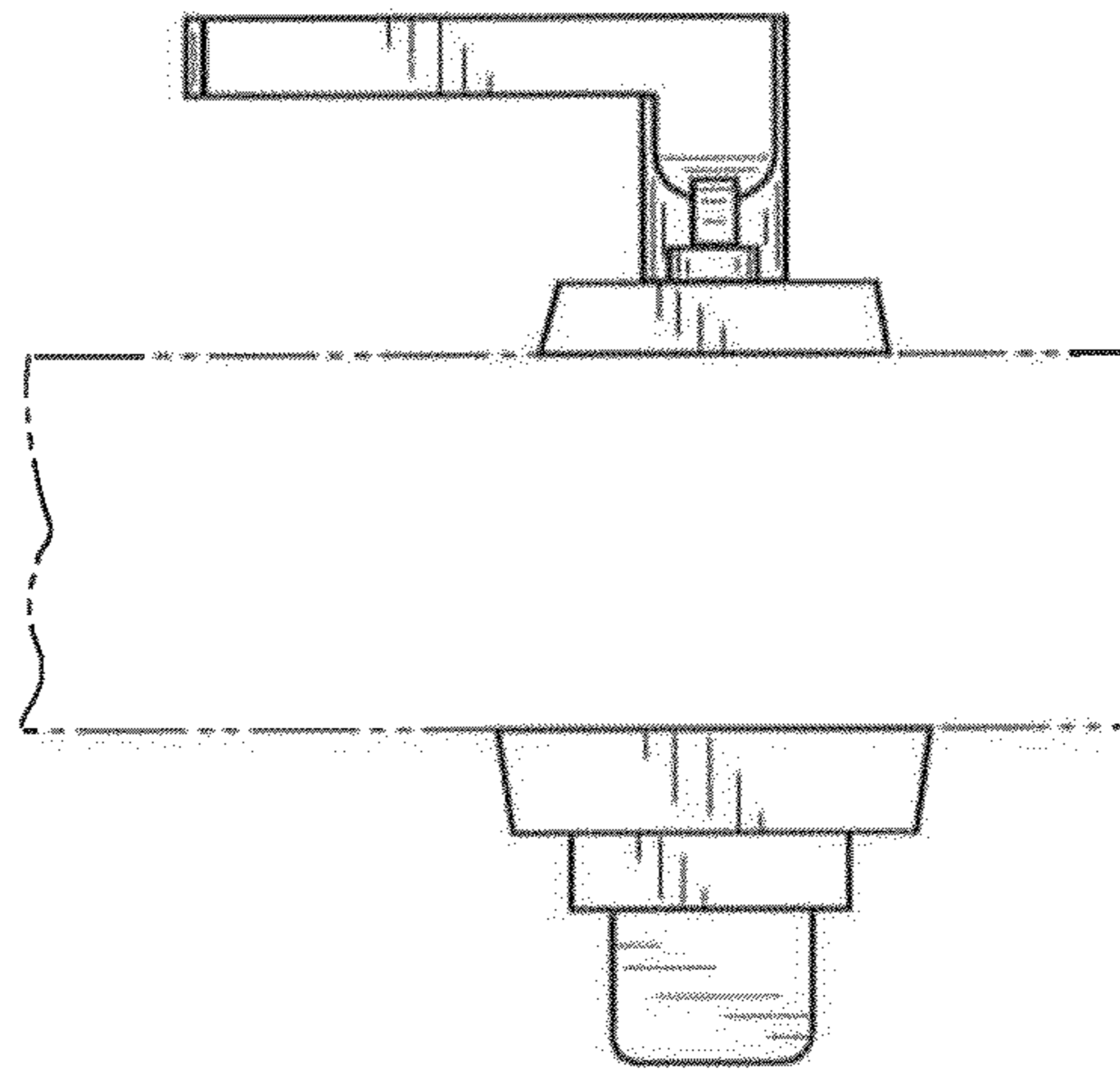


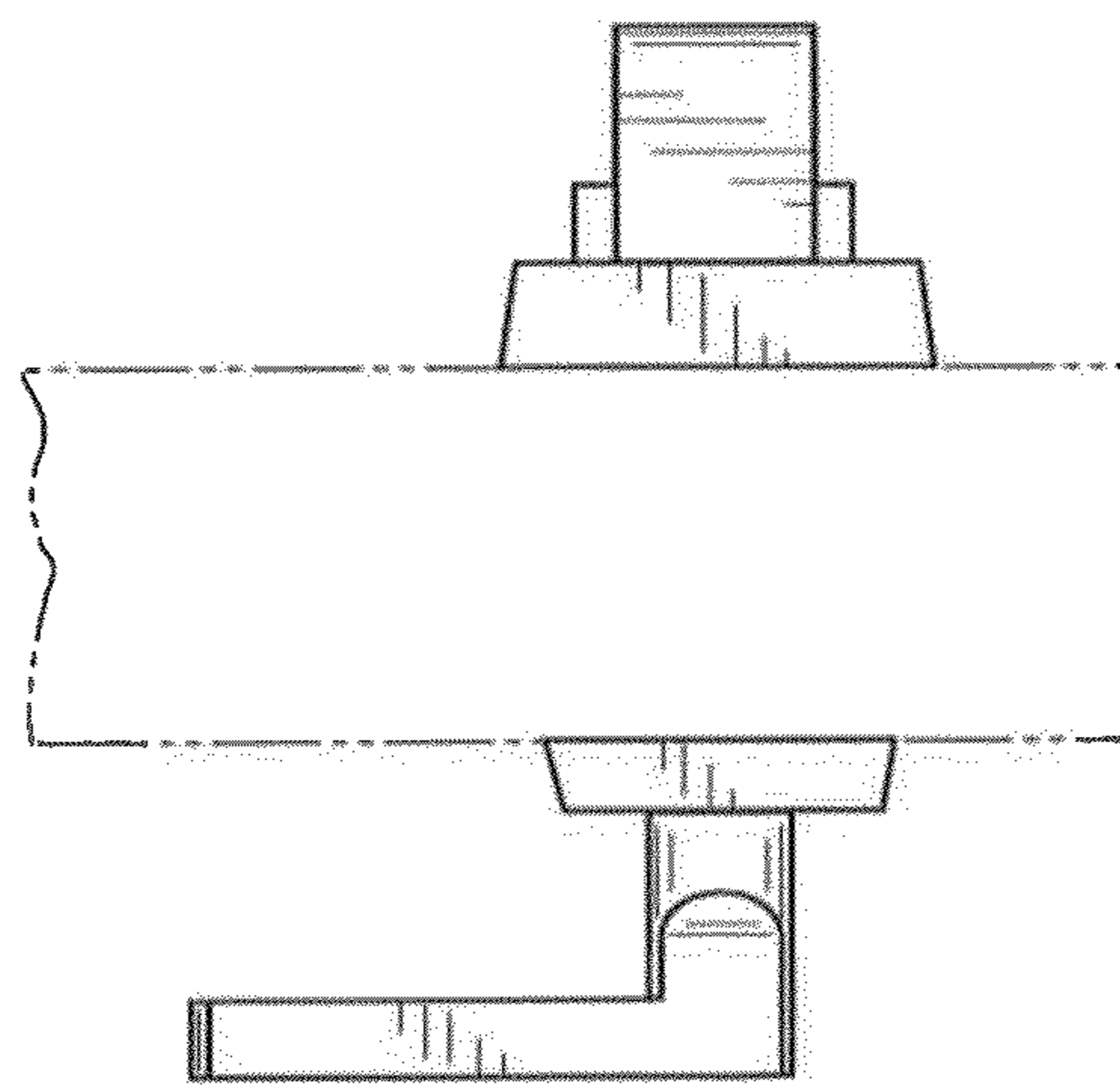
FIG. 5



**FIG. 6**



**FIG. 7**



**FIG. 8**