



US00D743236S

(12) **United States Design Patent**  
**Fischer**

(10) **Patent No.:** **US D743,236 S**

(45) **Date of Patent:** **\*\* Nov. 17, 2015**

(54) **COMPAC UTILITY KNIFE INCORPORATING  
A BOTTLE OPENER AND KEYCHAIN  
ATTACHMENT**

5,054,198	A *	10/1991	Gmoch	30/2
D328,229	S *	7/1992	Gmoch	D8/99
5,285,574	A *	2/1994	Feltner	30/2
6,035,534	A *	3/2000	Abbott	30/2
D660,124	S *	5/2012	Mashburn et al.	D8/99

(71) Applicant: **Brett William Fischer**, Lee's Summit,  
MO (US)

\* cited by examiner

(72) Inventor: **Brett William Fischer**, Lee's Summit,  
MO (US)

*Primary Examiner* — Phillip S Hyder

(\*\*) Term: **14 Years**

(57) **CLAIM**

The ornamental design for a compact utility knife incorporating a bottle opener and keychain attachment, as shown and described.

(21) Appl. No.: **29/500,293**

**DESCRIPTION**

(22) Filed: **Aug. 24, 2014**

(51) **LOC (10) Cl.** ..... **08-03**

(52) **U.S. Cl.**  
USPC ..... **D8/99**

(58) **Field of Classification Search**  
USPC ..... D8/14, 17, 18, 21, 98, 99, 105;  
D22/118; 30/162  
CPC ..... B26B 3/06; B26B 1/08; B26B 5/00;  
B26B 5/001; B26B 5/003; B26B 5/005;  
B26B 5/006  
See application file for complete search history.

FIG. 1 is a top perspective view of a compact utility knife incorporating a bottle opener and keychain attachment showing my new design, wherein the blade lock is in the open position;

FIG. 2 is a front elevation view of FIG. 1,  
FIG. 3 is a front elevation view thereof, where in the lock is in the closed position;

FIG. 4 is another front elevation view like FIG. 3 but with the broken line showing of the blade omitted,

FIG. 5 is a rear elevation view thereof, wherein the lock is in the closed position;

FIG. 6 is a top plan view thereof;

FIG. 7 is a bottom plan view thereof;

FIG. 8 is a left elevation view thereof;

FIG. 9 is a right elevation view thereof; and,

FIG. 10 is an environmental drawing showing the utility knife opening a bottle with the bottle opener.

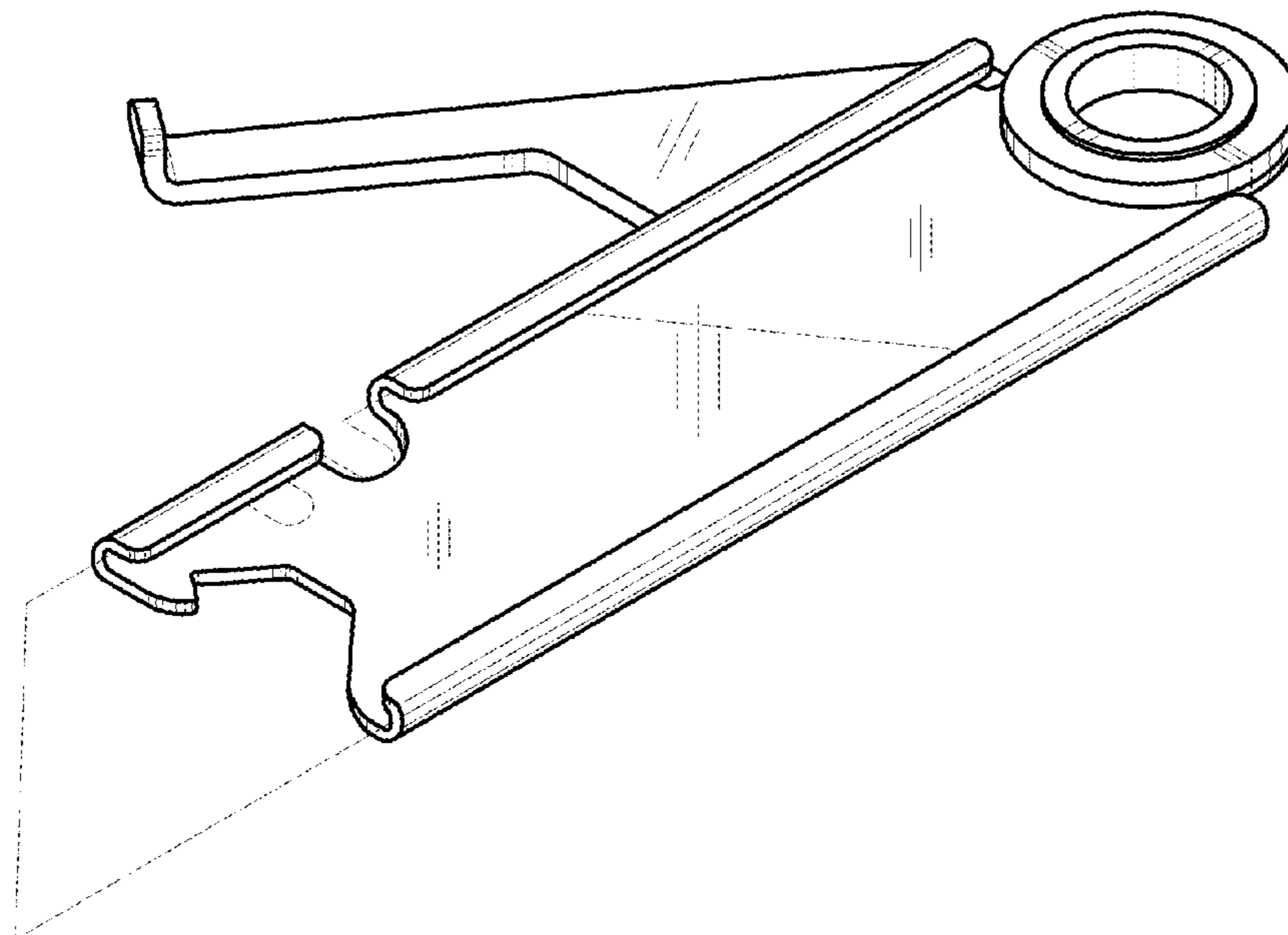
The broken lines showing a blade, bottle and bottle cap depict environmental subject matter only and form no part of the claimed design.

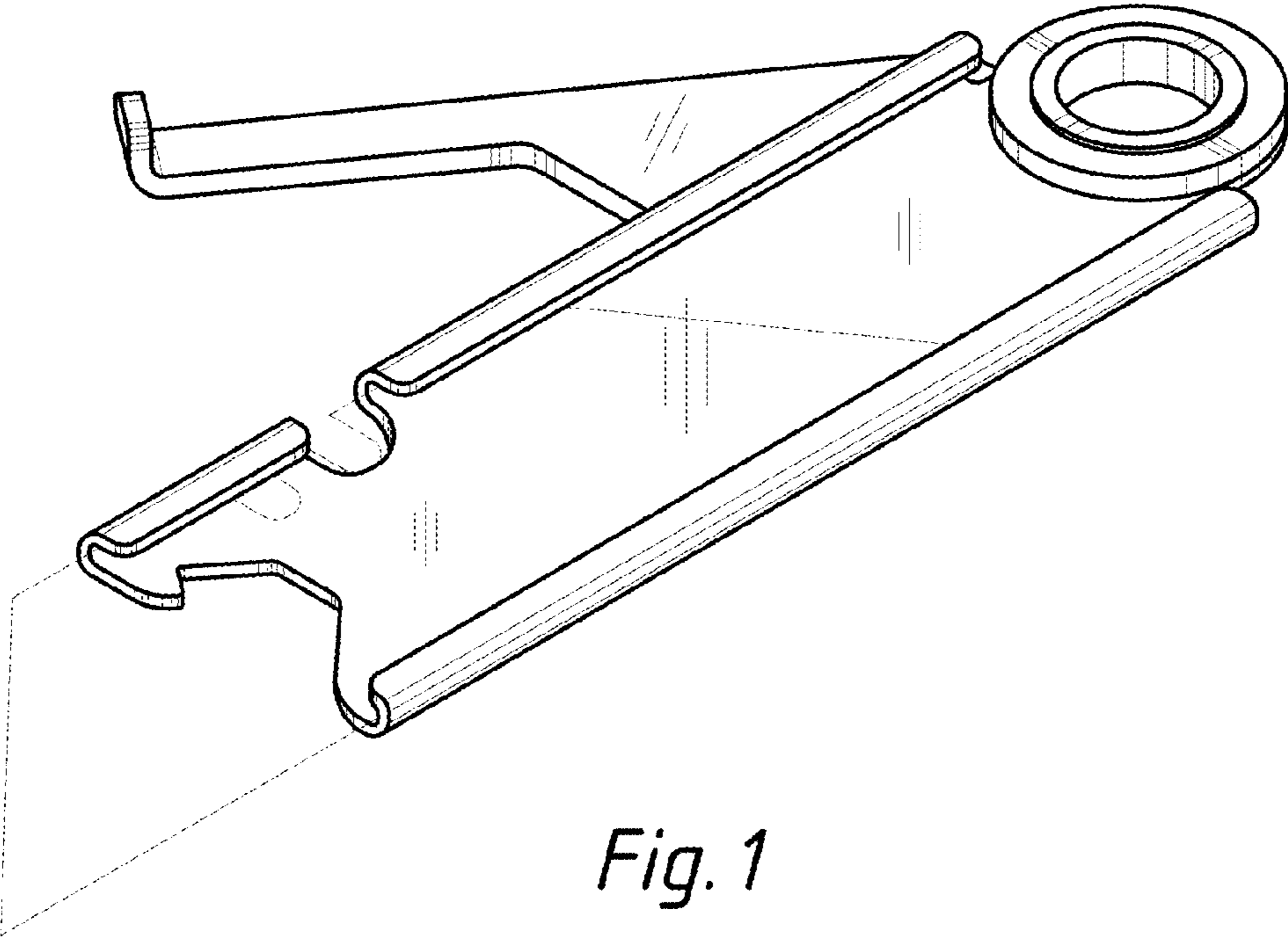
(56) **References Cited**

**U.S. PATENT DOCUMENTS**

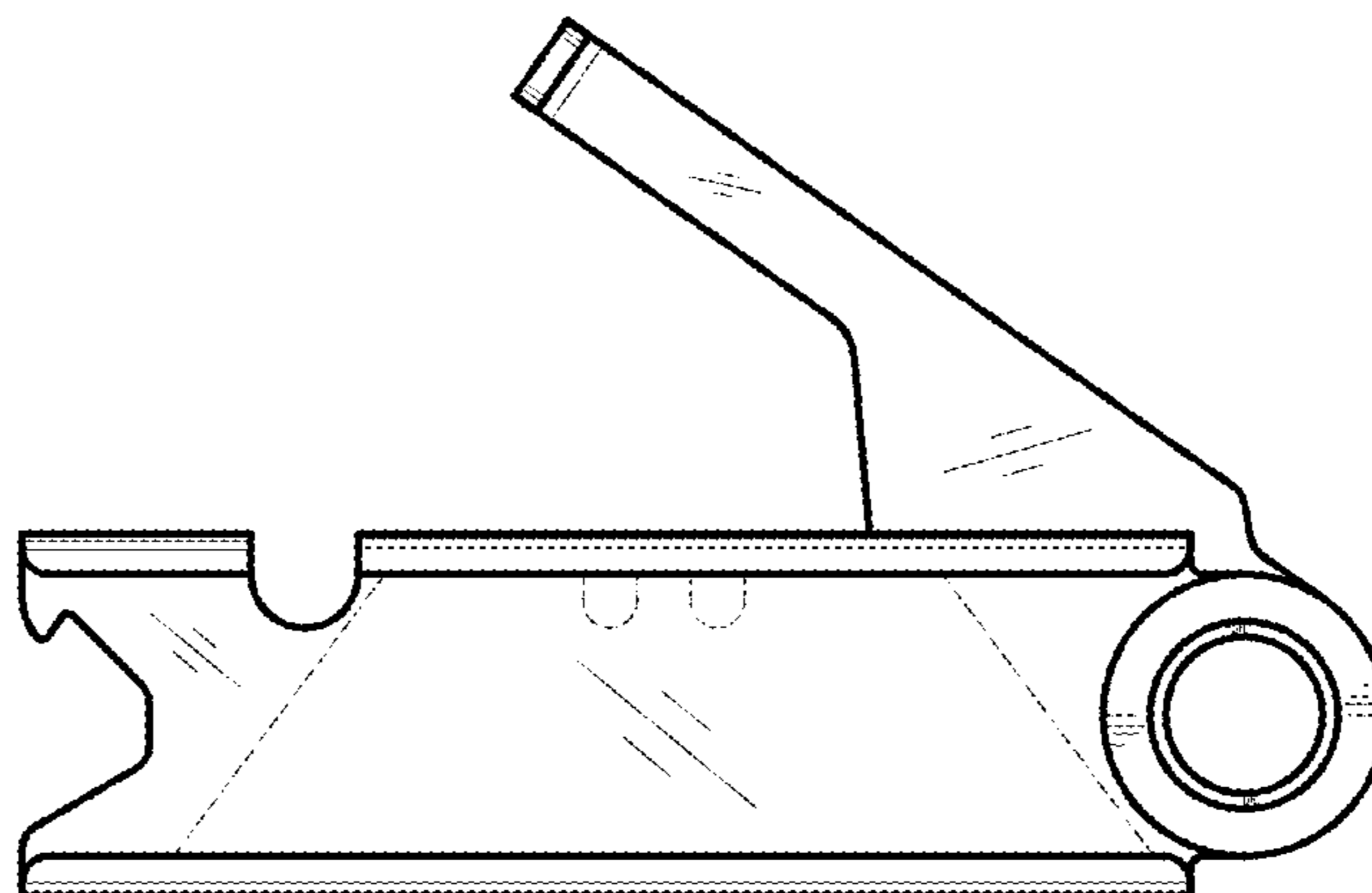
1,496,927	A *	6/1924	Evers	30/162
2,464,408	A *	3/1949	Lightburn	30/162
2,984,003	A *	5/1961	Minton	30/162
3,406,447	A *	10/1968	Travlos	30/2
3,448,518	A *	6/1969	Sklar	30/162
3,621,570	A *	11/1971	Kolde et al.	30/162
4,570,342	A *	2/1986	Baum	30/162
4,744,146	A *	5/1988	Schmidt	30/162

**1 Claim, 4 Drawing Sheets**

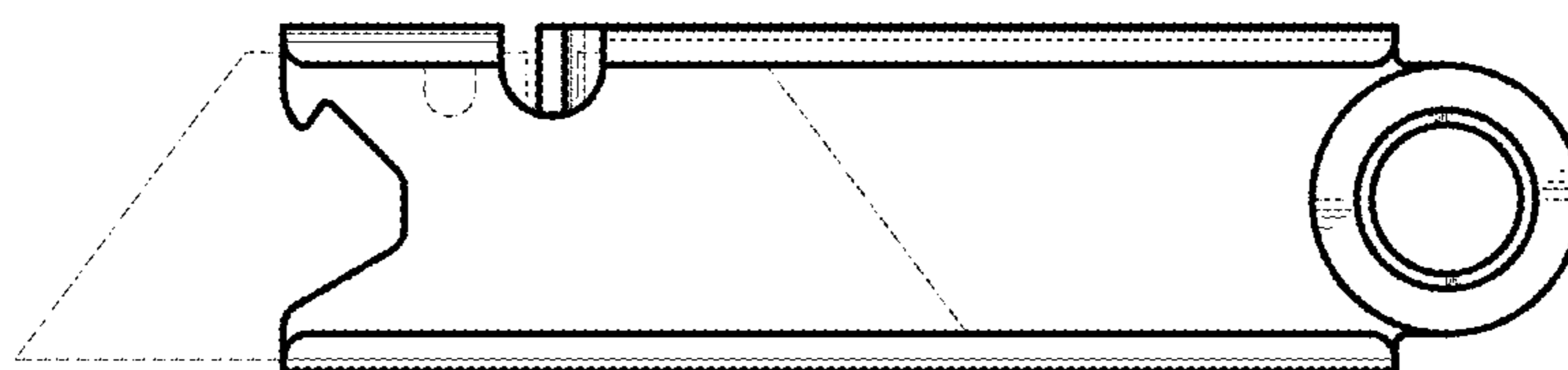




*Fig. 1*



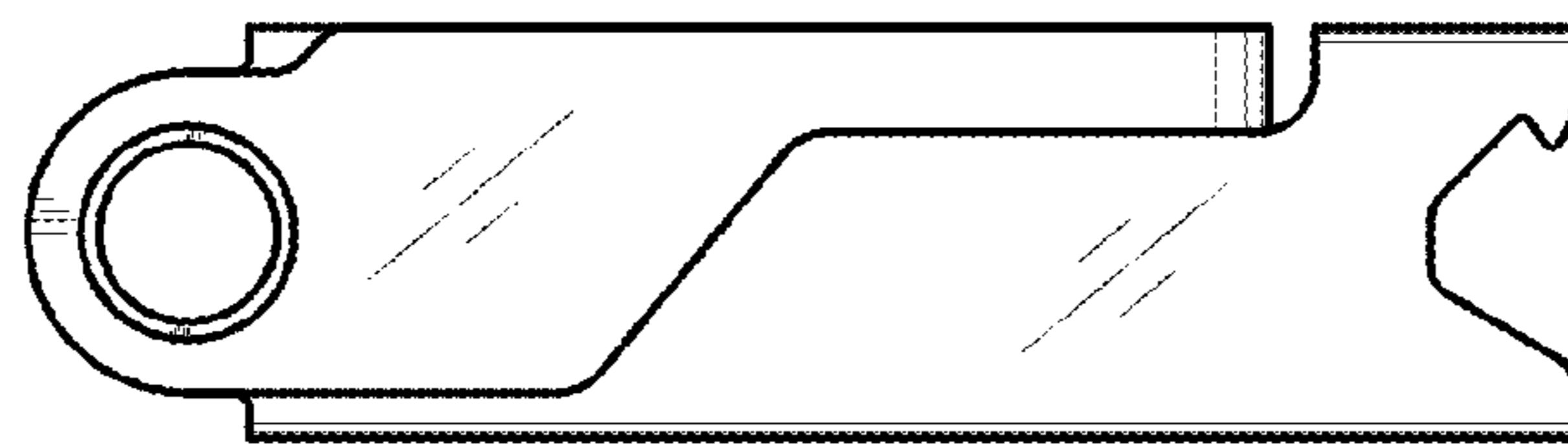
*Fig. 2*



*Fig. 3*



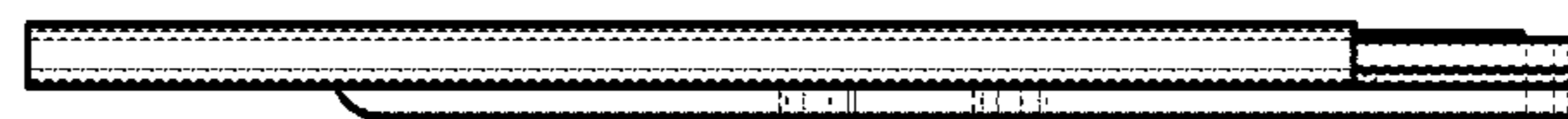
*Fig. 4*



*Fig. 5*



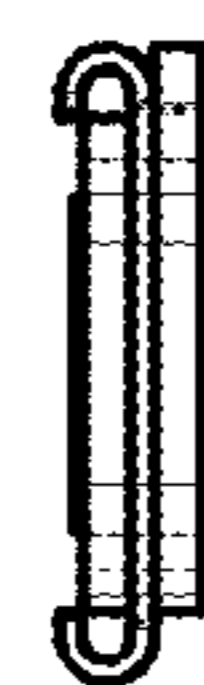
*Fig. 6*



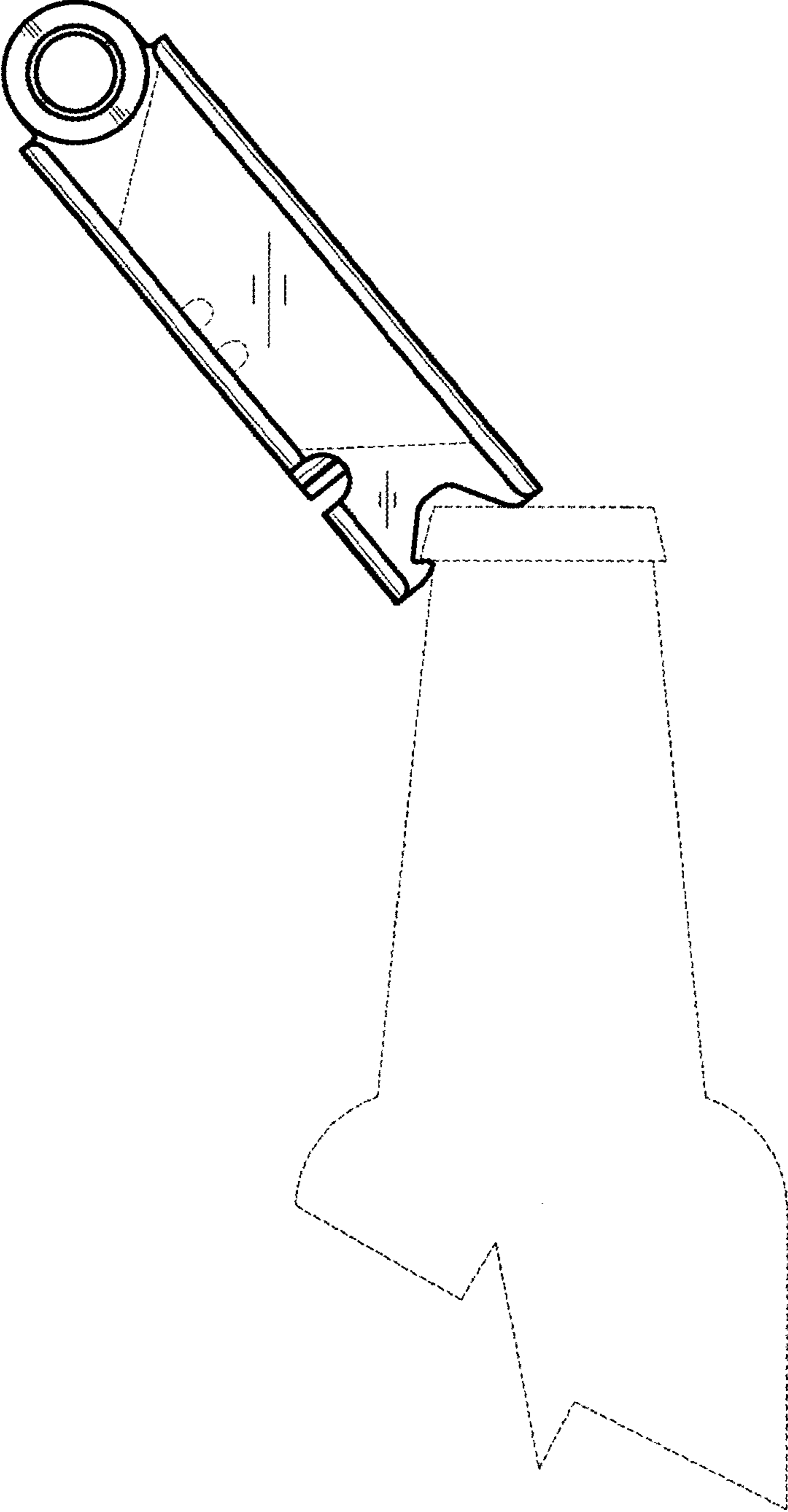
*Fig. 7*



*Fig. 8*



*Fig. 9*



*Fig. 10*