



US00D743233S

(12) **United States Design Patent**
Cluthe

(10) **Patent No.:** **US D743,233 S**

(45) **Date of Patent:** **** Nov. 17, 2015**

(54) **FRICTION FIT TOOL HANDLE**

(71) Applicant: **RETRACT-A-BIT INC.**, Kitchener (CA)

(72) Inventor: **Gary Paul Cluthe**, Waterloo (CA)

(73) Assignee: **RETRACT-A-BIT INC.**, Kitchener (CA)

(**) Term: **14 Years**

(21) Appl. No.: **29/481,368**

(22) Filed: **Feb. 5, 2014**

(51) **LOC (10) Cl.** **08-04**

(52) **U.S. Cl.**
USPC **D8/85**

(58) **Field of Classification Search**
USPC D8/21, 24-26, 29, 61, 82-87, 107;
81/52, 53.1, 58.3, 177.1-177.4, 177.7,
81/438-439, 467, 480, 489-491
CPC B25B 13/56; B25B 15/00; B25B 15/007;
B25B 15/02; B25B 23/106; B25B 23/12;
B25B 23/18; B25F 1/04; B25G 1/085; D06F
53/005; D06F 57/00
See application file for complete search history.

(56) **References Cited**

U.S. PATENT DOCUMENTS

D197,501 S *	2/1964	Huxtable	D8/83
4,010,663 A *	3/1977	Rydberg	81/440
4,327,790 A *	5/1982	Stevens et al.	81/177.4
4,440,048 A *	4/1984	Stevens et al.	81/440
4,476,751 A *	10/1984	Mishima	81/440
4,815,346 A *	3/1989	Littlehorn	81/439

(Continued)

OTHER PUBLICATIONS

Duron ICA15 Mini Retract-a-Bit Pink 6-Bit Screwdriver. Downloaded from <http://www.thetoolstore.ca/viewItem.asp?idProduct=17062> on Apr. 2, 2015.*

Primary Examiner — Philip S Hyder

Assistant Examiner — Roselynn Cody

(74) *Attorney, Agent, or Firm* — Gowling Lafleur Henderson LLP; Jeffrey W. Wong

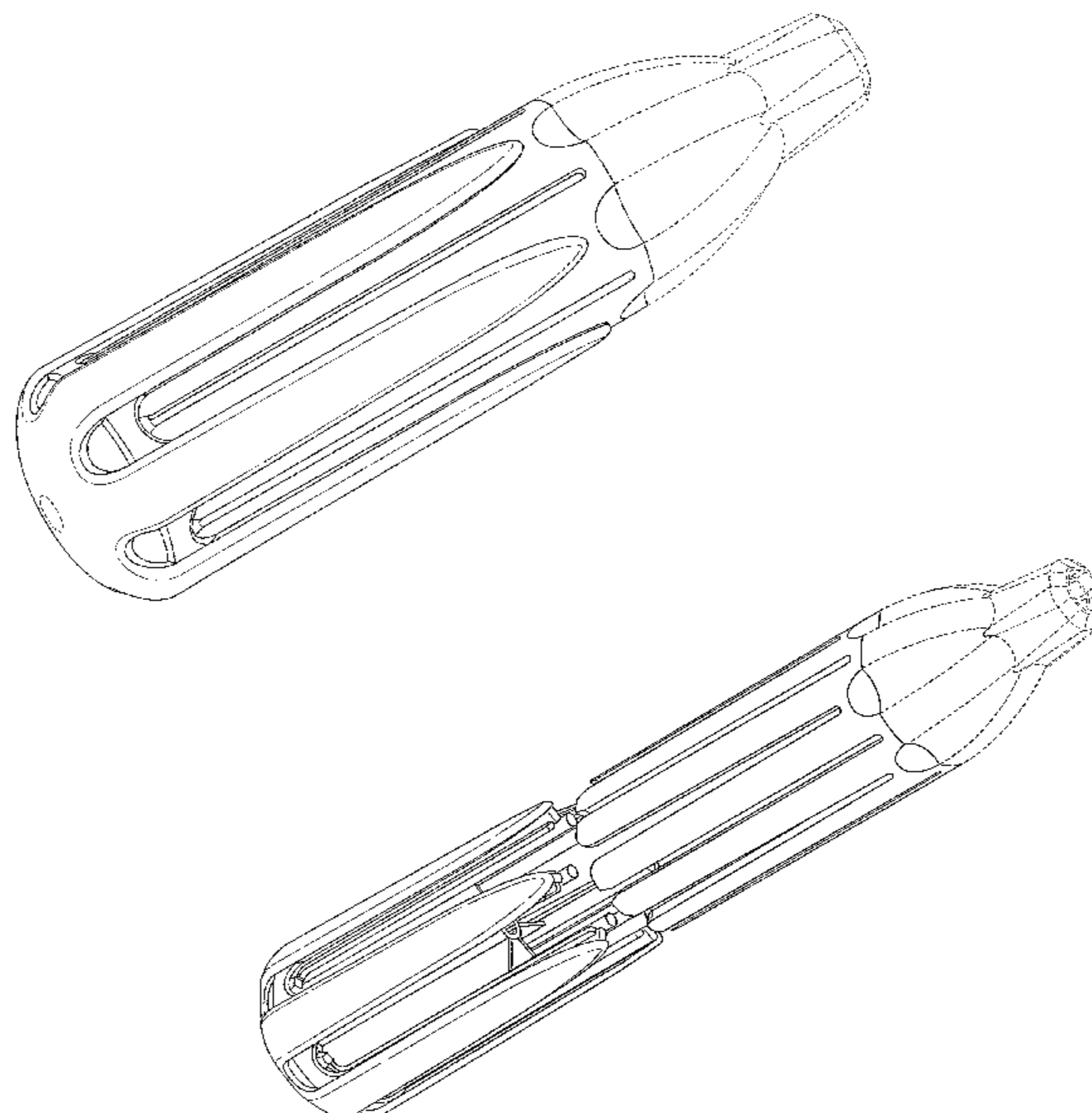
(57) **CLAIM**

I claim the ornamental design for the friction fit tool handle, as shown and described.

DESCRIPTION

FIG. 1 is a perspective view of a friction fit tool handle.
 FIG. 2 is a top view of the friction fit tool handle.
 FIG. 3 is a side view of the friction fit tool handle.
 FIG. 4 is a perspective view of a top portion of the friction fit tool handle.
 FIG. 5 is a top view of a top portion of the friction fit tool handle.
 FIG. 6 is a side view of the top portion of the friction fit tool handle.
 FIG. 7 is a perspective view of a bottom portion of the friction fit tool handle.
 FIG. 8 is a top view of the bottom portion of the friction fit tool handle.
 FIG. 9 is a side view of the bottom portion of the friction fit tool handle.
 FIG. 10 is a rear view of the bottom portion of the friction fit tool handle.
 FIG. 11 is a perspective view of the friction fit tool handle in partial assembly; and,
 FIG. 12 is a perspective view of the friction fit tool handle in partial assembly.
 The design is the external appearance of the friction fit tool handle as shown in the drawings. The broken lines are directed to portions of the friction fit tool handle that form no part of the claim.

1 Claim, 9 Drawing Sheets



(56)

References Cited

U.S. PATENT DOCUMENTS

5,228,363 A * 7/1993 Corona et al. 81/439
 D342,660 S * 12/1993 Chapin D8/83
 D358,316 S * 5/1995 Markwart et al. D8/82
 5,803,584 A * 9/1998 Chung 362/120
 5,924,339 A * 7/1999 Huang 81/57.31
 D415,944 S * 11/1999 Chung D8/85
 6,327,942 B1 * 12/2001 Mariol et al. 81/177.4
 6,332,384 B1 * 12/2001 Cluthe 81/490
 D456,686 S * 5/2002 Holland-Letz D8/83
 6,511,199 B1 * 1/2003 Chung 362/119
 6,845,694 B2 * 1/2005 Ping 81/440
 D510,248 S * 10/2005 Liu D8/83
 D513,378 S * 1/2006 Lin D8/83

D524,098 S * 7/2006 Minutillo et al. D7/395
 7,275,466 B2 * 10/2007 Cluthe 81/439
 7,287,451 B2 * 10/2007 Rodgers 81/439
 D565,379 S * 4/2008 Williams et al. D8/83
 7,493,838 B2 * 2/2009 Beauchamp 81/177.4
 7,562,606 B2 * 7/2009 Grand et al. 81/439
 7,665,391 B2 * 2/2010 Beauchamp 81/177.4
 D629,666 S * 12/2010 Lai D8/83
 7,938,045 B2 * 5/2011 Itoh 81/439
 D644,902 S * 9/2011 Yang D8/83
 D662,206 S * 6/2012 Way et al. D24/152
 8,250,950 B2 * 8/2012 Cluthe 81/439
 D684,836 S * 6/2013 Wong D8/82
 D685,621 S * 7/2013 Lin D8/83
 D686,480 S * 7/2013 Robinson et al. D8/83
 2005/0092142 A1 * 5/2005 Nish 81/452

* cited by examiner

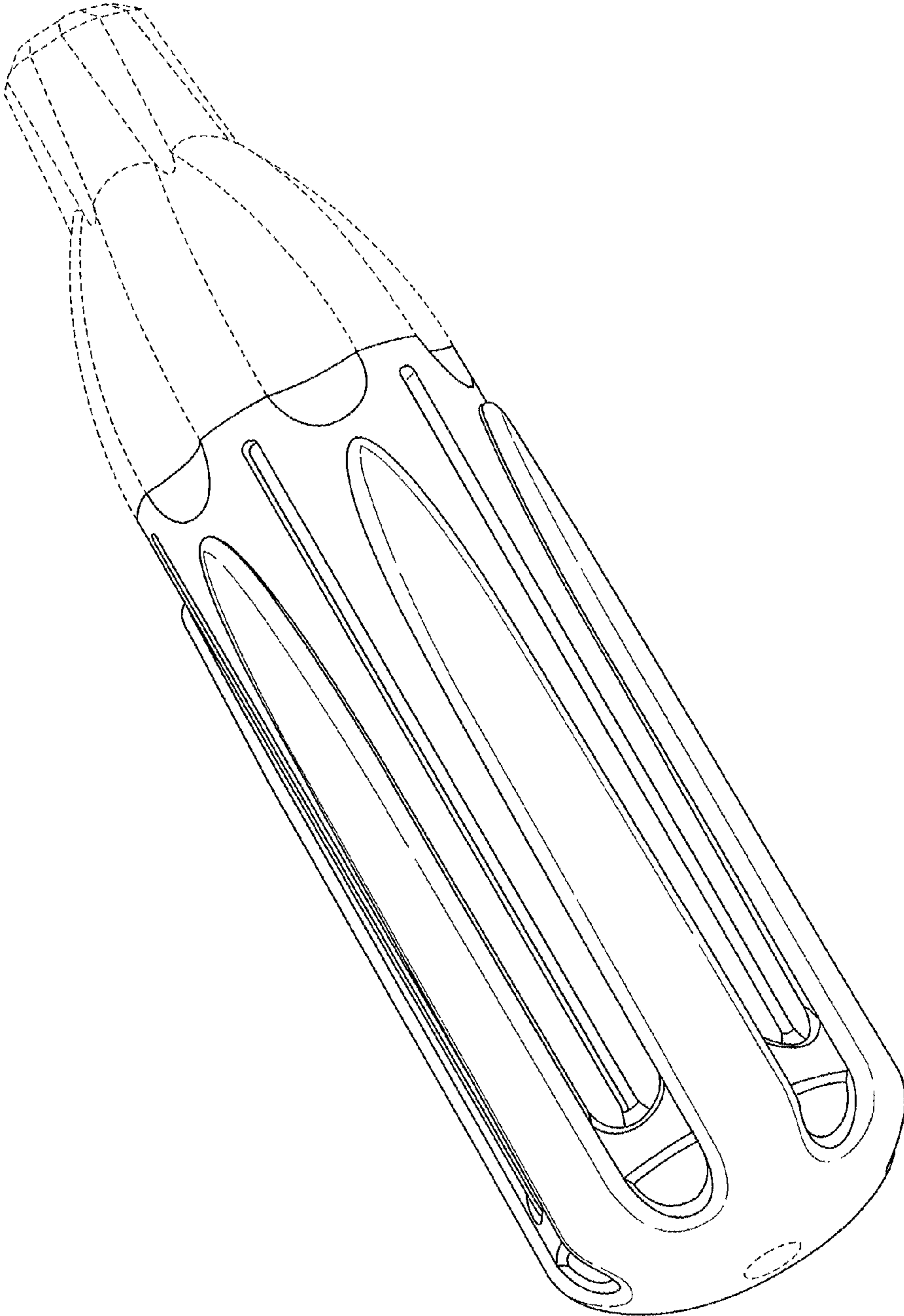


FIG. 1

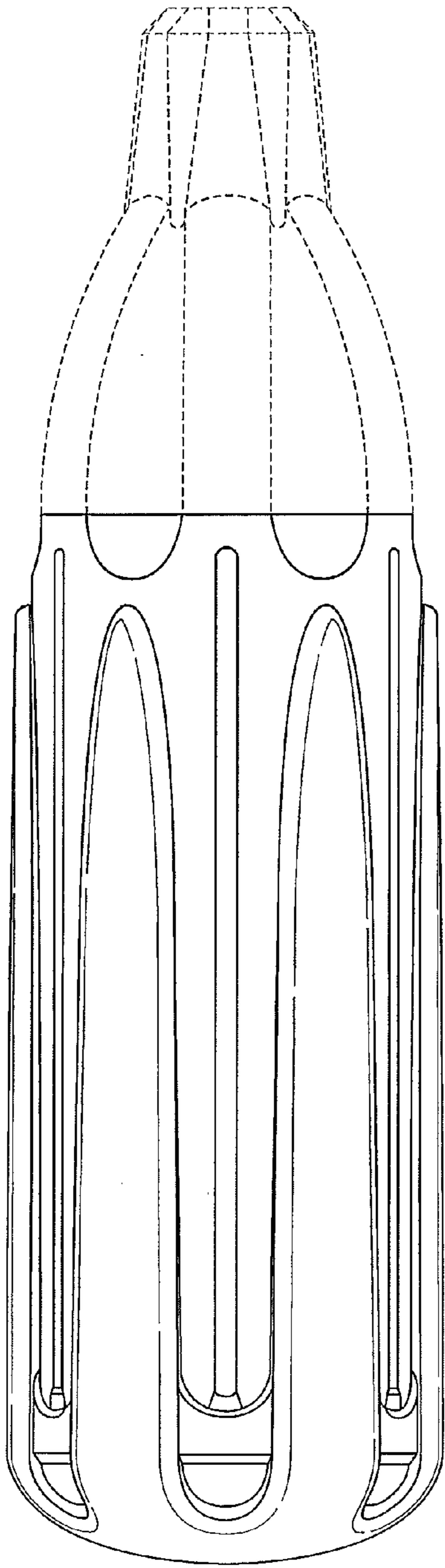


FIG. 2

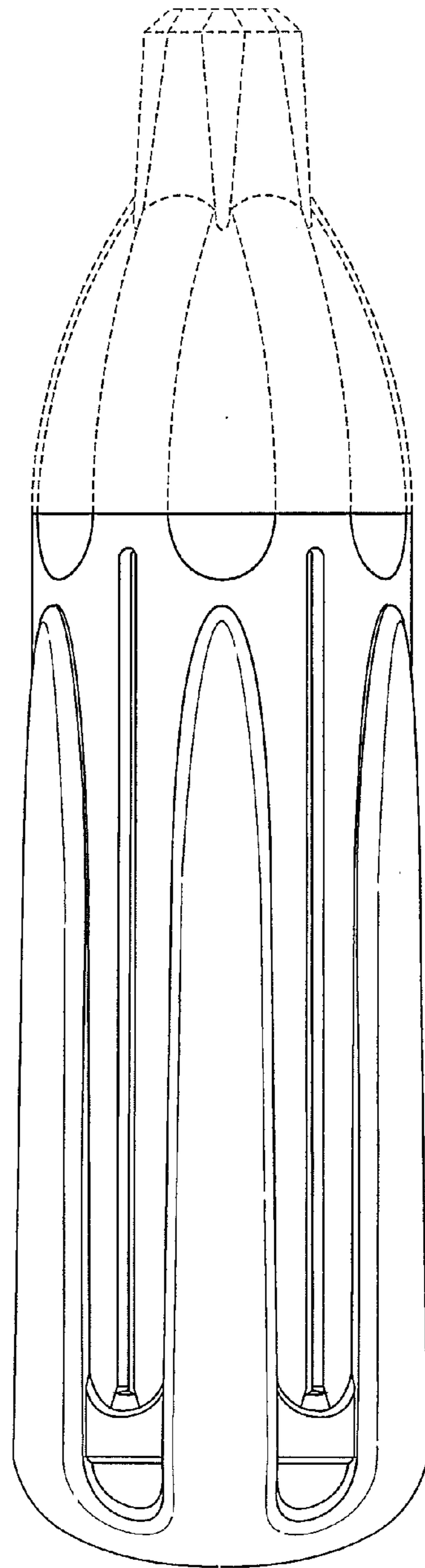


FIG. 3

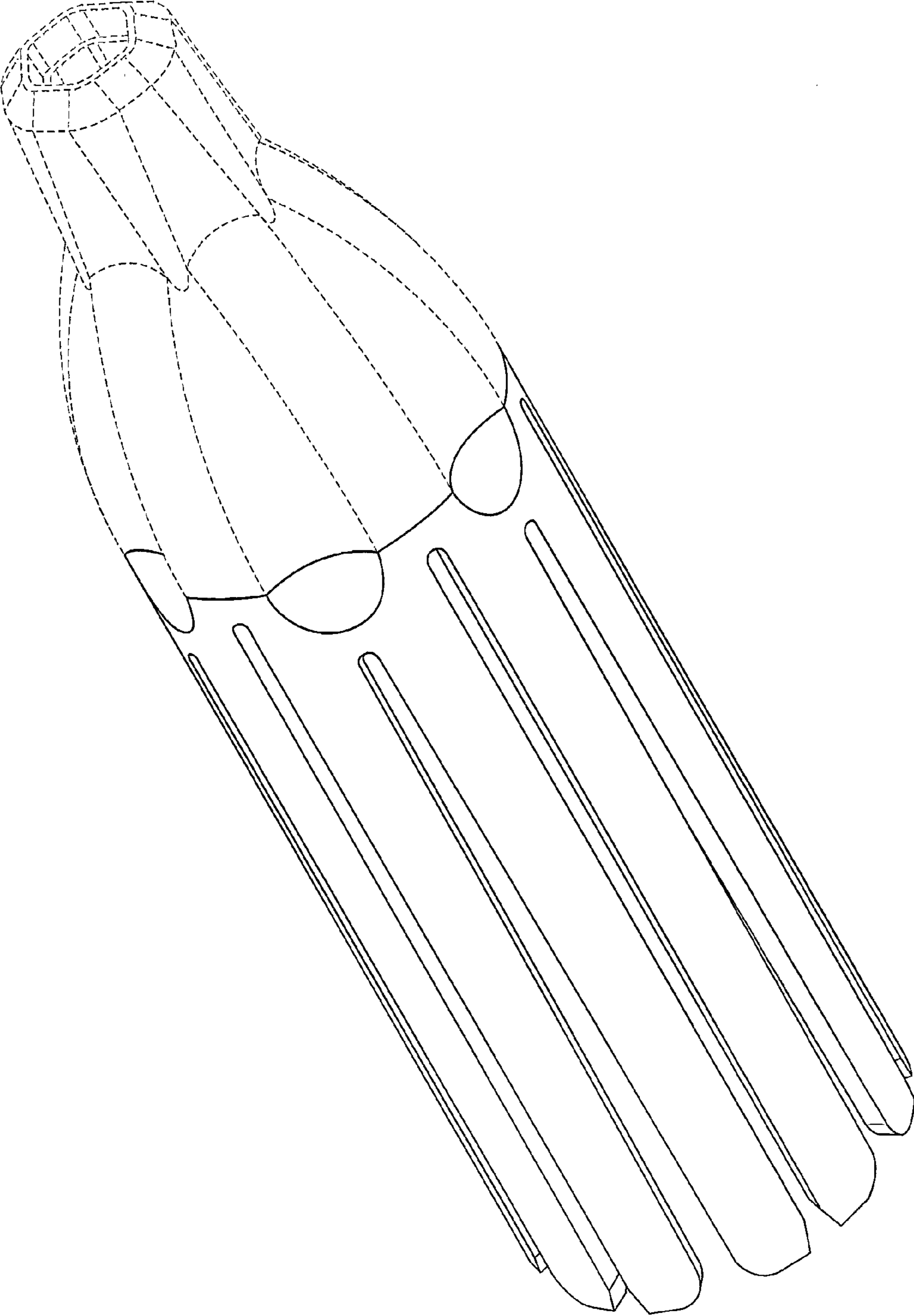


FIG. 4

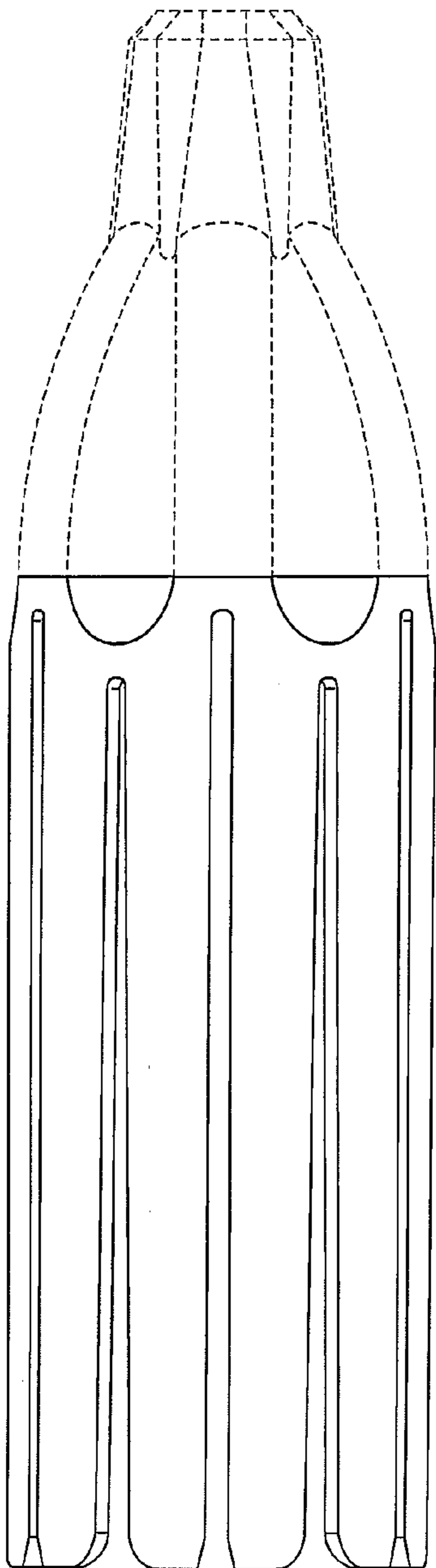


FIG. 5

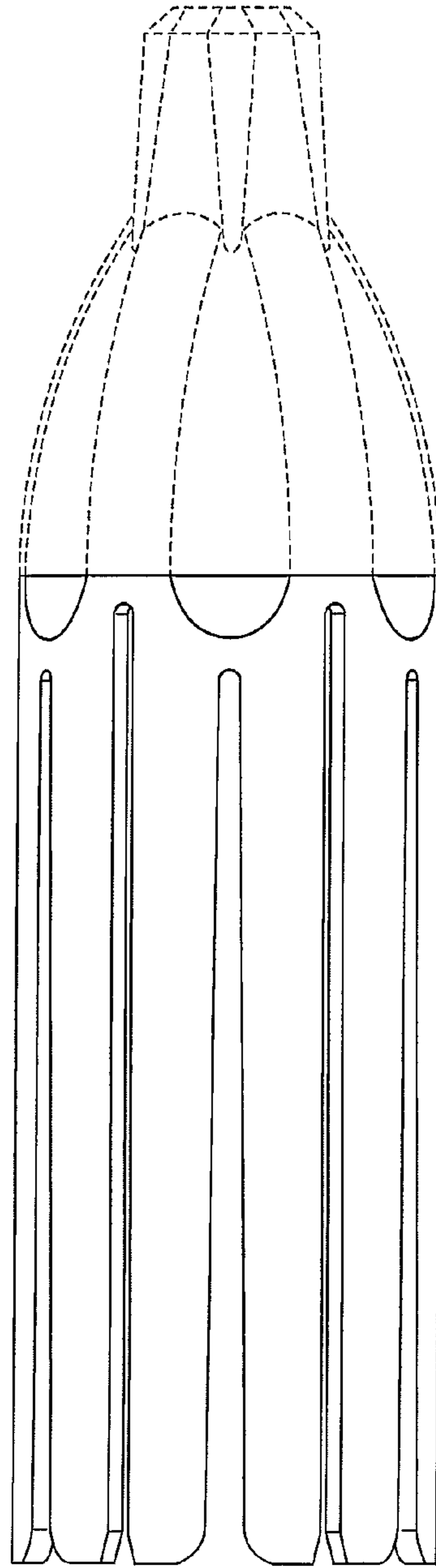


FIG. 6

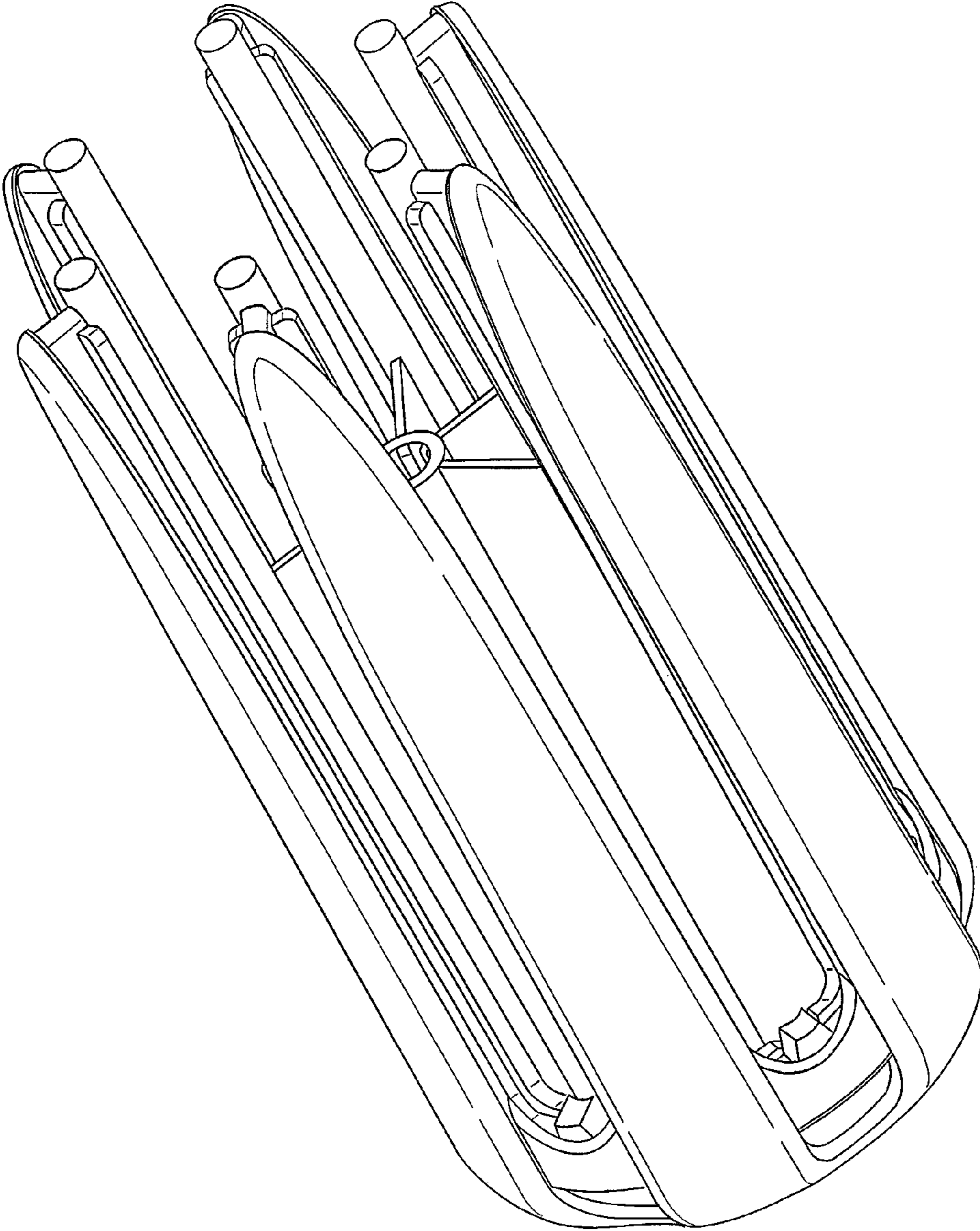


FIG. 7

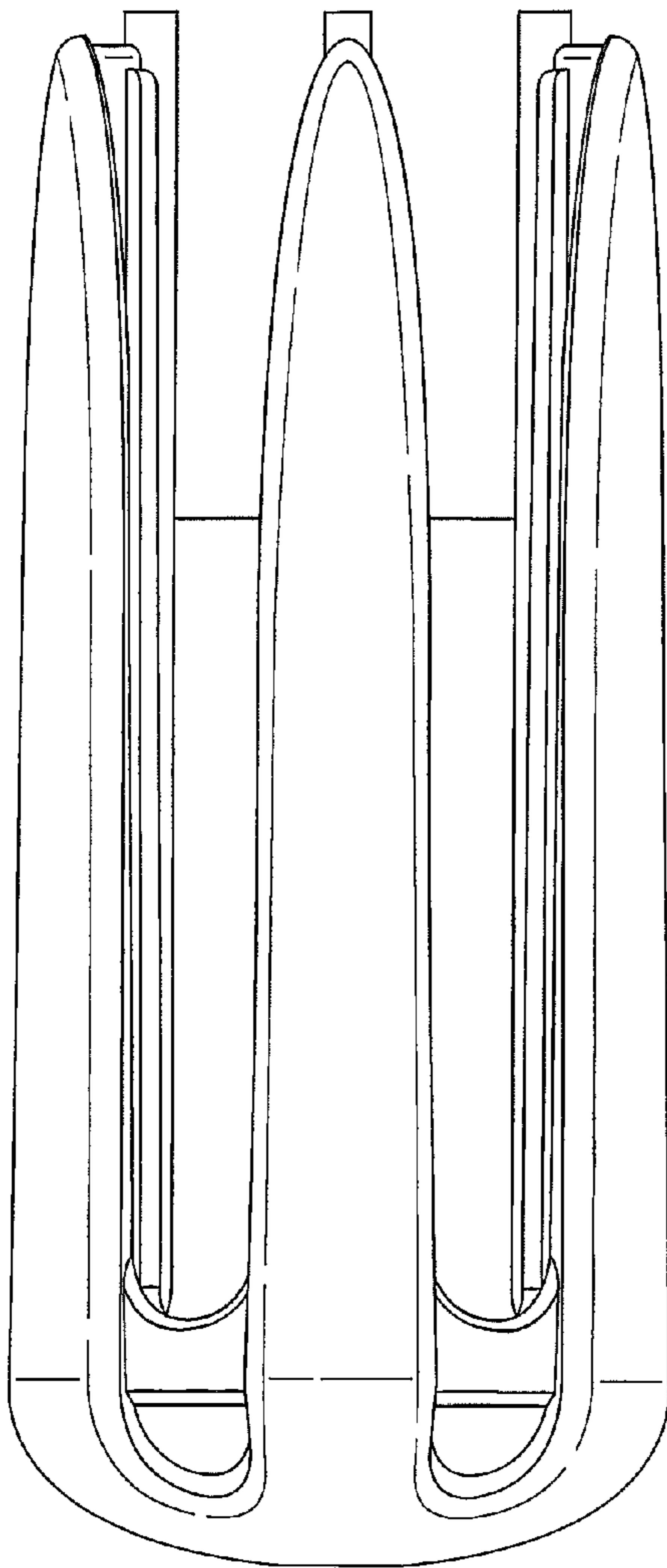


FIG. 8

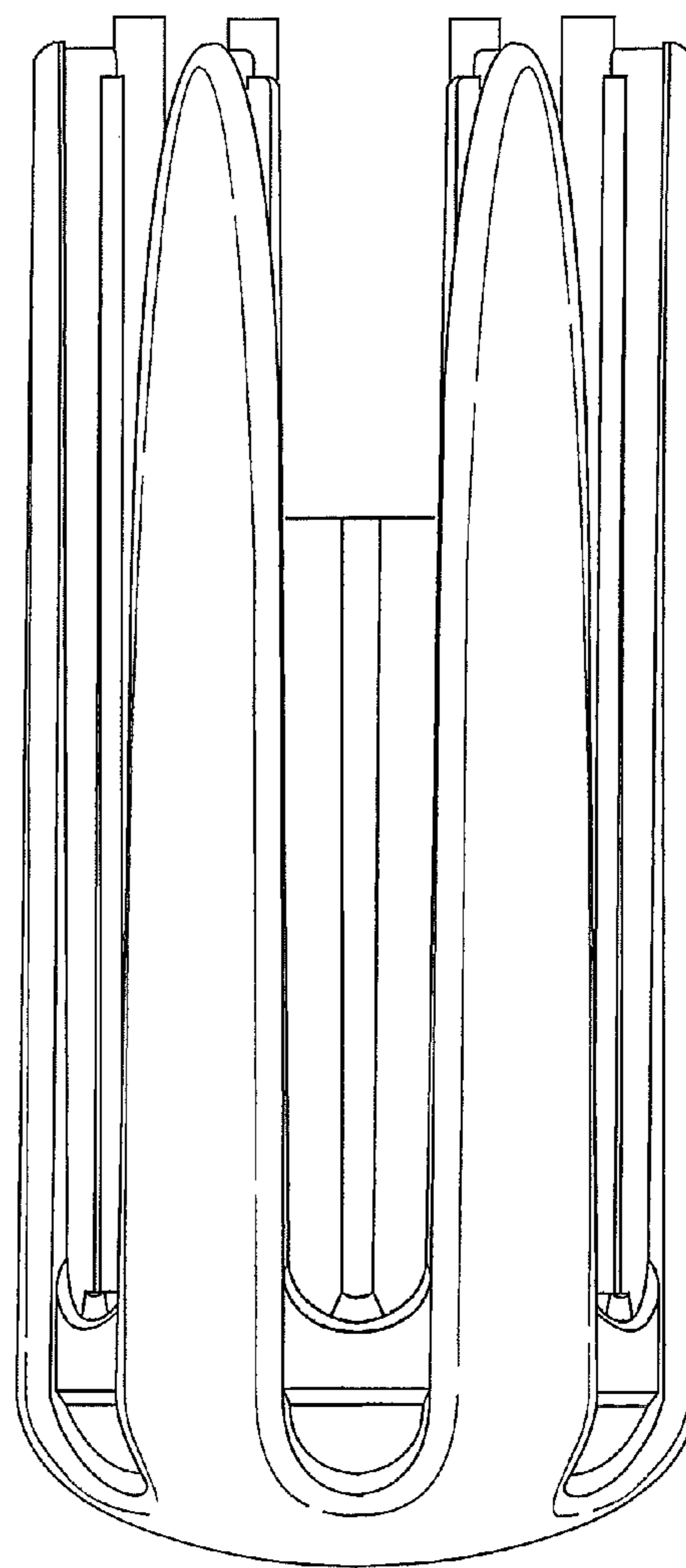


FIG. 9

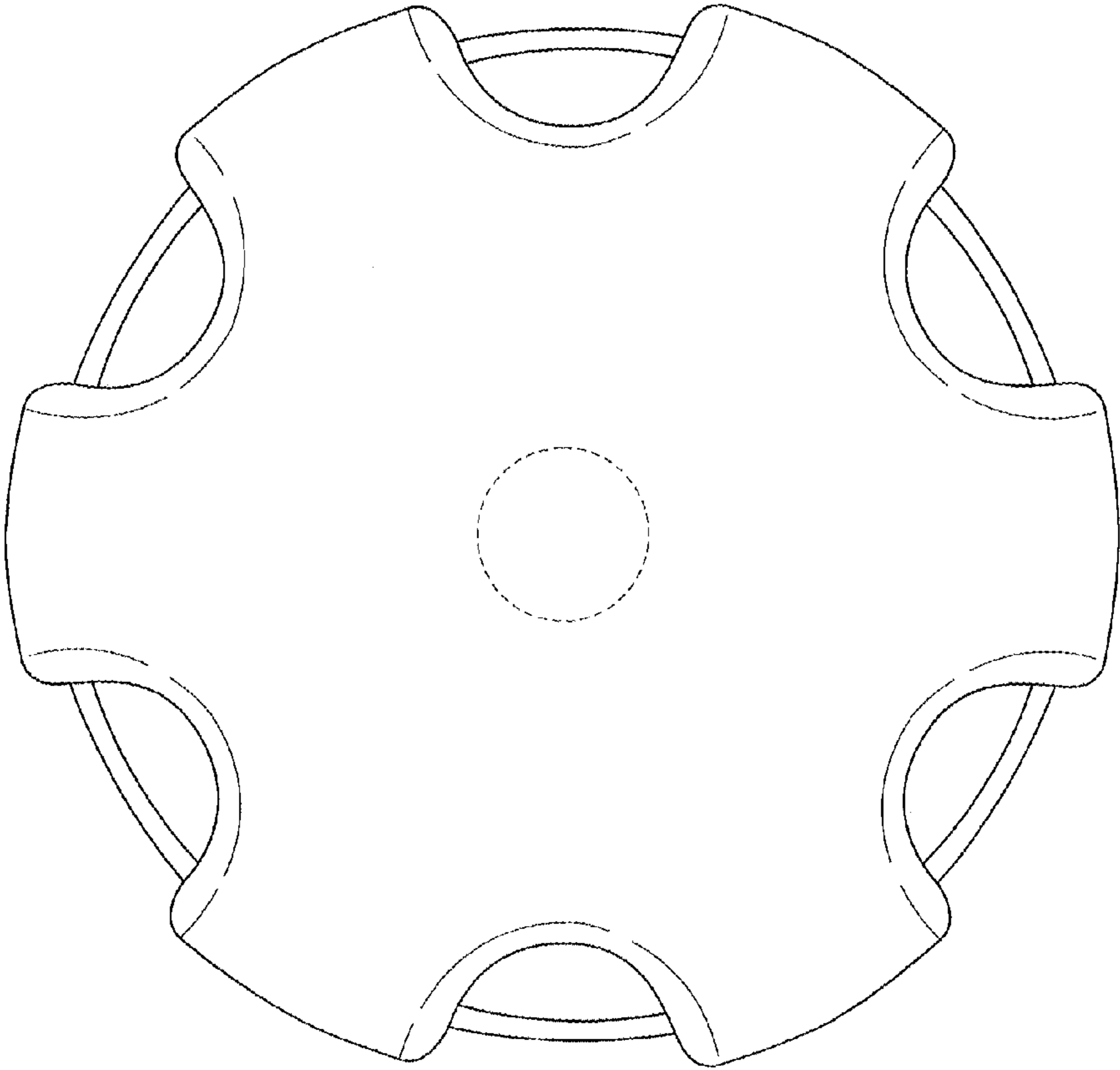


FIG. 10

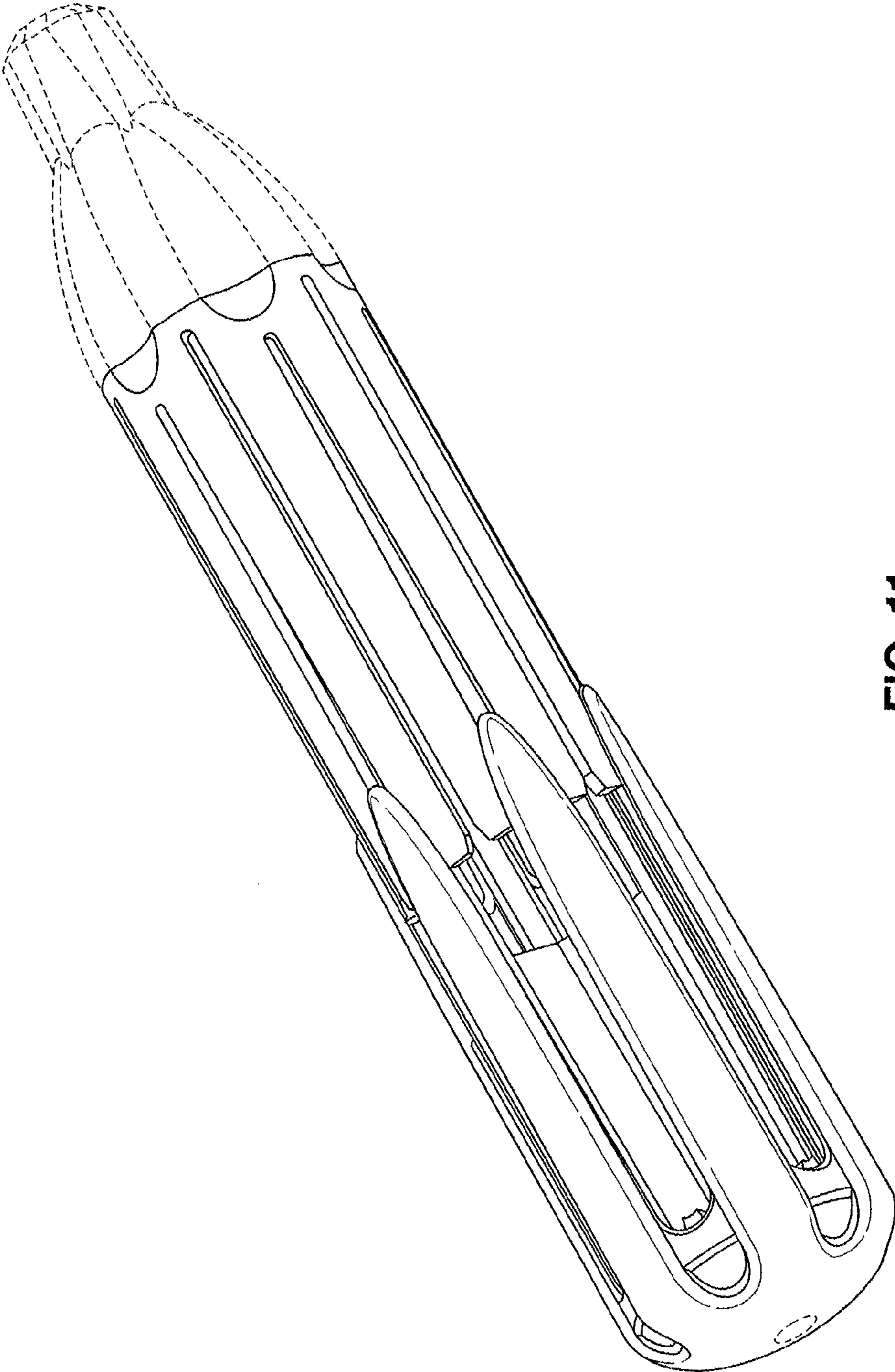


FIG. 11

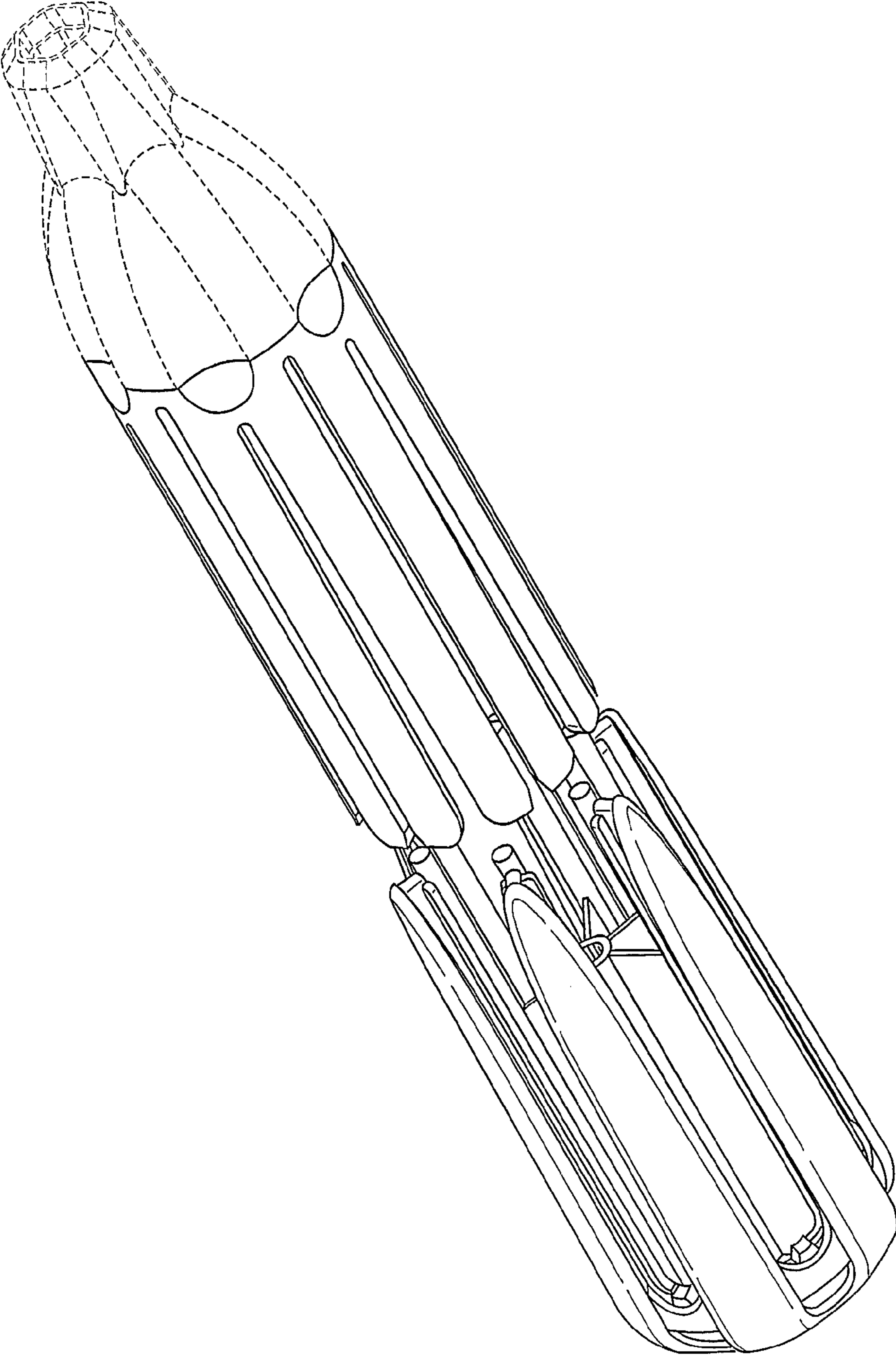


FIG. 12