



US00D743232S

(12) **United States Design Patent**
Su

(10) **Patent No.:** **US D743,232 S**

(45) **Date of Patent:** **** Nov. 17, 2015**

(54) **TOOL HEAD**

(71) Applicant: **Hong Ann Tool Industries Co., Ltd.**,
Taichung (TW)

(72) Inventor: **Cheng-Wei Su**, Taichung (TW)

(73) Assignee: **Hong Ann Tool Industries Co., Ltd.**,
Taichung (TW)

(**) Term: **14 Years**

(21) Appl. No.: **29/486,035**

(22) Filed: **Mar. 26, 2014**

(51) **LOC (10) Cl.** **08-02**

(52) **U.S. Cl.**
USPC **D8/78**

(58) **Field of Classification Search**
USPC D8/75-81, 107, 303, 307; D22/117;
81/19-26, 489-490; 254/26 R; D7/395
CPC B23K 9/28; B25F 1/00; B25D 1/00;
B25D 1/02; B25D 1/04; B25D 1/045; B25D
1/06; B25D 1/12; B25G 1/02
See application file for complete search history.

(56) **References Cited**

U.S. PATENT DOCUMENTS

D5,556 S *	2/1872	Pettengill	D21/728
378,632 A *	2/1888	Svensson	81/19
393,789 A *	12/1888	Runnals	81/19
1,633,007 A *	6/1927	Ehinger	81/19
D123,490 S *	11/1940	Saffell	D8/93
2,566,517 A *	9/1951	Dicks	81/19
3,216,052 A *	11/1965	Hill	16/431
3,444,908 A *	5/1969	Roth	81/19
3,608,899 A *	9/1971	Hall	463/47.5
D290,334 S *	6/1987	Reynolds, Jr.	D8/105

4,834,224 A *	5/1989	Haider	188/378
D334,790 S *	4/1993	Jaramillo	D22/117
D350,470 S *	9/1994	Majors et al.	D8/80
D360,007 S *	7/1995	Farr	D22/117
D419,416 S *	1/2000	Ryu	D8/75
D422,471 S *	4/2000	Ryu	D8/75
D428,788 S *	8/2000	Ryu	D8/80
D429,135 S *	8/2000	Ryu	D8/80
D430,473 S *	9/2000	Ryu	D8/75
RE39,008 E *	3/2006	Ryu	D8/80
7,181,798 B2 *	2/2007	Hayhurst	7/144
D577,931 S *	10/2008	Thompson	D6/718
D716,981 S *	11/2014	Hawthorne et al.	D26/36

* cited by examiner

Primary Examiner — Philip S Hyder

Assistant Examiner — Roselynn Cody

(74) *Attorney, Agent, or Firm* — Alan D. Kamrath; Kamrath
IP Lawfirm, P.A.

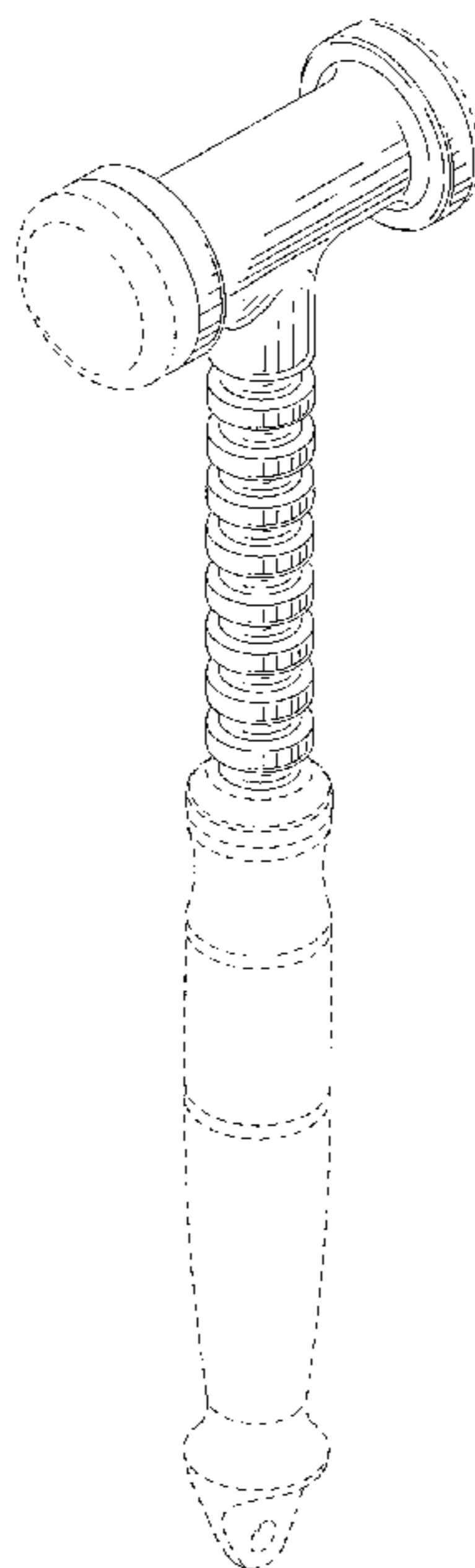
(57) **CLAIM**

The ornamental design for a tool head, as shown and
described.

DESCRIPTION

FIG. 1 is a perspective view of a tool head showing my new
design;
FIG. 2 is a front view thereof, with the opposite side being a
mirror image thereof;
FIG. 3 is a left view thereof;
FIG. 4 is a right view thereof;
FIG. 5 is a top view thereof; and,
FIG. 6 is a bottom view thereof.
The broken lines shown in the drawings illustrating portions
of a tool are included to demonstrate environmental structures
and form no part of the claimed design.

1 Claim, 3 Drawing Sheets



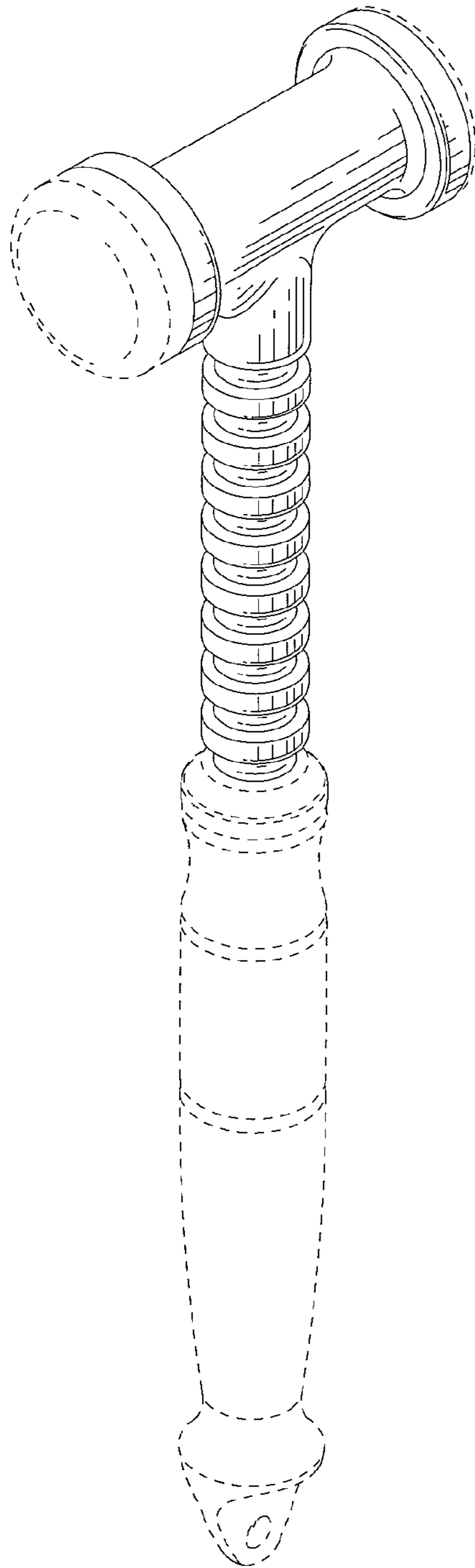


FIG. 1

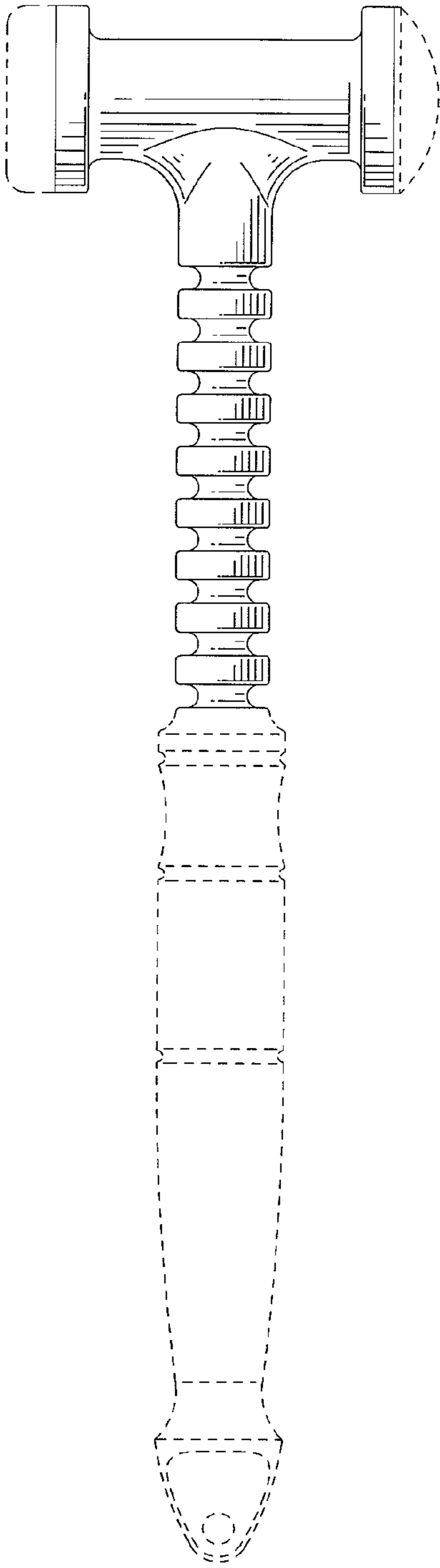


FIG. 2

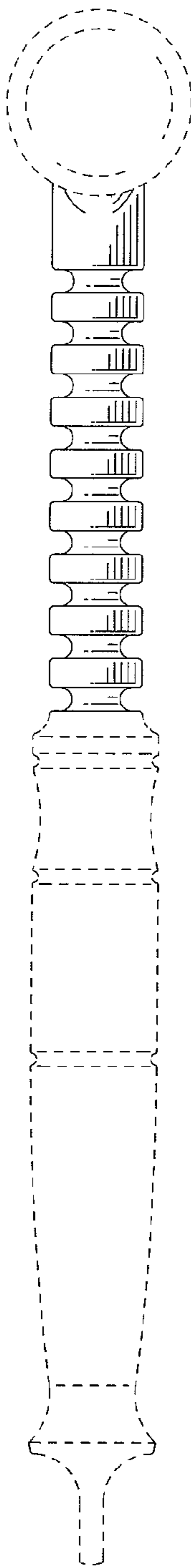


FIG. 3

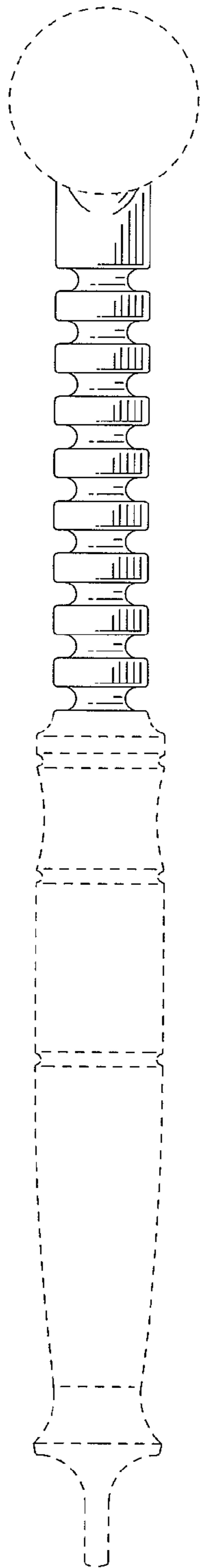


FIG. 4

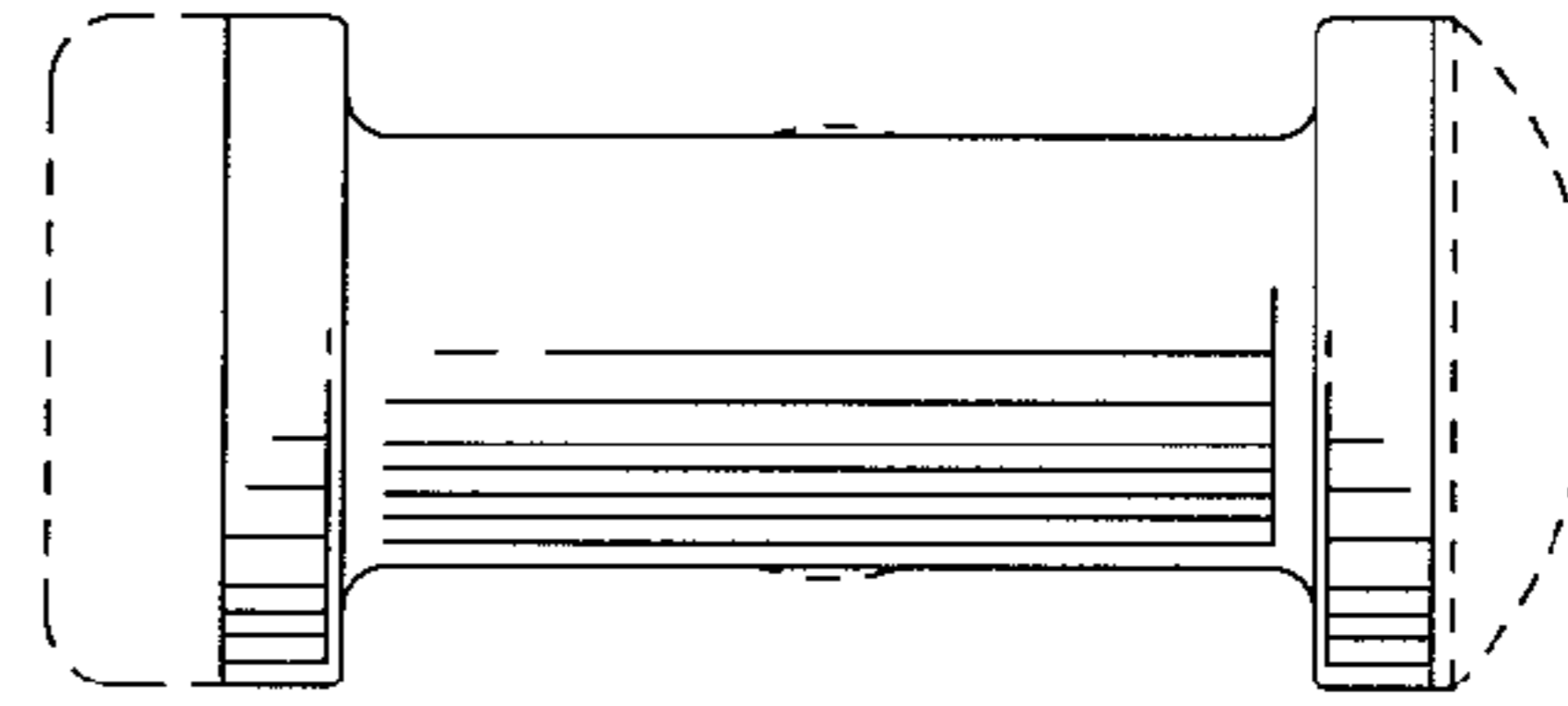


FIG. 5

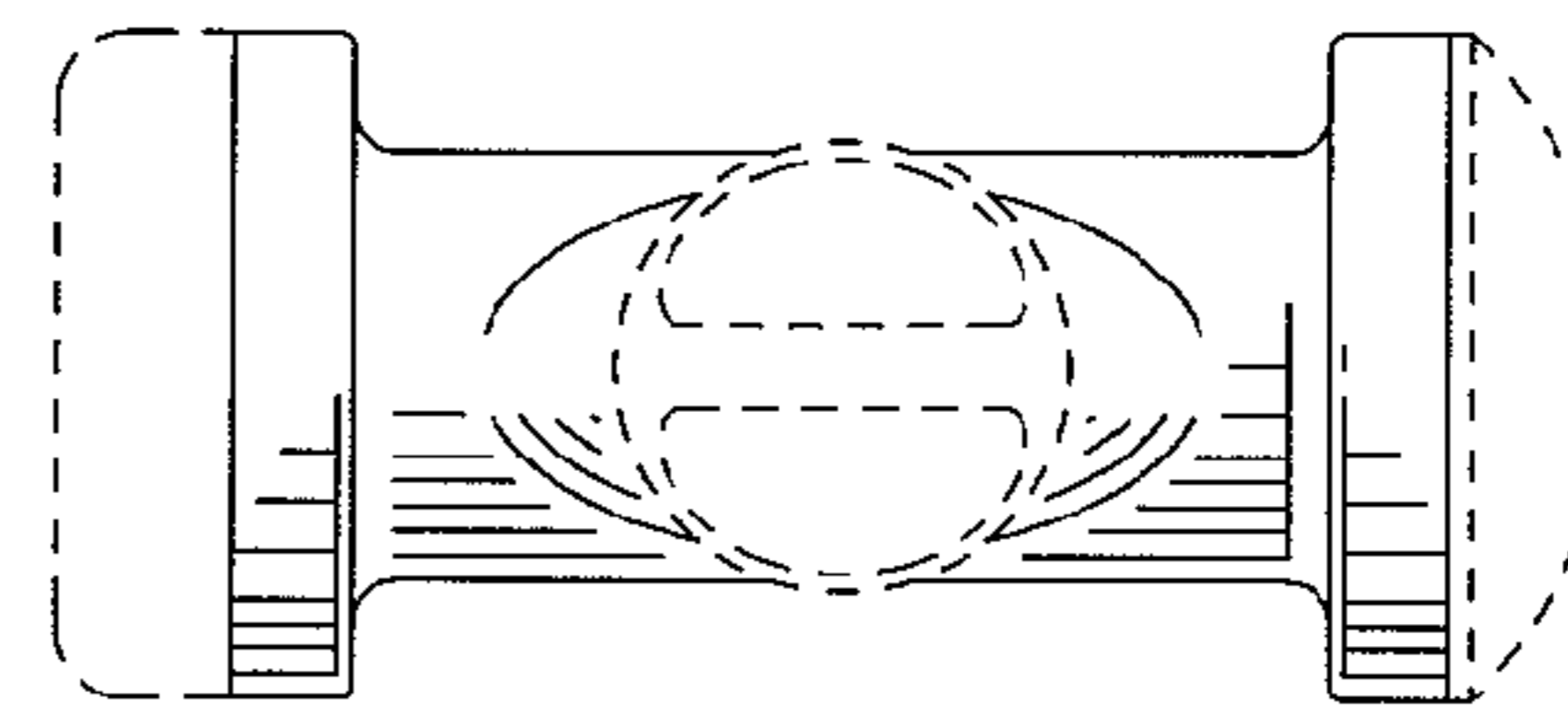


FIG. 6