



US00D743231S

(12) **United States Design Patent**
Chang

(10) **Patent No.:** **US D743,231 S**

(45) **Date of Patent:** **** Nov. 17, 2015**

(54) **HAMMER HEAD**

(71) Applicant: **Hsiu-Hua Chang**, Taichung (TW)

(72) Inventor: **Hsiu-Hua Chang**, Taichung (TW)

(**) Term: **14 Years**

(21) Appl. No.: **29/448,135**

(22) Filed: **Mar. 10, 2013**

(51) **LOC (10) Cl.** **08-02**

(52) **U.S. Cl.**
USPC **D8/78**

(58) **Field of Classification Search**
USPC D8/14, 47, 75-81; D22/117-118;
81/19-24; 254/26 R
CPC B24D 1/02; B24D 1/04; B24D 1/045;
B24D 1/12; B25D 2222/57; B25D 2250/371
See application file for complete search history.

(56) **References Cited**

U.S. PATENT DOCUMENTS

504,908	A *	9/1893	Bronk	7/145
D33,330	S *	10/1900	Ransom	D8/79
1,535,685	A *	4/1925	Osmond et al.	254/26 R
D262,186	S *	12/1981	Royce	D8/79
D420,268	S *	2/2000	Coonrad	D8/79
D442,048	S *	5/2001	Coonrad	D8/75
D519,348	S *	4/2006	Chen	D8/75
D644,082	S *	8/2011	LeMacher et al.	D8/78
D680,402	S *	4/2013	Descombes	D8/75
8,438,953	B2 *	5/2013	Chen	81/22

D683,608	S *	6/2013	Trice	D8/78
8,458,838	B2 *	6/2013	Trice	7/144
2014/0083254	A1 *	3/2014	Chang	81/22
2014/0264208	A1 *	9/2014	Chang	254/26 R

* cited by examiner

Primary Examiner — Philip S Hyder
Assistant Examiner — Roselynn Cody

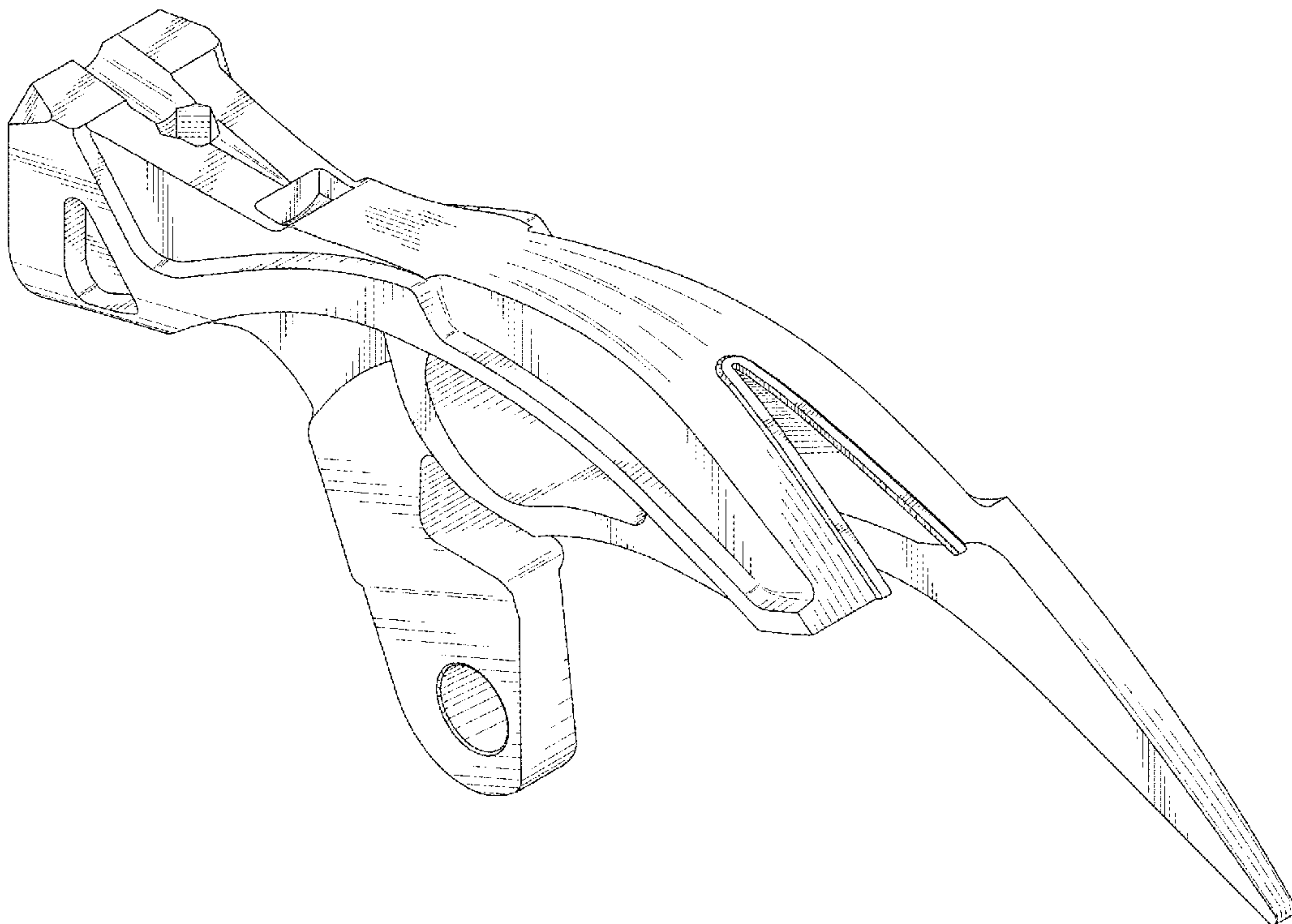
(57) **CLAIM**

I claim the ornamental design for a hammer head, as shown and described.

DESCRIPTION

FIG. 1 is a perspective view of a hammer head, showing my new design;
FIG. 2 is another perspective view of the hammer head of FIG. 1;
FIG. 3 is a front view of the hammer head shown in FIG. 1;
FIG. 4 is a rear view of the hammer head shown in FIG. 1;
FIG. 5 is a left side view of the hammer head shown in FIG. 1;
FIG. 6 is a right side view of the hammer head shown in FIG. 1;
FIG. 7 is a top view of the hammer head shown in FIG. 1;
FIG. 8 is a bottom view of the hammer head shown in FIG. 1;
and,
FIG. 9 is another perspective view of the hammer head of FIG. 1, wherein a handle is shown in broken lines for illustrative purposes only and does not form part of the claimed design.

1 Claim, 9 Drawing Sheets



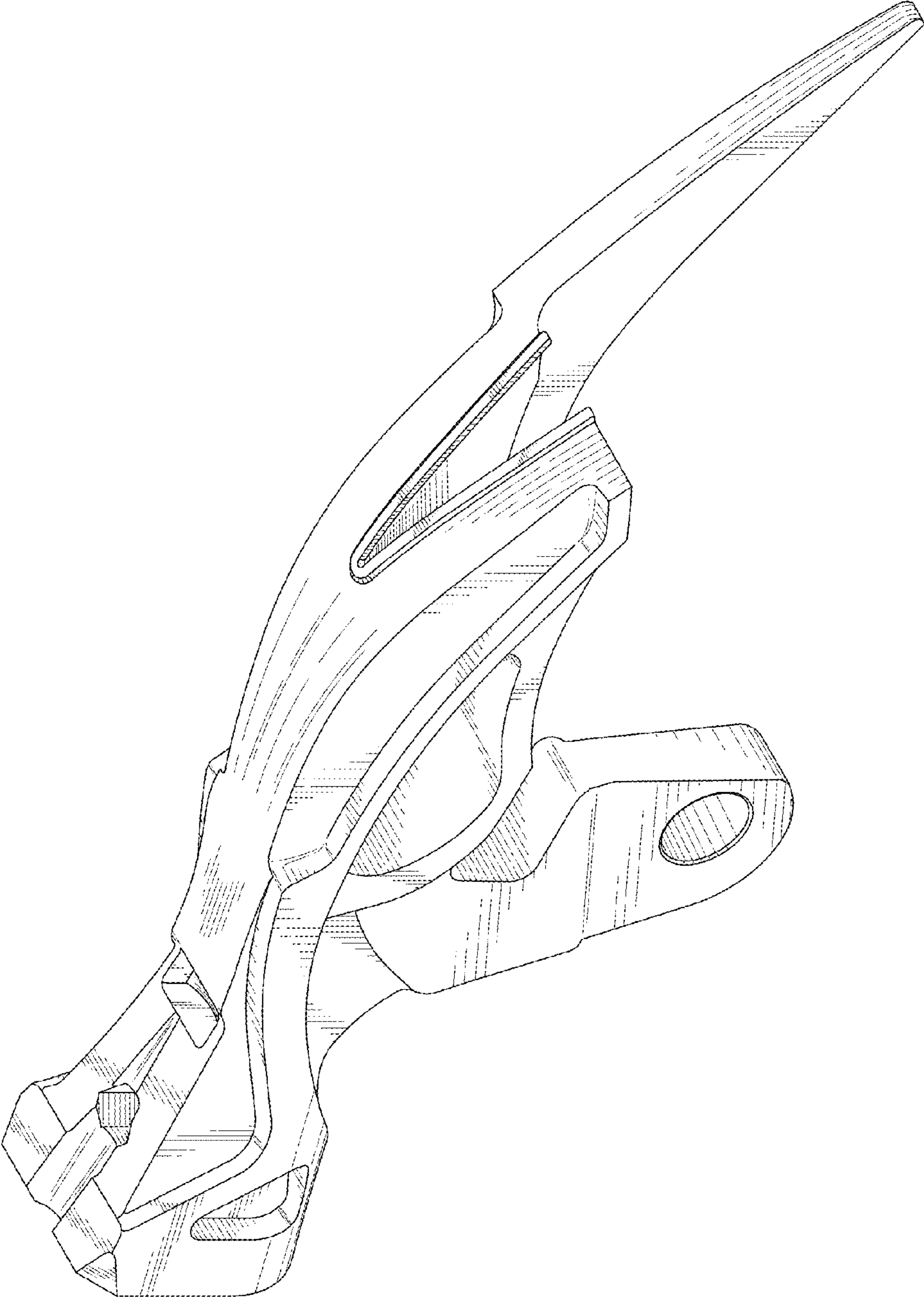


FIG. 1

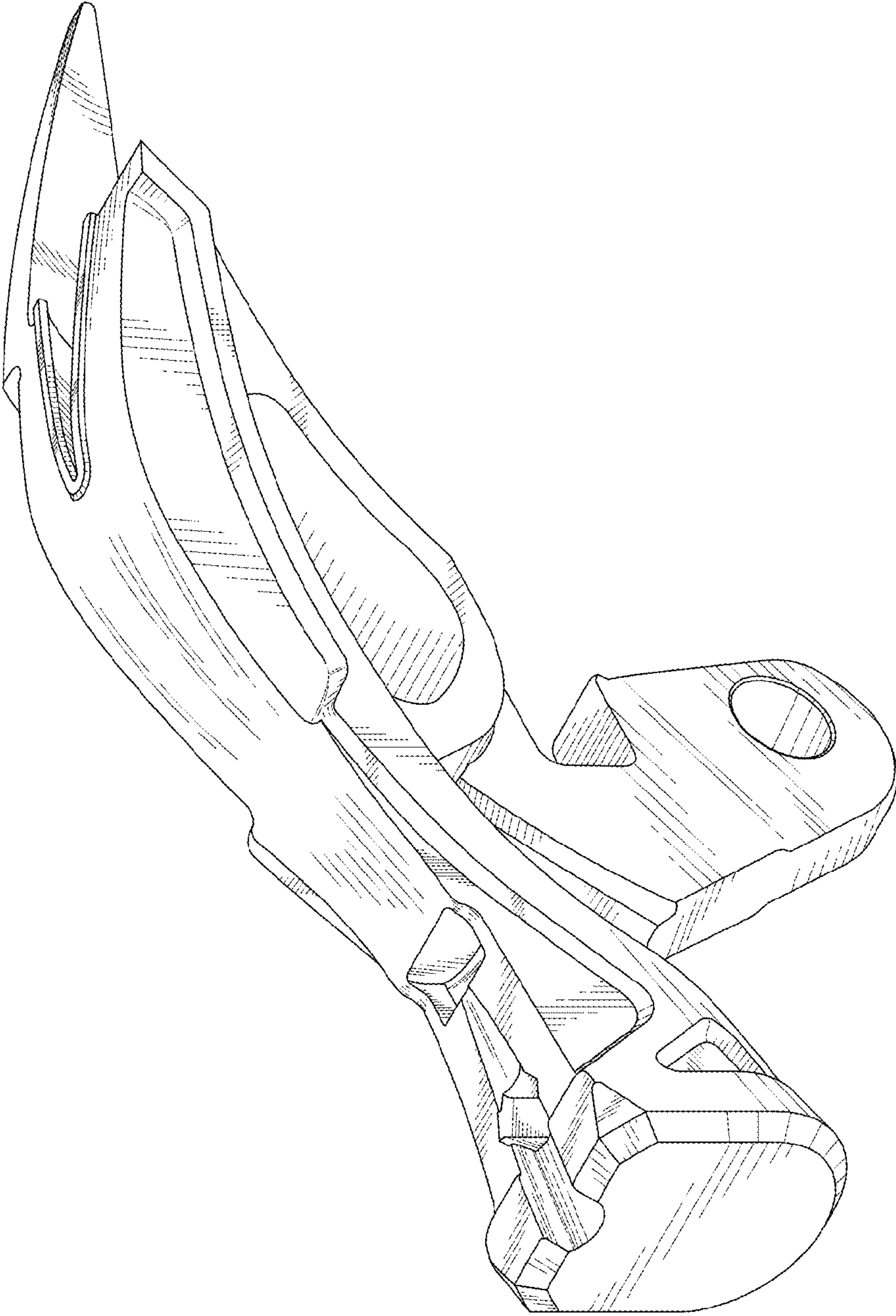


FIG. 2

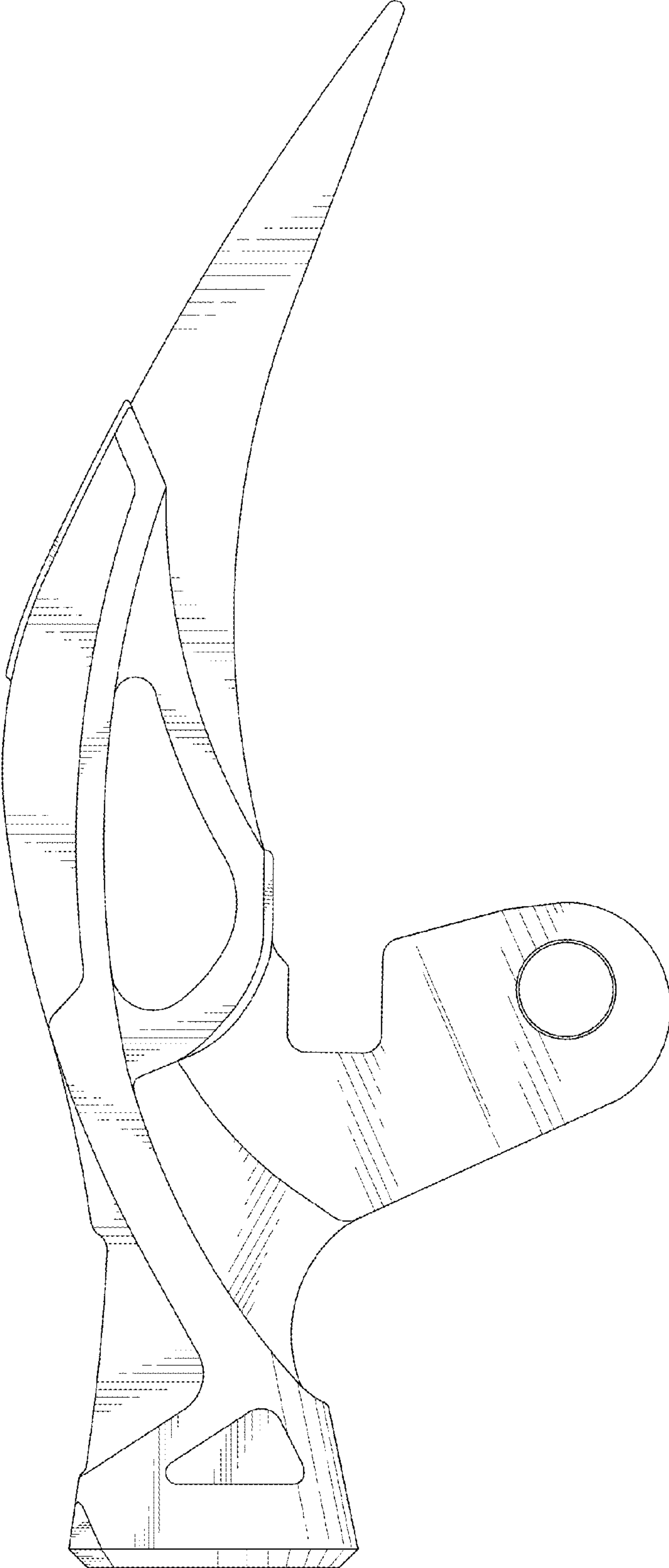


FIG. 3

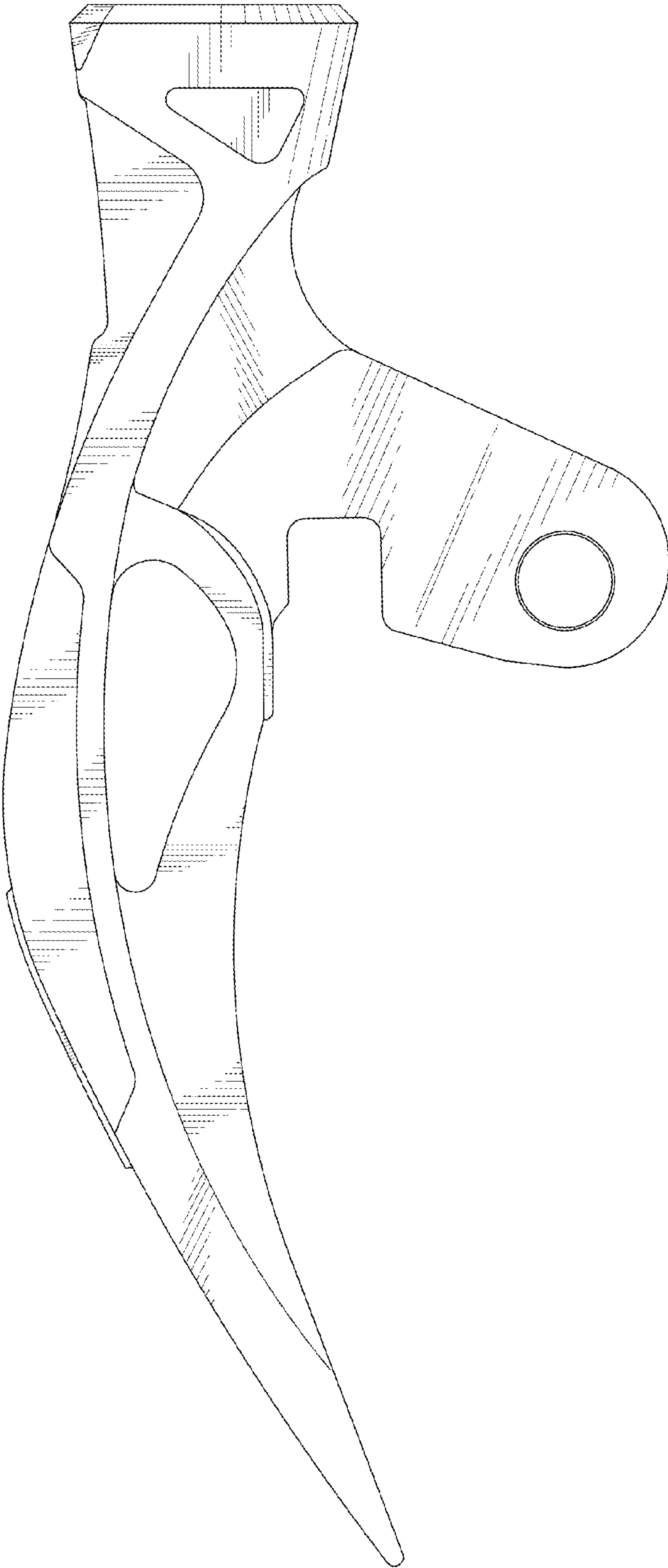


FIG. 4

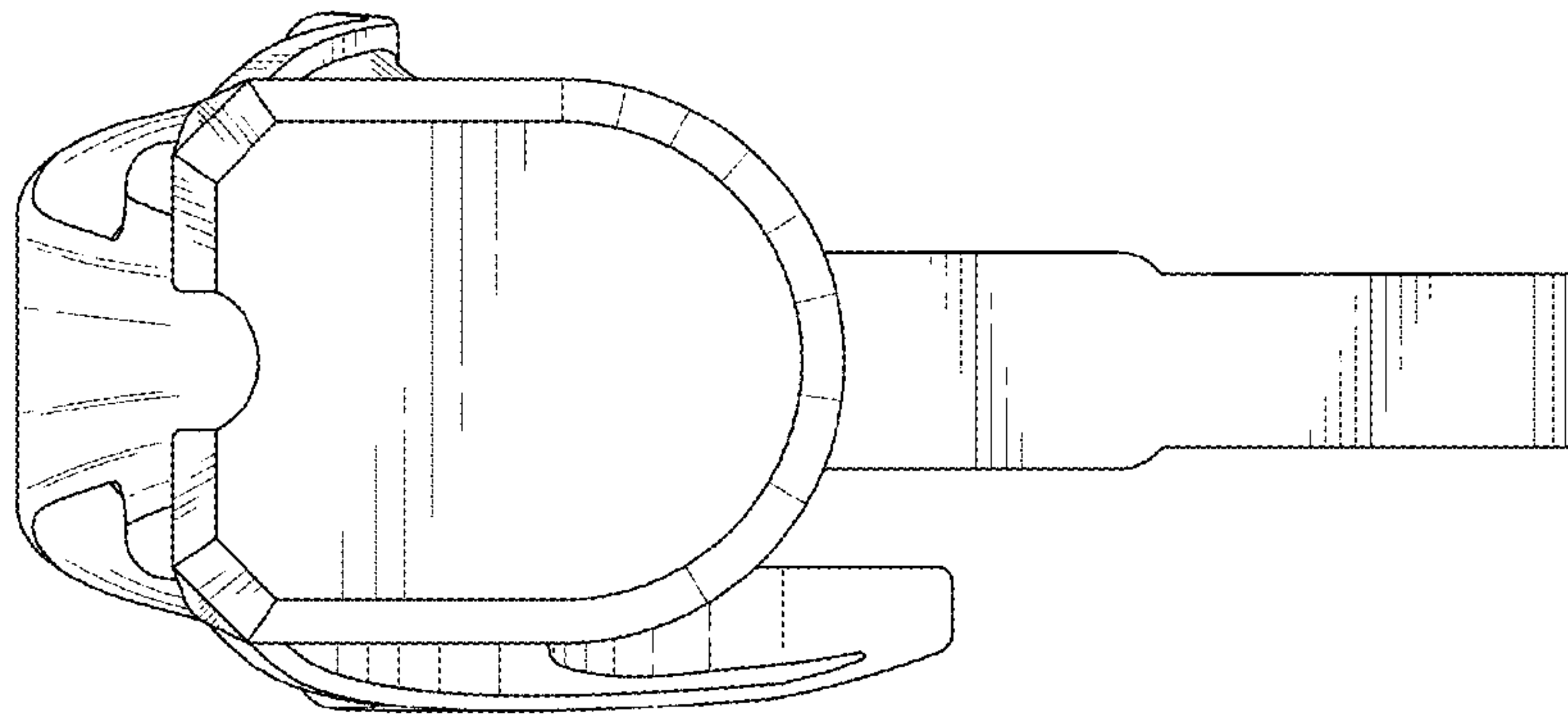


FIG. 5

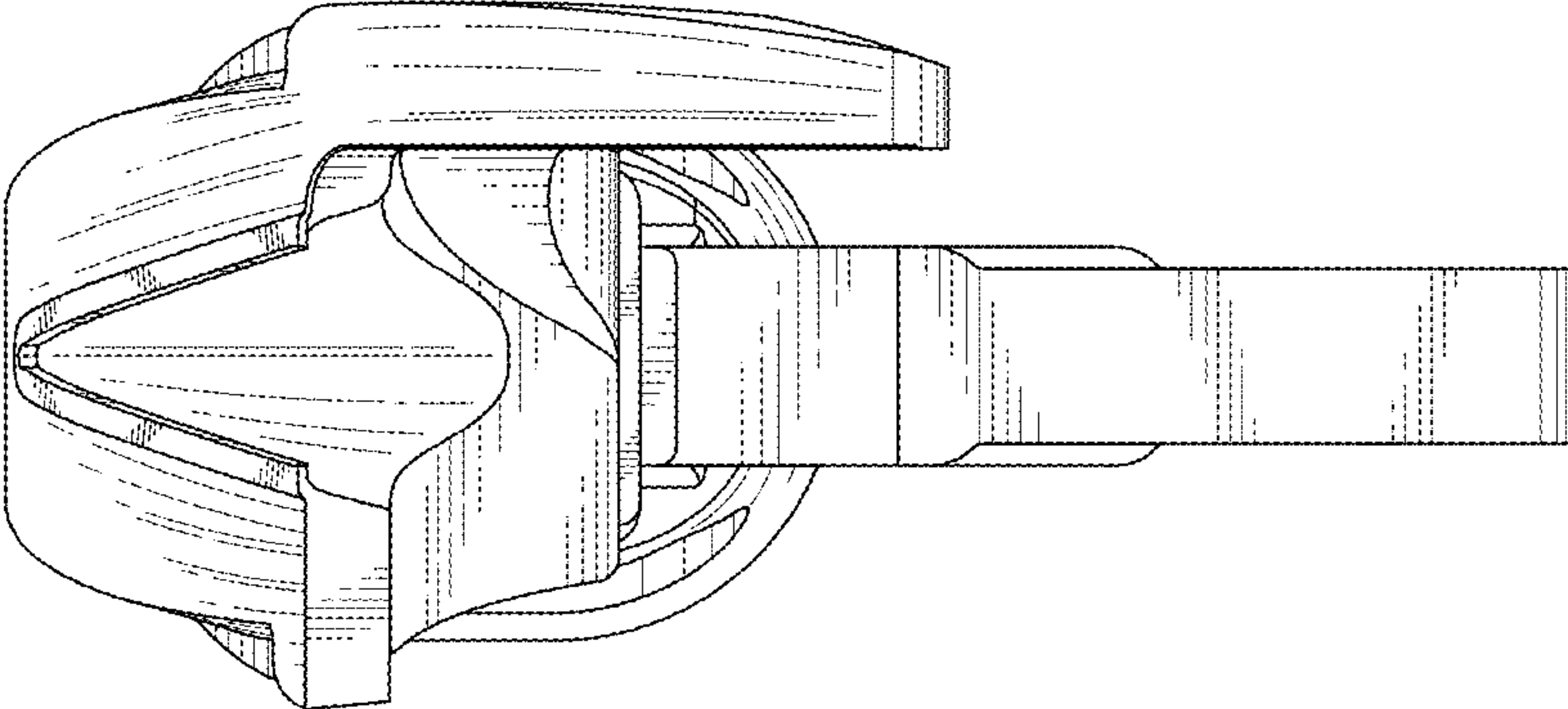


FIG. 6

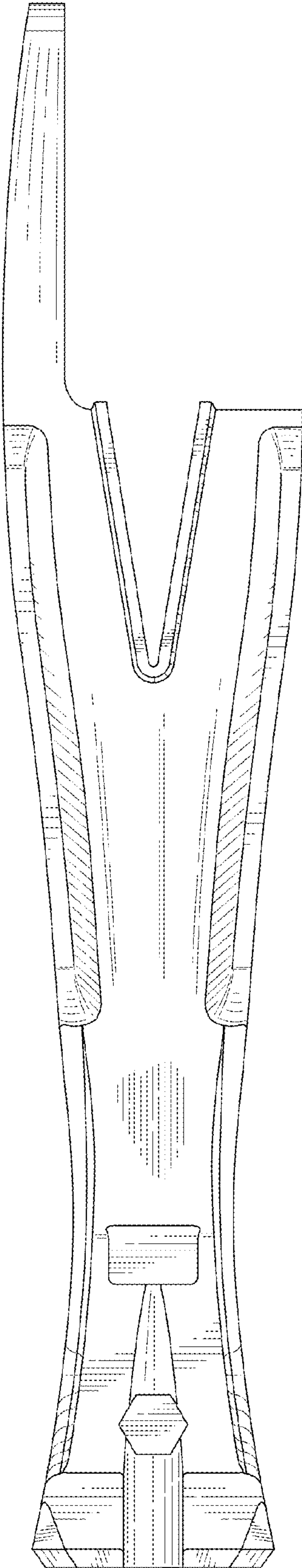


FIG. 7

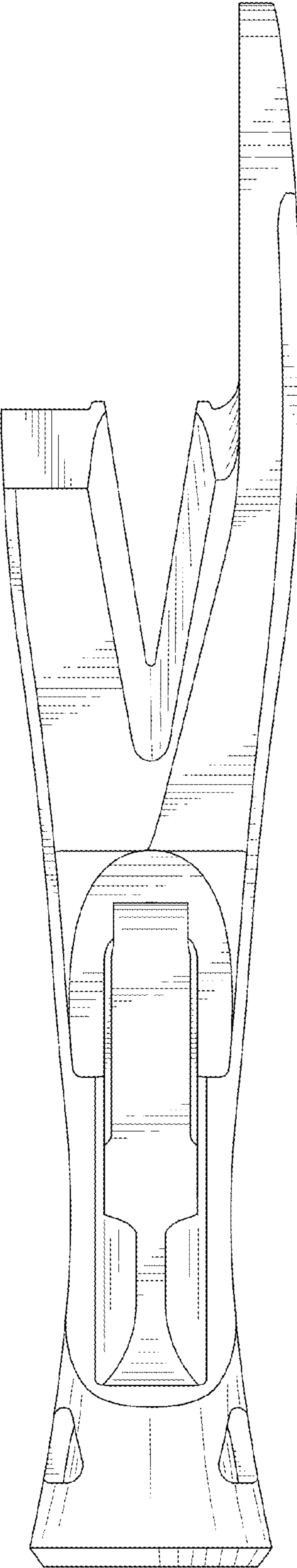


FIG. 8

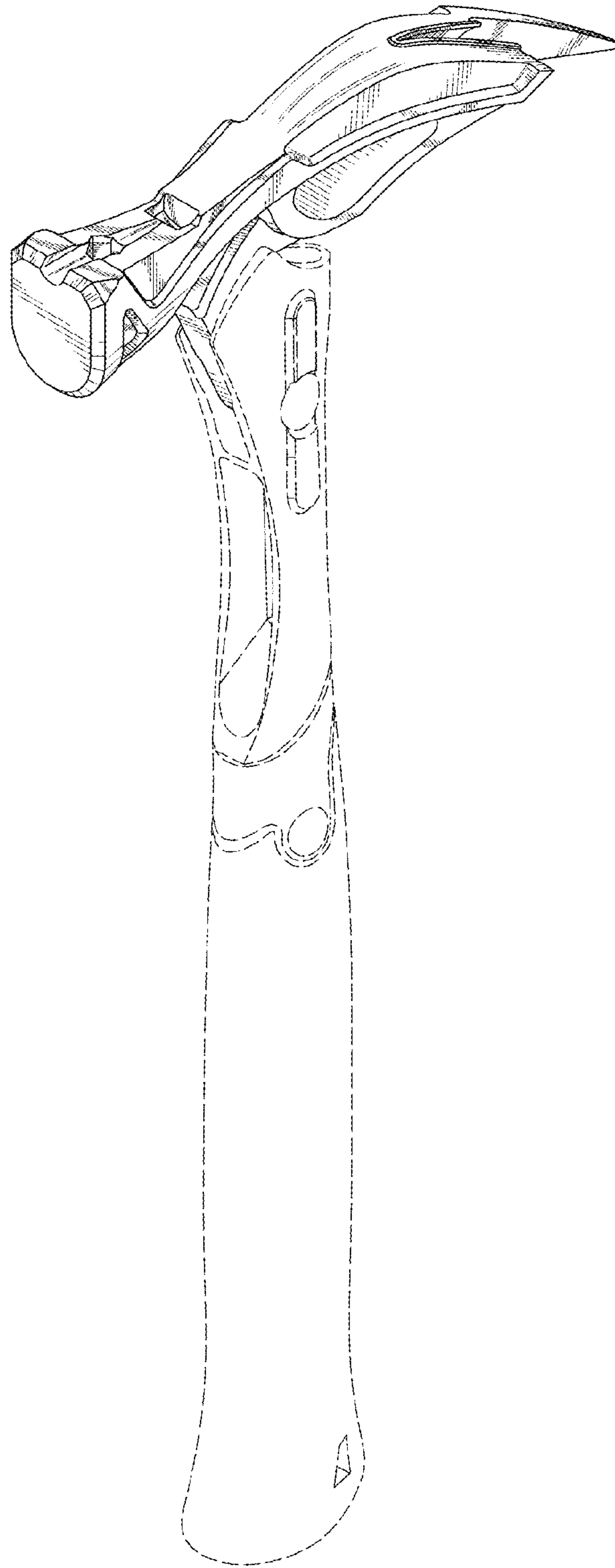


FIG. 9