



US00D743229S

(12) **United States Design Patent**  
**Koeniger et al.**

(10) **Patent No.:** **US D743,229 S**

(45) **Date of Patent:** **\*\* Nov. 17, 2015**

(54) **SCREW MAGAZINE**

(71) Applicant: **Hilti Aktiengesellschaft**, Schaan (LI)

(72) Inventors: **Tobias Koeniger**, Bregenz (AT);  
**Graham Keevy**, Aalen (DE)

(73) Assignee: **Hilti Aktiengesellschaft**, Schaan (LI)

(\*\*) Term: **14 Years**

(21) Appl. No.: **29/457,512**

(22) Filed: **Jun. 11, 2013**

(30) **Foreign Application Priority Data**

Dec. 12, 2012 (WO) ..... DM/080 065

(51) **LOC (10) Cl.** ..... **08-03**

(52) **U.S. Cl.**  
USPC ..... **D8/70**

(58) **Field of Classification Search**  
USPC ..... D8/49, 61-70; 81/54, 57.42, 57.11;  
173/170; 227/8, 66, 130  
See application file for complete search history.

(56) **References Cited**

**U.S. PATENT DOCUMENTS**

D335,250 S *	5/1993	Rosier	.....	D8/68
D365,003 S *	12/1995	Davignon et al.	.....	D8/51
D369,731 S *	5/1996	Rosier	.....	D8/68
D378,185 S *	2/1997	Liu	.....	D8/68
5,842,625 A *	12/1998	Kimura	.....	227/127
6,431,036 B1 *	8/2002	Obermeier	.....	81/434
D491,035 S *	6/2004	Buck	.....	D8/68
D522,330 S *	6/2006	Arnold et al.	.....	D8/51
D532,668 S *	11/2006	Wen	.....	D8/69
8,174,274 B2 *	5/2012	Lawrence et al.	.....	324/686
D677,549 S *	3/2013	Baron et al.	.....	D8/70
D691,012 S *	10/2013	Buetow et al.	.....	D8/69
2012/0280016 A1 *	11/2012	Segura et al.	.....	227/120

**OTHER PUBLICATIONS**

HiltiNorthAmerica. "Hilti SD-M1 Collated Drywall Screw Magazine." YouTube.com., Dec. 12, 2013 [online], [retrieved on Feb. 27, 2014]. Retrieved from the Internet <URL: <https://www.youtube.com/watch?v=v5oGktRT1S8>>.\*

(Continued)

*Primary Examiner* — Philip S Hyder

*Assistant Examiner* — Darlington Ly

(74) *Attorney, Agent, or Firm* — Crowell & Moring LLP

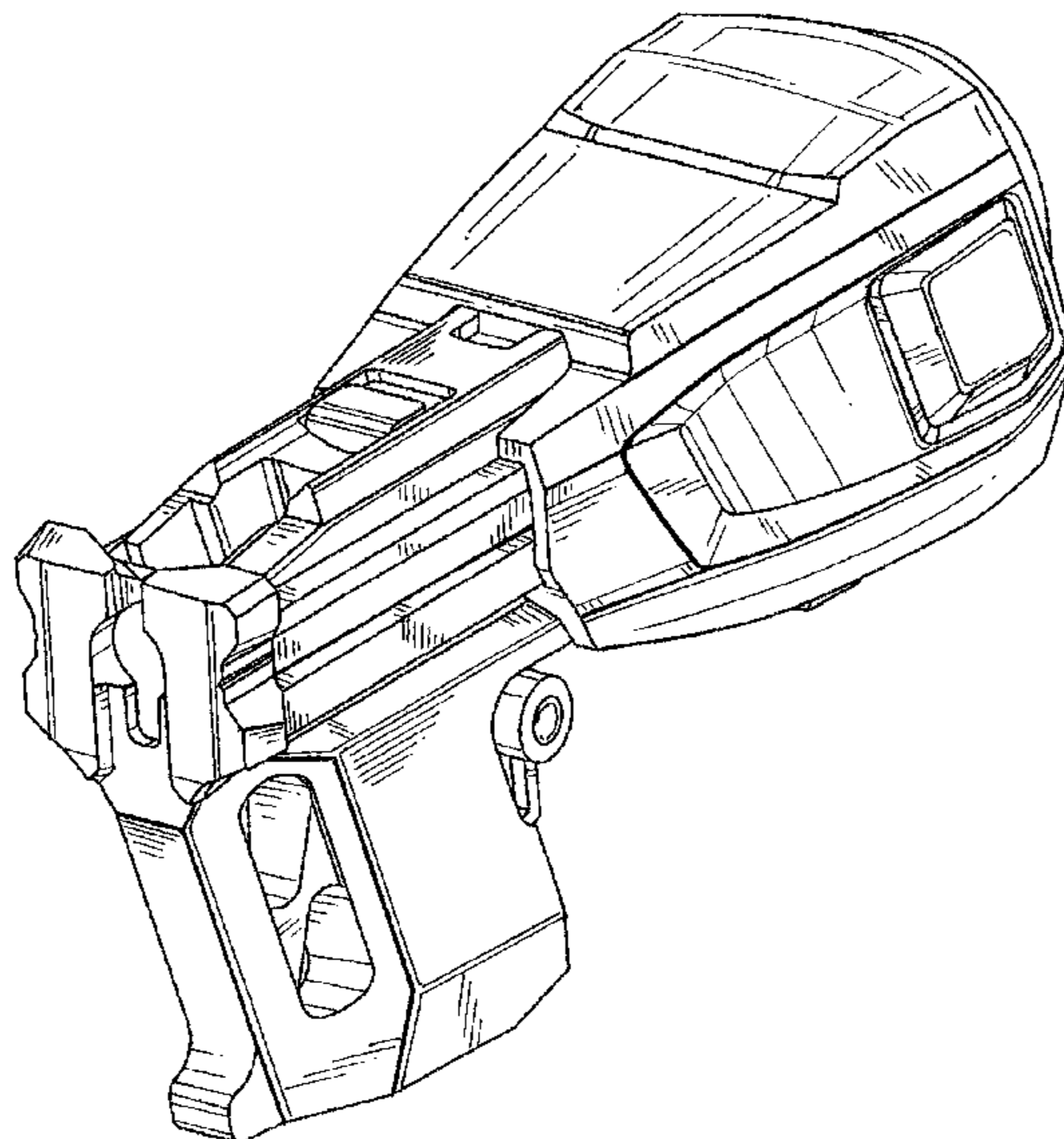
(57) **CLAIM**

The ornamental design for a screw magazine, as shown and described.

**DESCRIPTION**

FIG. 1 is a left, top, front perspective view of a screw magazine according to the design;  
FIG. 2 is a right, bottom, rear perspective view thereof;  
FIG. 3 is a right side view thereof;  
FIG. 4 is a left side view thereof;  
FIG. 5 is a front view thereof;  
FIG. 6 is a rear view thereof;  
FIG. 7 is a top view thereof; and  
FIG. 8 is a bottom view thereof.  
FIG. 9 is a left, top, front perspective view of a screw magazine according to the design, in an extended position;  
FIG. 10 is a right, bottom, rear perspective view thereof;  
FIG. 11 is a right side view thereof;  
FIG. 12 is a left side view thereof;  
FIG. 13 is a front view thereof;  
FIG. 14 is a rear view thereof;  
FIG. 15 is a top view thereof; and,  
FIG. 16 is a bottom view thereof.

**1 Claim, 16 Drawing Sheets**



(56)

**References Cited**

OTHER PUBLICATIONS

“Get your jobsite up to speed. SD-M 1 Collated Drywall Screw Magazine.” Hilti Innovation Winter 2014, p. 12., Jan. 8, 2014[online], [retrieved on Feb. 27, 2014]. Retrieved from the Internet <URL: [https://www.us.hilti.com/medias/sys\\_master/h0c/h46/9108065746974.pdf?mime=application%2Fpdf](https://www.us.hilti.com/medias/sys_master/h0c/h46/9108065746974.pdf?mime=application%2Fpdf)

&realname=Innovations\_Winter+14\_ENG\_lo+res%5B6%5D.pdf>.\*

“Hilti Screw Fastening Systems.” Hilti Product Catalogue. p. 76., May 16, 2011 [online], [retrieved on Feb. 27, 2014]. Retrieved from the Internet <URL: <https://www.hilti.com.au/fstore/holau/techlib/docs/Hilti%20product%20catalogue%20-%20screw%20fastening%20systems.pdf>>.\*

\* cited by examiner

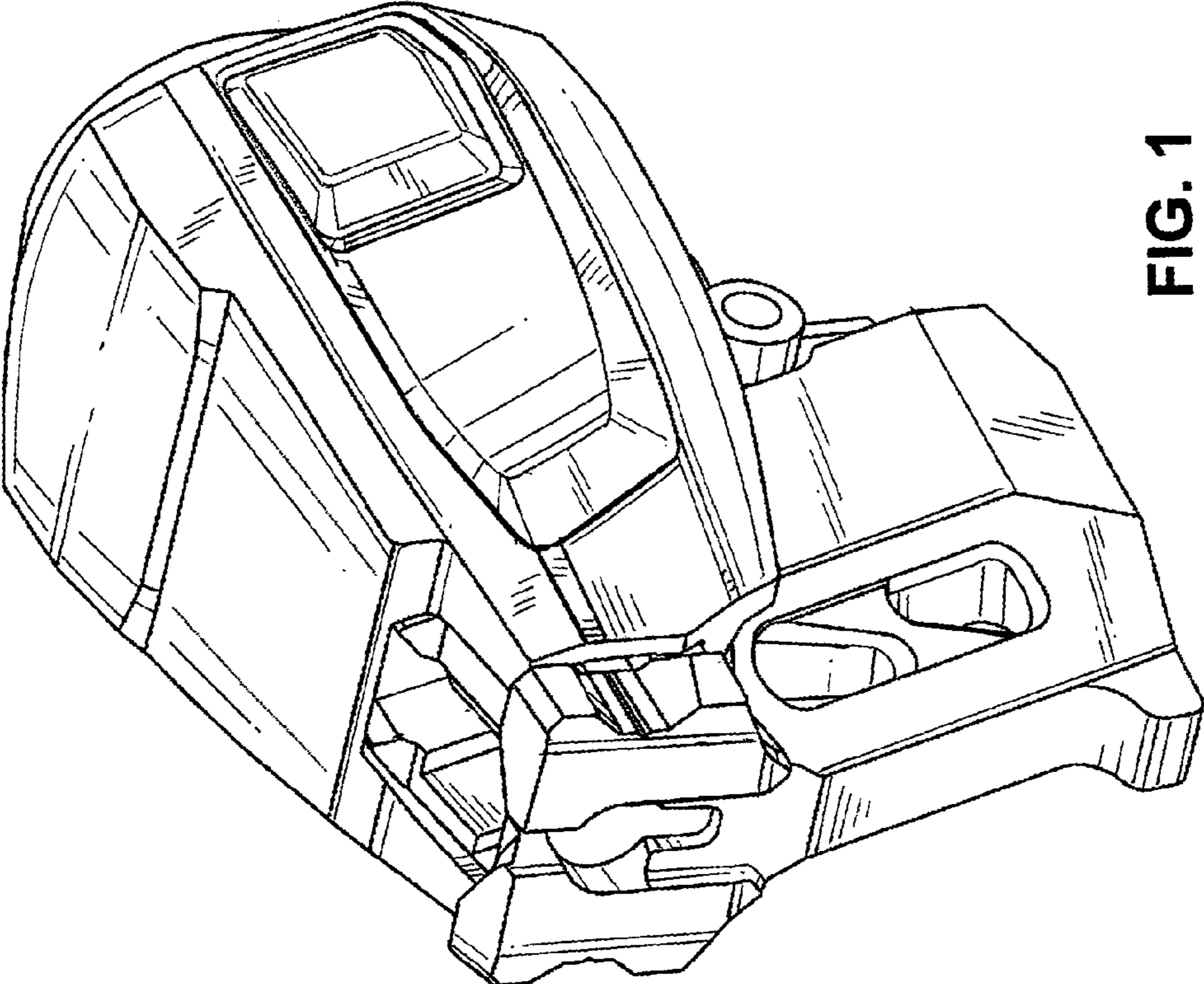


FIG. 1

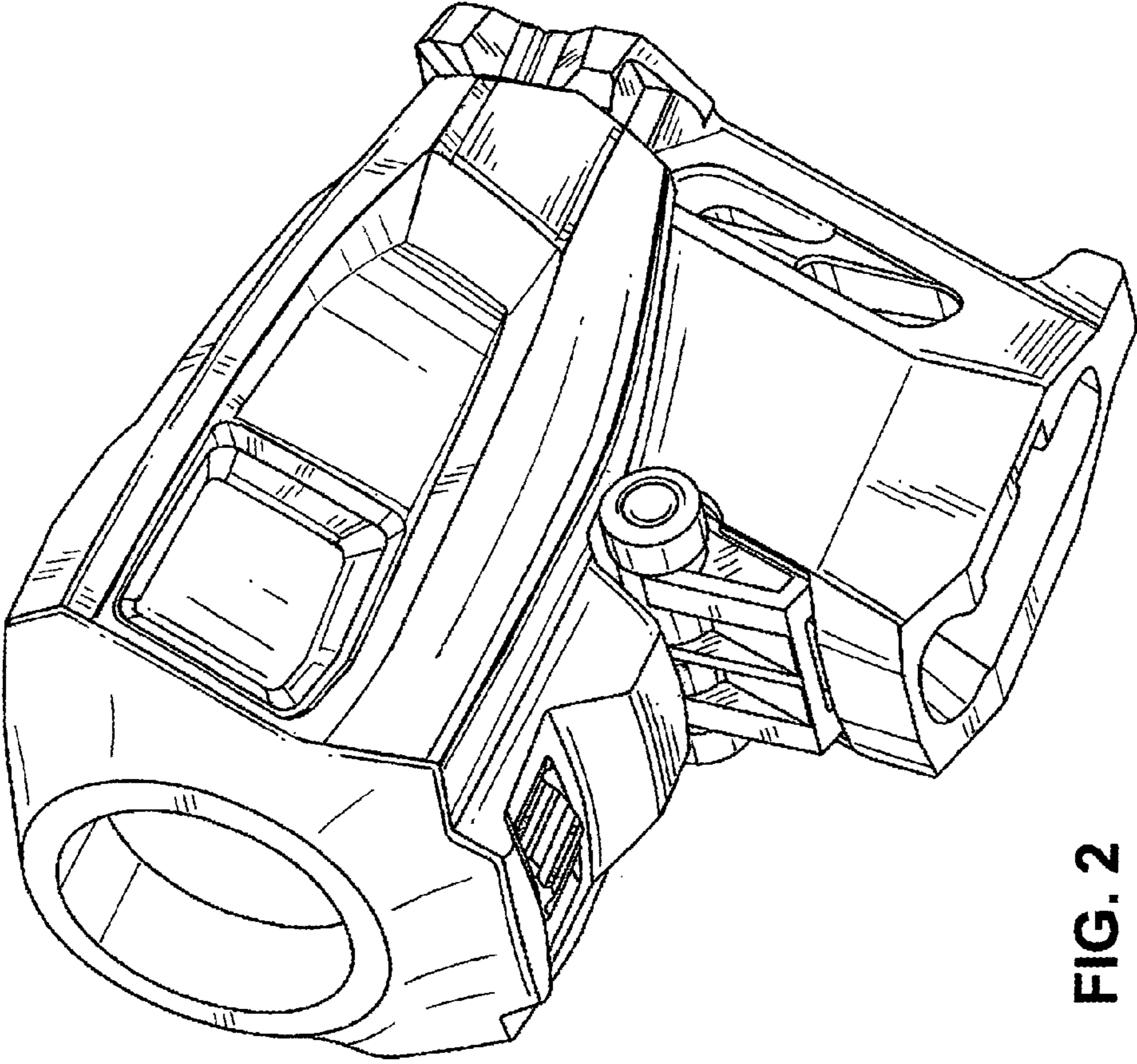


FIG. 2



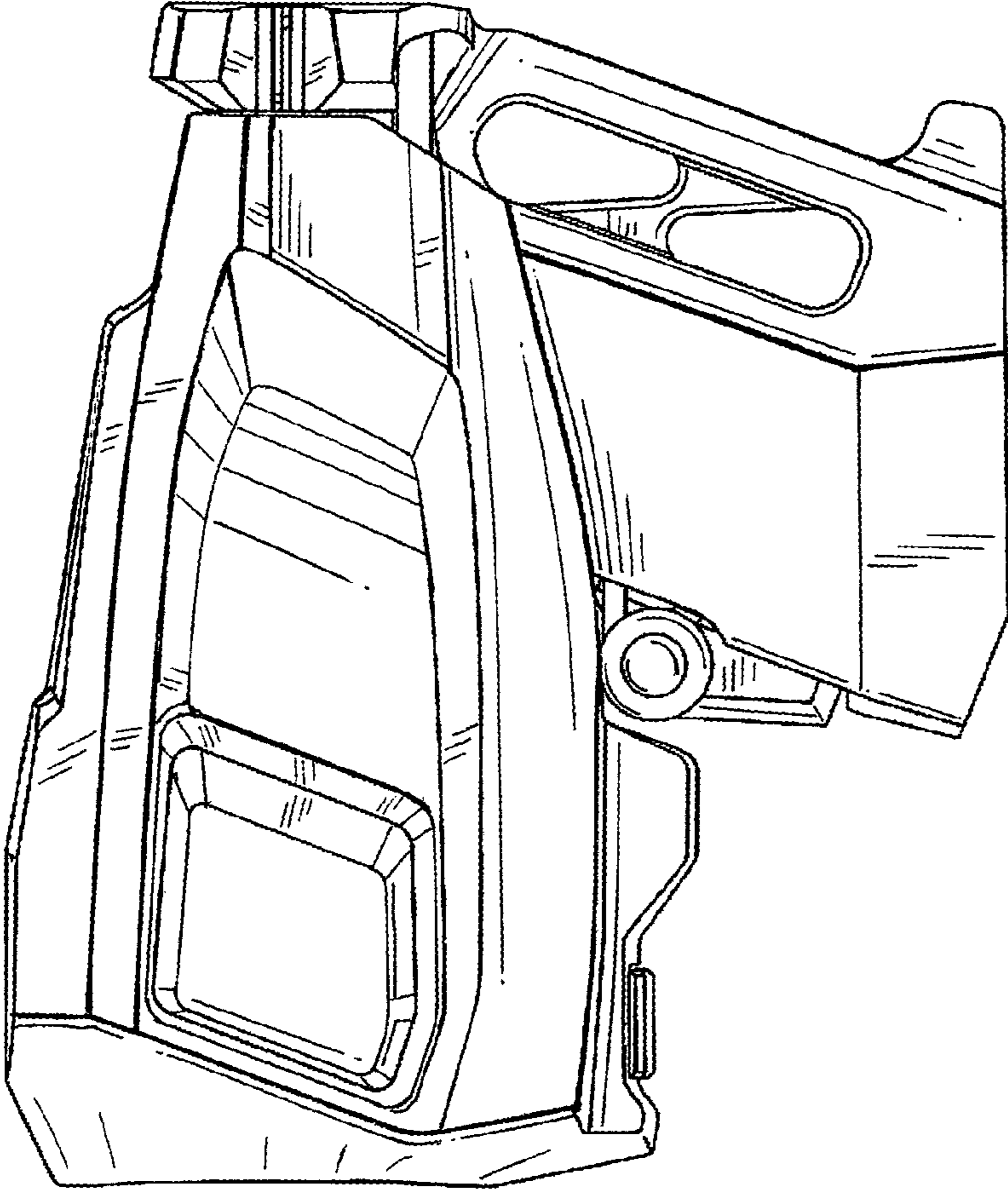


FIG. 3

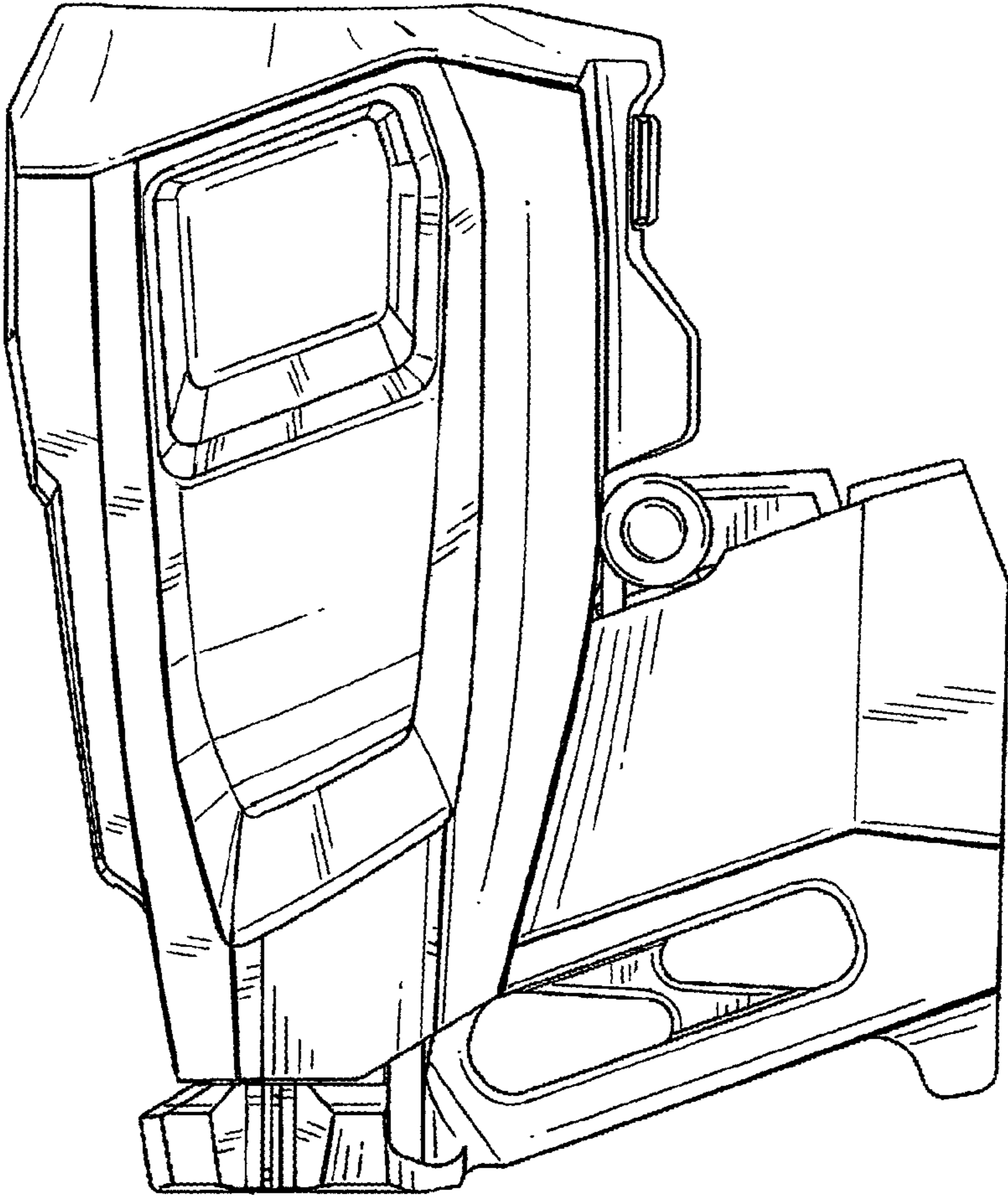


FIG. 4

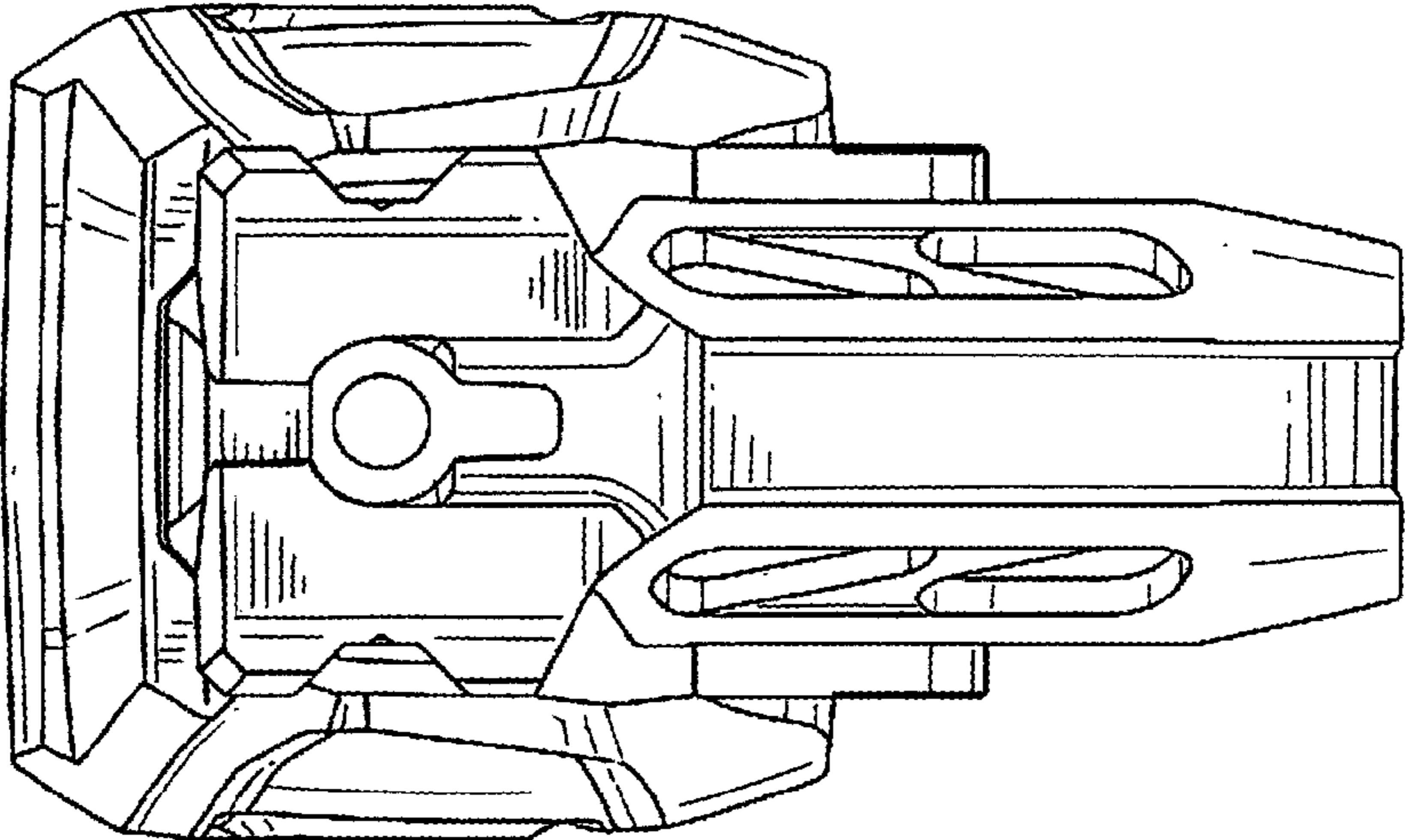


FIG. 5

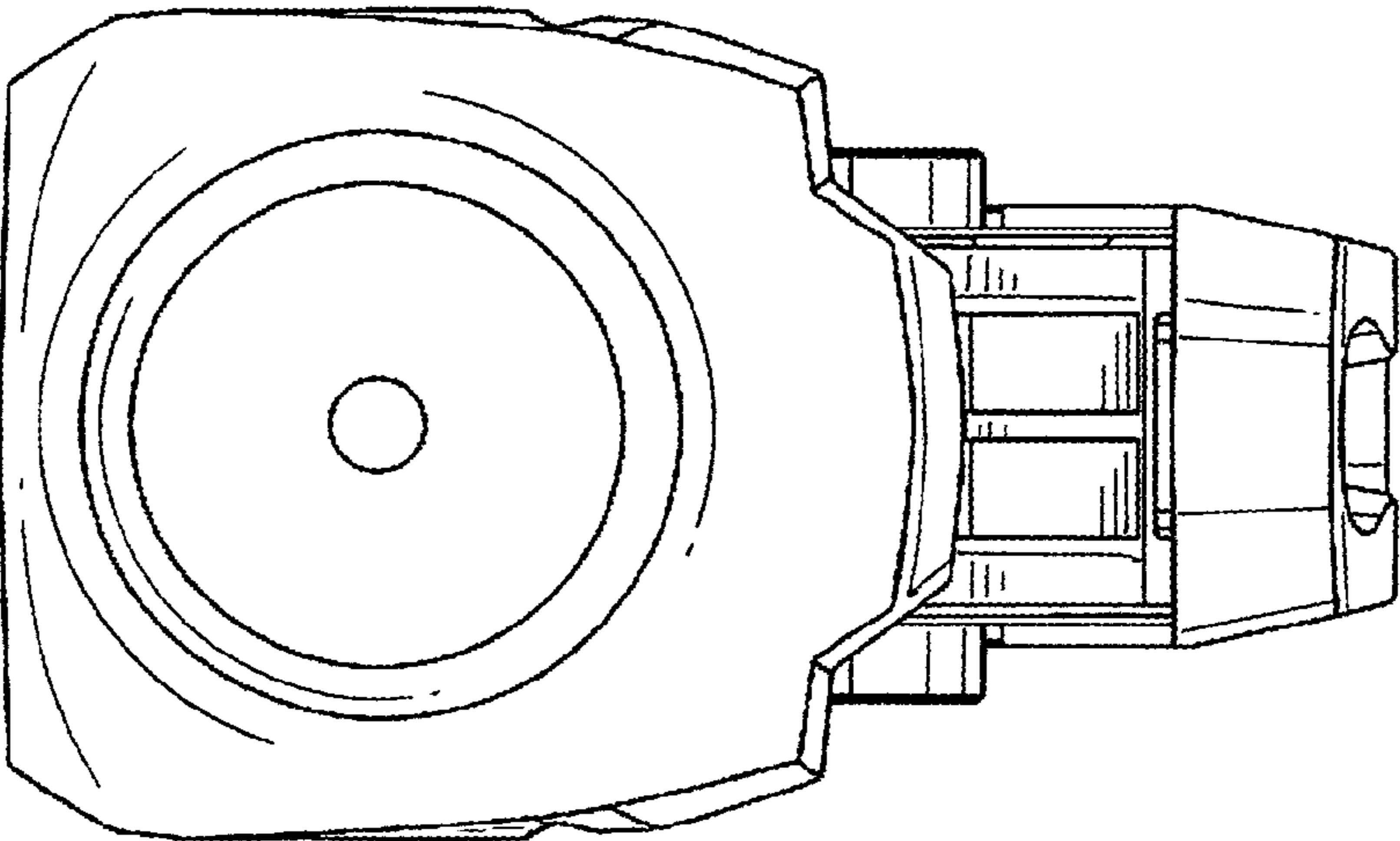


FIG. 6



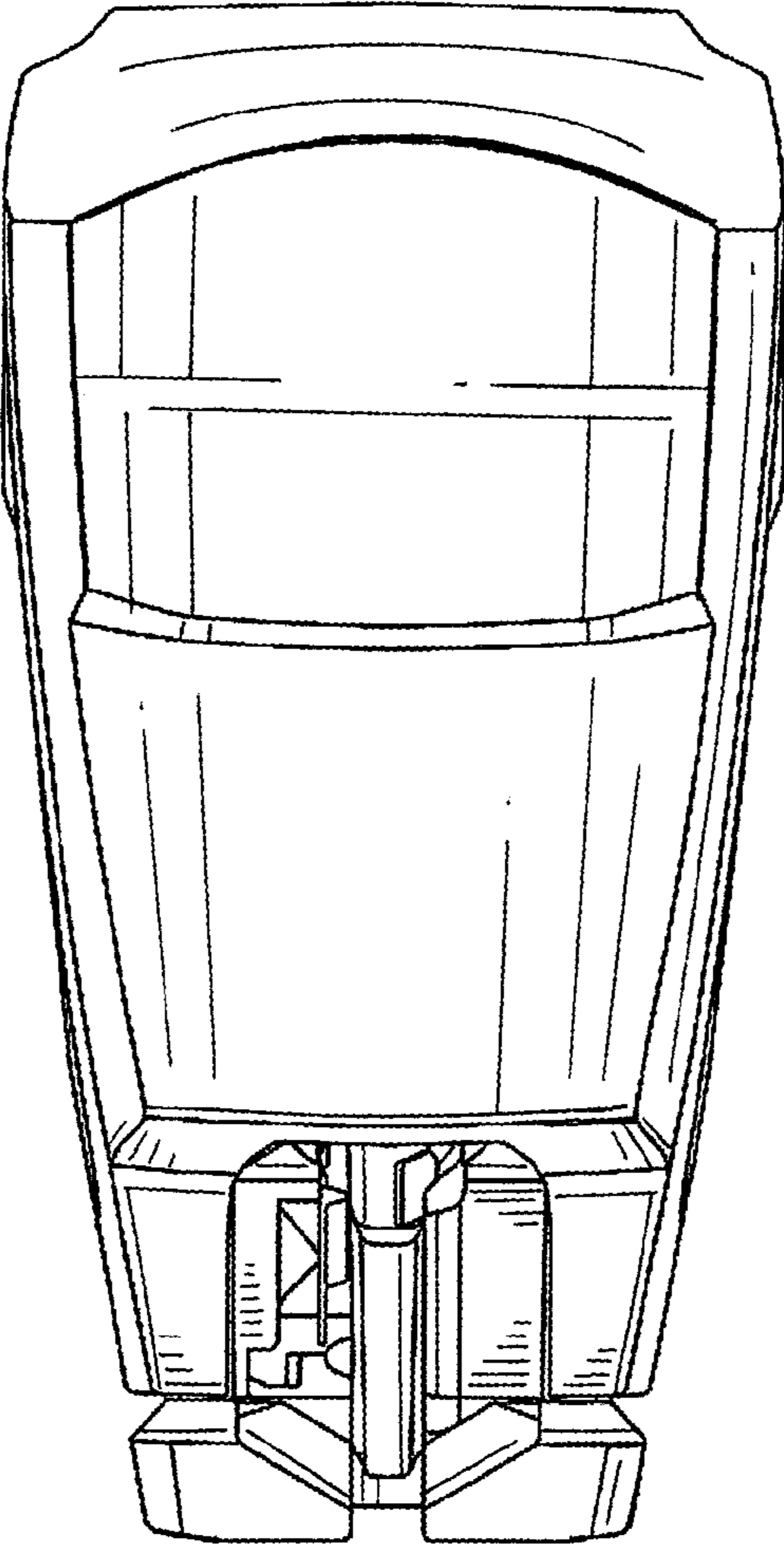


FIG. 7

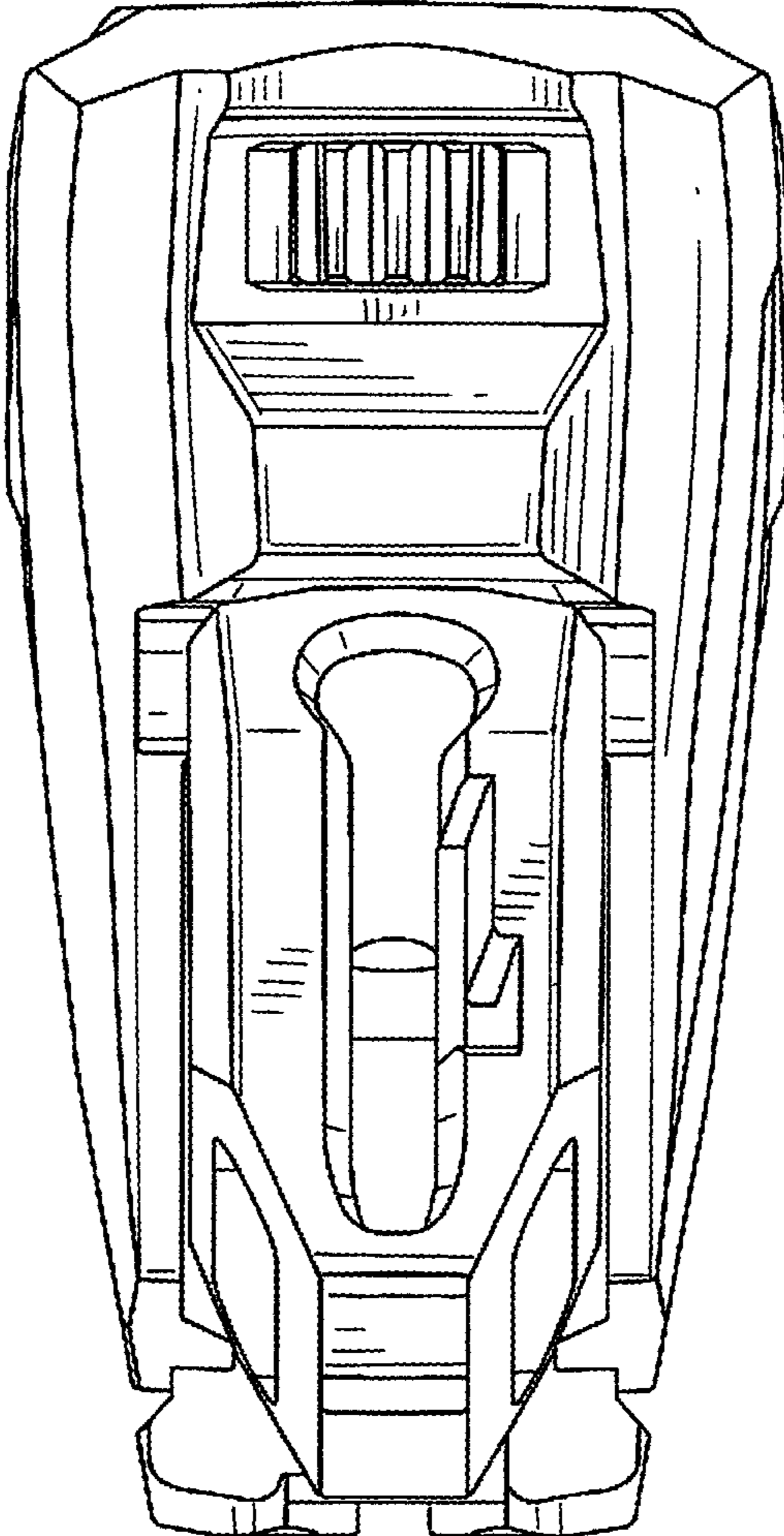


FIG. 8

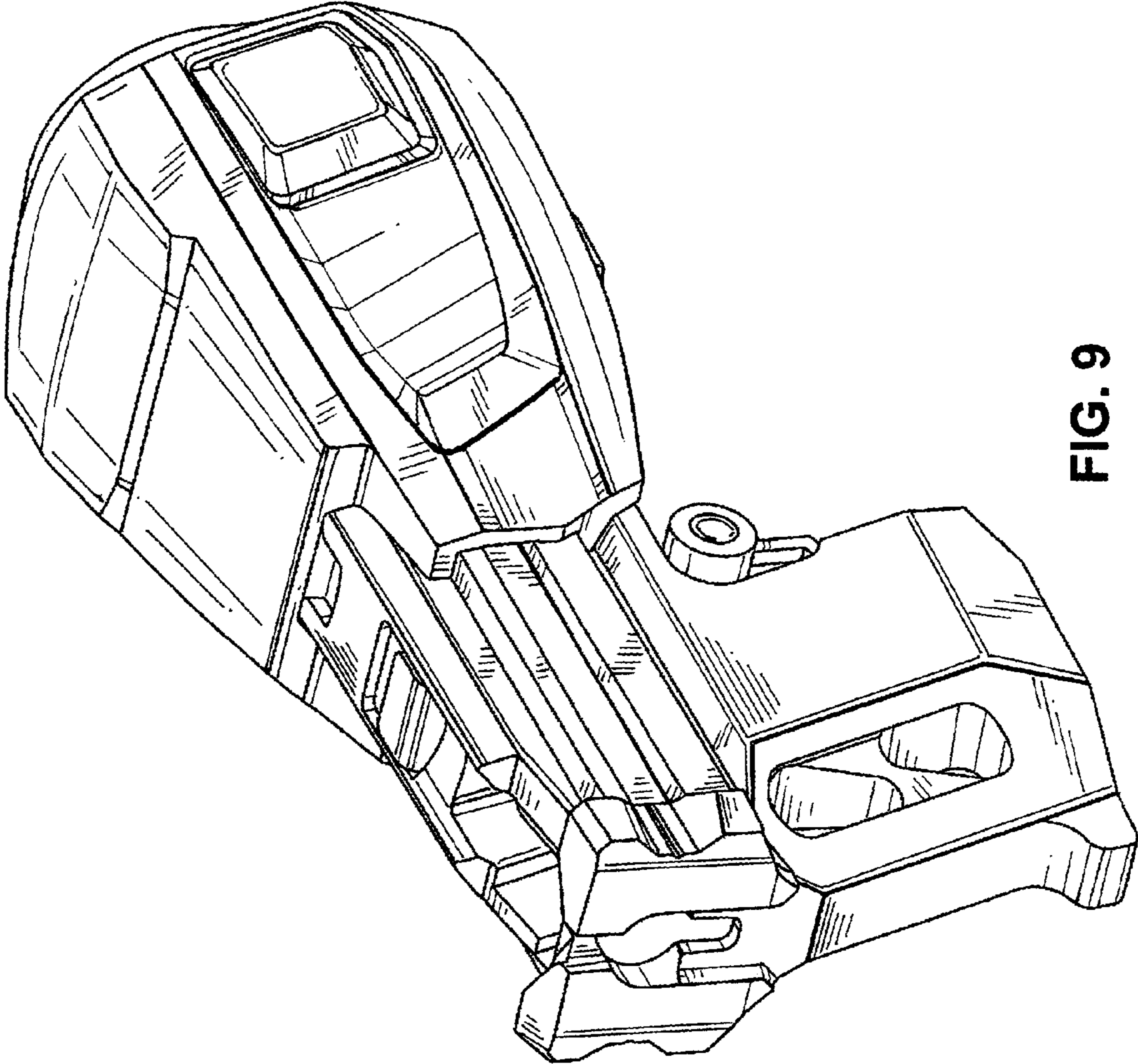


FIG. 9

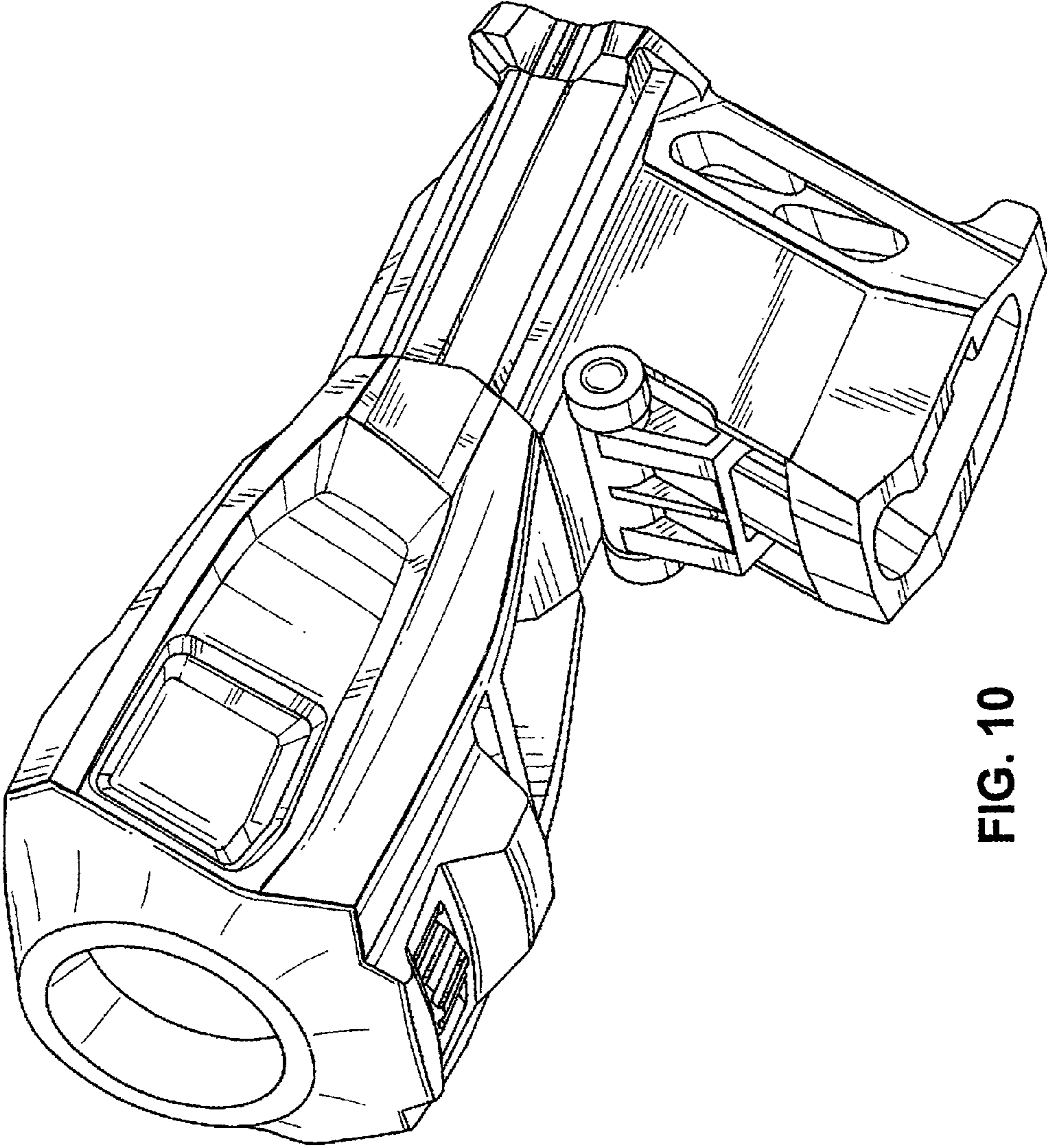


FIG. 10

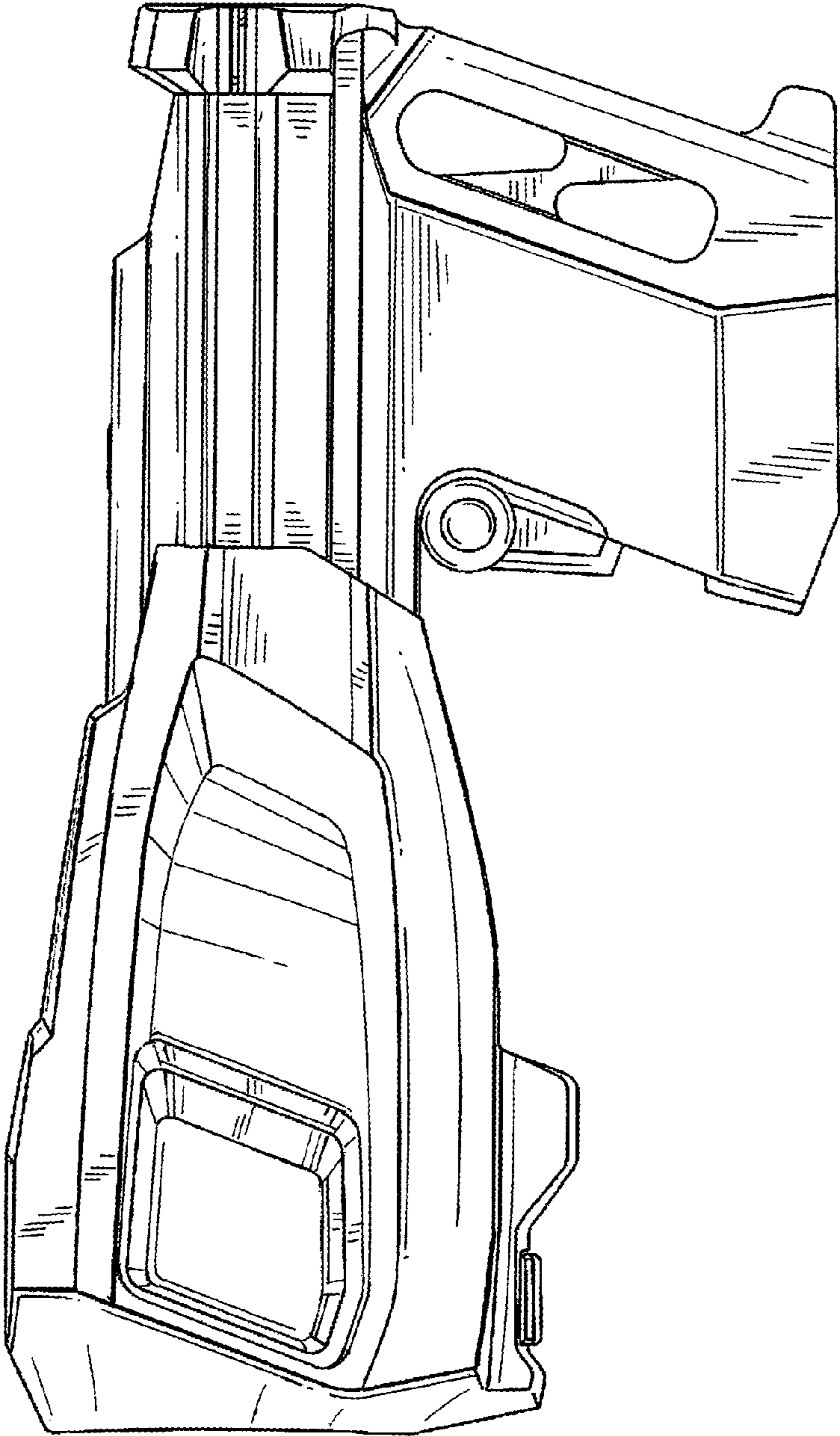


FIG. 11



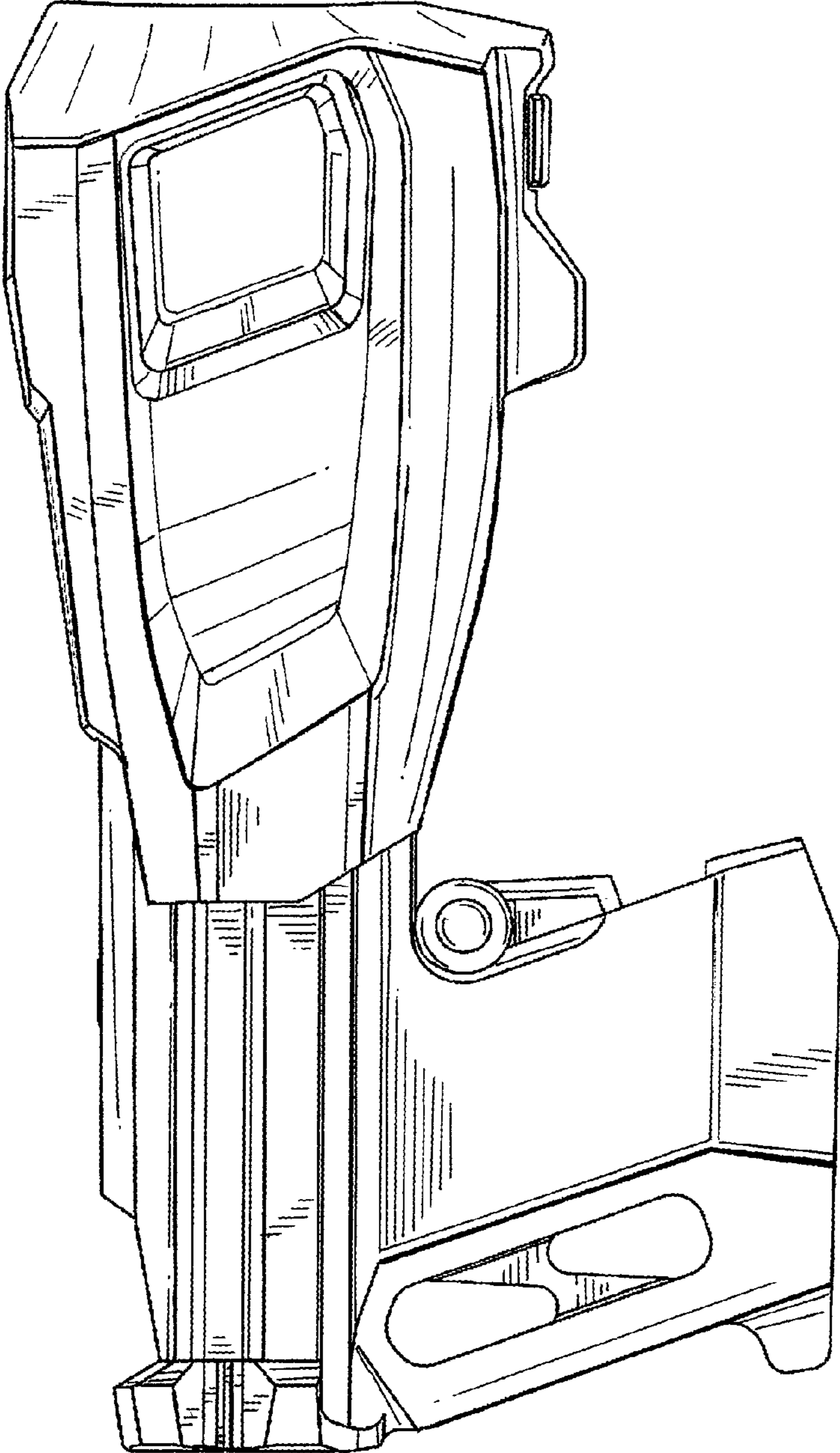


FIG. 12

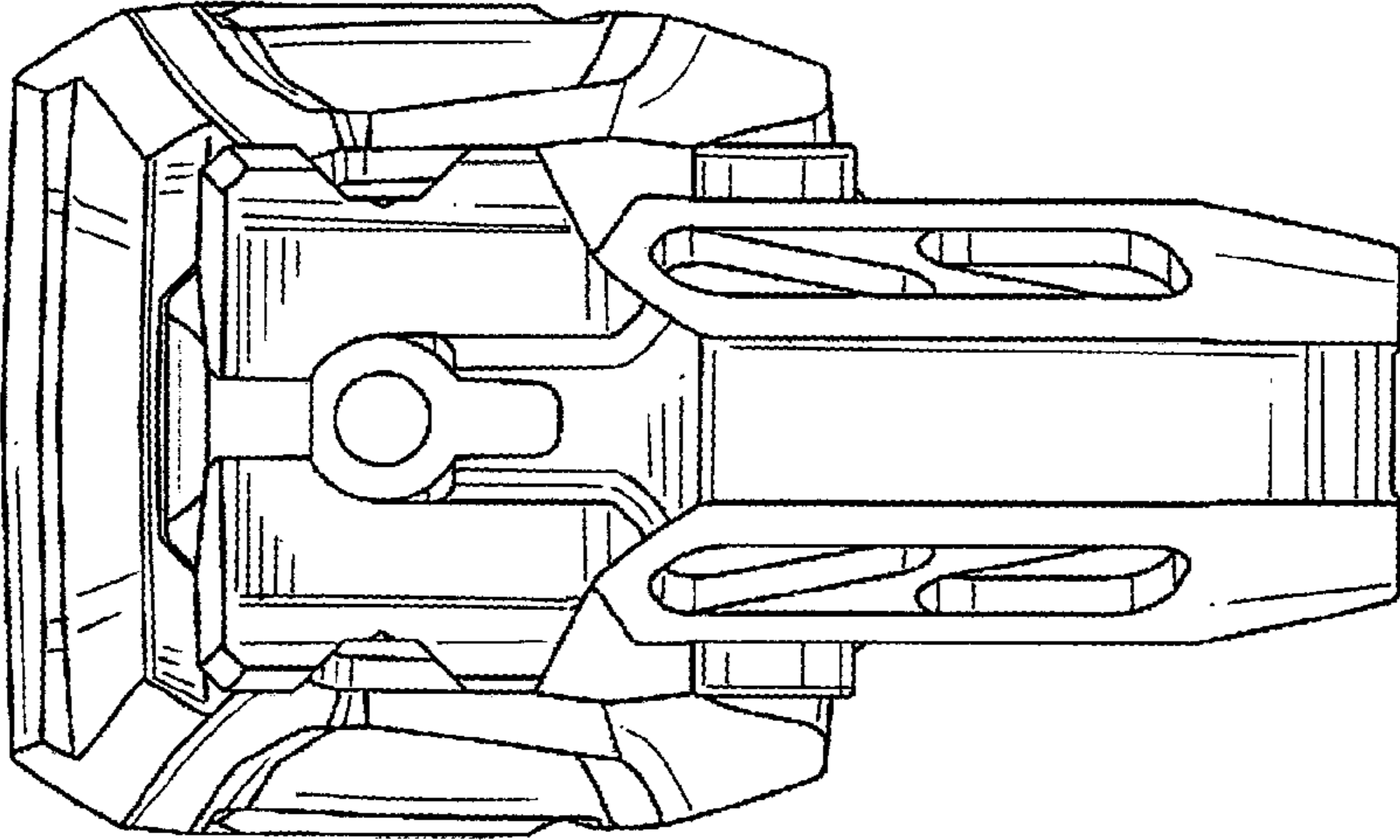


FIG. 13

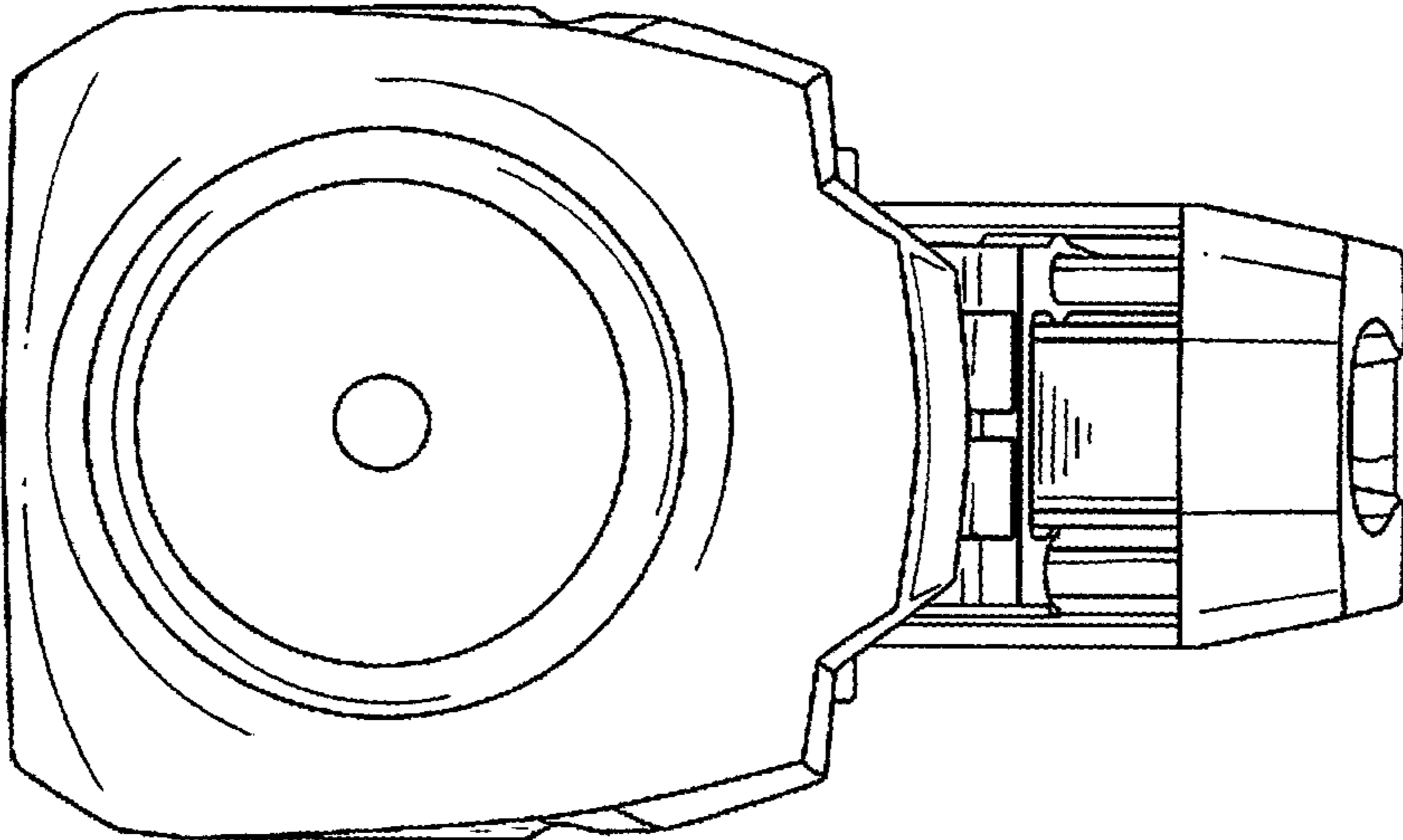


FIG. 14

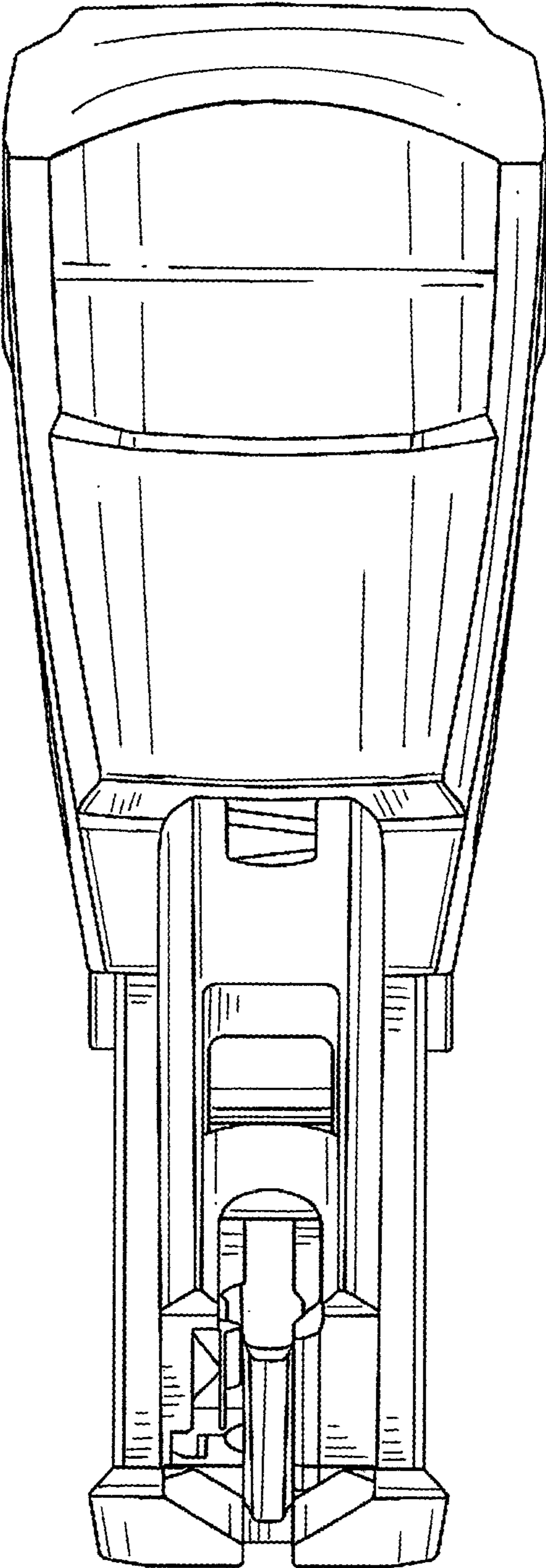


FIG. 15

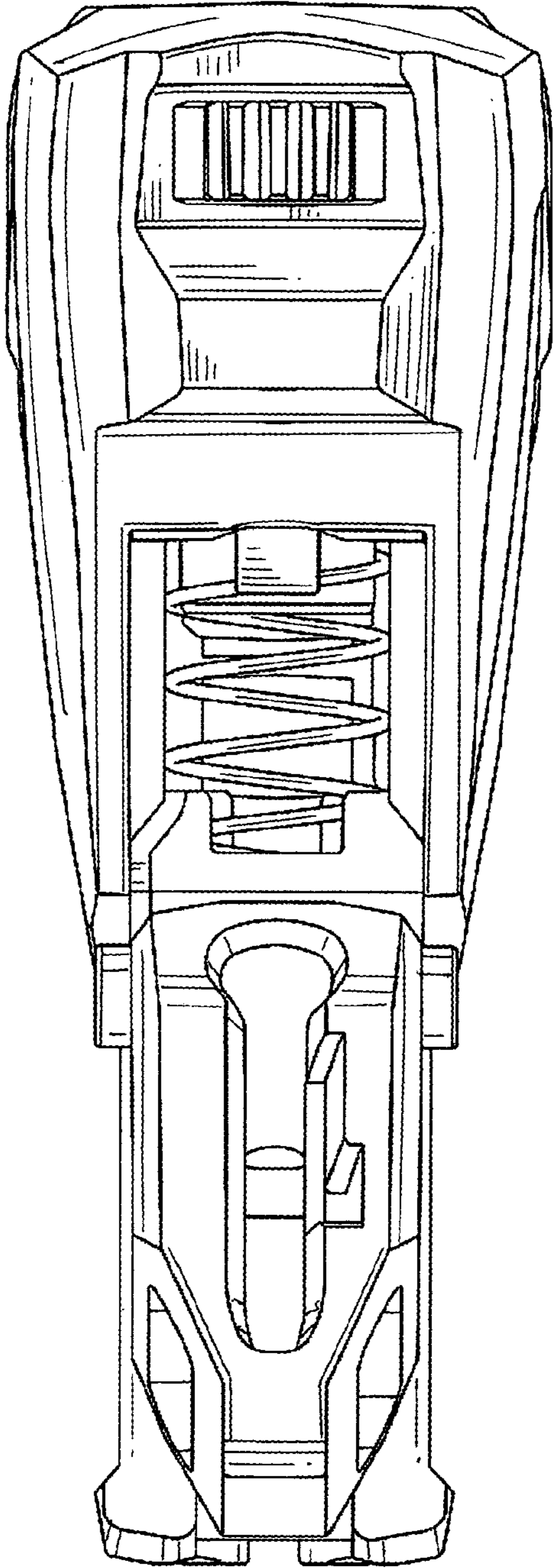


FIG. 16