



US00D743228S

(12) **United States Design Patent**
Koeniger et al.

(10) **Patent No.:** **US D743,228 S**

(45) **Date of Patent:** **** Nov. 17, 2015**

(54) **BREAKER**

(71) Applicant: **Hilti Aktiengesellschaft**, Schaan (LI)

(72) Inventors: **Tobias Koeniger**, Bregenz (AT); **Heiko Aupperle**, Heerbrugg (CH)

(73) Assignee: **Hilti Aktiengesellschaft**, Schaan (LI)

(**) Term: **14 Years**

(21) Appl. No.: **29/490,912**

(22) Filed: **May 15, 2014**

(30) **Foreign Application Priority Data**

Nov. 18, 2013 (WO) DM/082 217

(51) **LOC (10) Cl.** **08-03**

(52) **U.S. Cl.**
USPC **D8/69**

(58) **Field of Classification Search**
USPC D8/14.1, 61-70; 81/429, 454-456, 469,
81/489; 173/104, 114, 168-171, 178, 201,
173/211, 213, 217; 408/20, 124, 125, 234
CPC B25D 16/00; B25D 17/06; B23D 51/16;
B25F 1/006
See application file for complete search history.

(56) **References Cited**

U.S. PATENT DOCUMENTS

D491,438 S * 6/2004 Cheung et al. D8/68
D525,849 S * 8/2006 Hayakawa et al. D8/69
D555,451 S * 11/2007 Okuda et al. D8/69
D575,606 S * 8/2008 Okouchi et al. D8/69
D581,235 S * 11/2008 Aglassinger D8/69
D587,547 S * 3/2009 Aglassinger D8/69
D592,028 S * 5/2009 Taniguchi et al. D8/69
D595,101 S * 6/2009 Bast D8/68

D604,583 S * 11/2009 Yamamoto et al. D8/69
D610,478 S * 2/2010 Bast D10/69
D691,011 S * 10/2013 Walz et al. D8/69
2013/0025895 A1 * 1/2013 Friedrich 173/133
2014/0144658 A1 * 5/2014 Schmid et al. 173/90

FOREIGN PATENT DOCUMENTS

JP 2007001005 A * 1/2007 B25D 17/24
JP 2010247239 A * 11/2010 B25D 17/24
JP 2012143869 A * 8/2012 B25D 17/24

OTHER PUBLICATIONS

“Proven and improved. TE 70-AVR and TE 70-AVR-ATC Combihammers.” Hilti Products., Jan. 23, 2014 [online], [retrieved on Sep. 3, 2014]. Retrieved from the Internet <URL: https://www.us.hilti.com/te-70-avr>.*

(Continued)

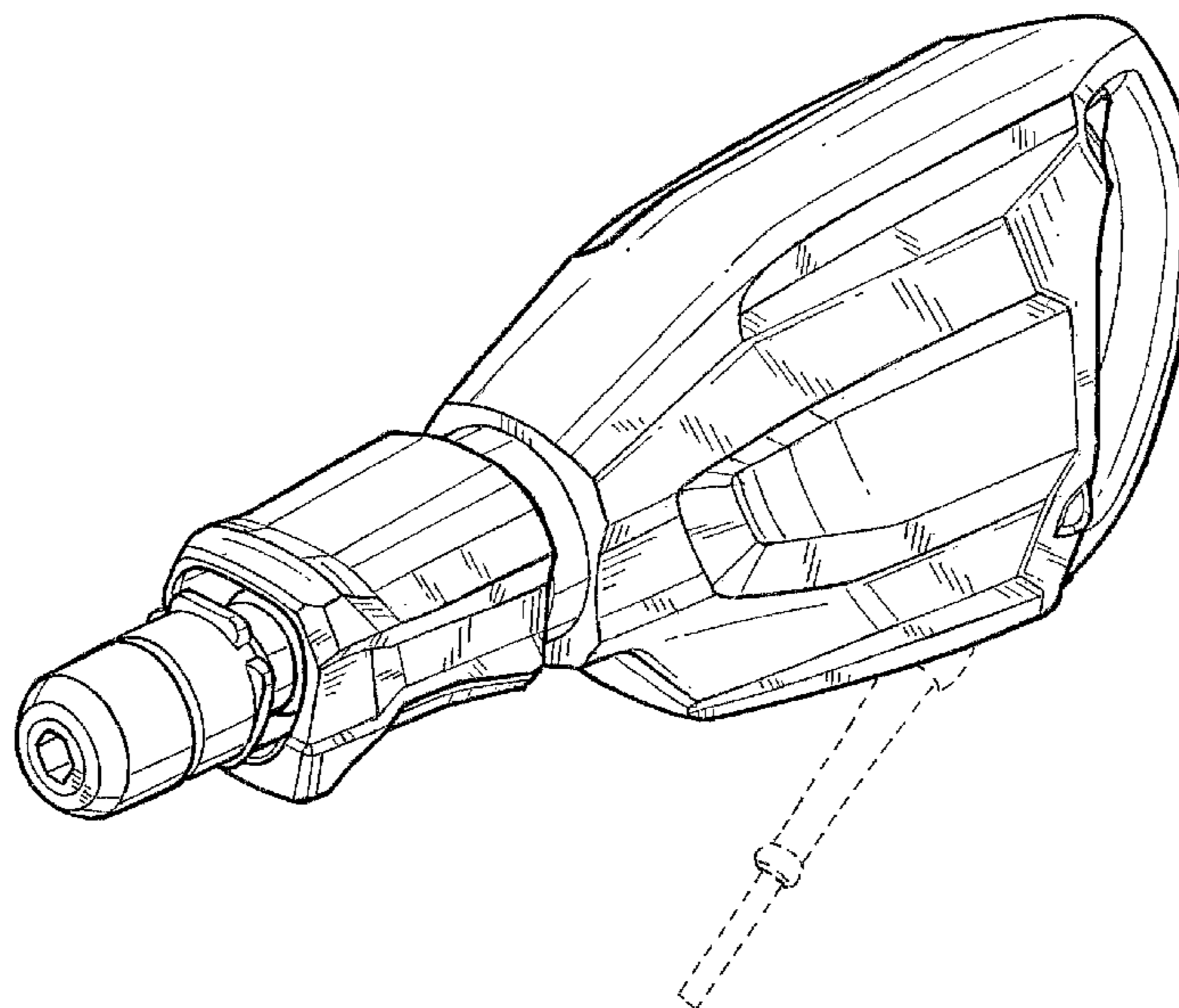
Primary Examiner — Phillip S Hyder
Assistant Examiner — Darlington Ly
(74) *Attorney, Agent, or Firm* — Crowell & Moring LLP

(57) **CLAIM**
The ornamental design for a breaker, as shown and described.

DESCRIPTION

FIG. 1 is a left, front perspective view of a breaker according to the design;
FIG. 2 is a right, rear perspective view thereof;
FIG. 3 is a left side view thereof;
FIG. 4 is a right side view thereof;
FIG. 5 is a top view thereof;
FIG. 6 is a bottom view thereof;
FIG. 7 is a front view thereof; and,
FIG. 8 is a rear view thereof.
The broken lines shown in the drawings illustrate portions of the breaker that form no part of the claimed design.

1 Claim, 6 Drawing Sheets



(56)

References Cited

OTHER PUBLICATIONS

“35 lb. Demolition Hammer, accepts 1-1/8" Hex bits Model HM1307CB.” Makita Tools., Dec. 13, 2010 [online], [retrieved on Sep. 3, 2014]. Retrieved from the Internet <URL: <http://www.makitatools.com/en-us/Modules/Tools/ToolDetails.aspx?Name=HM1307CB>>.*

Dewalt TV. “Vibration—Chipping and Demolition Hammer Shocks—Dewalt Perform & Protect.” YouTube., Aug. 31, 2012 [online], [retrieved on Sep. 3, 2014]. Retrieved from the Internet <URL: https://www.youtube.com/watch?v=xu-ZoR_wkKU>.*

* cited by examiner

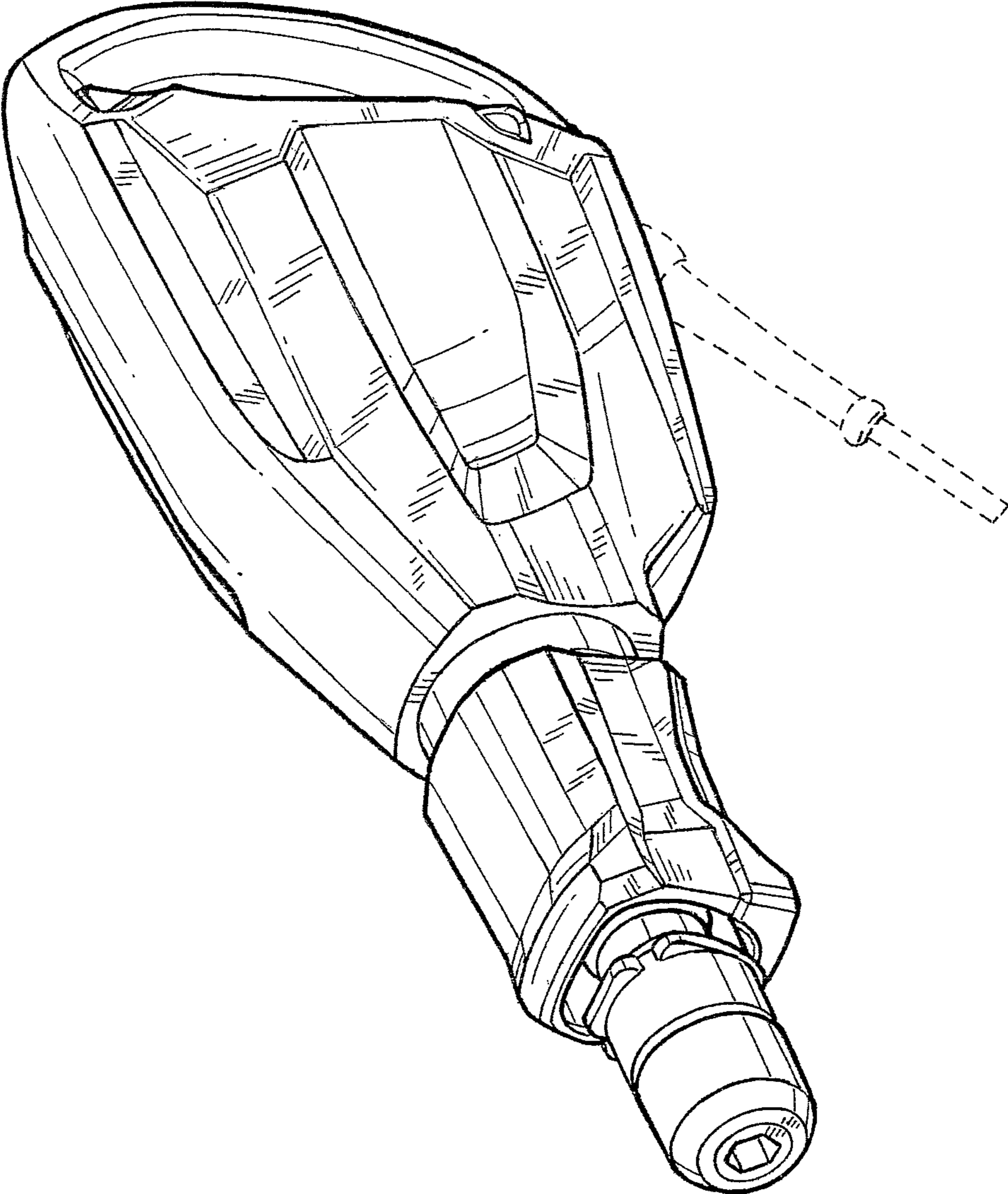


FIG. 1

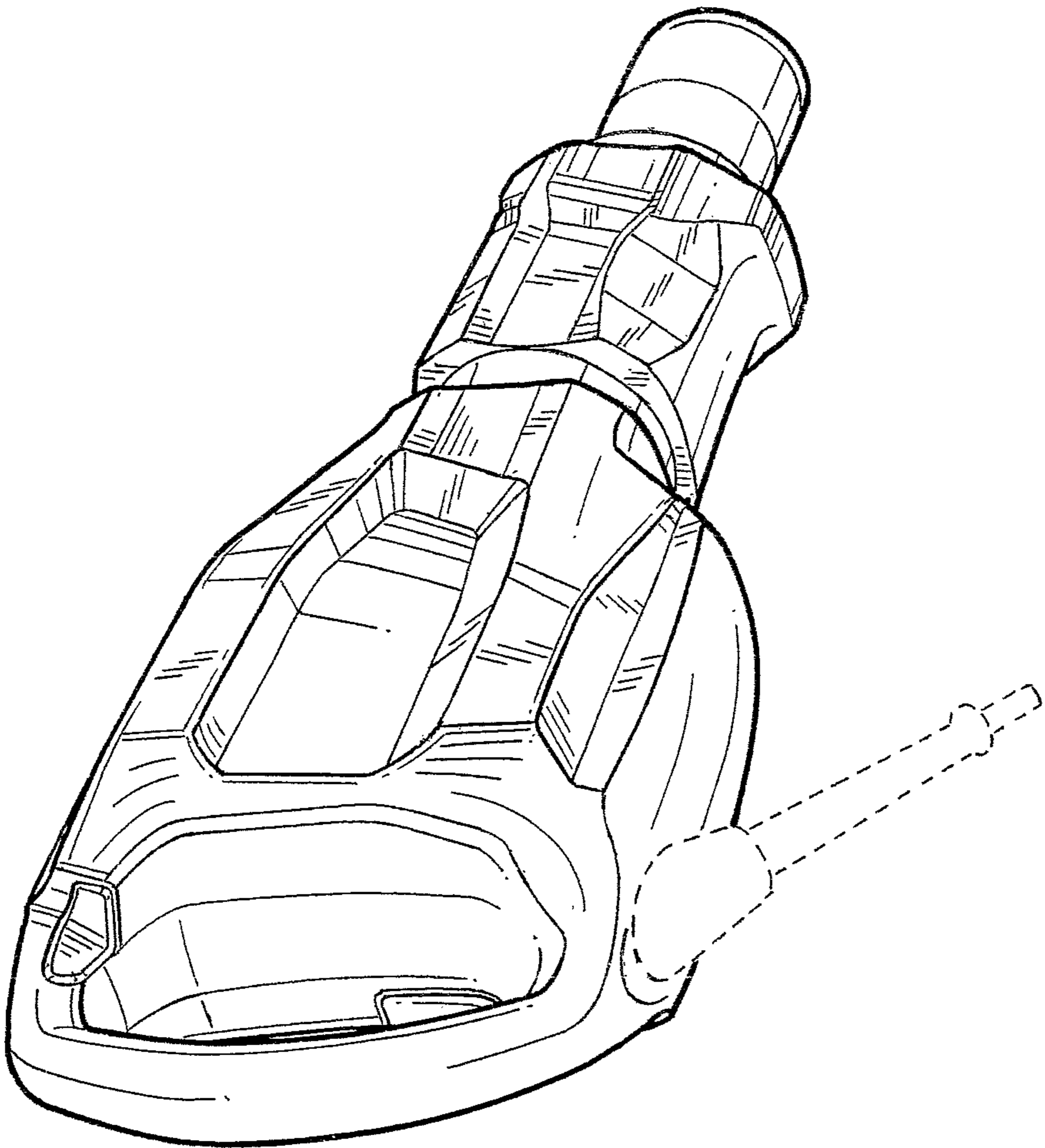


FIG. 2

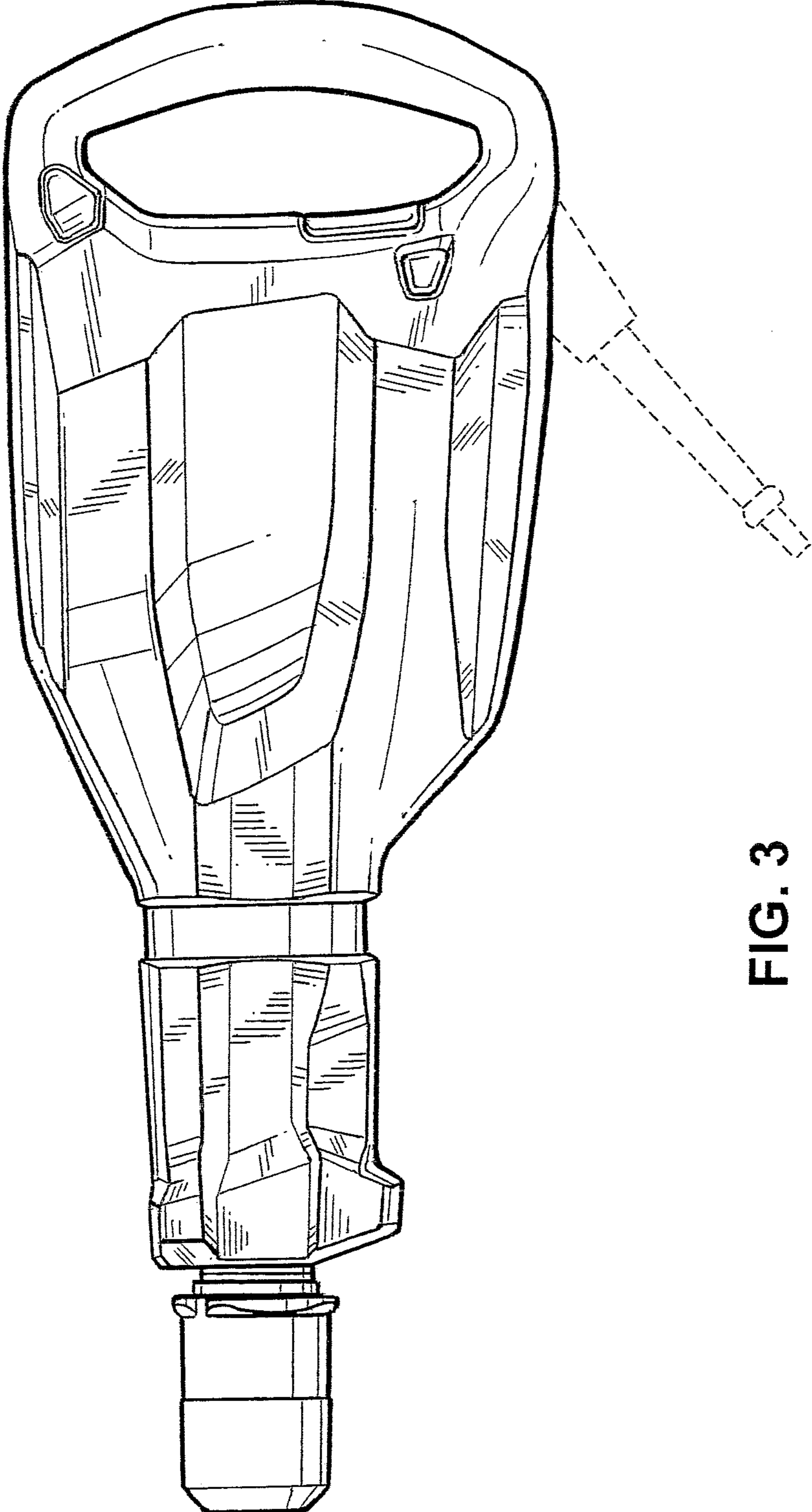


FIG. 3

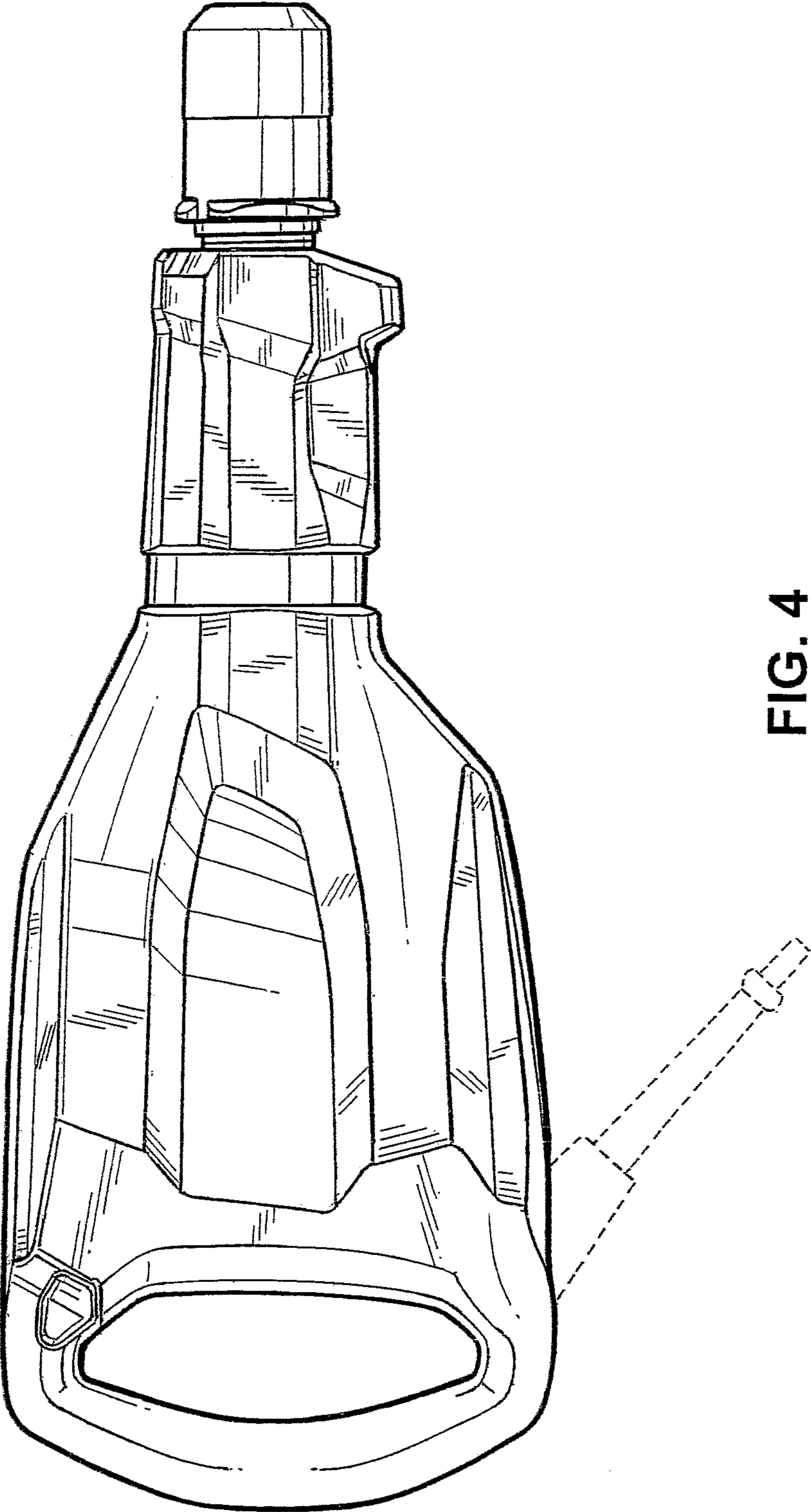


FIG. 4

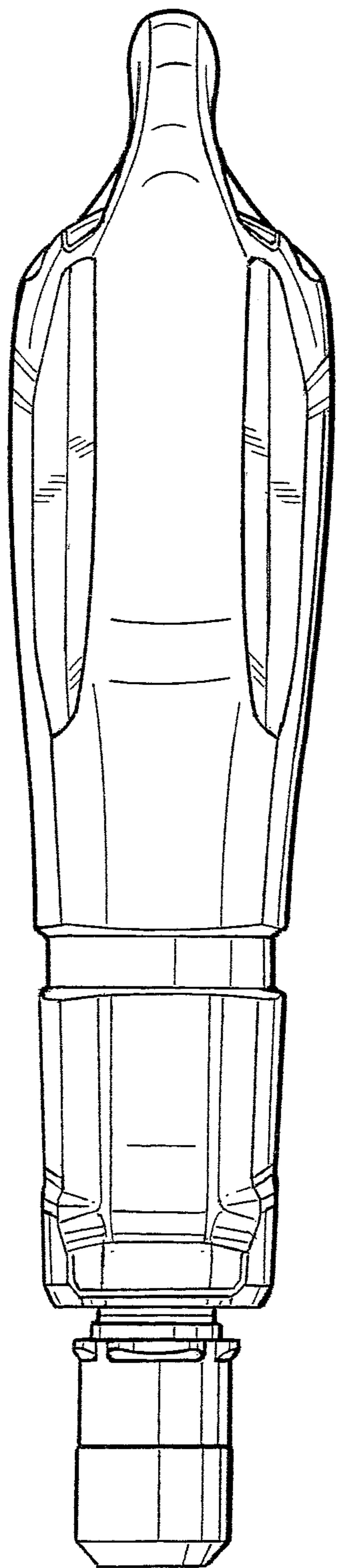


FIG. 5

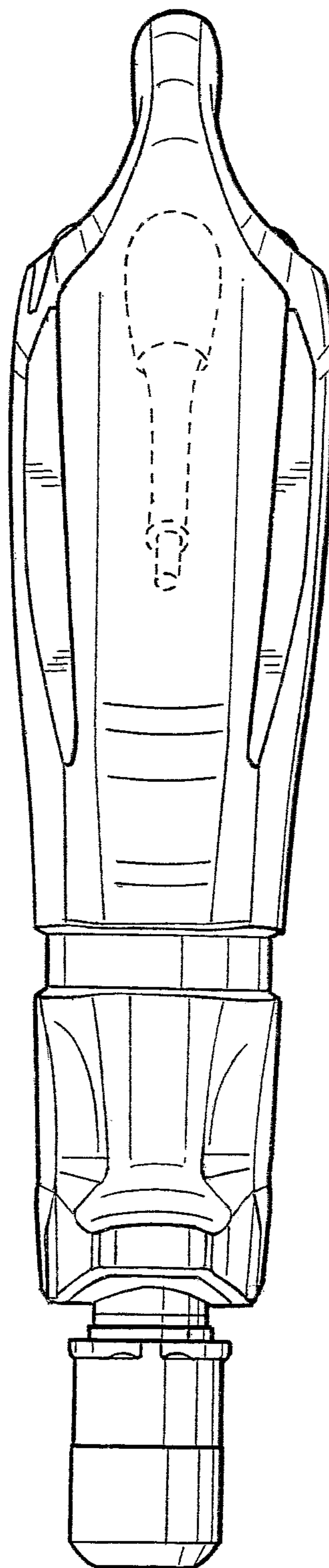


FIG. 6

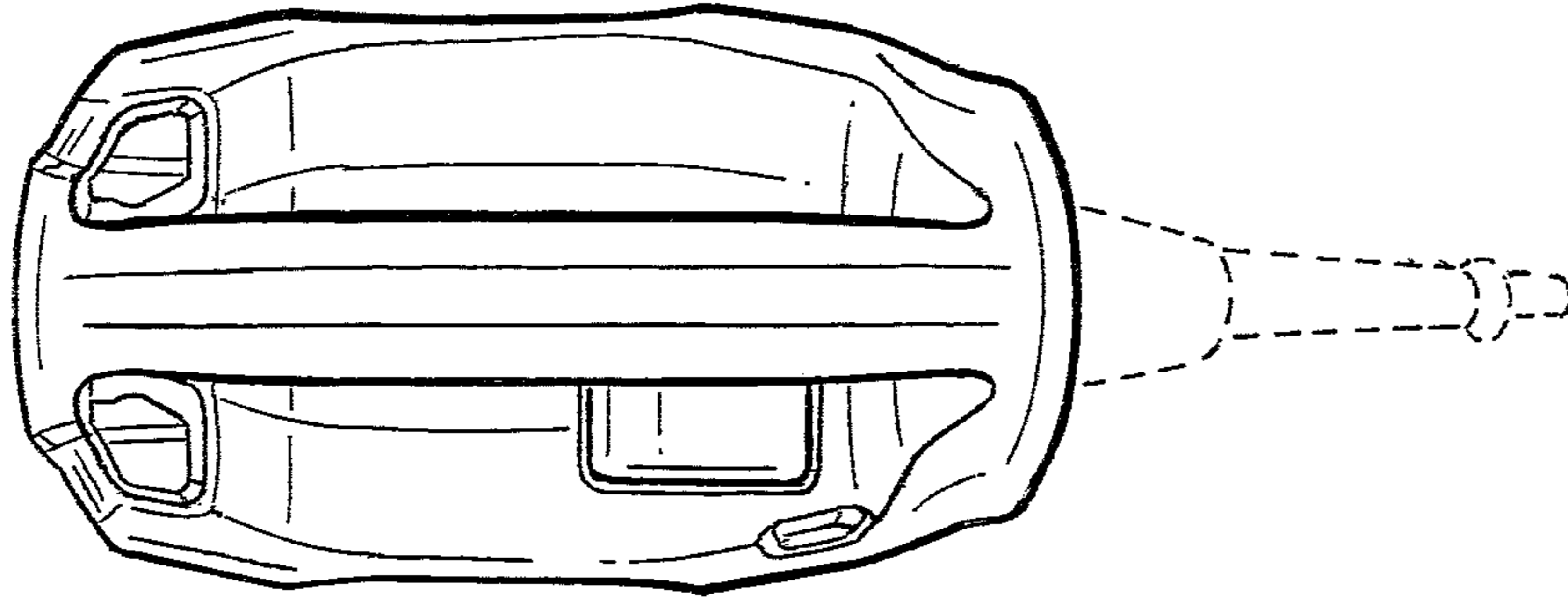


FIG. 8

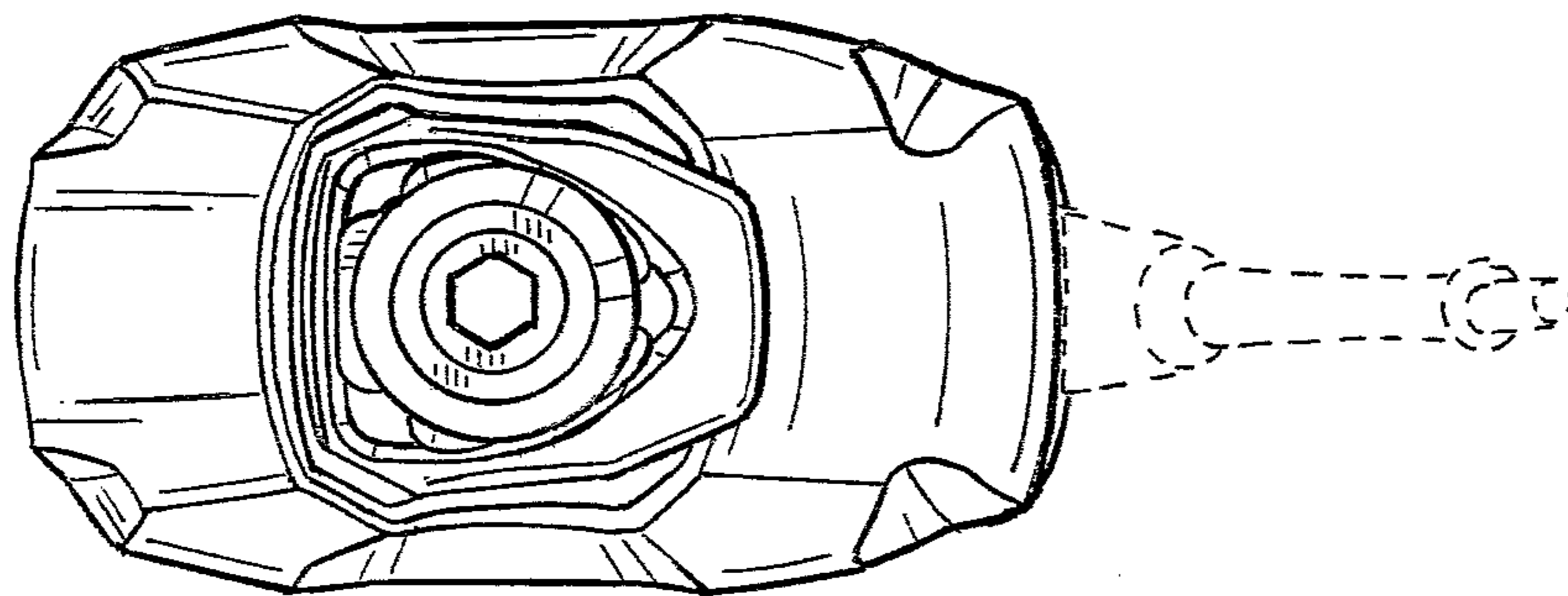


FIG. 7