



US00D743227S

(12) **United States Design Patent**  
**Walz et al.**

(10) **Patent No.:** **US D743,227 S**  
(45) **Date of Patent:** **\*\* Nov. 17, 2015**

- (54) **CORDLESS ROTARY HAMMER**
- (71) Applicant: **Hilti Aktiengesellschaft, Schaan (LI)**
- (72) Inventors: **Ruprecht Walz, Stuttgart (DE); Tobias Koeniger, Bregenz (AT); Alexander Toszegi, Leutenbach (DE); Ulrich Roessler, Auenwald (DE)**
- (73) Assignee: **Hilti Aktiengesellschaft, Schaan (LI)**
- (\*\*) Term: **14 Years**
- (21) Appl. No.: **29/464,554**
- (22) Filed: **Aug. 19, 2013**

**Related U.S. Application Data**

- (62) Division of application No. 29/404,818, filed on Oct. 26, 2011, now Pat. No. Des. 691,011.

**Foreign Application Priority Data**

- May 10, 2011 (WO) ..... DM/076 048
- (51) **LOC (10) Cl.** ..... **08-03**
- (52) **U.S. Cl.**  
USPC ..... **D8/69**
- (58) **Field of Classification Search**  
USPC ..... D8/14.1, 61-70; 81/429, 454-456, 469, 81/489; 173/104, 114, 168-171, 178, 201, 173/211, 213, 217; 408/20, 124, 125, 234; 388/809

See application file for complete search history.

(56) **References Cited**

U.S. PATENT DOCUMENTS

D491,438 S *	6/2004	Cheung et al. ....	D8/68
D525,849 S *	8/2006	Hayakawa et al. ....	D8/69
D555,451 S *	11/2007	Okuda et al. ....	D8/69
D575,606 S *	8/2008	Okouchi et al. ....	D8/69
D581,235 S *	11/2008	Aglassinger ....	D8/69
D587,547 S *	3/2009	Aglassinger ....	D8/69
D592,028 S *	5/2009	Taniguchi et al. ....	D8/69
D595,101 S *	6/2009	Bast ....	D8/68
D604,583 S *	11/2009	Yamamoto et al. ....	D8/69
D610,478 S *	2/2010	Bast ....	D10/69
D618,529 S *	6/2010	Stirm ....	D8/69
D663,183 S *	7/2012	Sell ....	D8/69
2009/0301746 A1 *	12/2009	Robieu ....	173/217

\* cited by examiner

*Primary Examiner* — Philip S Hyder

*Assistant Examiner* — Darlington Ly

(74) *Attorney, Agent, or Firm* — Crowell & Moring LLP

(57) **CLAIM**

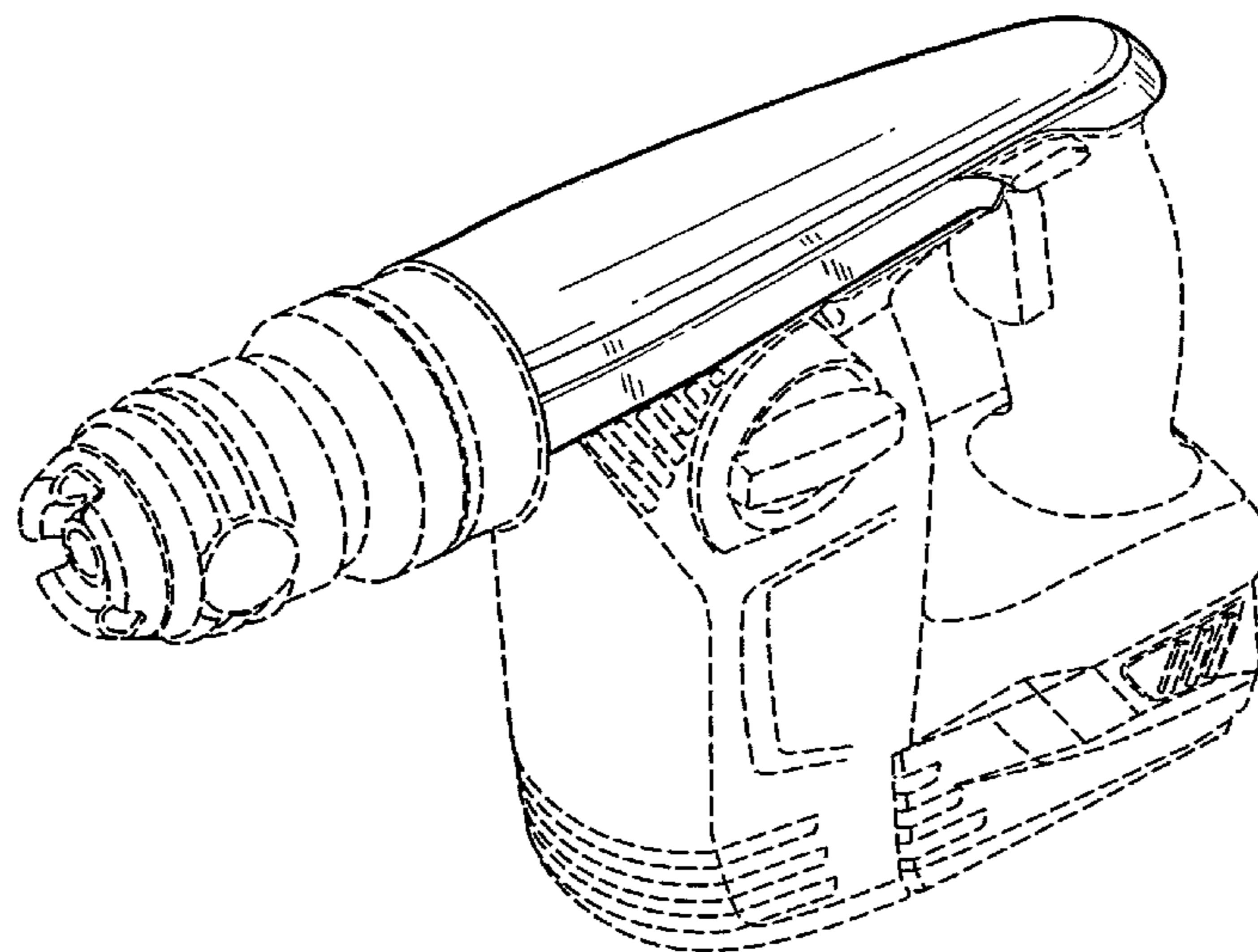
The ornamental design for a cordless rotary hammer, as shown and described.

**DESCRIPTION**

FIG. 1 is a left, top, front perspective view of a cordless rotary hammer according to the design;  
 FIG. 2 is a right, bottom, rear perspective view thereof;  
 FIG. 3 is a right side view thereof;  
 FIG. 4 is a left side view thereof;  
 FIG. 5 is a front view thereof;  
 FIG. 6 is a rear view thereof; and,  
 FIG. 7 is a top view thereof.

The broken lines illustrate portions of the cordless rotary hammer that form no part of the claimed design.

**1 Claim, 7 Drawing Sheets**



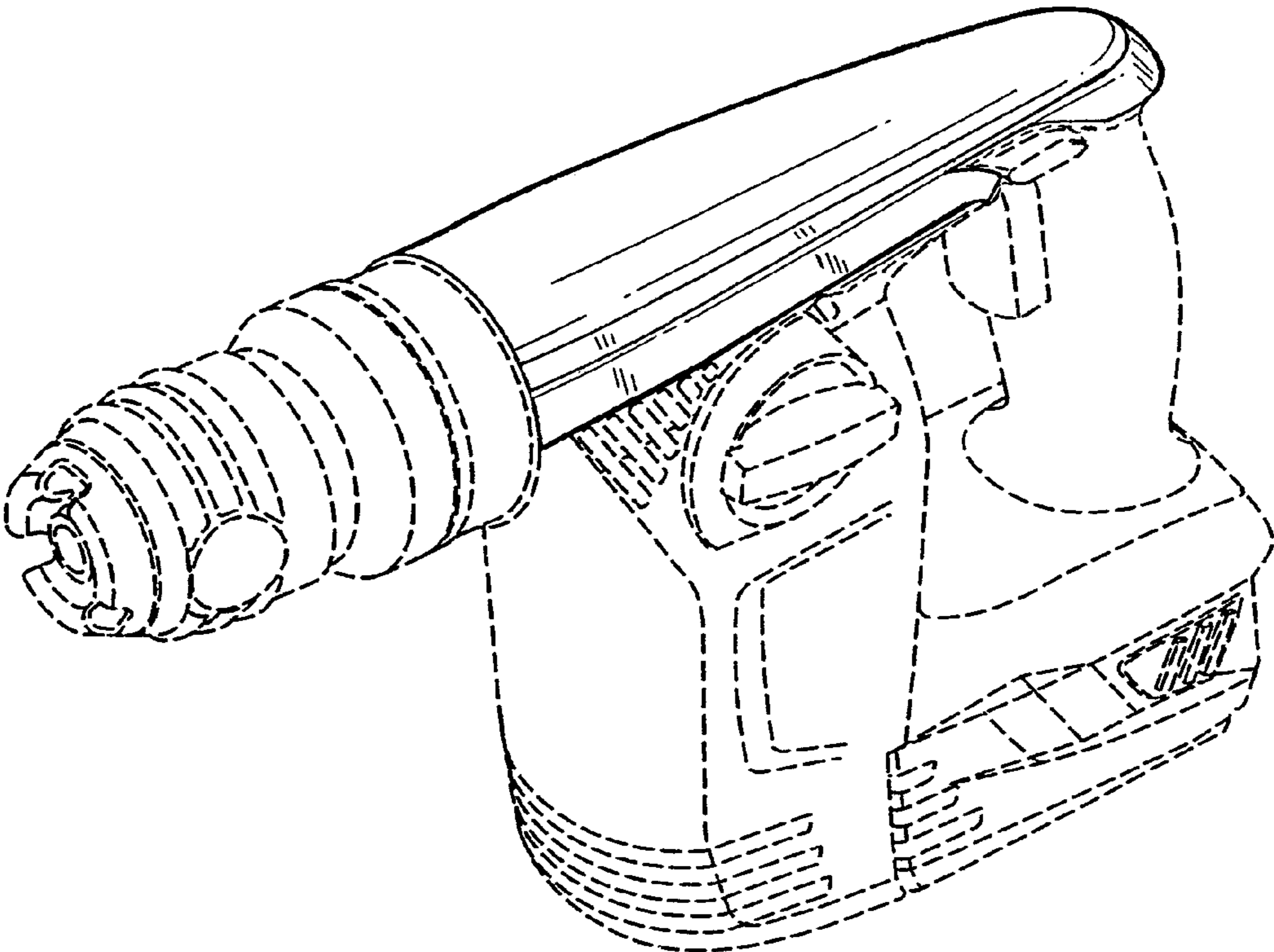


FIG. 1

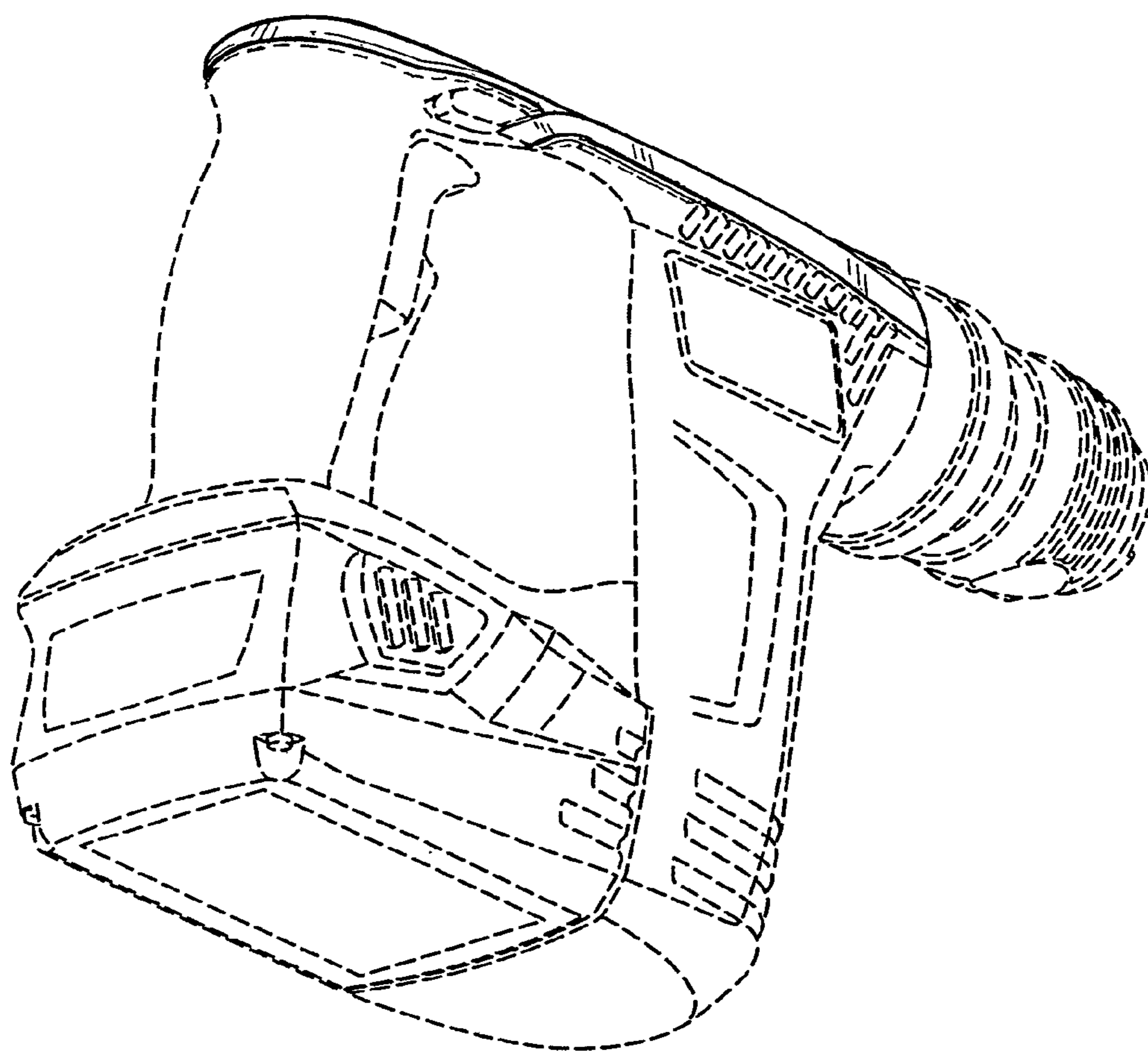


FIG. 2

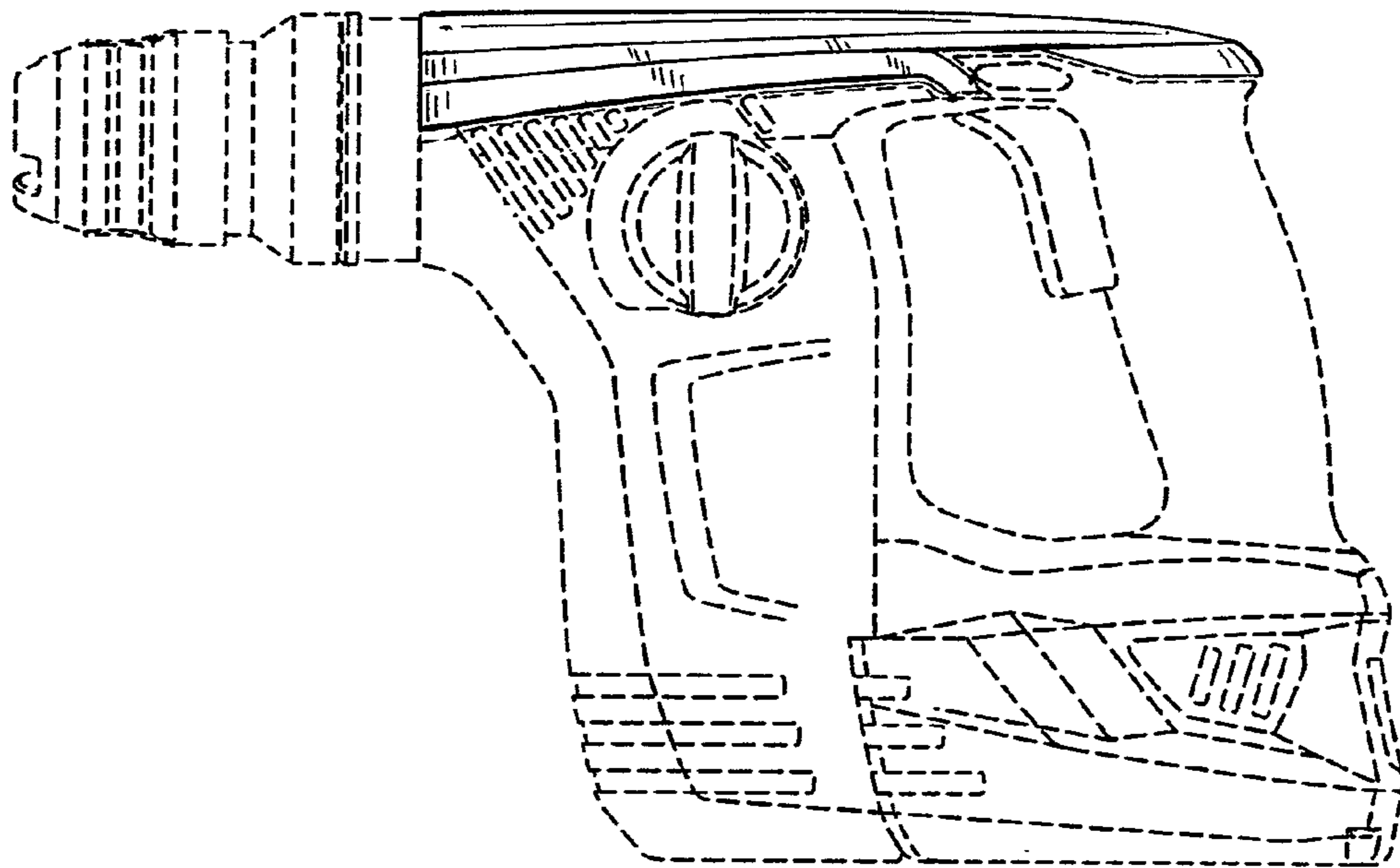


FIG. 3

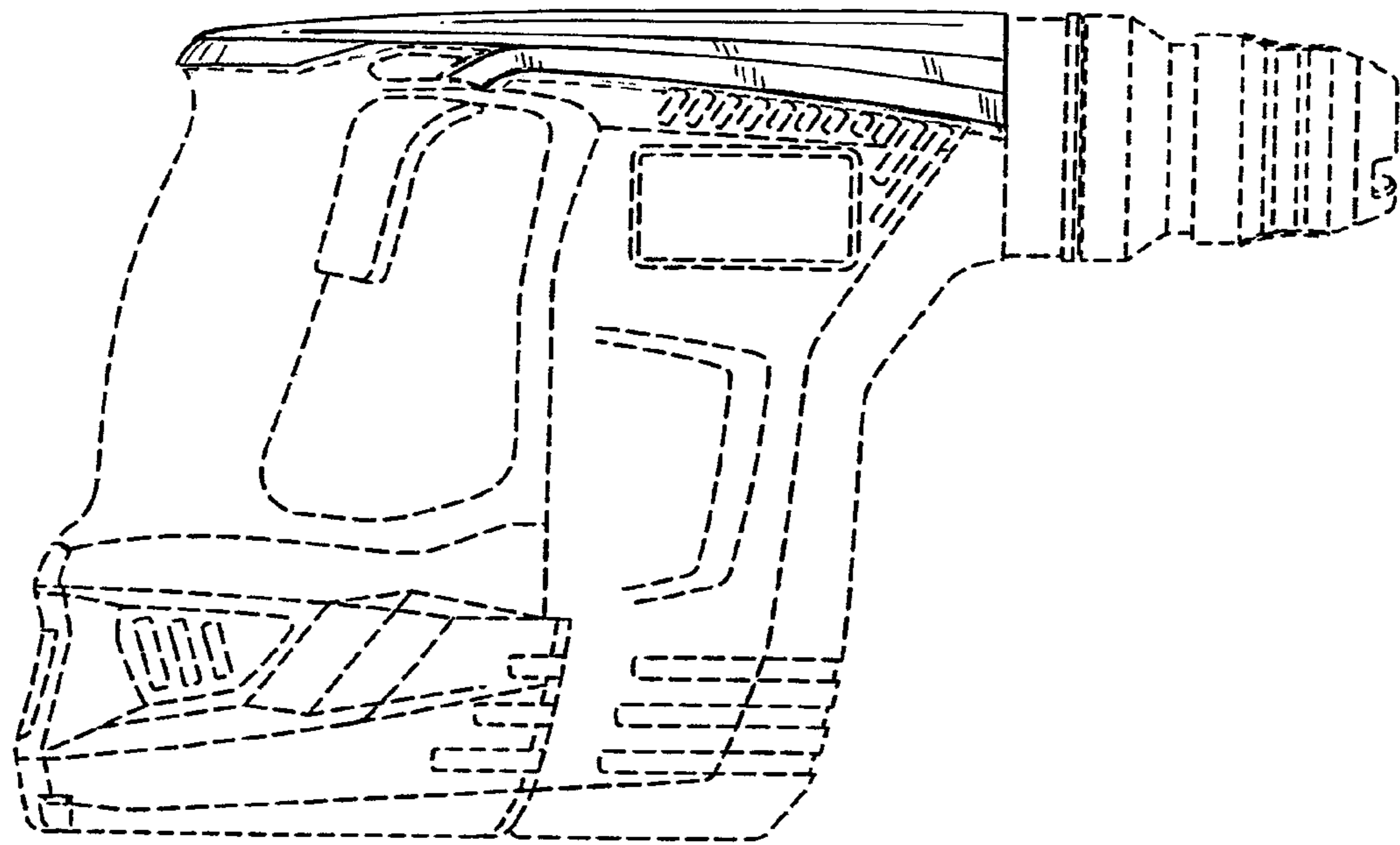


FIG. 4

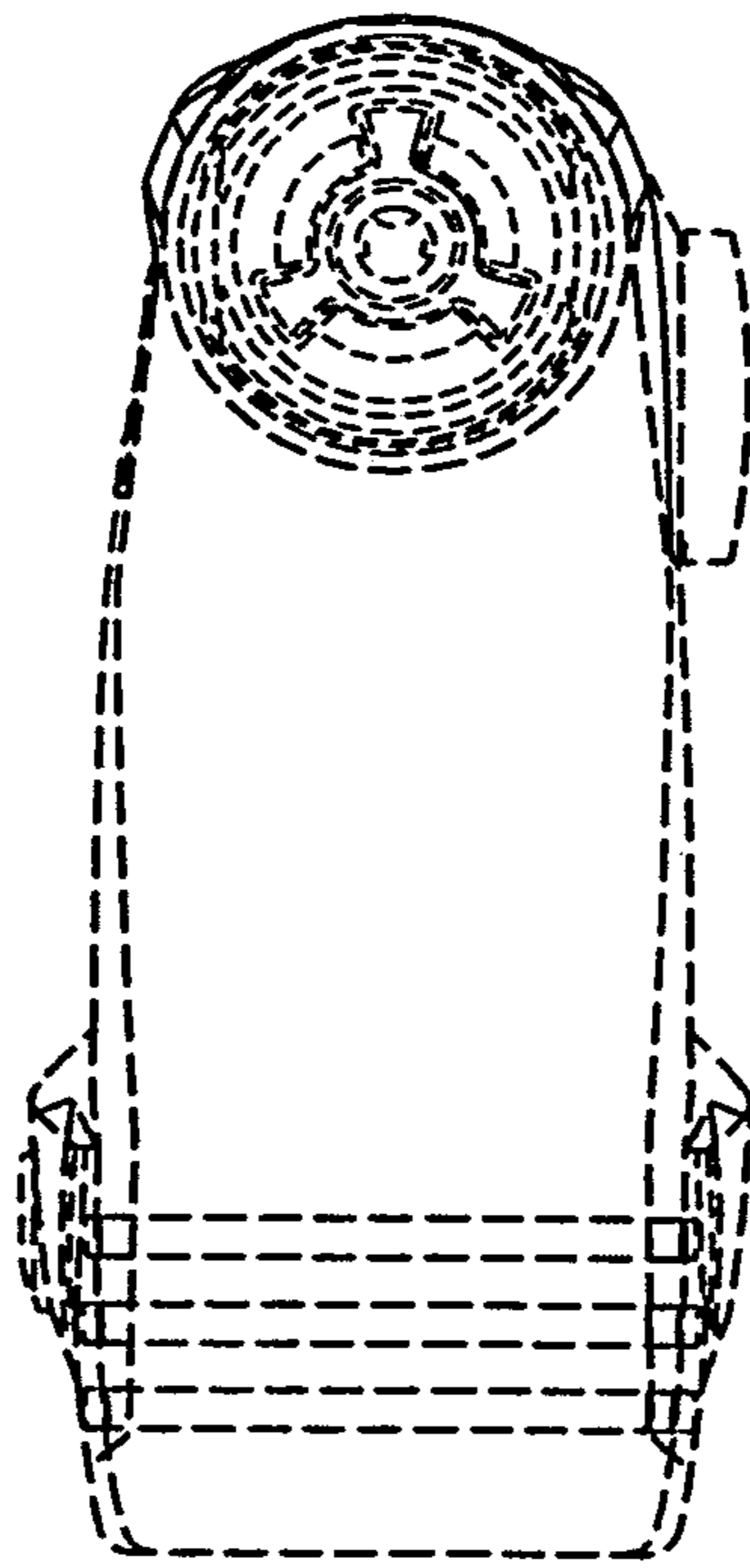


FIG. 5

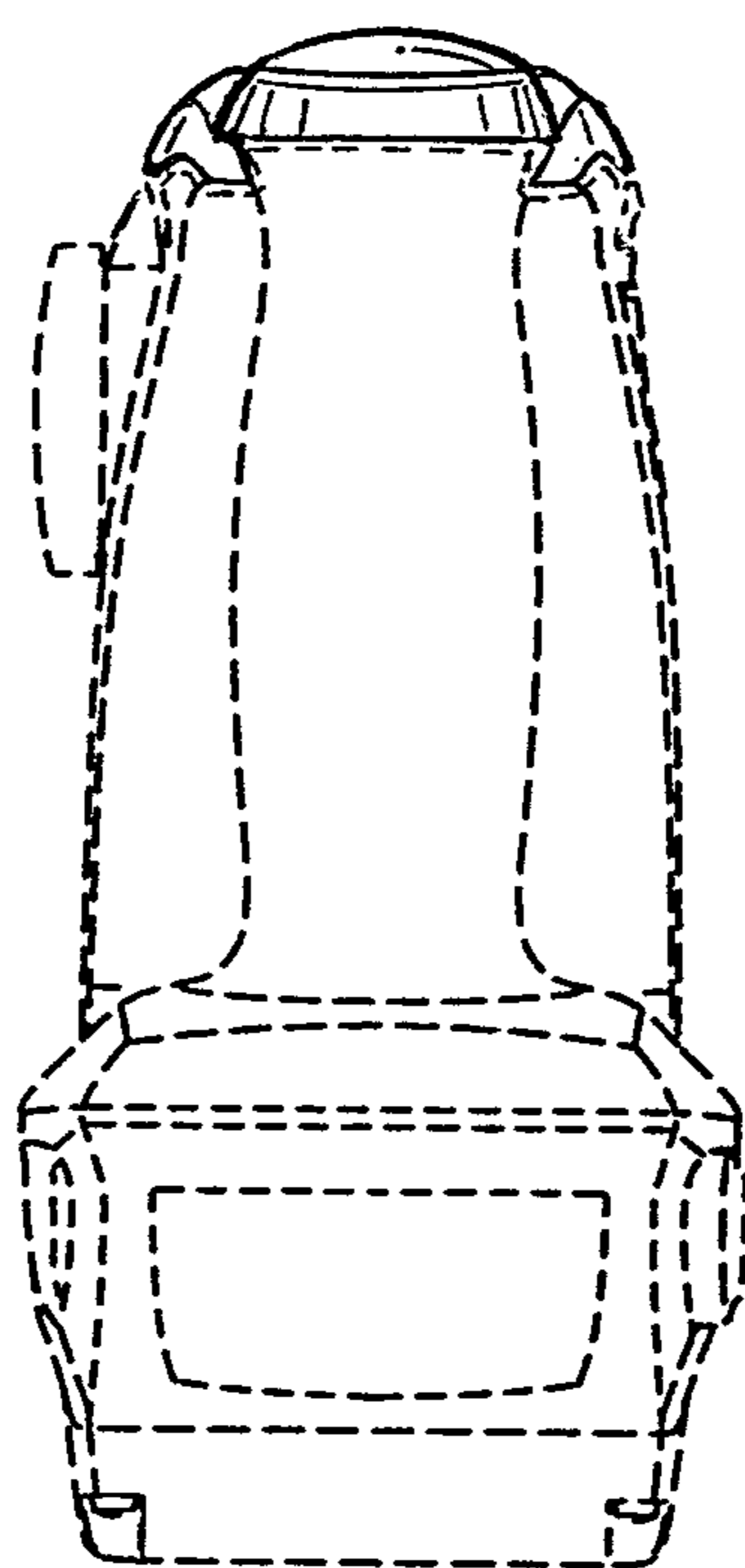


FIG. 6

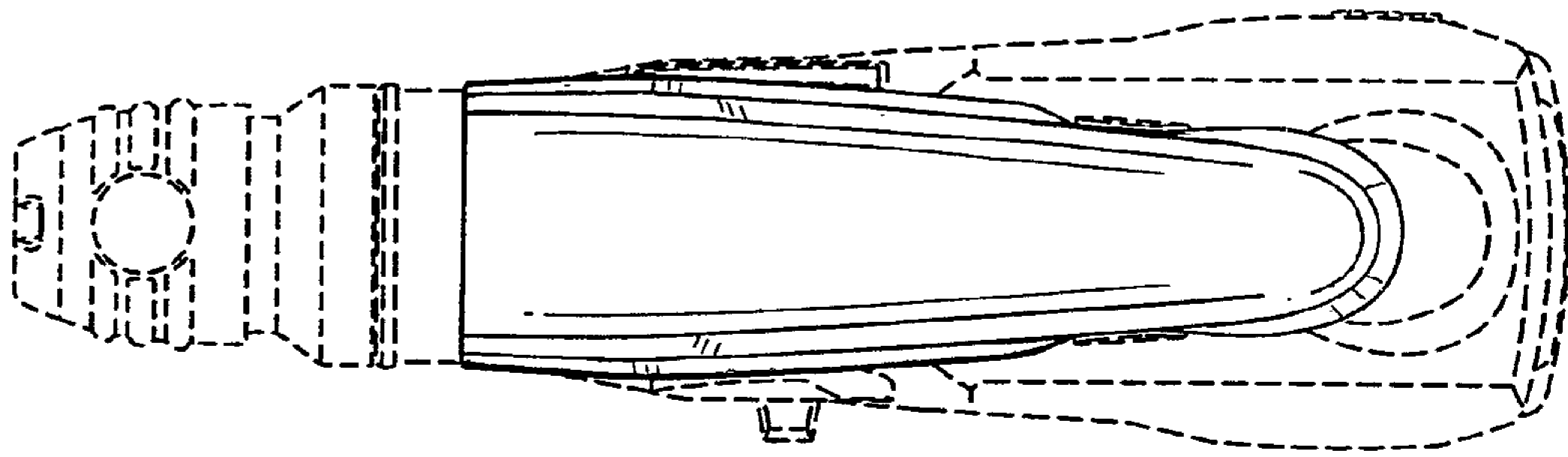


FIG. 7