



US00D743226S

(12) **United States Design Patent**
Aoki et al.

(10) **Patent No.:** **US D743,226 S**

(45) **Date of Patent:** **** Nov. 17, 2015**

(54) **PORTABLE CUTTER**

(71) Applicant: **Hitachi Koki Co., Ltd.**, Minato-Ku,
Tokyo (JP)

(72) Inventors: **Yoshiki Aoki**, Hitachinaka (JP);
Hiroyuki Hasegawa, Hitachinaka (JP);
Tatsuya Hagawa, Hitachinaka (JP)

(73) Assignee: **Hitachi Koki Co., Ltd.**, Minato-Ku,
Tokyo (JP)

(**) Term: **14 Years**

(21) Appl. No.: **29/496,119**

(22) Filed: **Jul. 9, 2014**

(30) **Foreign Application Priority Data**

Jan. 9, 2014 (JP) 2014-000215

(51) **LOC (10) Cl.** **08-03**

(52) **U.S. Cl.**
USPC **D8/66**

(58) **Field of Classification Search**
USPC D8/69, 68, 67, 66, 64, 61, 70;
83/698.41, 747, 166.3, 374, 373, 375,
83/376, 391, 377, 390, 388, 389; 30/122,
30/124, 329; 144/218; D21/532
CPC B23D 47/12; F16H 7/14; F16H 2007/0806
See application file for complete search history.

(56) **References Cited**

U.S. PATENT DOCUMENTS

5,540,210 A * 7/1996 Jones 125/13.01
5,826,478 A * 10/1998 Zerrer 83/169
5,855,067 A * 1/1999 Taomo et al. 30/122

6,374,501 B1 * 4/2002 Claesson 30/389
6,591,826 B1 * 7/2003 Donnerdal 125/13.01
6,916,236 B2 * 7/2005 Terpstra 451/358
7,101,295 B2 * 9/2006 Taomo et al. 474/117
7,131,897 B2 * 11/2006 Crover 451/311
7,137,877 B2 * 11/2006 Uhl et al. 451/358
D533,039 S * 12/2006 Arvidsson et al. D8/66
D533,757 S * 12/2006 Arvidsson et al. D8/66
D561,551 S * 2/2008 Tinius D8/66
D579,742 S * 11/2008 Arvidsson et al. D8/66
D596,912 S * 7/2009 Arvidsson et al. D8/66
D609,070 S * 2/2010 Tinius D8/62
D640,110 S * 6/2011 Tinius D8/65
D644,081 S * 8/2011 Rettenweber D8/66
D648,998 S * 11/2011 Sell D8/66
D663,600 S * 7/2012 Okuda et al. D8/66
2001/0003983 A1 * 6/2001 Iida et al. 125/13.01

* cited by examiner

Primary Examiner — Austin Murphy

(74) *Attorney, Agent, or Firm* — Banner & Witcoff, Ltd.

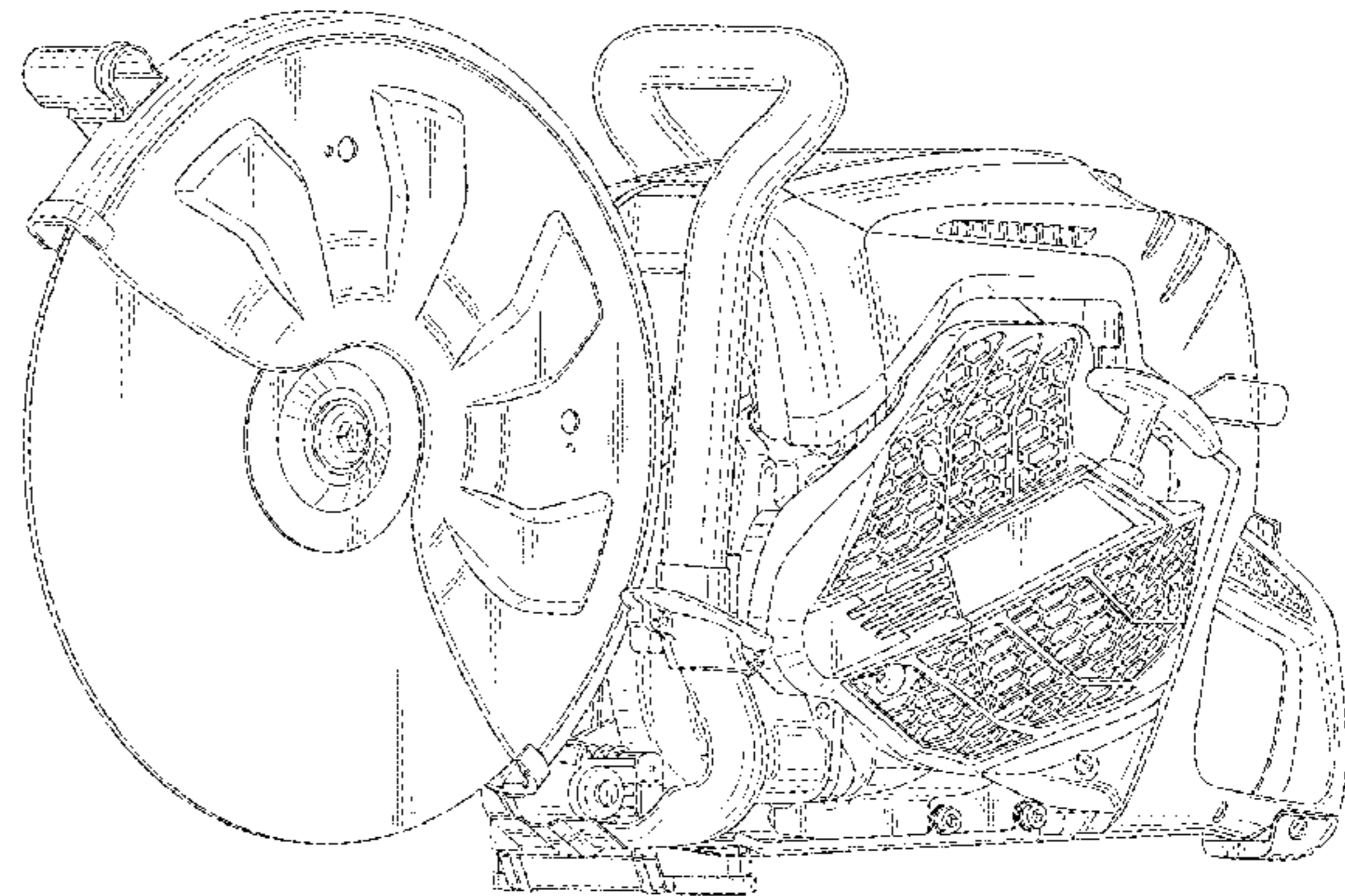
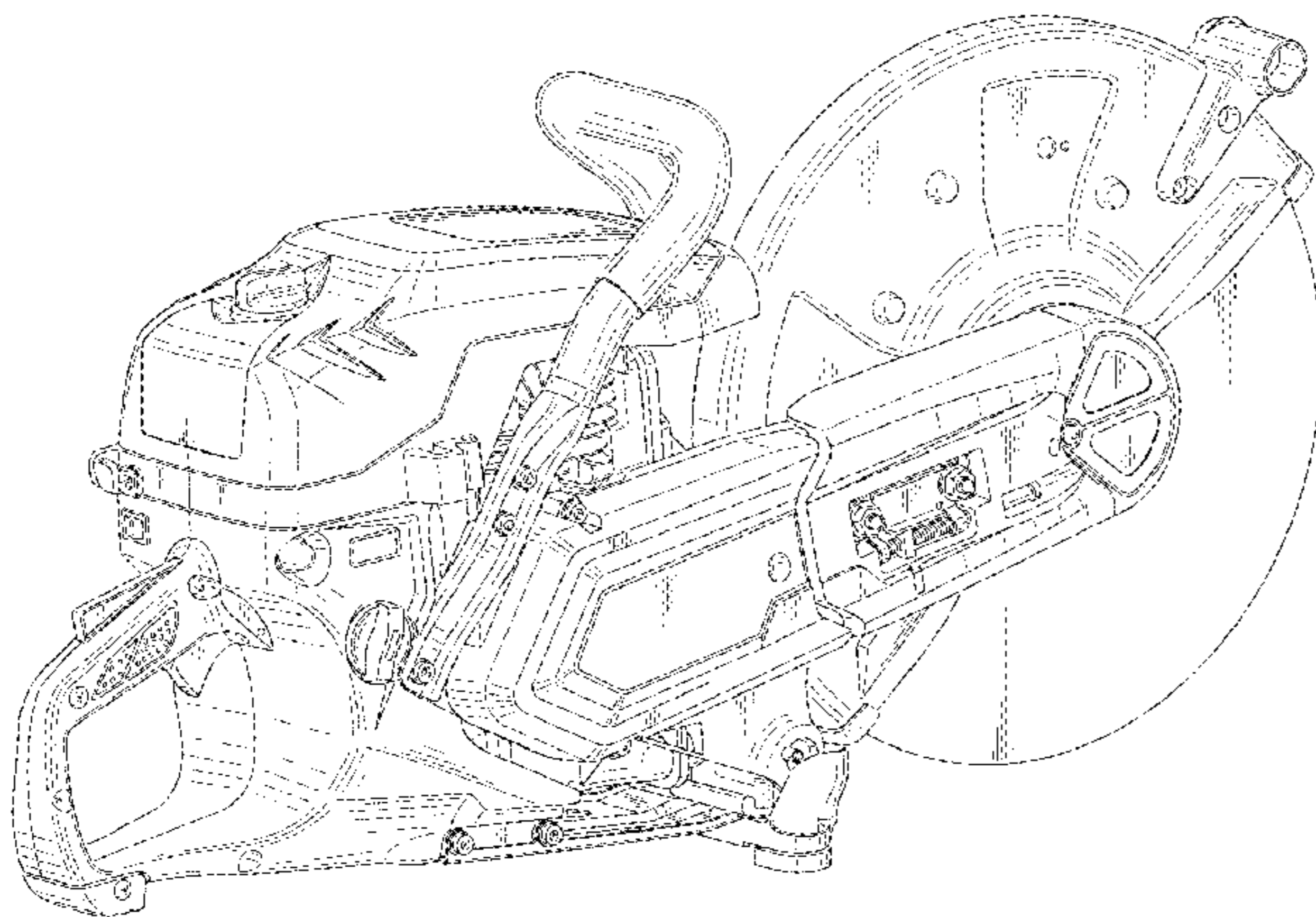
(57) **CLAIM**

The ornamental design for a portable cutter, as shown and described.

DESCRIPTION

FIG. 1 is a front perspective view of a portable cutter showing our new design;
FIG. 2 is a rear perspective view thereof;
FIG. 3 is a front view thereof;
FIG. 4 is a rear view thereof;
FIG. 5 is a left side view thereof;
FIG. 6 is a right side view thereof;
FIG. 7 is a top plan view thereof; and,
FIG. 8 is a bottom view thereof.
The broken lines represent the portions of the design that form no part of the claim.

1 Claim, 7 Drawing Sheets



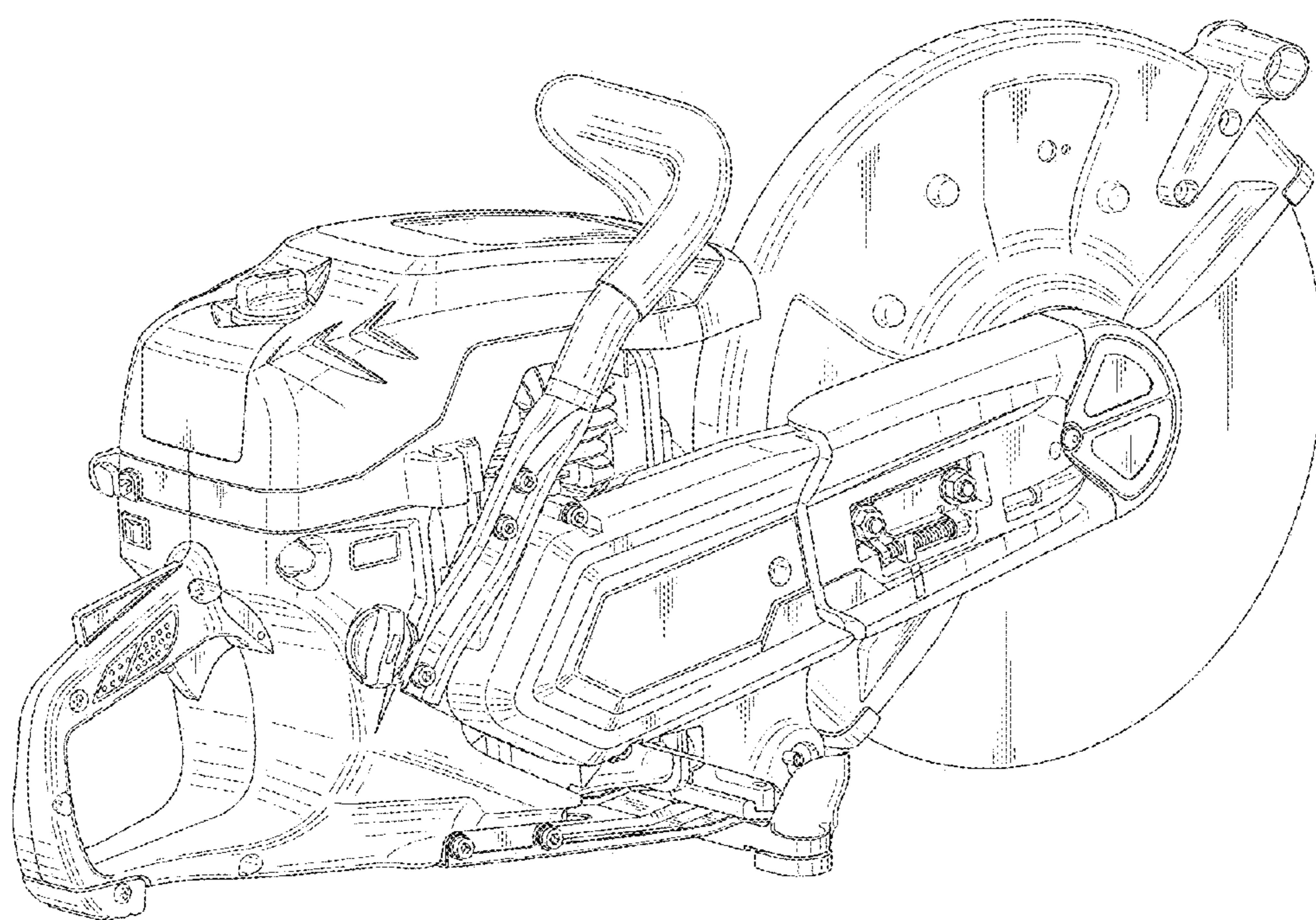


FIG. 1

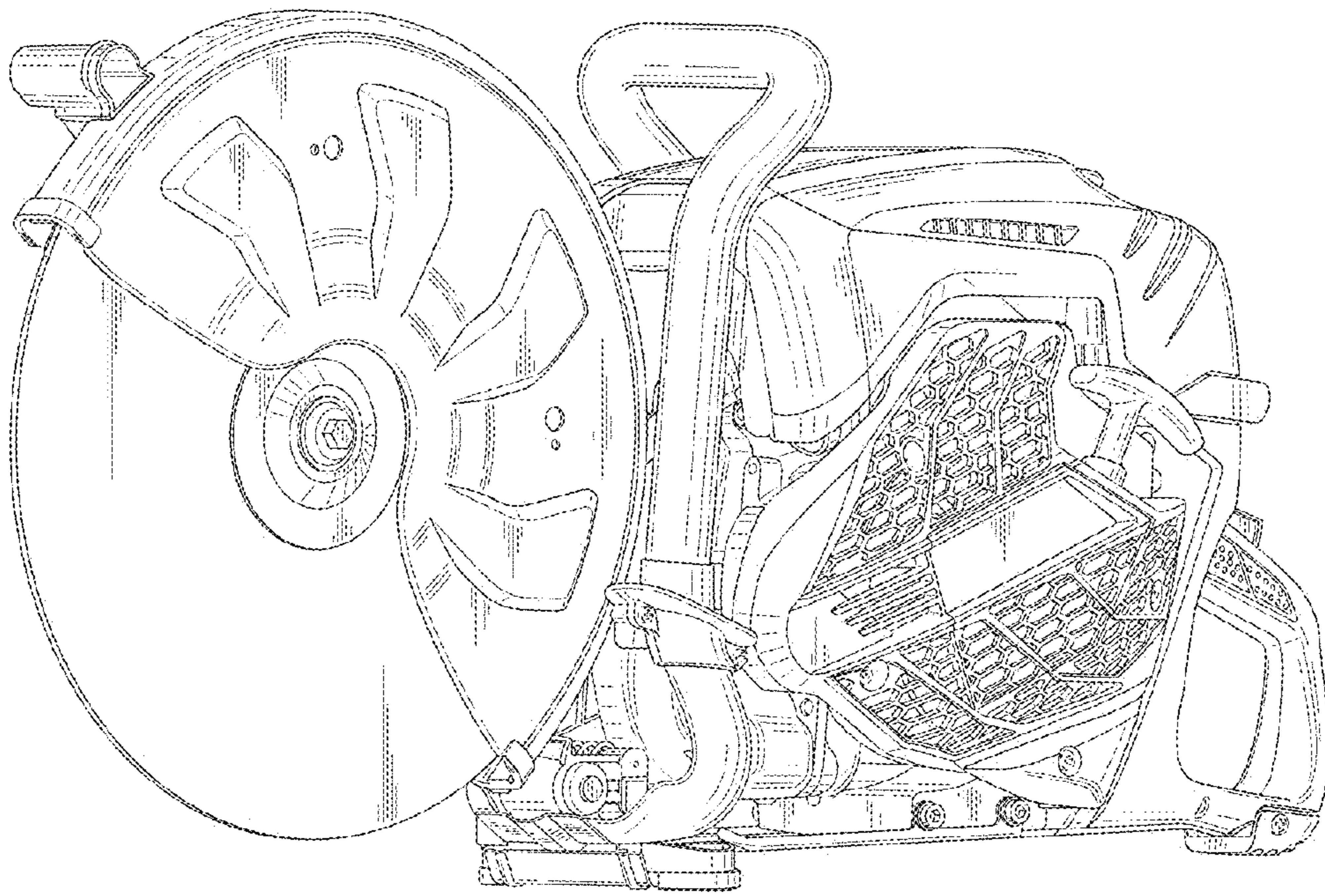


FIG. 2

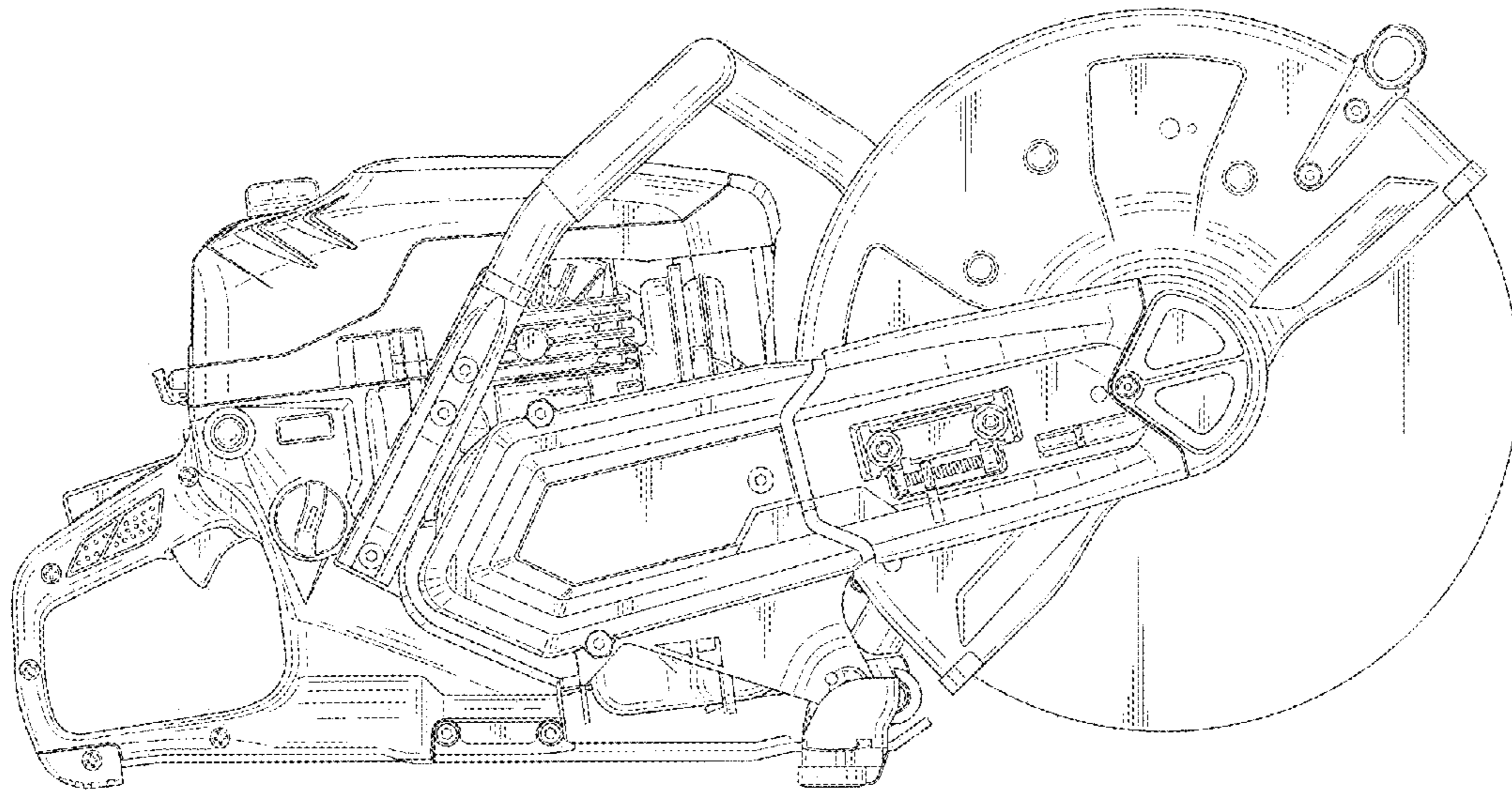


FIG. 3

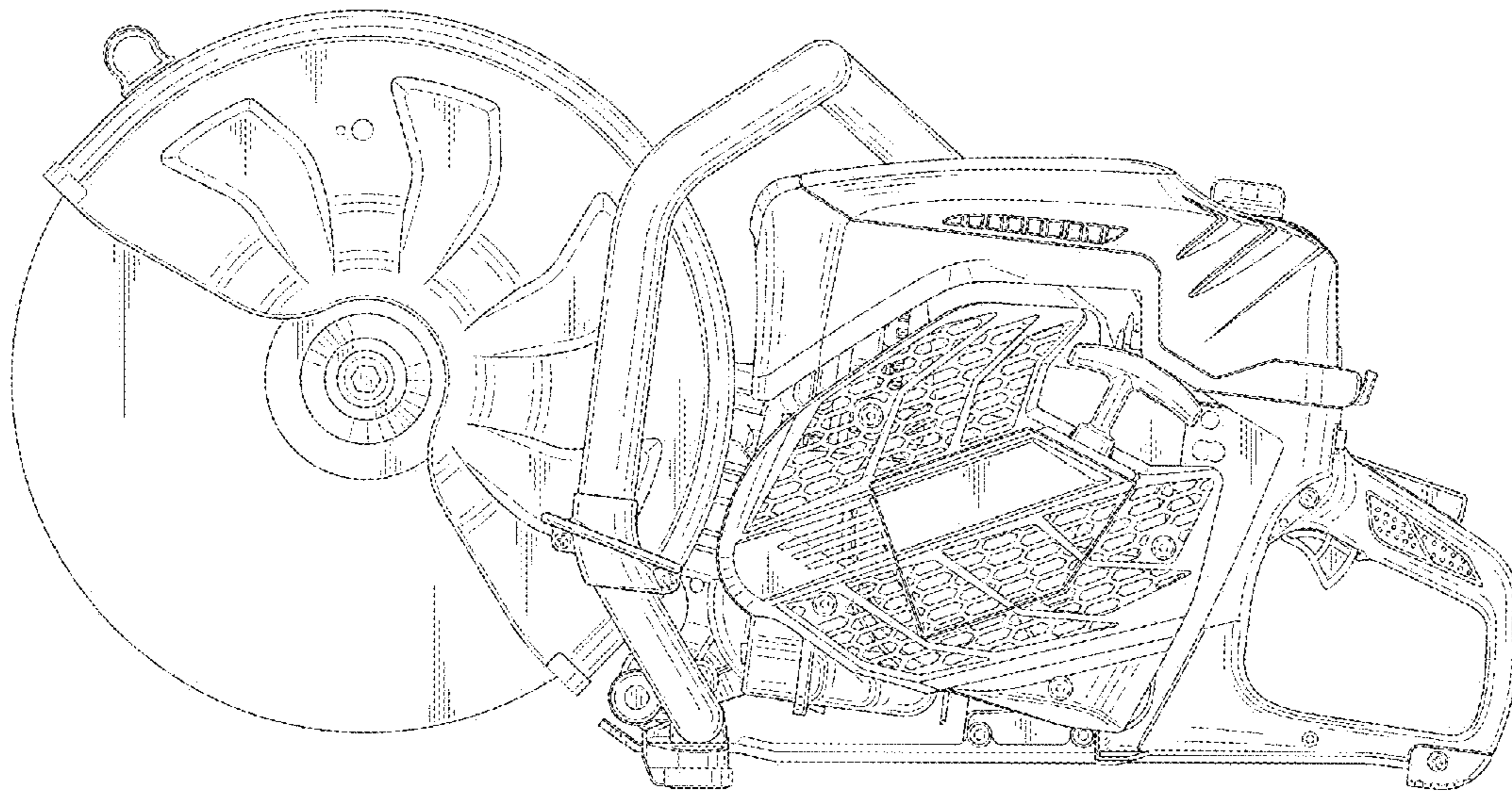


FIG. 4

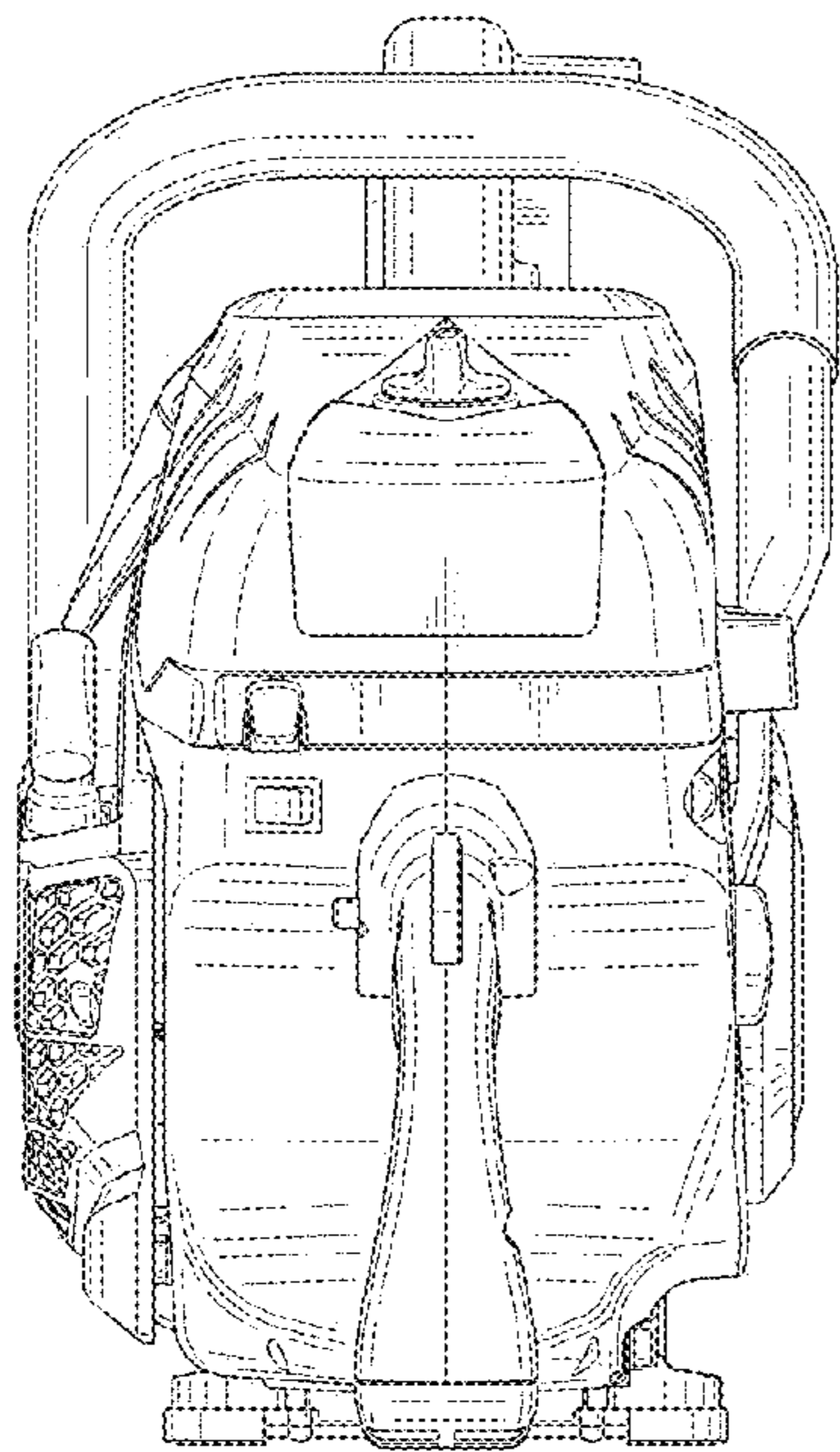


FIG. 5

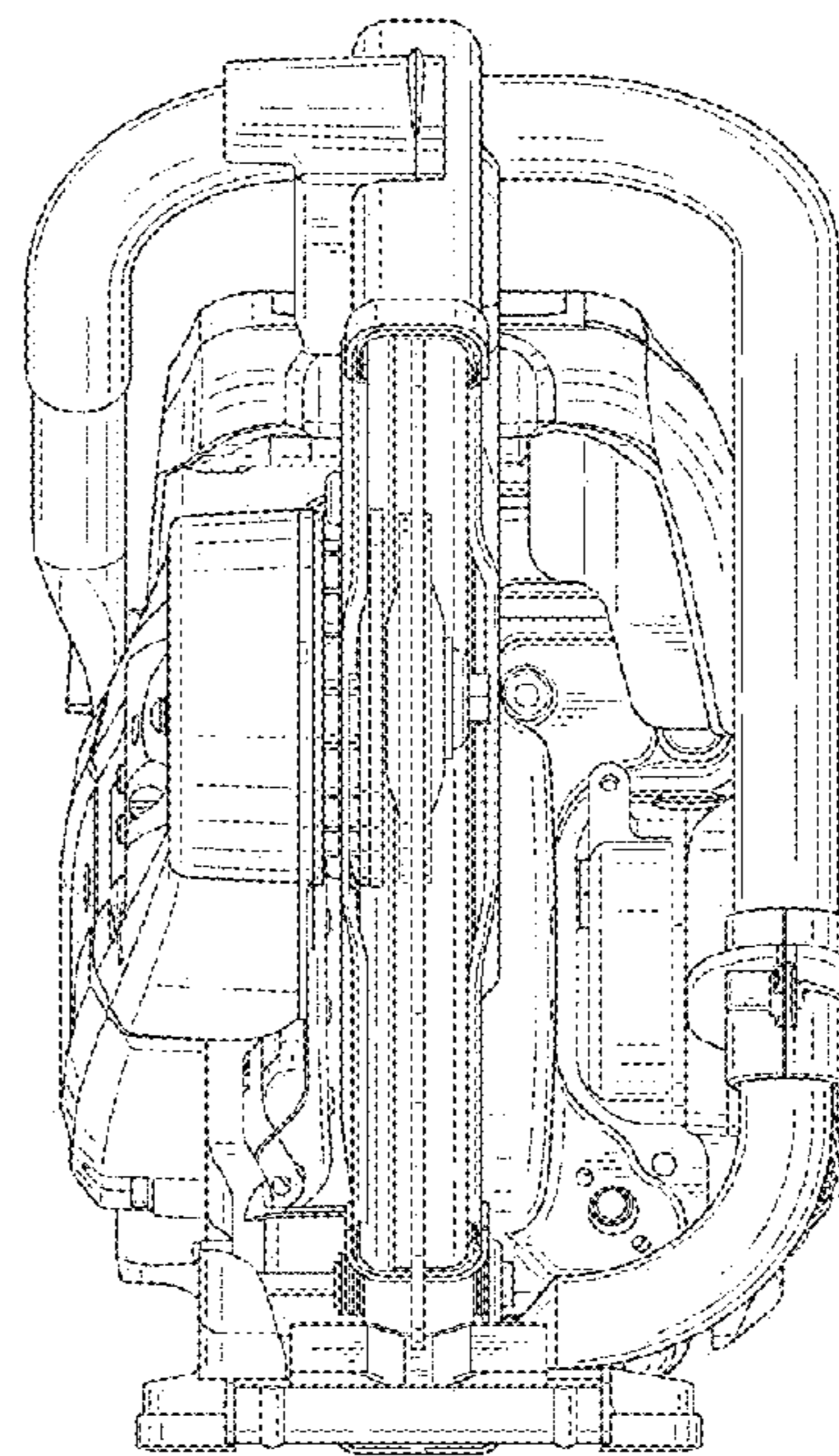


FIG. 6

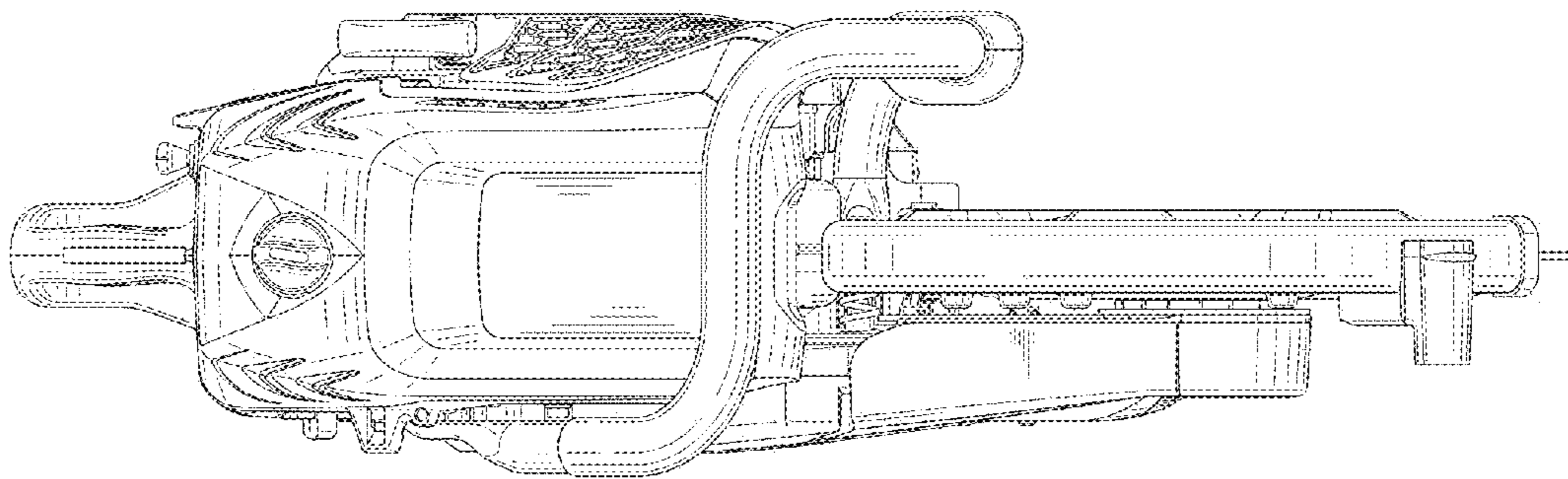


FIG. 7

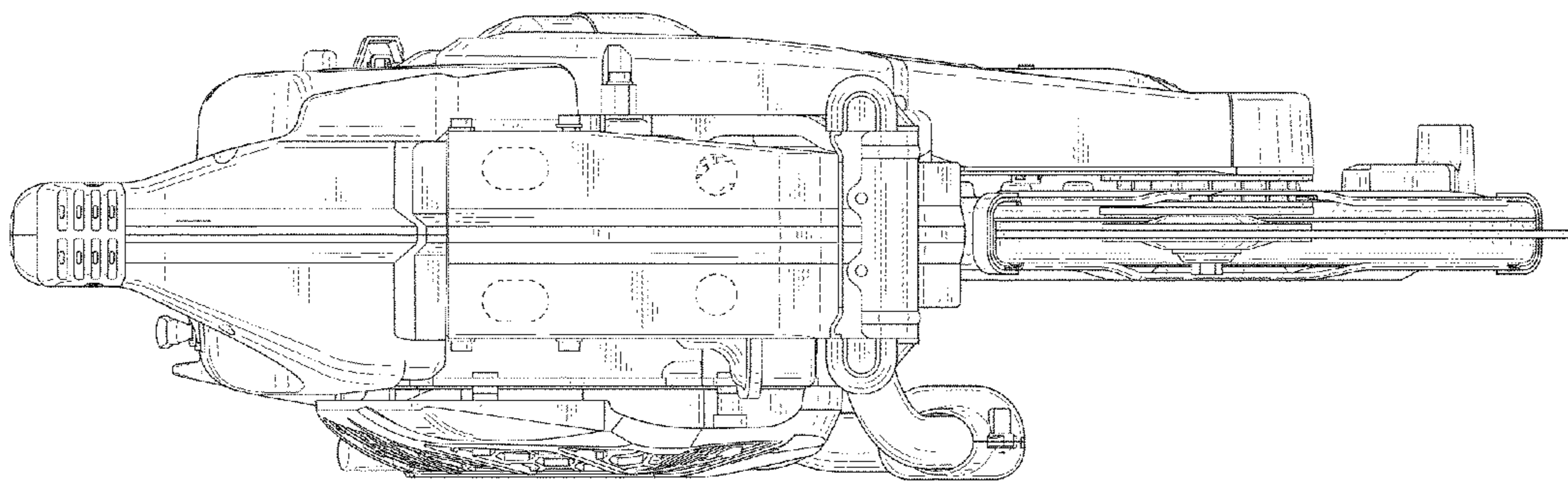


FIG. 8