



US00D743224S

(12) **United States Design Patent**
Yashcur

(10) **Patent No.:** **US D743,224 S**

(45) **Date of Patent:** **** Nov. 17, 2015**

(54) **CORDLESS RATCHET**

(75) Inventor: **Jefferey Clifford Yashcur**, Doylestown,
PA (US)

(73) Assignee: **Ingersoll-Rand Company**, Piscataway,
NJ (US)

(**) Term: **14 Years**

(21) Appl. No.: **29/431,310**

(22) Filed: **Sep. 6, 2012**

(51) **LOC (10) Cl.** **08-01**

(52) **U.S. Cl.**
USPC **D8/61**

(58) **Field of Classification Search**

USPC D8/68, 7, 70, 61, 60, 85, 21, 25, 24, 29,
D8/36, 40; 30/92, 371; 74/50, 49; 173/217,
173/216, 176, 181, 2; 446/145; D21/532
CPC B25B 21/004; B25B 15/04; B25B 28/00
See application file for complete search history.

(56) **References Cited**

U.S. PATENT DOCUMENTS

D214,776 S * 7/1969 Schaedler D8/61
D278,407 S * 4/1985 Fleischer, Jr. D8/61
D519,799 S * 5/2006 Izumisawa D8/25
D525,502 S * 7/2006 Chen D8/61
D530,171 S * 10/2006 Baker D8/61
D554,460 S * 11/2007 Enriquez D8/61

D586,195 S * 2/2009 Okuda D8/61
D624,380 S * 9/2010 Rane et al. D8/61
D701,441 S * 3/2014 Yaschur D8/61
D702,522 S * 4/2014 Steinfels et al. D8/70
2005/0211026 A1* 9/2005 Cheng 81/57.39
2006/0289184 A1* 12/2006 Cheng 173/168
2009/0272556 A1* 11/2009 Young et al. 173/216

* cited by examiner

Primary Examiner — Robert M Spear

Assistant Examiner — Kendra L Hamilton

(74) *Attorney, Agent, or Firm* — Taft Stettinius & Hollister
LLP

(57) **CLAIM**

The ornamental design for a cordless ratchet, as shown and
described.

DESCRIPTION

FIG. 1 is an enlarged back view of the cordless ratchet of the
present invention.

FIG. 2 is a right side view of the cordless ratchet of FIG. 1.

FIG. 3 is a top view of the cordless ratchet of FIG. 1.

FIG. 4 is a left side view of the cordless ratchet of FIG. 1.

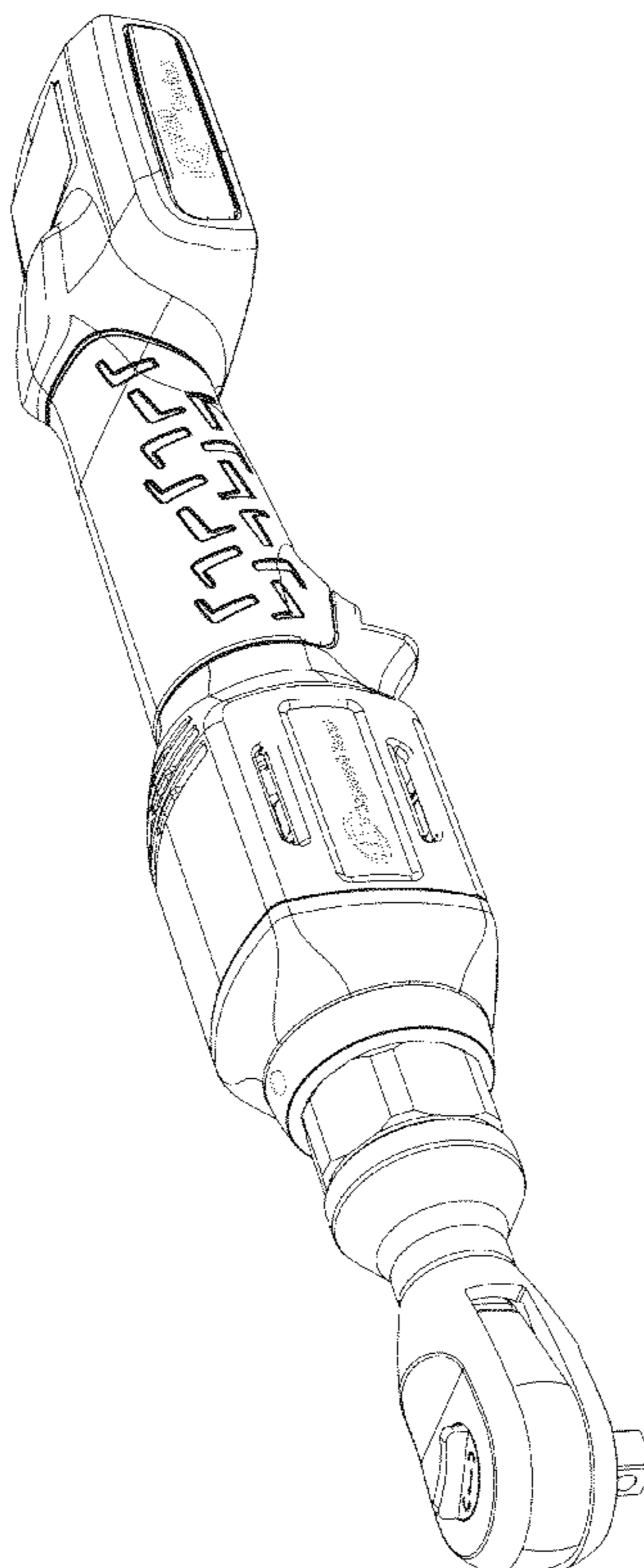
FIG. 5 is a bottom view of the cordless ratchet of FIG. 1.

FIG. 6 is an enlarged front view of the cordless ratchet of FIG.
1; and,

FIG. 7 is top right-side perspective view of the cordless
ratchet of FIG. 1.

The broken lines illustrate portions of the cordless ratchet
which form no part of the claimed design.

1 Claim, 7 Drawing Sheets



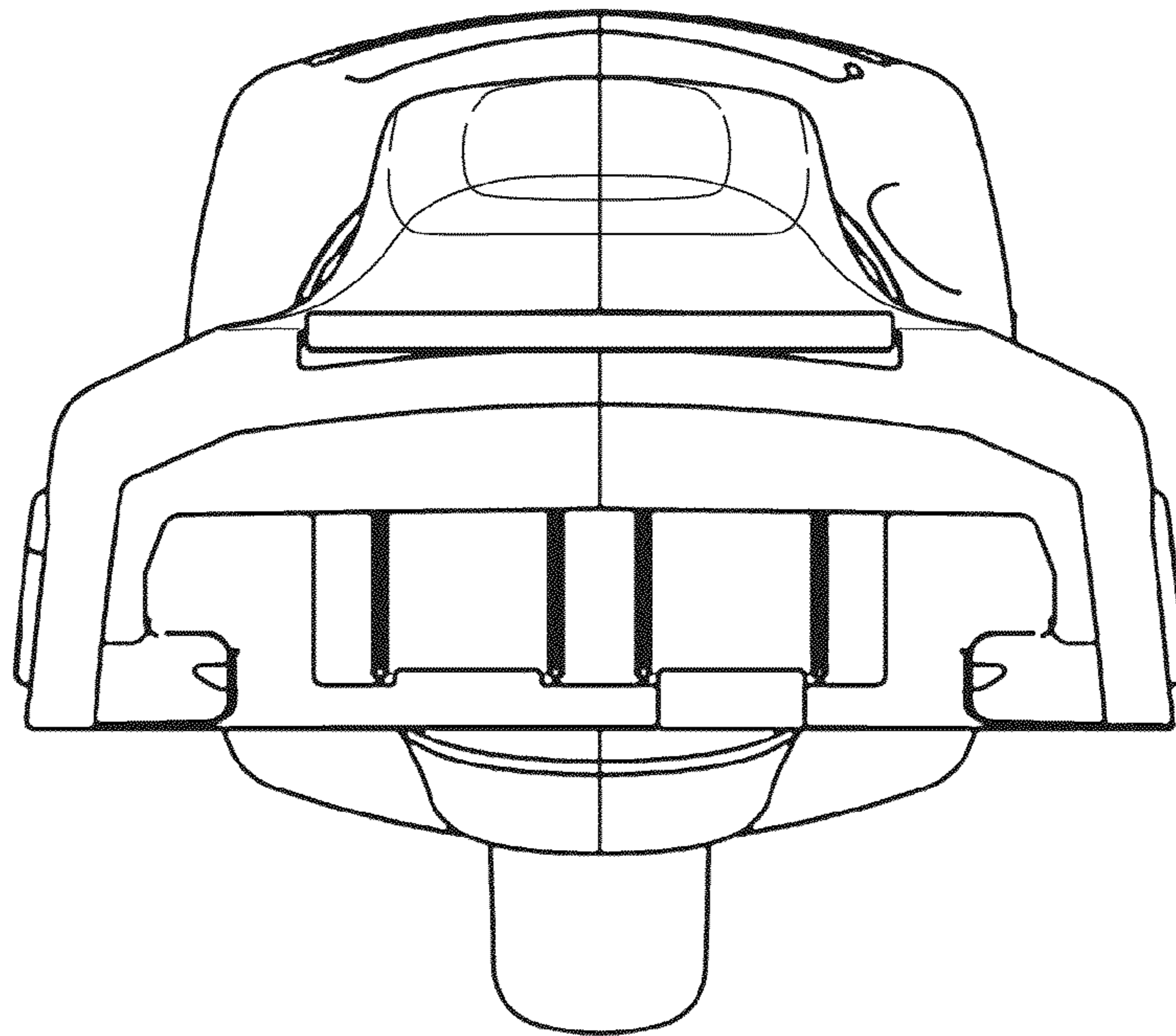


FIG. 1

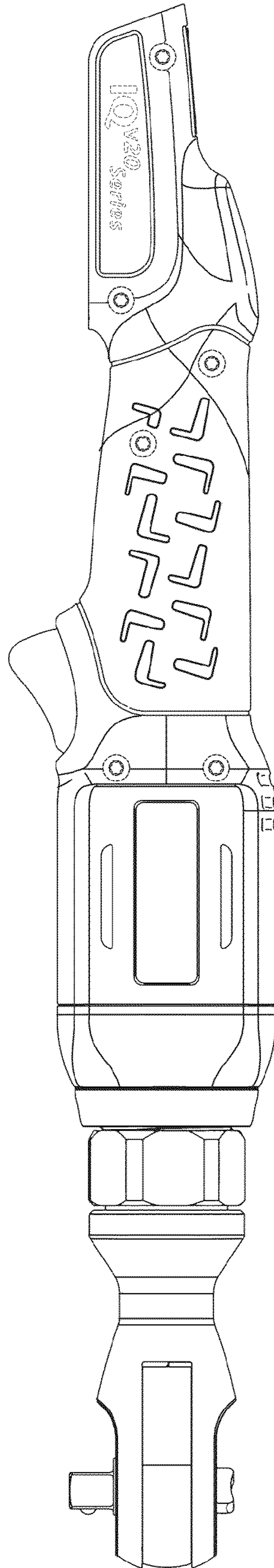


FIG. 2

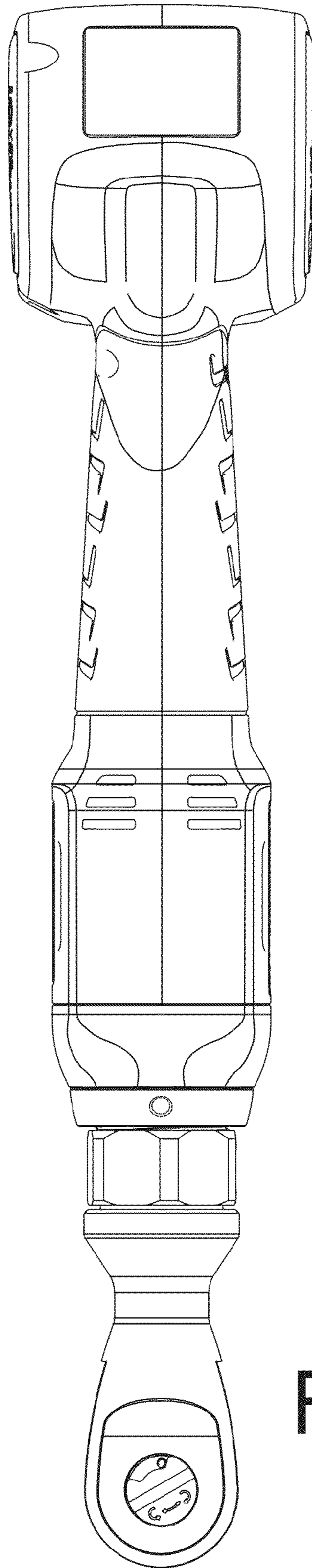


FIG. 3

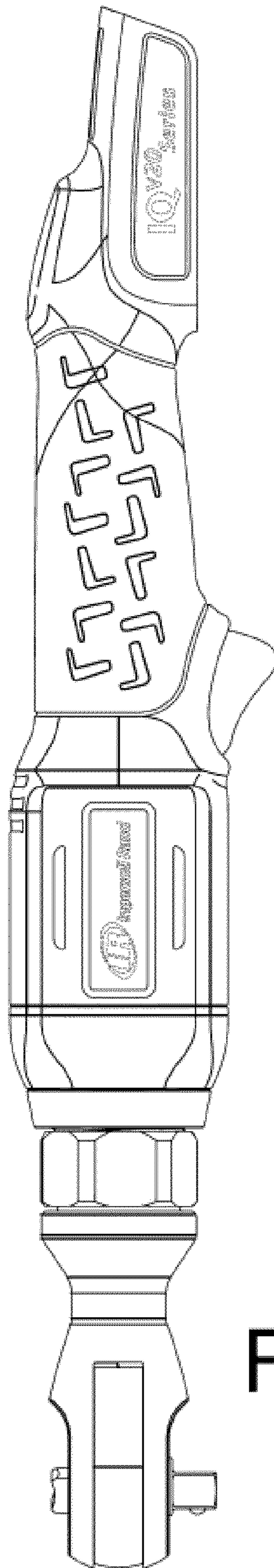


FIG. 4

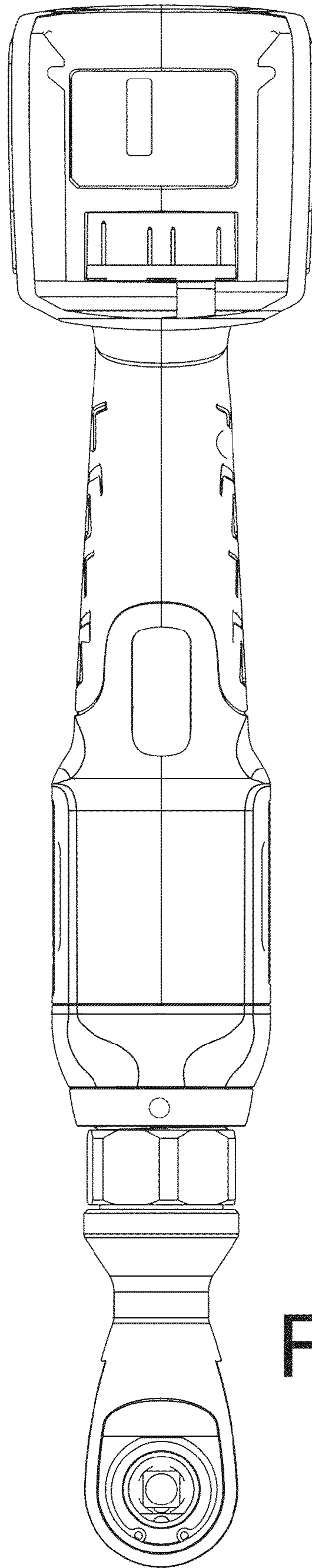


FIG. 5

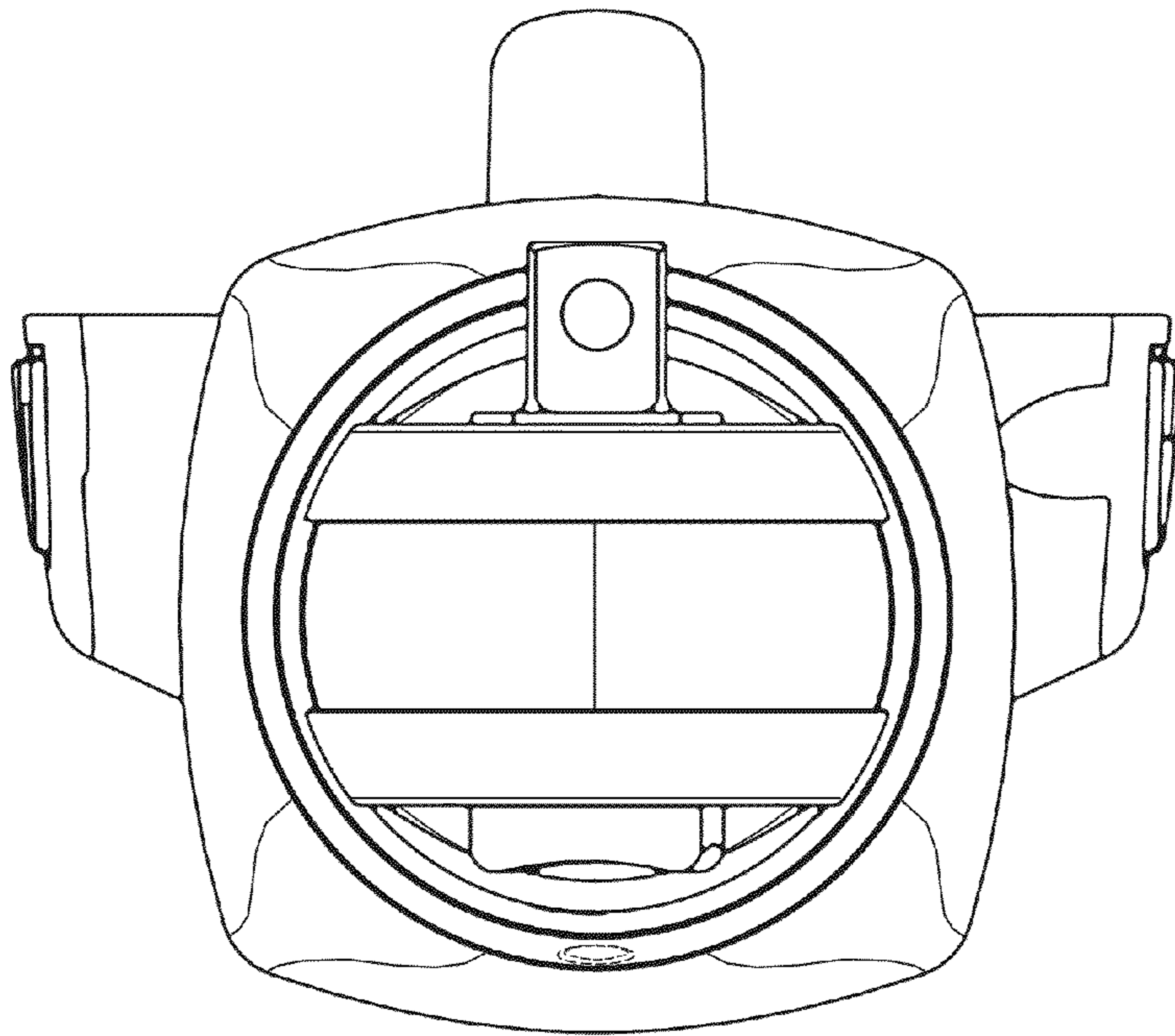


FIG. 6

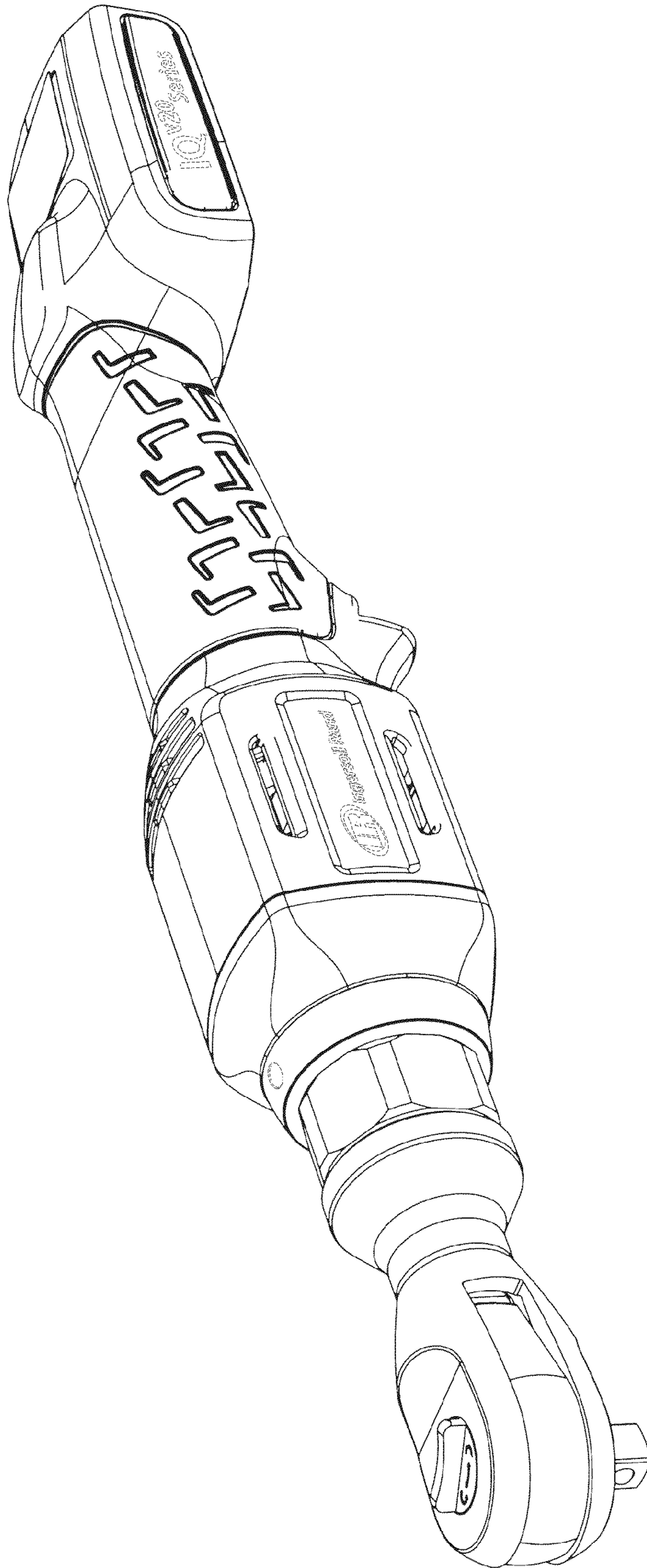


FIG. 7