



US00D743222S

(12) **United States Design Patent**  
**Smith**

(10) **Patent No.:** **US D743,222 S**

(45) **Date of Patent:** **\*\* Nov. 17, 2015**

(54) **SHUTOFF VALVE REMOVER TOOL**

*Primary Examiner* — Phillip S Hyder

(71) Applicant: **Kenneth G. Smith**, Dowell, IL (US)

(72) Inventor: **Kenneth G. Smith**, Dowell, IL (US)

(\*\*) Term: **14 Years**

(21) Appl. No.: **29/494,303**

(22) Filed: **Jun. 19, 2014**

(51) **LOC (10) Cl.** ..... **08-05**

(52) **U.S. Cl.**  
USPC ..... **D8/14**

(58) **Field of Classification Search**  
USPC ..... D8/14, 21, 105, 107, 1  
CPC .... B25B 13/50; B25B 13/48; B25B 27/0042;  
B25B 27/24  
See application file for complete search history.

(56) **References Cited**

**U.S. PATENT DOCUMENTS**

2,895,362	A *	7/1959	Jamgotchian	.....	81/119
D248,536	S *	7/1978	Domasin	.....	D8/21
D300,000	S *	2/1989	Reinhardt	.....	D8/17
4,836,065	A *	6/1989	Setliff	.....	81/124.2
D329,969	S *	10/1992	Kemp	.....	D8/21
D361,246	S *	8/1995	Peacock	.....	D8/14
6,044,732	A *	4/2000	Astle	.....	81/176.15
6,439,343	B1 *	8/2002	Jorges et al.	.....	182/92
D480,933	S *	10/2003	Wendt	.....	D8/21
D513,465	S *	1/2006	Carey	.....	D8/14
D717,141	S *	11/2014	Kittelburger	.....	D8/14
D719,421	S *	12/2014	Elder	.....	D8/14

\* cited by examiner

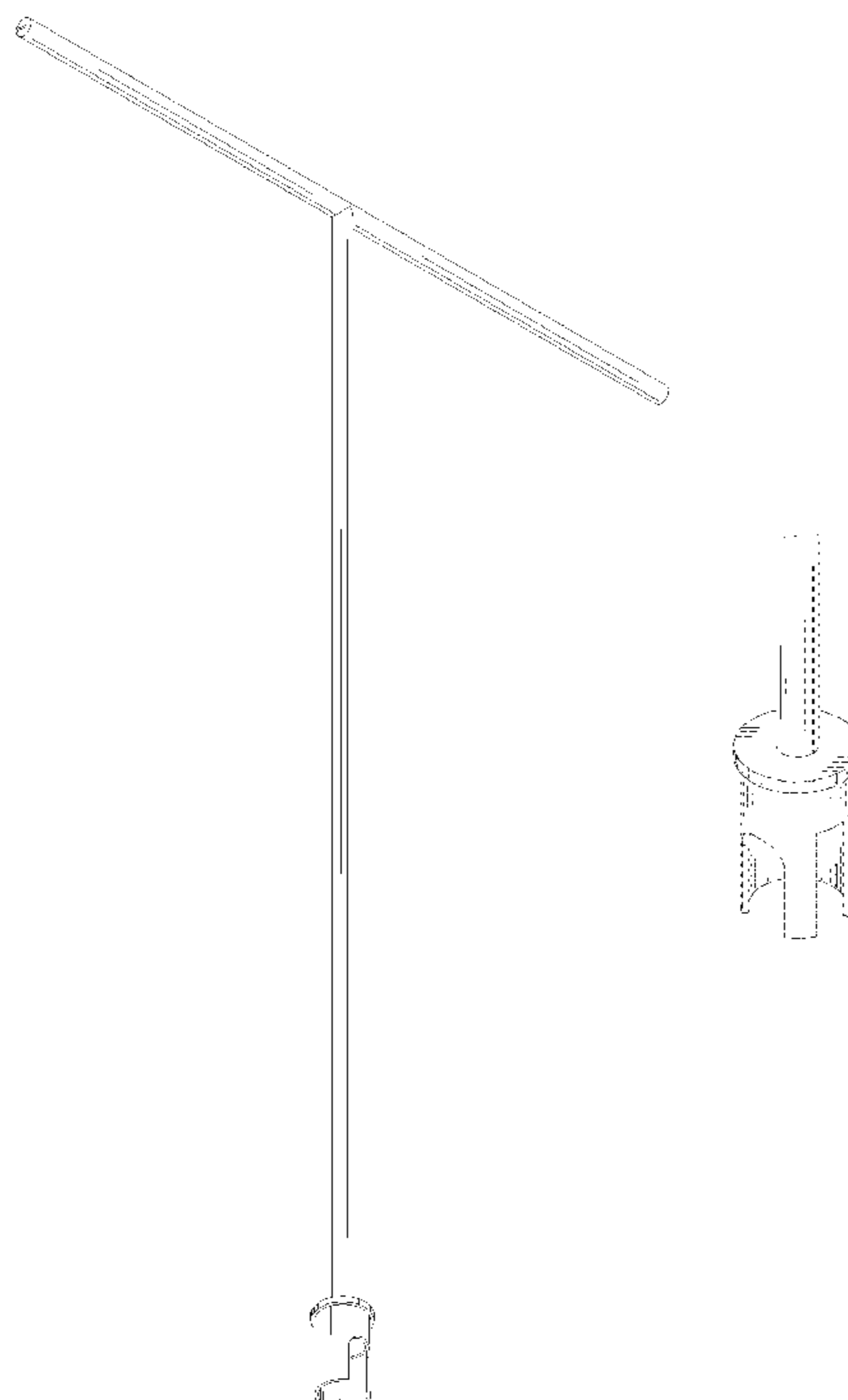
(57) **CLAIM**

The ornamental design for a shutoff valve remover tool, as shown and described.

**DESCRIPTION**

FIG. 1 is a top right perspective view of the shutoff valve remover tool;  
 FIG. 2 is a front elevational view thereof;  
 FIG. 3 is a rear elevational view thereof;  
 FIG. 4 is a left side elevational view thereof;  
 FIG. 5 is a right side elevational view thereof;  
 FIG. 6 is a top plan view thereof;  
 FIG. 7 is a bottom plan view thereof;  
 FIG. 8 is a top left perspective view thereof;  
 FIG. 9 is a bottom right perspective view thereof;  
 FIG. 10 is a bottom left perspective view thereof;  
 FIG. 11 is a magnified view of the tool head shown and designated in FIG. 1;  
 FIG. 12 is a magnified view of the tool head shown and designated in FIG. 2;  
 FIG. 13 is a magnified view of the tool head shown and designated in FIG. 4;  
 FIG. 14 is a magnified view of the tool head shown and designated in FIG. 5;  
 FIG. 15 is a magnified view of the tool head shown and designated in FIG. 7; and,  
 FIG. 16 is a magnified view of the tool head shown and designated in FIG. 9.

**1 Claim, 12 Drawing Sheets**



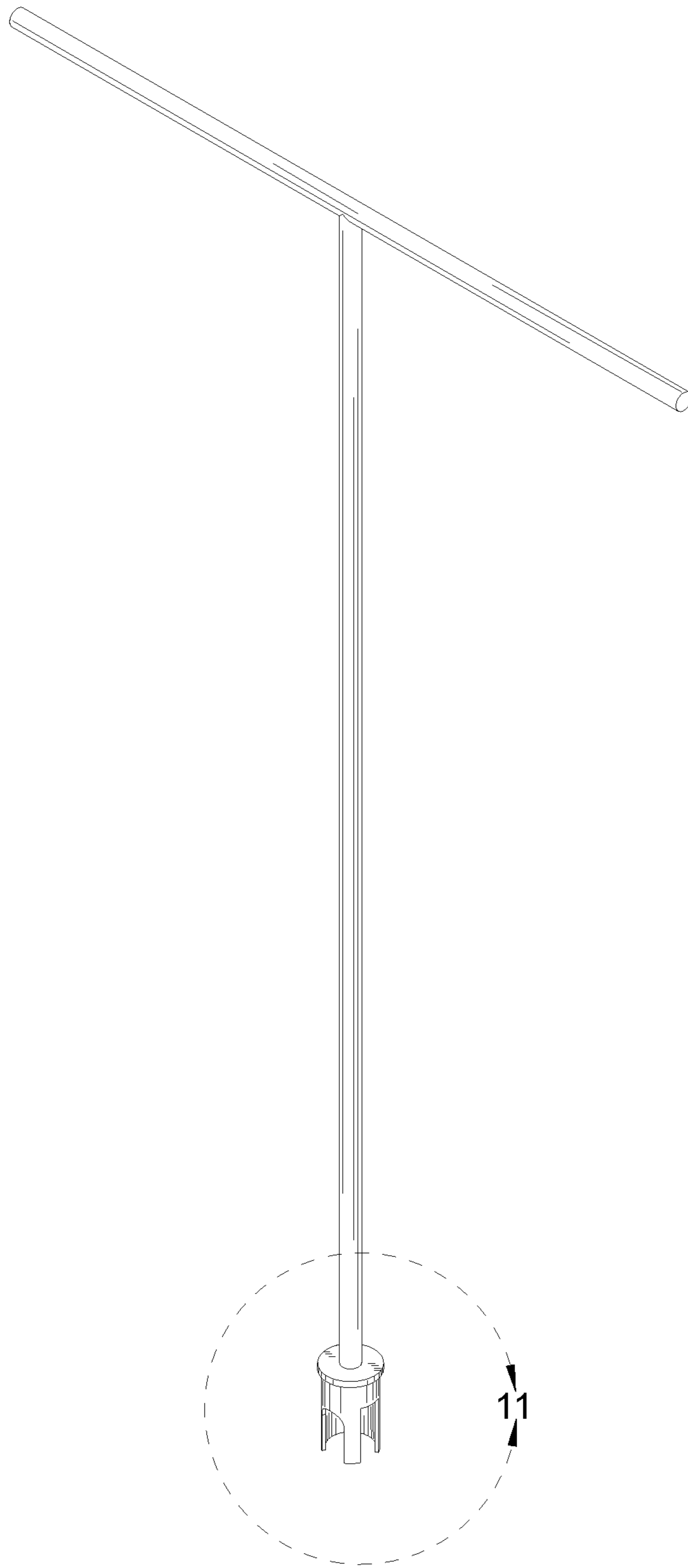


FIG. 1

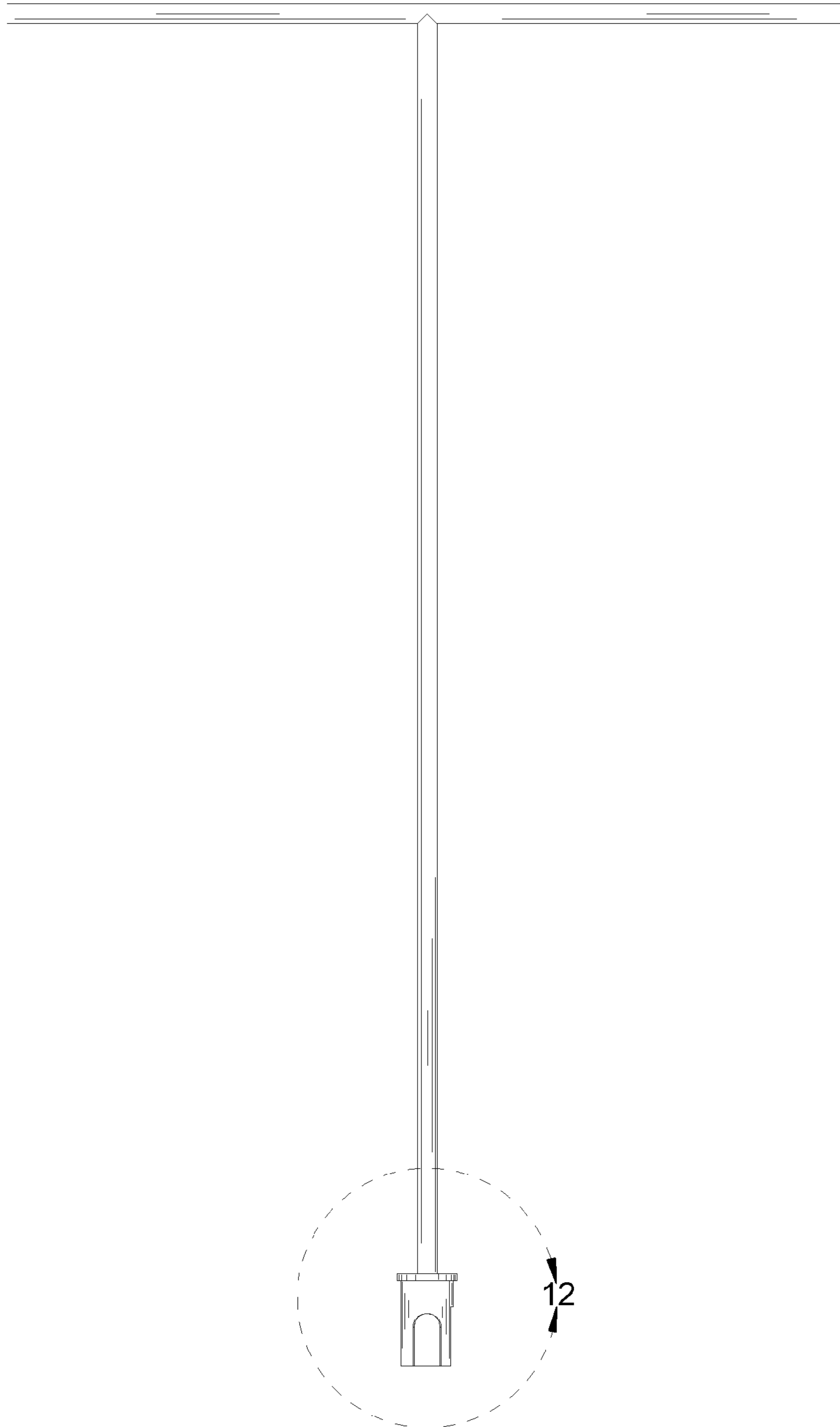


FIG. 2

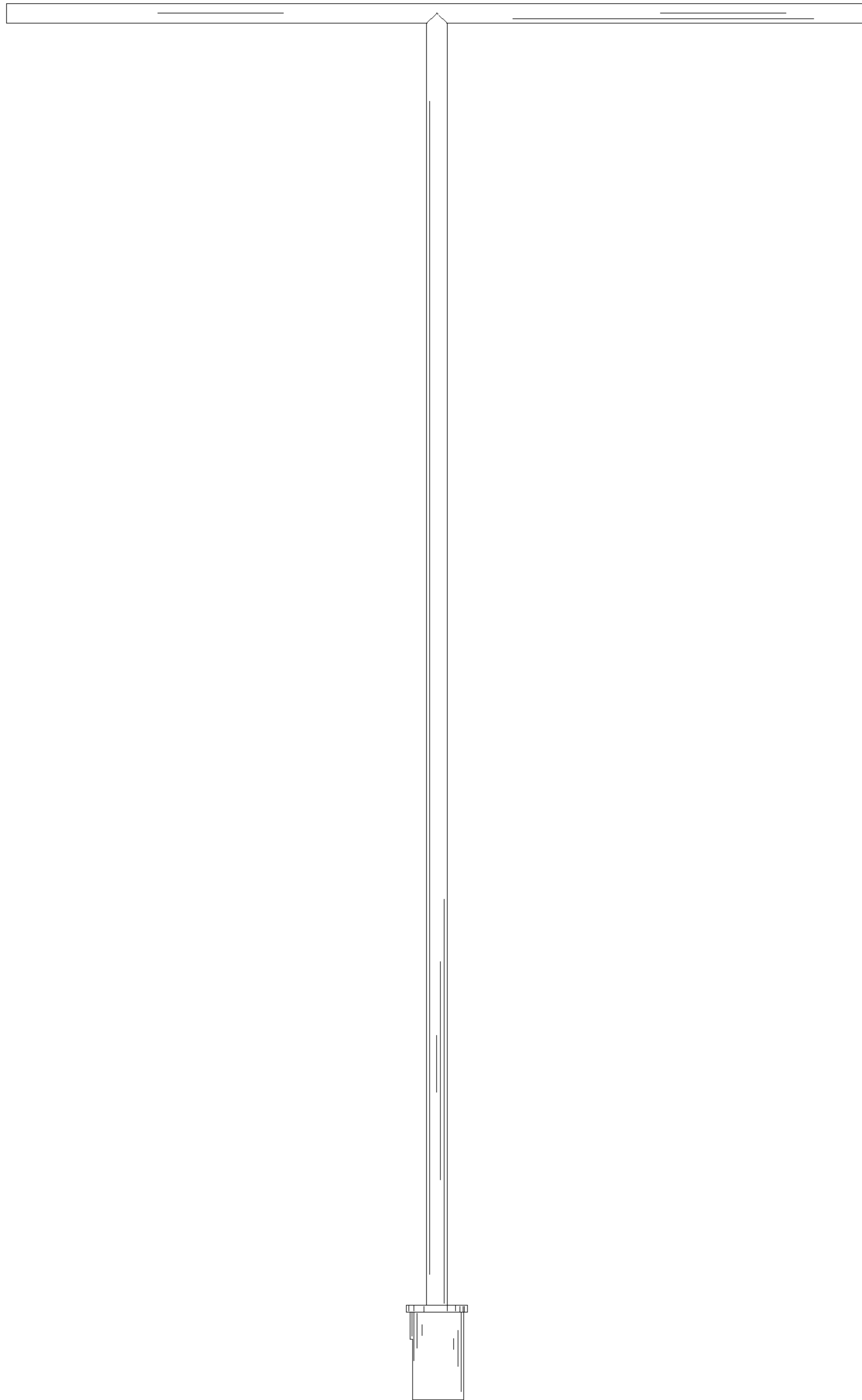


FIG. 3

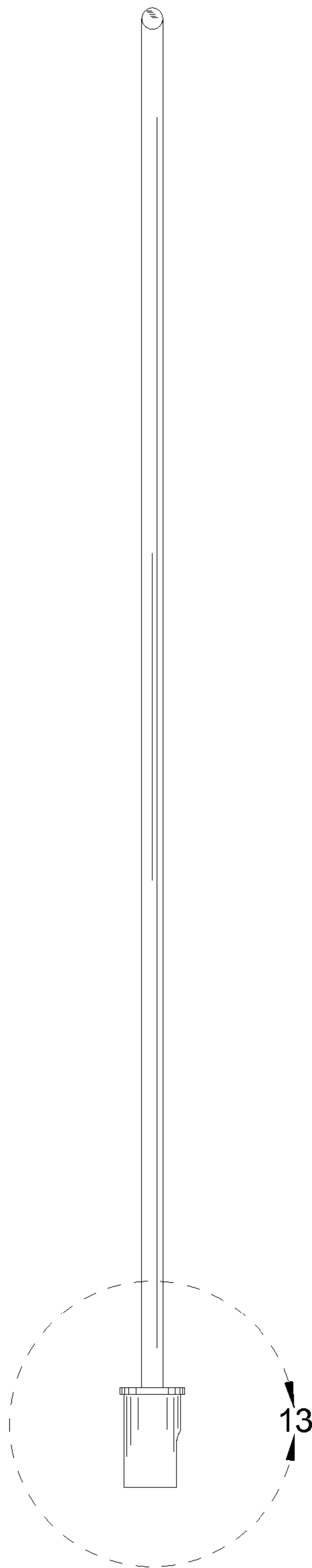


FIG. 4

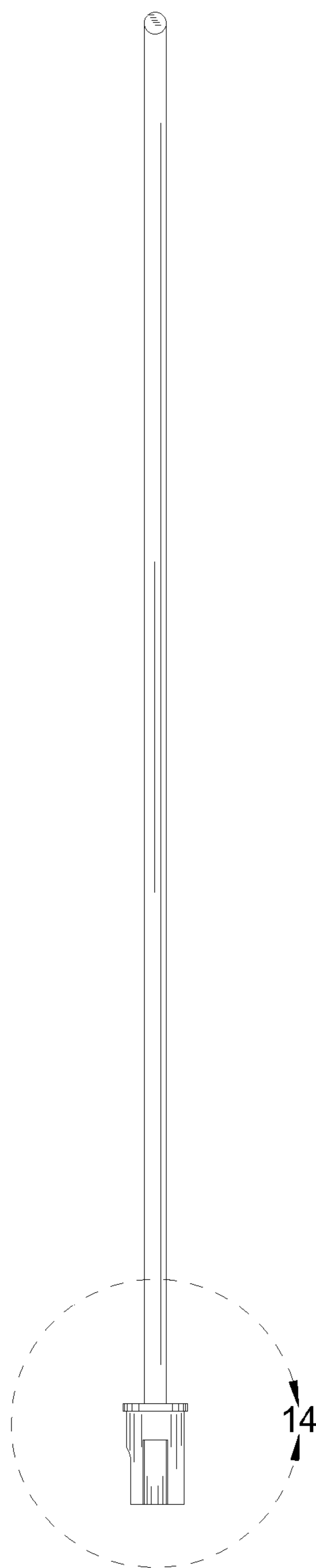


FIG. 5

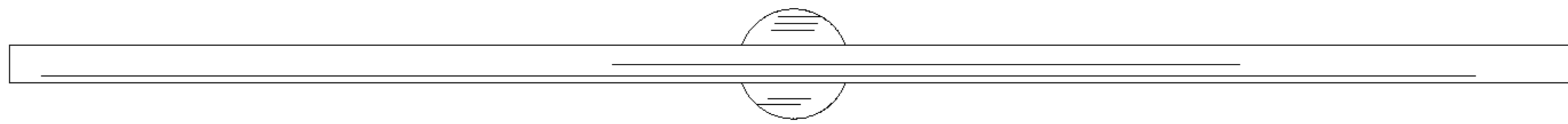


FIG. 6

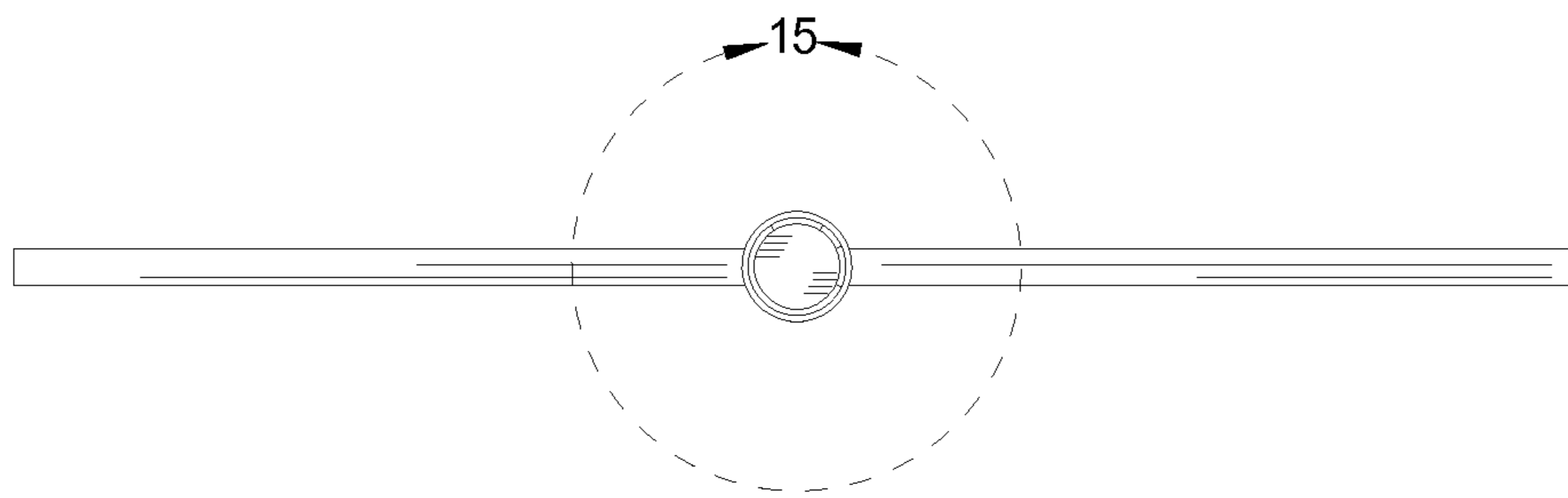


FIG. 7



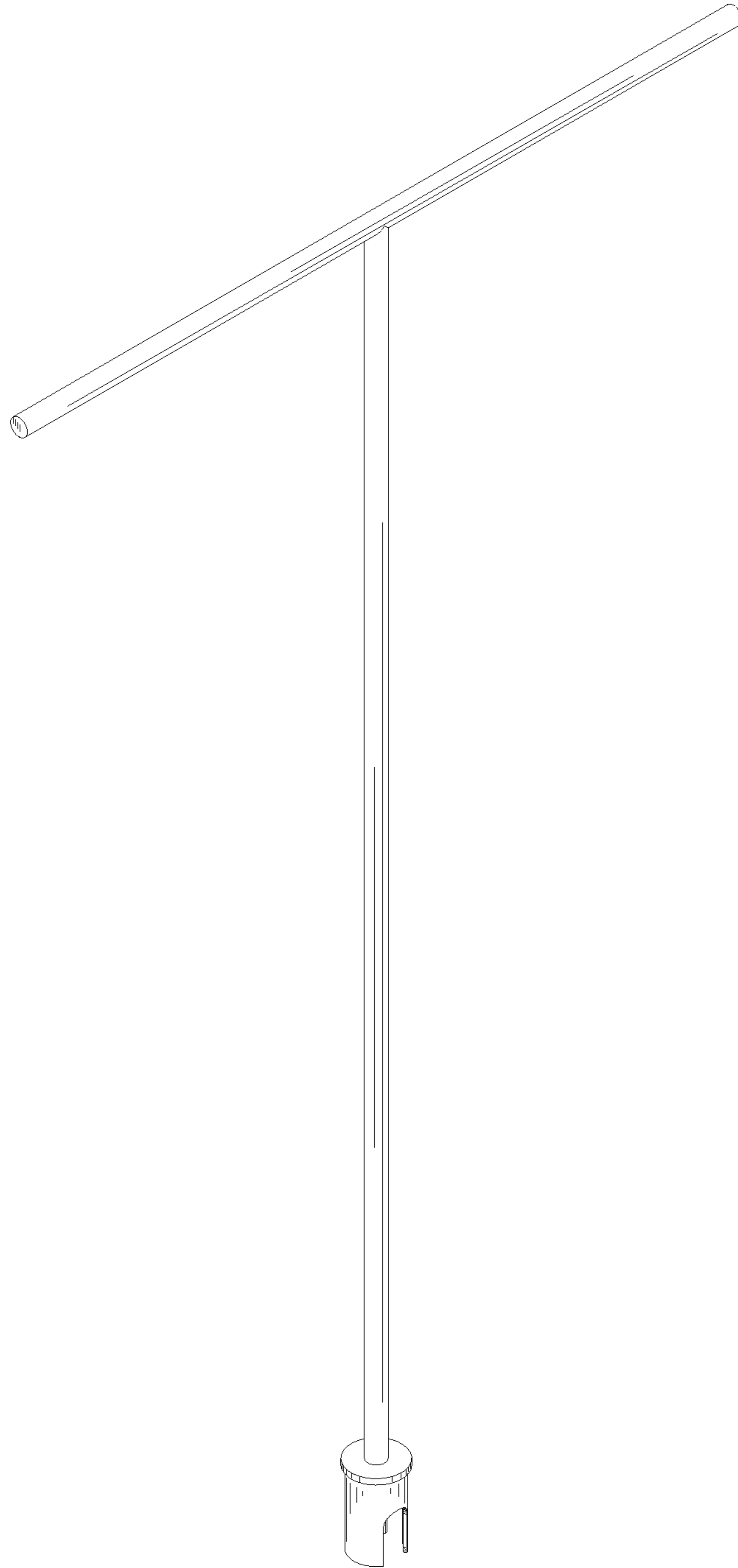


FIG. 8

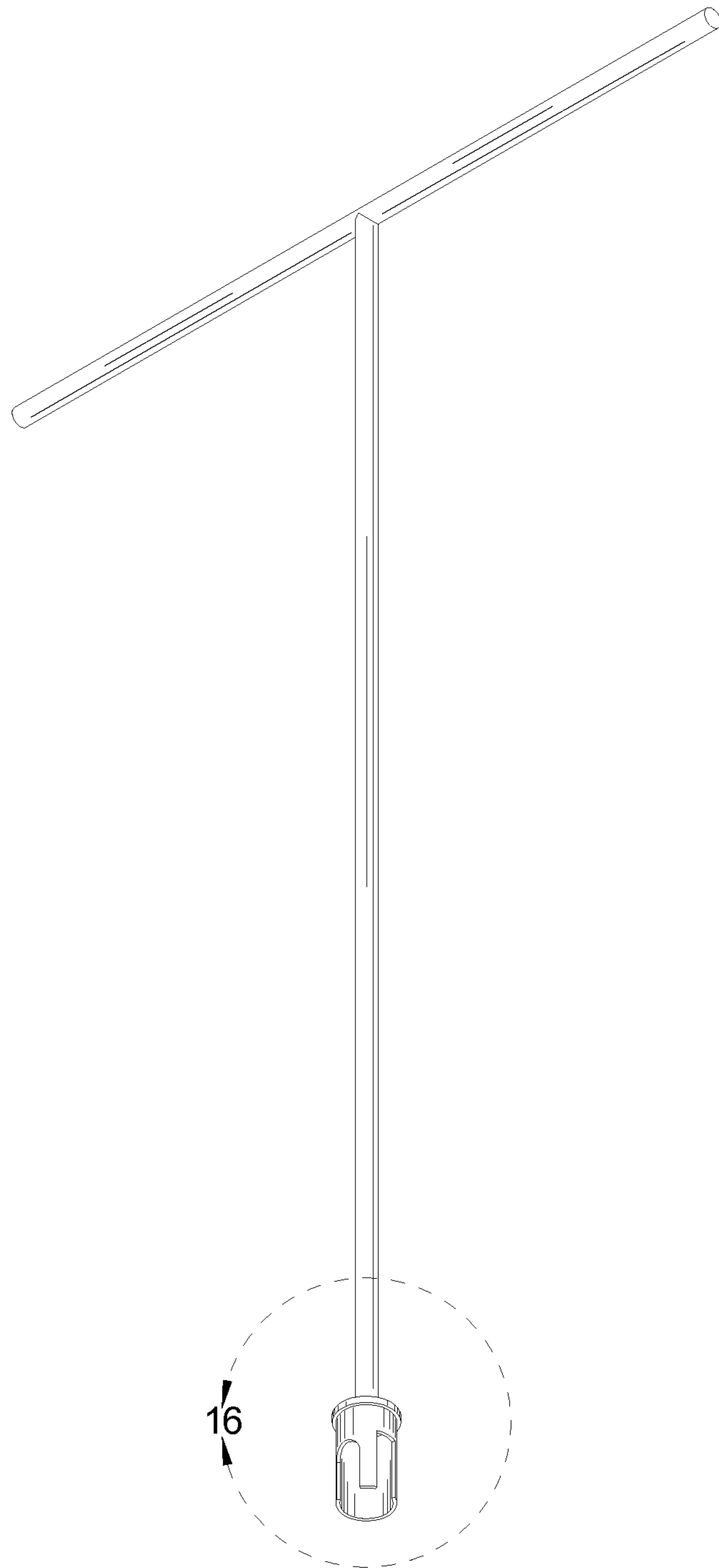


FIG. 9

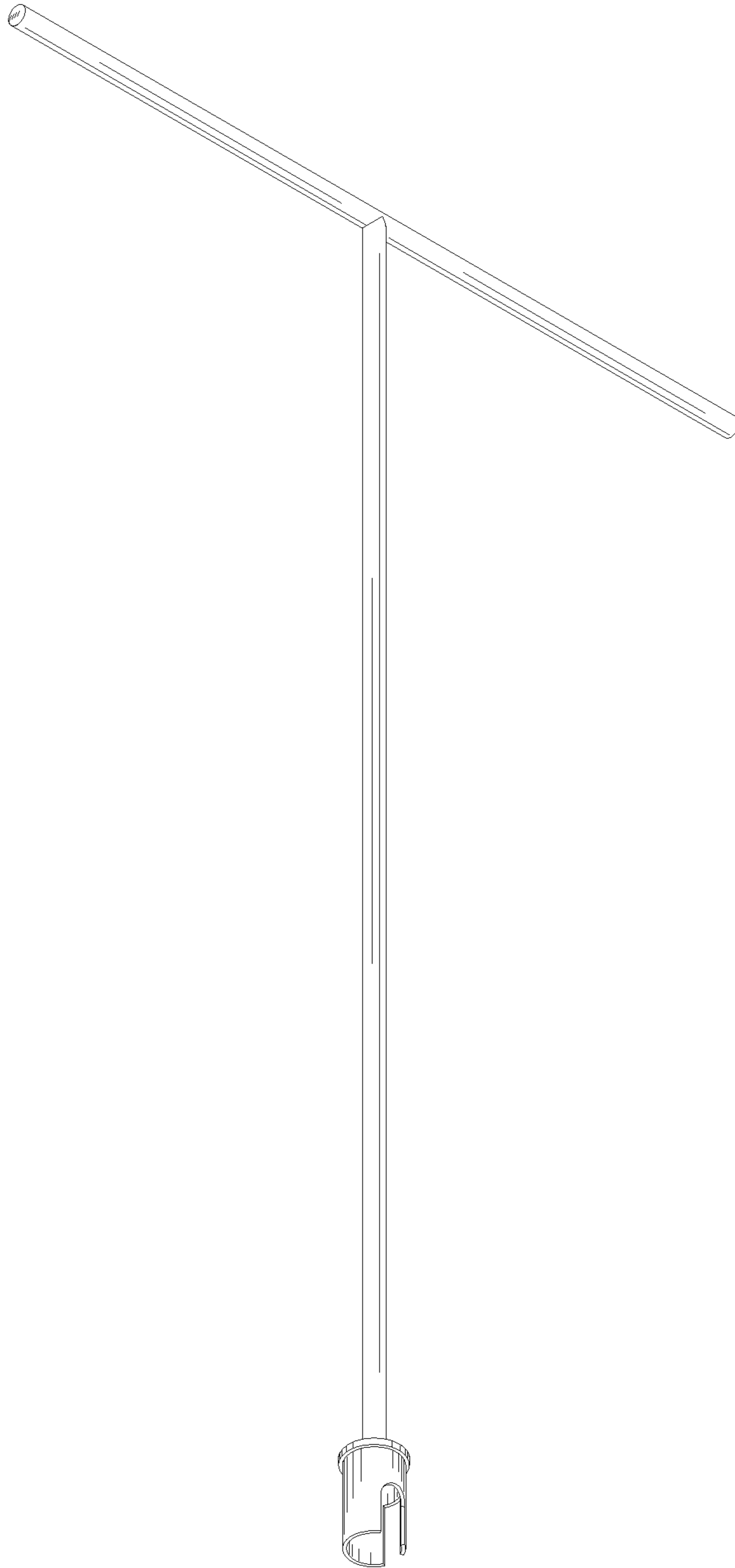


FIG. 10

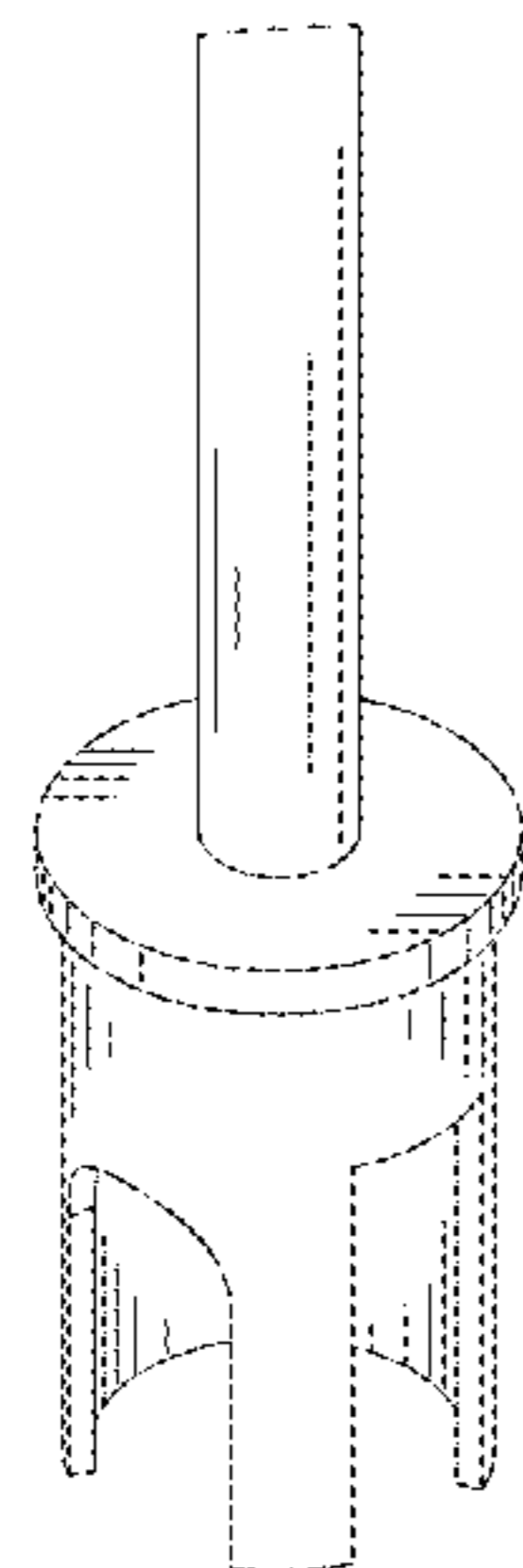


FIG. 11

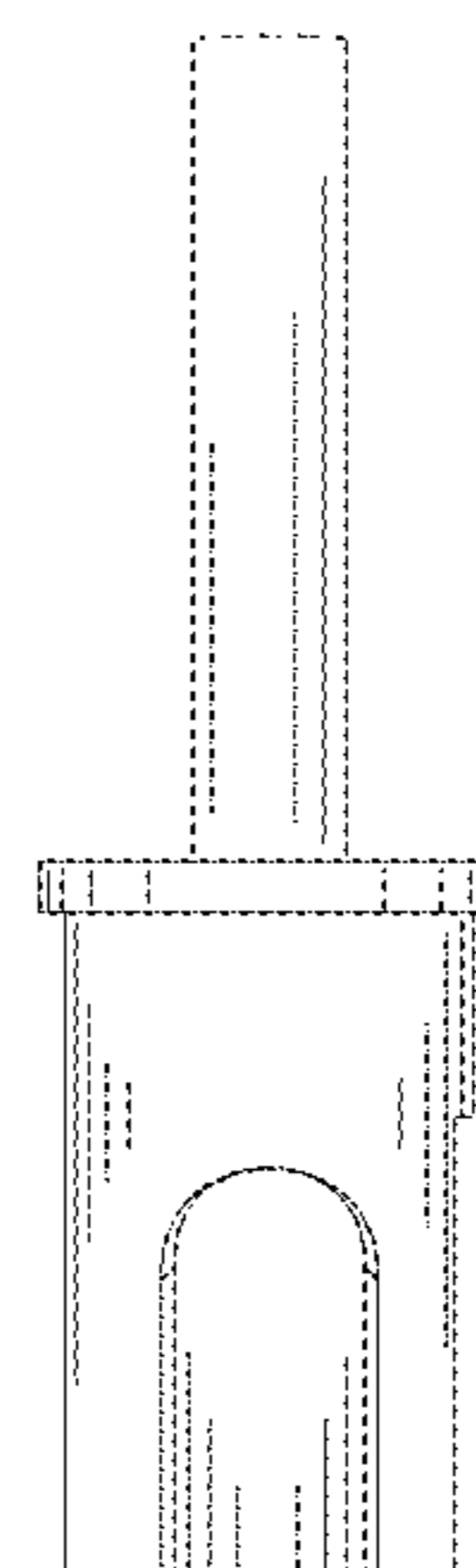


FIG. 12

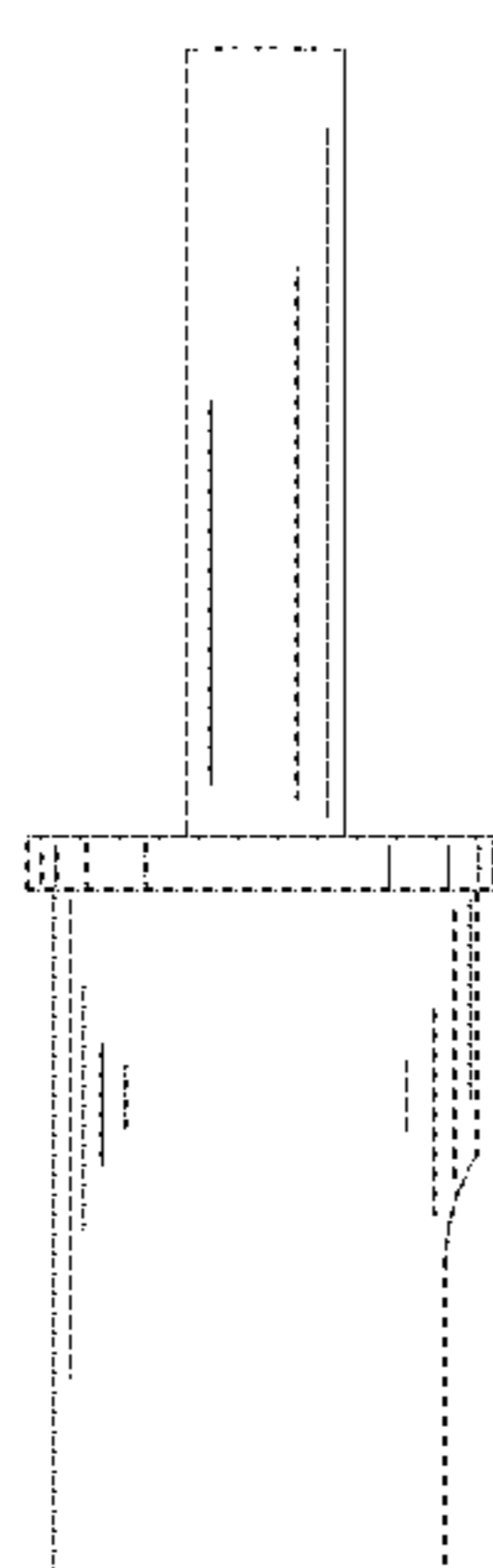


FIG. 13

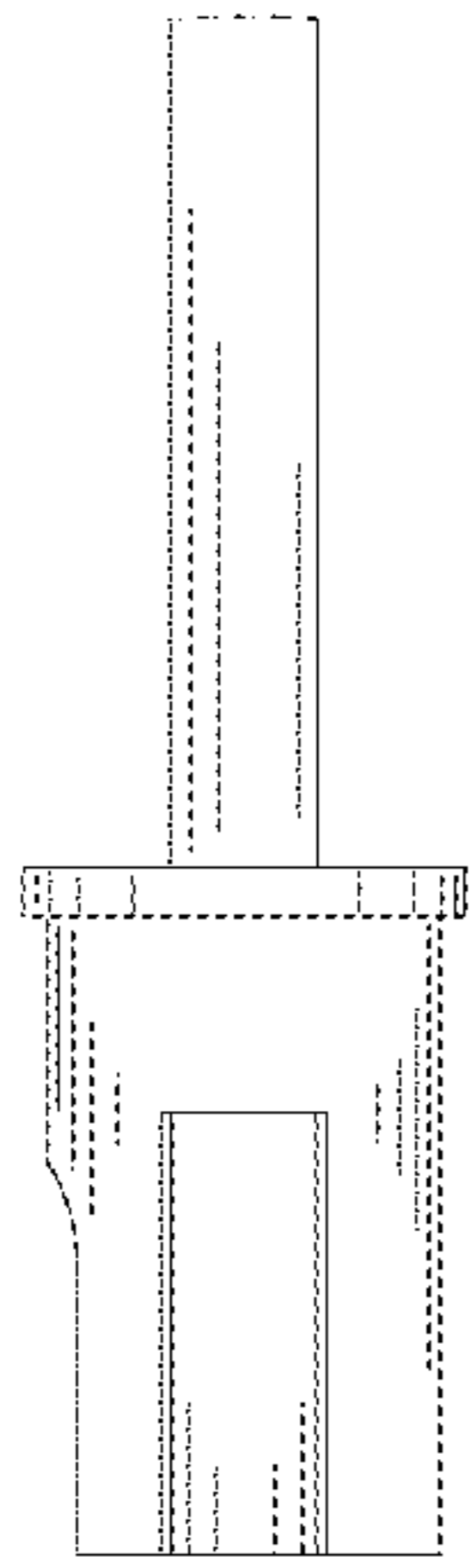


FIG. 14

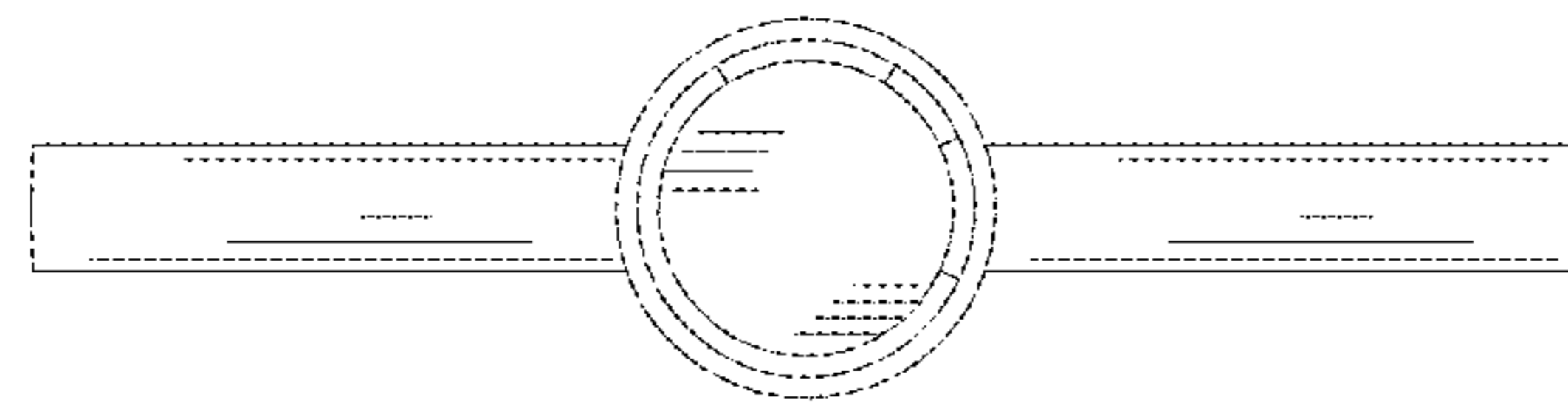


FIG. 15

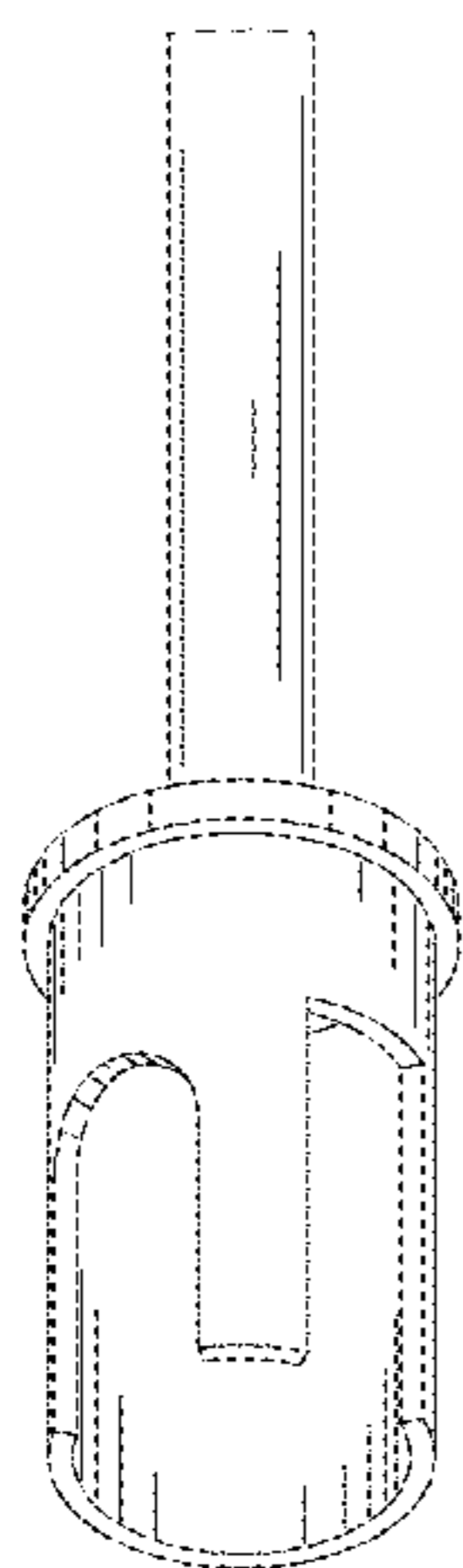


FIG. 16