

US00D743220S

(12) **United States Design Patent**
Albertson

(10) **Patent No.:** **US D743,220 S**

(45) **Date of Patent:** **** Nov. 17, 2015**

(54) **COMBINED KNIFE AND STRING FOR STRING TRIMMER**

(71) Applicant: **Robert V. Albertson**, Alma, WI (US)

(72) Inventor: **Robert V. Albertson**, Alma, WI (US)

(**) Term: **14 Years**

(21) Appl. No.: **29/474,196**

(22) Filed: **Jul. 10, 2014**

Related U.S. Application Data

(62) Division of application No. 29/463,500, filed on Dec. 16, 2013, now Pat. No. Des. 719,415.

(51) **LOC (10) Cl.** **08-08**

(52) **U.S. Cl.**
USPC **D8/8**

(58) **Field of Classification Search**
USPC D8/7-9; D15/1, 17
CPC A01D 34/416; A01D 34/4166; A01D 34/4167; A01D 34/90; A01D 34/84
See application file for complete search history.

(56) **References Cited**

U.S. PATENT DOCUMENTS

D349,634	S	*	8/1994	Skinner et al.	D8/8
D389,382	S	*	1/1998	Houle	D8/8
D417,597	S	*	12/1999	Sutliff et al.	D8/8
6,158,129	A	*	12/2000	Klein	30/276
D439,118	S	*	3/2001	Tomita	D8/8

D439,813	S	*	4/2001	Tomita	D8/8
6,519,857	B1		2/2003	Proulx et al.		
6,601,373	B1		8/2003	Legrand		
D496,840	S		10/2004	Iacona		
D532,263	S		11/2006	Iacona		
7,257,898	B2		8/2007	Iacona		
D574,679	S	*	8/2008	Denby	D8/8
D610,886	S		3/2010	Bauer		
D675,073	S		1/2013	Milburn		
D679,156	S		4/2013	Lyles		
D719,415	S	*	12/2014	Albertson	D8/8

* cited by examiner

Primary Examiner — Sheryl Lane

(74) *Attorney, Agent, or Firm* — Richard John Bartz

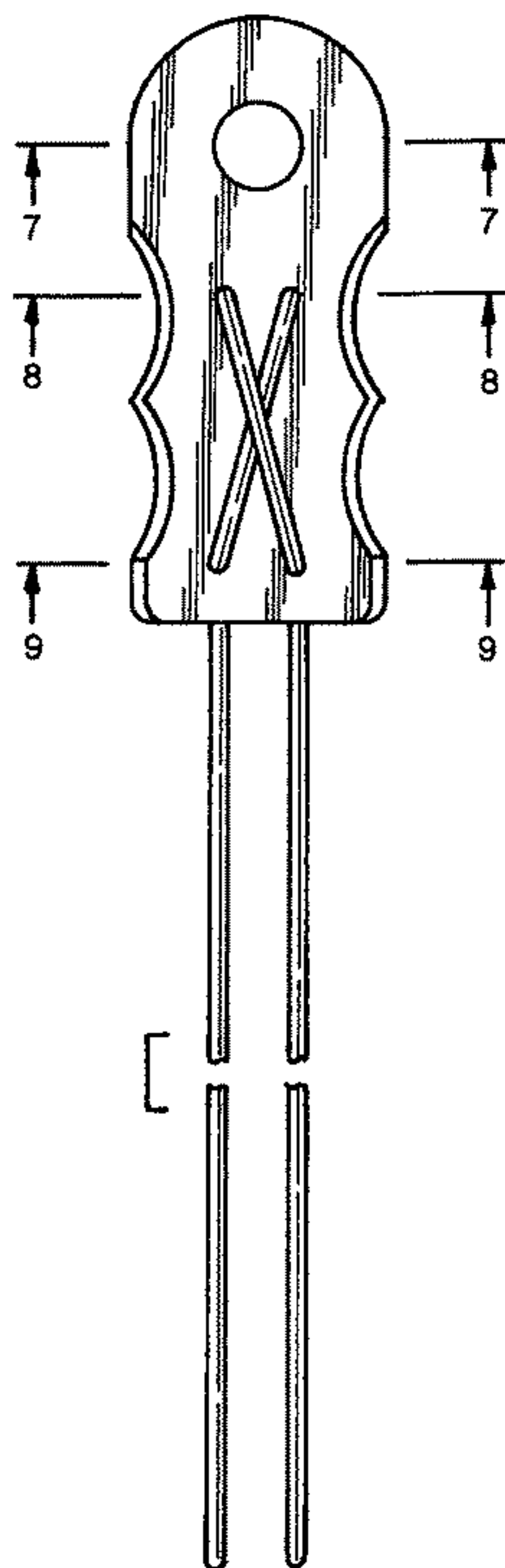
(57) **CLAIM**

The ornamental design of the combined knife and string for a string trimmer, as shown and described.

DESCRIPTION

FIG. 1 is a front elevational view of a combined knife and string for a string trimmer of my design;
 FIG. 2 is a rear elevational view thereof;
 FIG. 3 is a side elevational view of the left side of FIG. 1;
 FIG. 4 is a side elevational view of the right side of FIG. 1;
 FIG. 5 is a top plan view thereof;
 FIG. 6 is a bottom plan view thereof;
 FIG. 7 is a sectional view taken along line 7-7 of FIG. 1;
 FIG. 8 is a sectional view taken along line 8-8 of FIG. 1; and,
 FIG. 9 is a sectional view taken along line 9-9 of FIG. 1.
 The string is shown with an illustrative break. The space between the break lines forms no part of the claimed design.

1 Claim, 3 Drawing Sheets



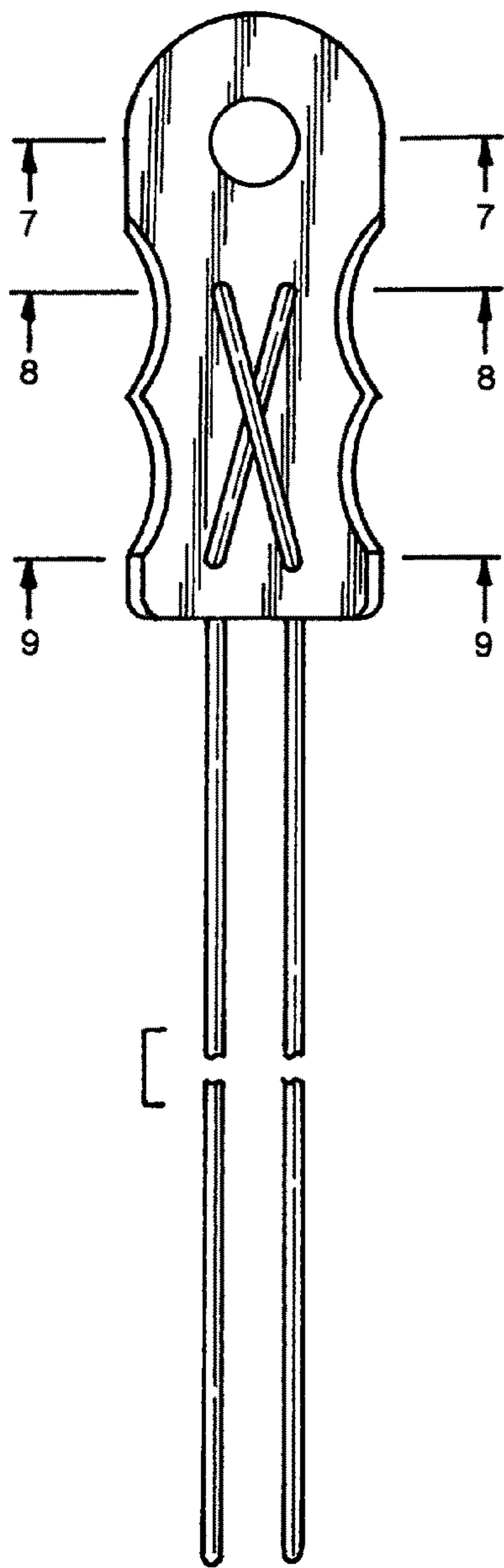


FIG.1

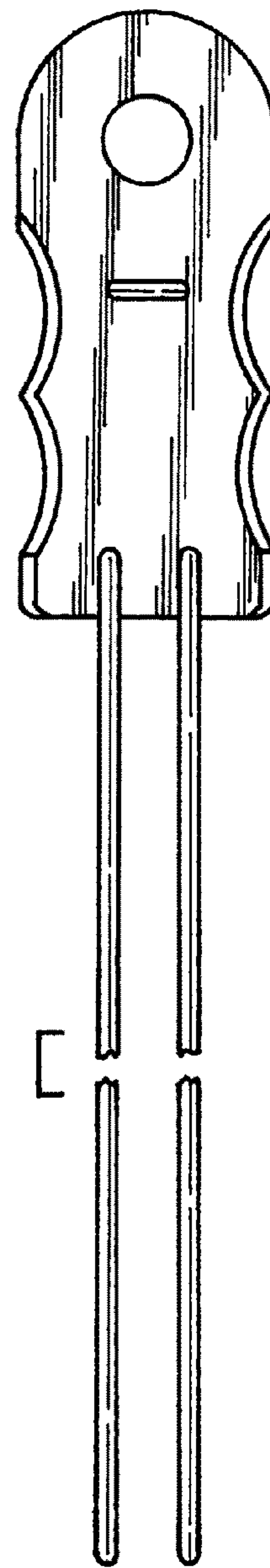


FIG.2

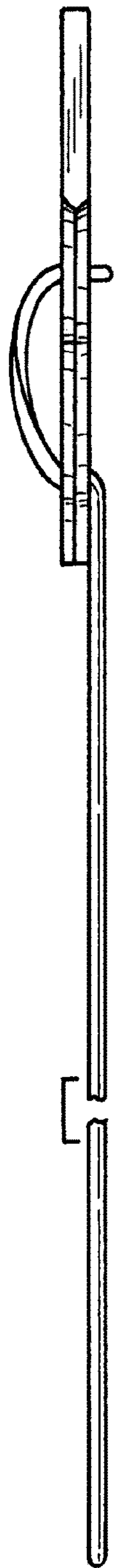


FIG.3

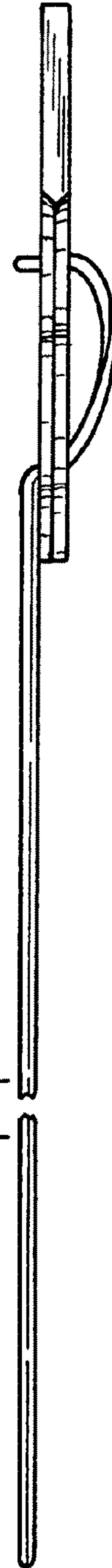


FIG.4

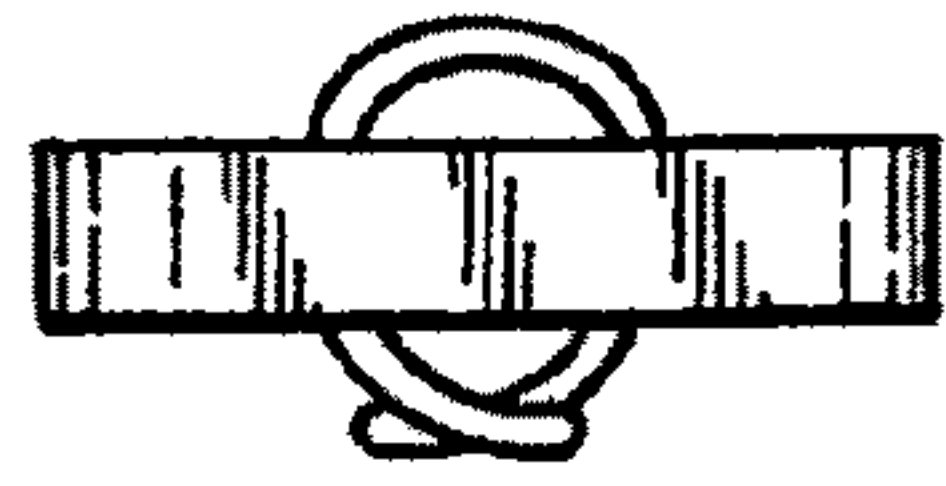


FIG. 5

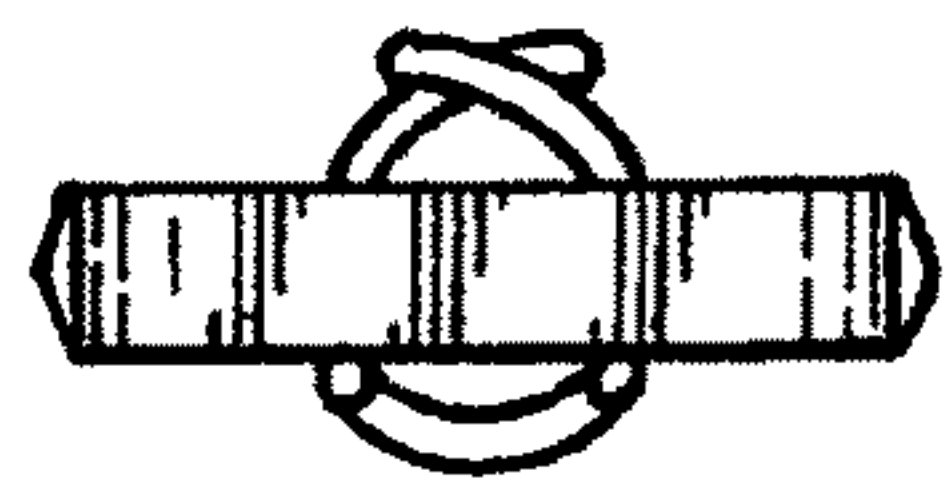


FIG. 6



FIG. 7



FIG. 8



FIG. 9