



US00D743217S

(12) **United States Design Patent**
Salles et al.

(10) **Patent No.:** **US D743,217 S**

(45) **Date of Patent:** **** Nov. 17, 2015**

(54) **MARGARITA TOOL**

(71) Applicant: **Quench Products, Inc.**, New York, NY (US)

(72) Inventors: **Joshua Salles**, Larchmont, NY (US);
Geoffrey Curley, Larchmont, NY (US);
David Block, Brooklyn, NY (US);
Alvaro Uribe, Brooklyn, NY (US)

(73) Assignee: **Quench Products, Inc.**, New York, NY (US)

(**) Term: **14 Years**

(21) Appl. No.: **29/491,312**

(22) Filed: **May 20, 2014**

(51) **LOC (10) Cl.** **07-04**

(52) **U.S. Cl.**
USPC **D7/669**

(58) **Field of Classification Search**
USPC D7/669, 680-696; D8/34, 105; 7/119,
7/118, 155, 156; 81/3.09
CPC B26B 11/001; B26B 11/00; B67B 7/44;
B67B 7/16; B25F 1/04

See application file for complete search history.

(56) **References Cited**

U.S. PATENT DOCUMENTS

8,015,642 B1 *	9/2011	Oakley	B26B 11/00 7/155
D658,019 S *	4/2012	LeBlanc	D7/682
8,631,722 B1 *	1/2014	Davis	B25F 1/04 7/155
8,887,598 B1 *	11/2014	Oakley	B67B 7/44 7/155
2011/0072594 A1 *	3/2011	Danias-Borkin	B25F 1/04 7/155

* cited by examiner

Primary Examiner — Terry Wallace

(74) *Attorney, Agent, or Firm* — Edell, Shapiro & Finnan, LLC

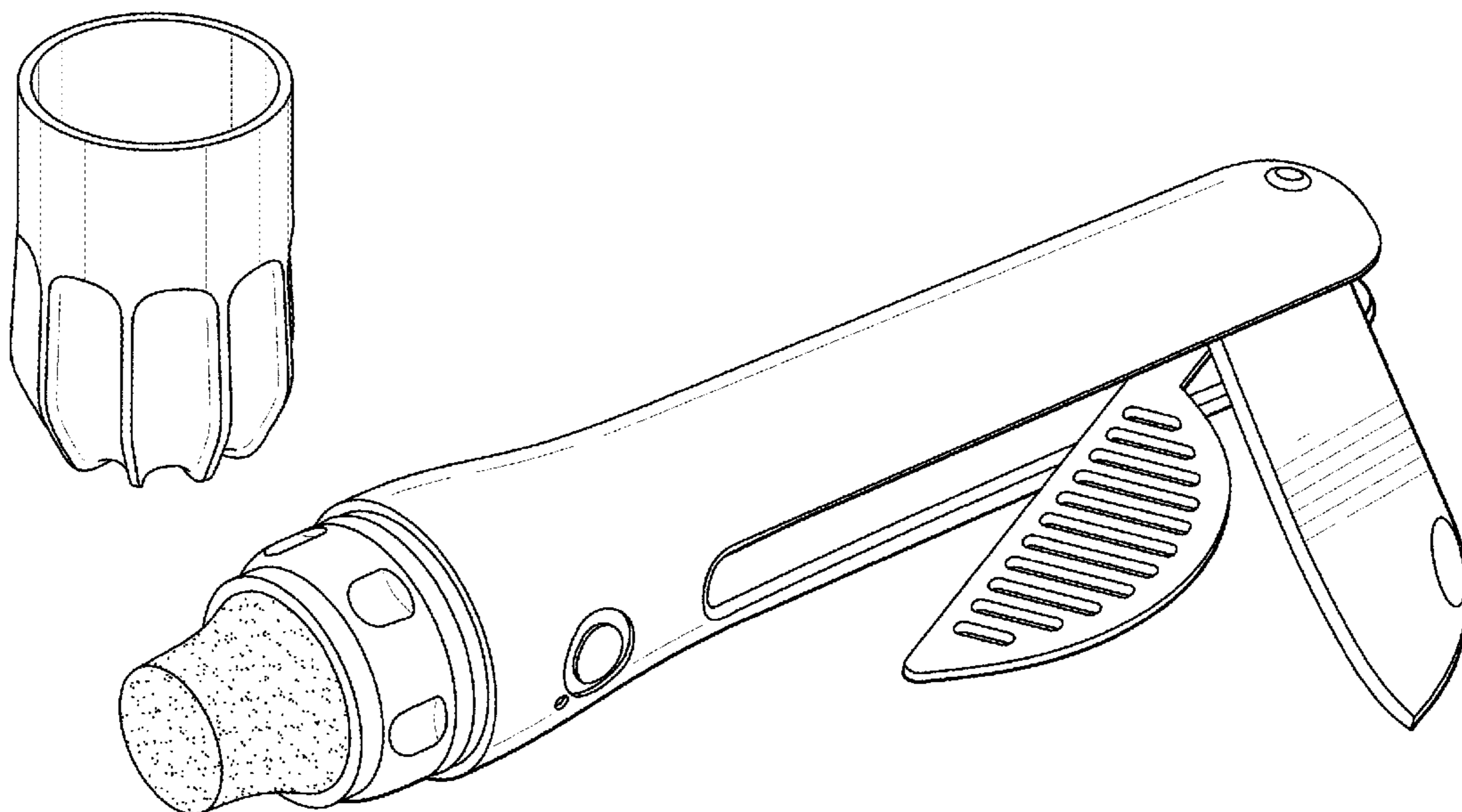
(57) **CLAIM**

The ornamental design for a margarita tool, as shown and described.

DESCRIPTION

FIG. 1 is a view in perspective showing the design with individual tool components fully retracted into the tool body; FIG. 2 is a front view in elevation thereof; FIG. 3 is a rear view in elevation thereof; FIG. 4 is a right side view in elevation thereof; FIG. 5 is a left side view in elevation thereof; FIG. 6 is a bottom view in plan thereof; FIG. 7 is a top view in plan thereof; and, FIG. 8 is a view in perspective showing the design with individual tool components partially folded out of the tool body and bottom end cover removed.

1 Claim, 5 Drawing Sheets



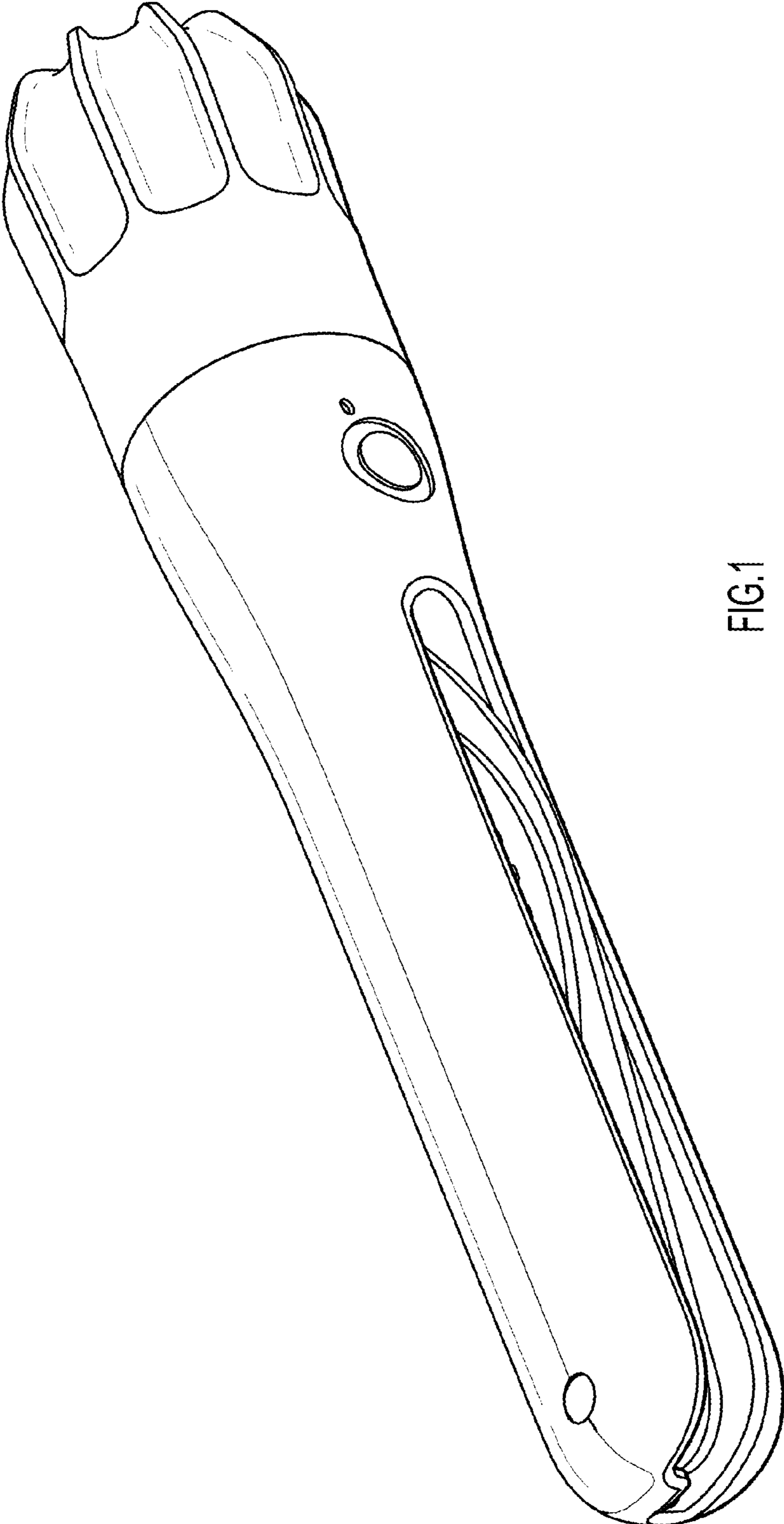


FIG.1

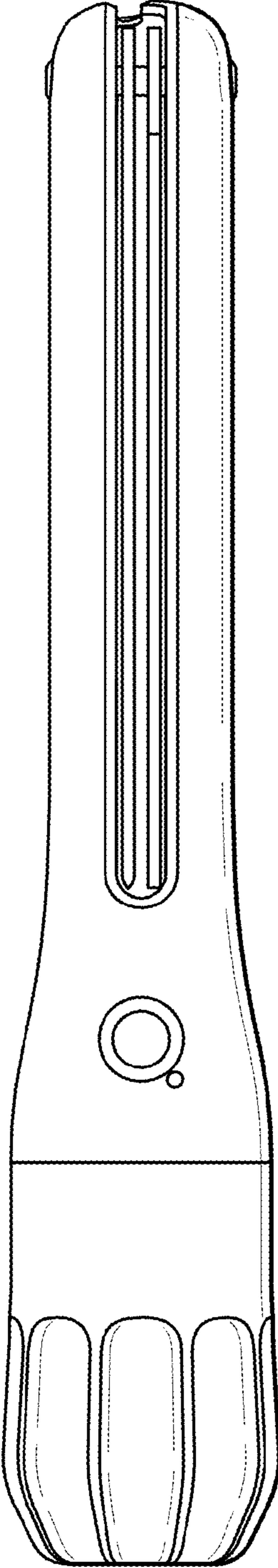


FIG.2

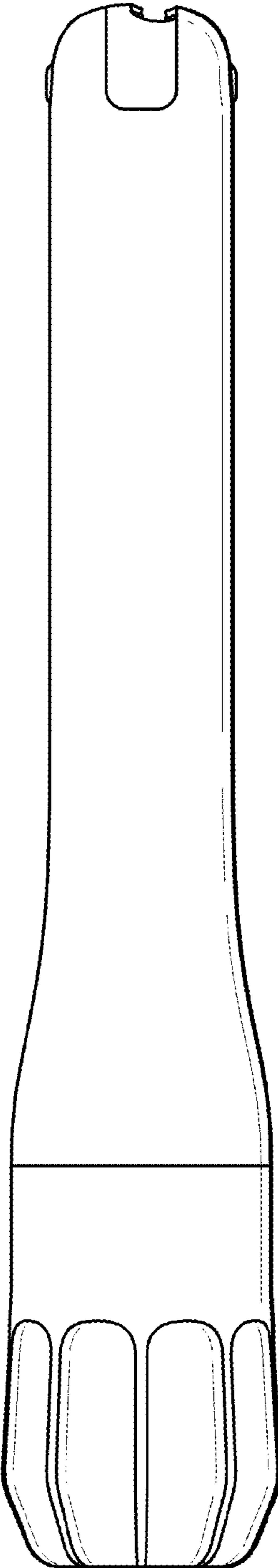


FIG.3

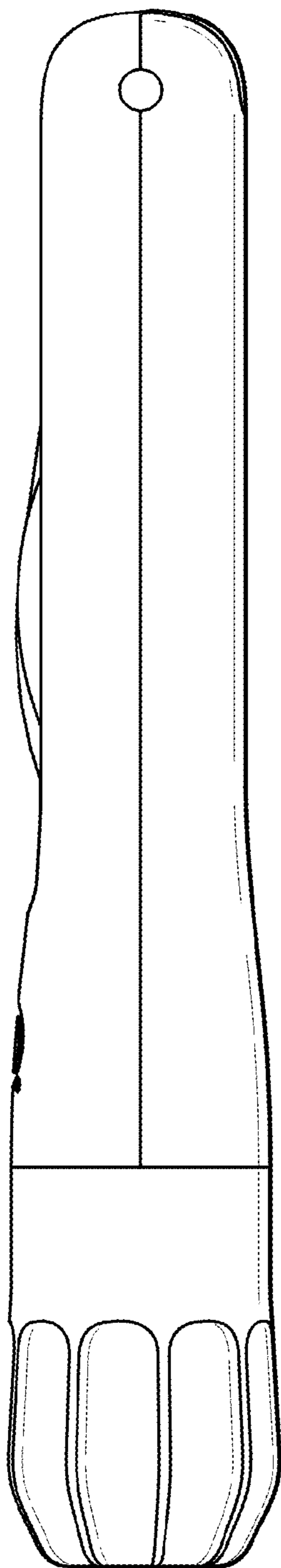


FIG.4

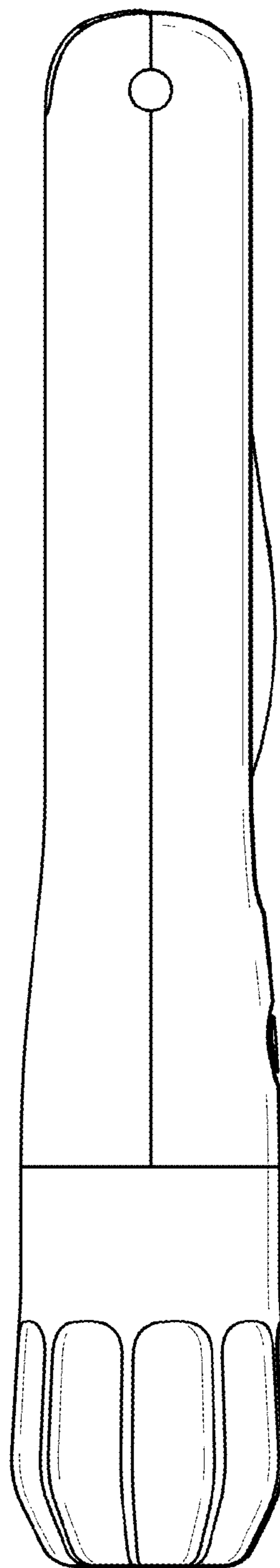


FIG.5

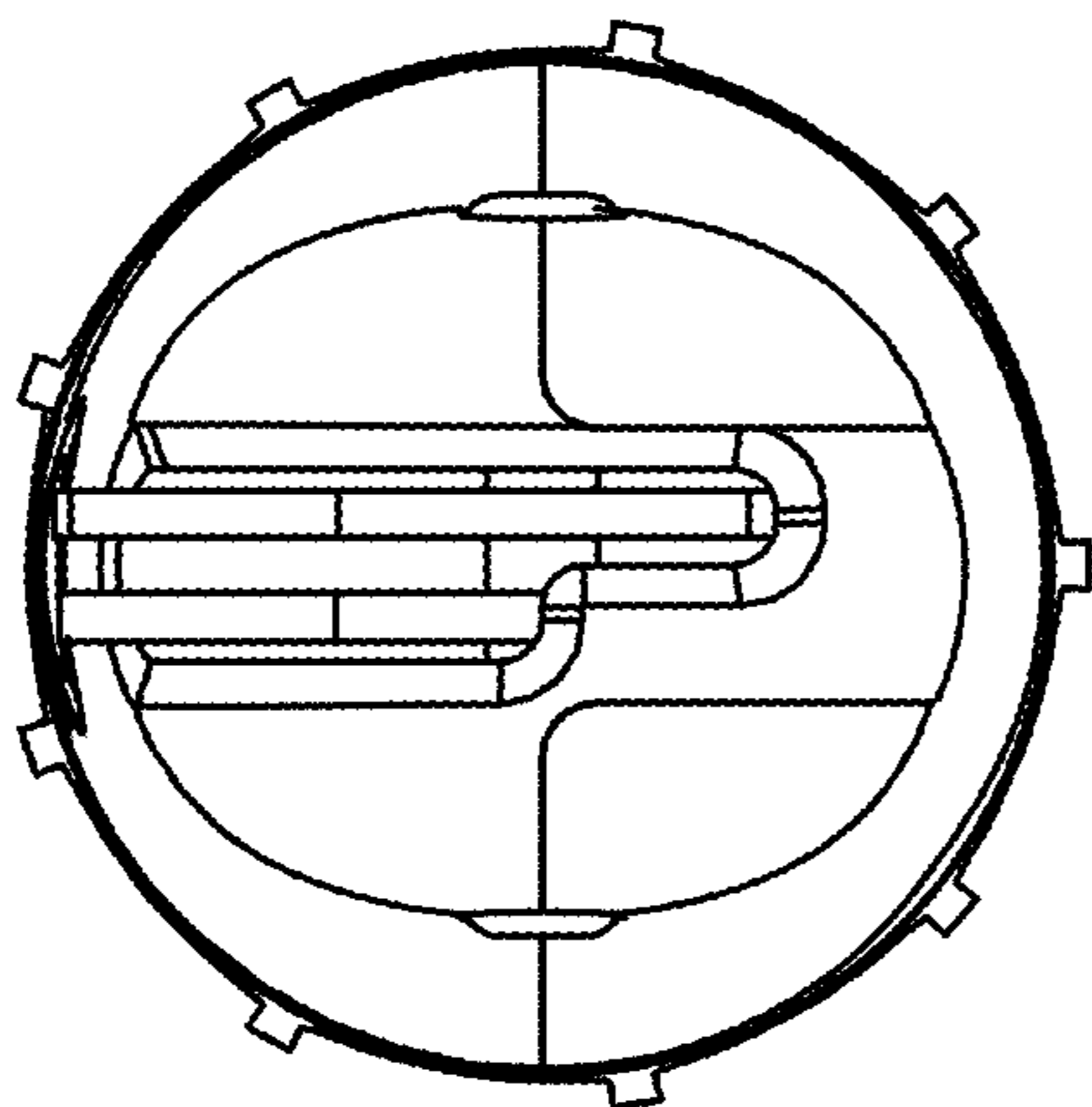


FIG.7

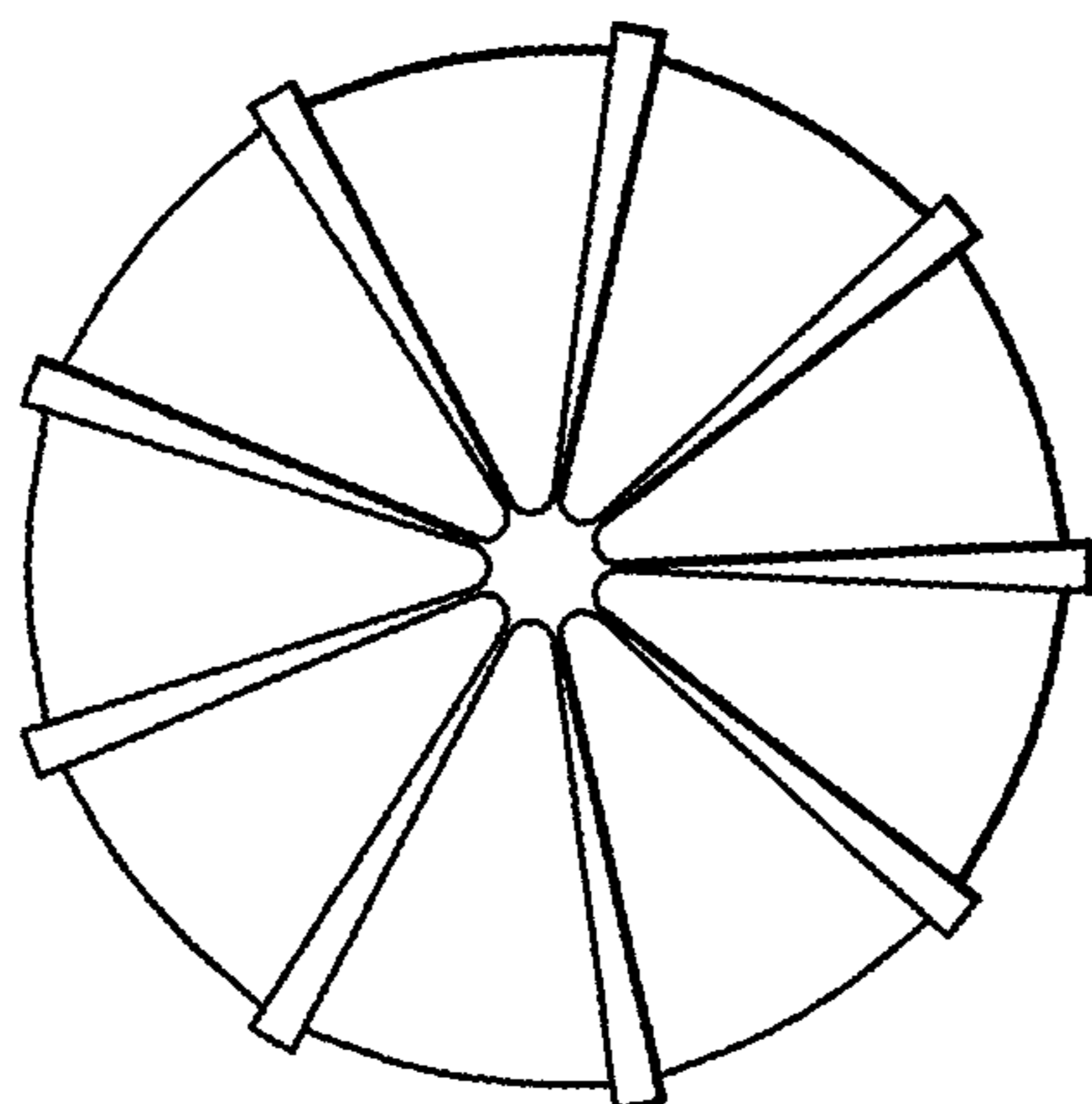


FIG.6

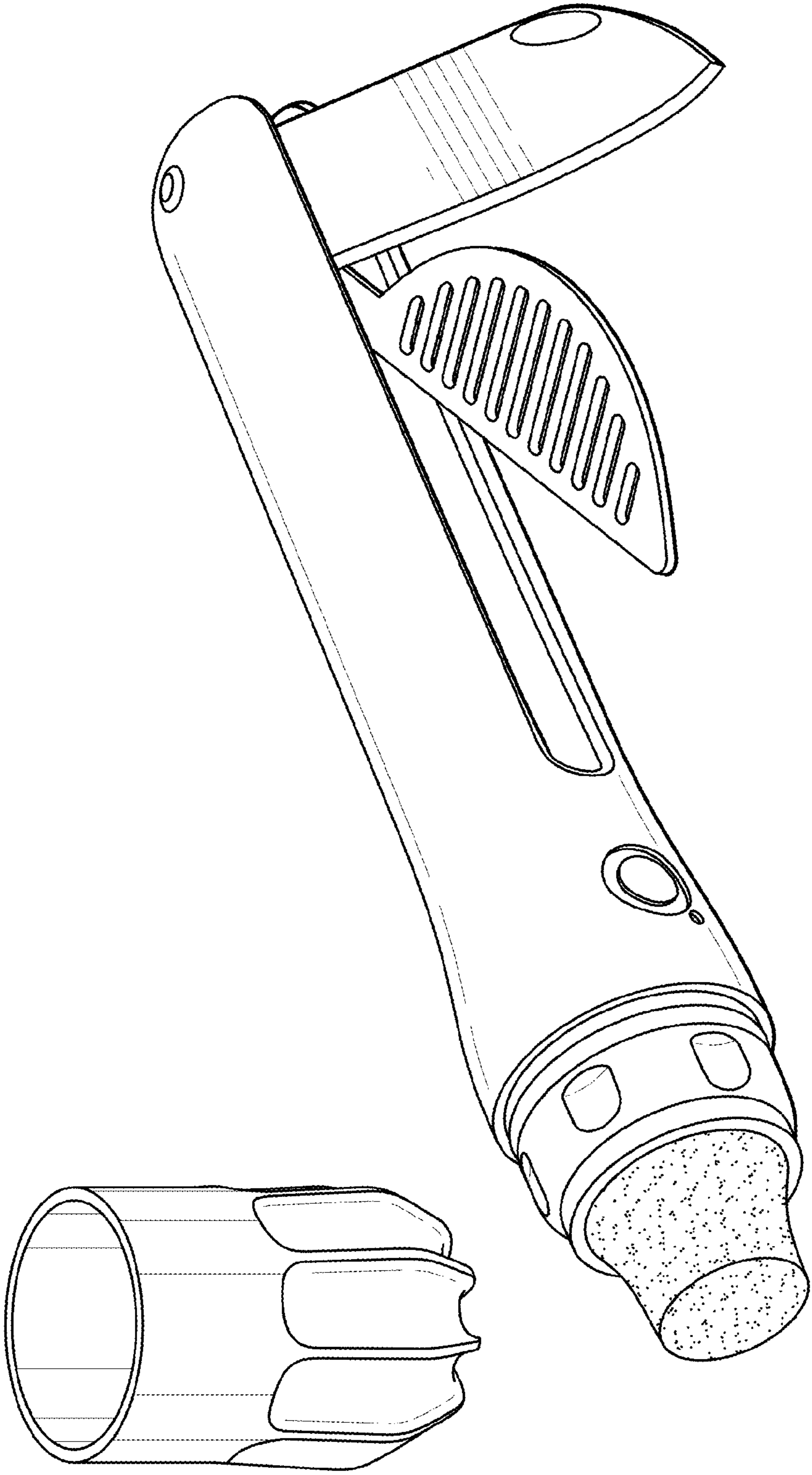


FIG.8