



US00D743215S

(12) **United States Design Patent**  
**Hertaus**

(10) **Patent No.:** **US D743,215 S**

(45) **Date of Patent:** **\*\* Nov. 17, 2015**

(54) **CIRCLE SPICE TOWER ORGANIZER**

D643,686 S \* 8/2011 Tiemann ..... D7/600.4  
D691,858 S \* 10/2013 Tiemann ..... D7/600.4  
D701,432 S \* 3/2014 Tsai ..... D7/600.4

(71) Applicant: **LIPPER INTERNATIONAL INC.**,  
Wallingford, CT (US)

\* cited by examiner

(72) Inventor: **Alan R. Hertaus**, Le Sueur, MN (US)

*Primary Examiner* — Terry Wallace

(73) Assignee: **LIPPER INTERNATIONAL INC.**,  
Wallingford, CT (US)

(74) *Attorney, Agent, or Firm* — Lucas & Mercanti, LLP

(\*\*) Term: **14 Years**

(57) **CLAIM**

The ornamental design for a circle spice tower organizer, as shown and described.

(21) Appl. No.: **29/489,381**

**DESCRIPTION**

(22) Filed: **Apr. 29, 2014**

FIG. 1 is a front perspective view of a circle spice tower organizer;

(51) **LOC (10) Cl.** ..... **07-06**

FIG. 2 is a front view of the circle spice tower organizer;

(52) **U.S. Cl.**

FIG. 3 is a this side view of the circle spice tower organizer;

USPC ..... **D7/600.4**

FIG. 4 is a rear side view of the circle spice tower organizer;

(58) **Field of Classification Search**

FIG. 5 is a second side view of the circle spice tower organizer;

USPC ..... D7/600.1–600.4; D6/657, 663, 668,  
D6/668.1, 668.2, 677.2, 705, 705.6;  
211/126.15, 126.8, 133.2, 150, 74,  
211/181.1; 312/249.11

FIG. 6 is a top view of the circle spice tower organizer;

CPC ..... A47B 88/0451

FIG. 7 is a bottom view of the circle spice tower organizer;

See application file for complete search history.

FIG. 8 is a front perspective view of the circle spice tower organizer with the top drawer closed and bottom drawer open;

(56) **References Cited**

FIG. 9 is a front perspective view of the circle spice tower organizer with the top and bottom drawers open; and,

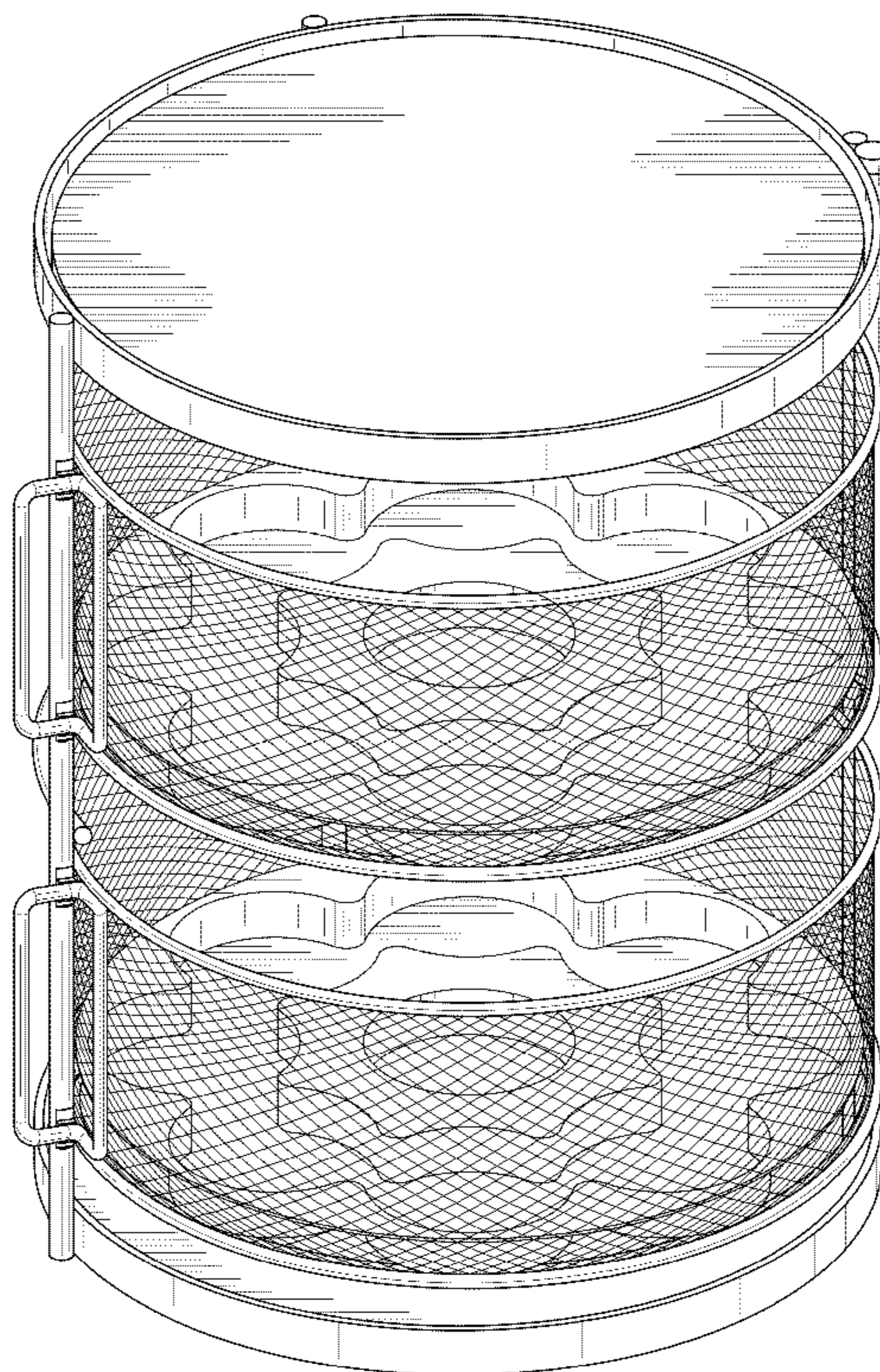
**U.S. PATENT DOCUMENTS**

FIG. 10 is a front perspective view of the circle spice tower organizer in use, with the top open drawer and containing a spice jar in the open drawer.

D110,146 S \* 6/1938 Hume ..... D6/465  
D423,251 S \* 4/2000 Black ..... D6/668.2

The broken lines are for illustrative purposes only and form no part of the claimed design.

**1 Claim, 10 Drawing Sheets**



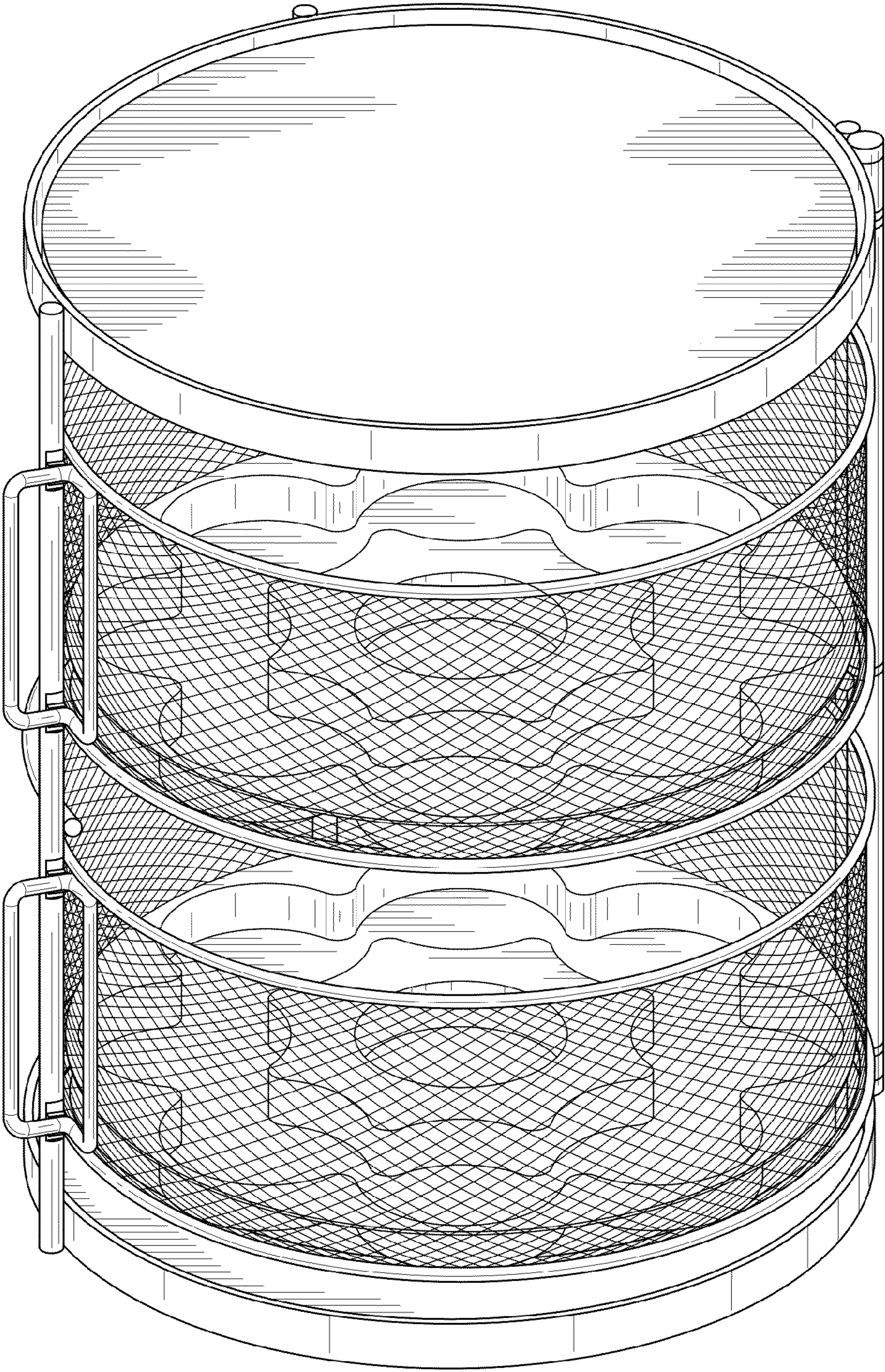


FIG. 1

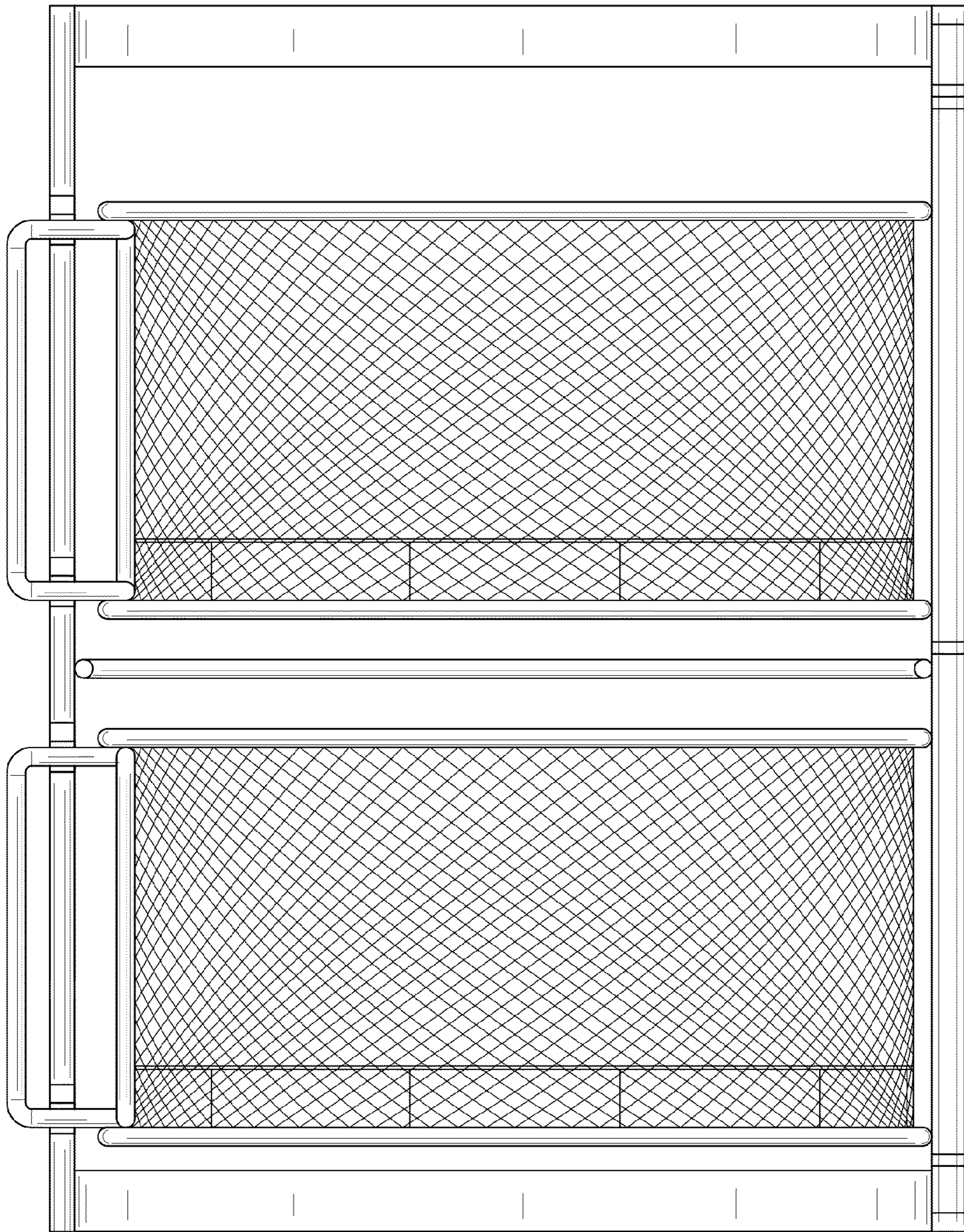


FIG. 2

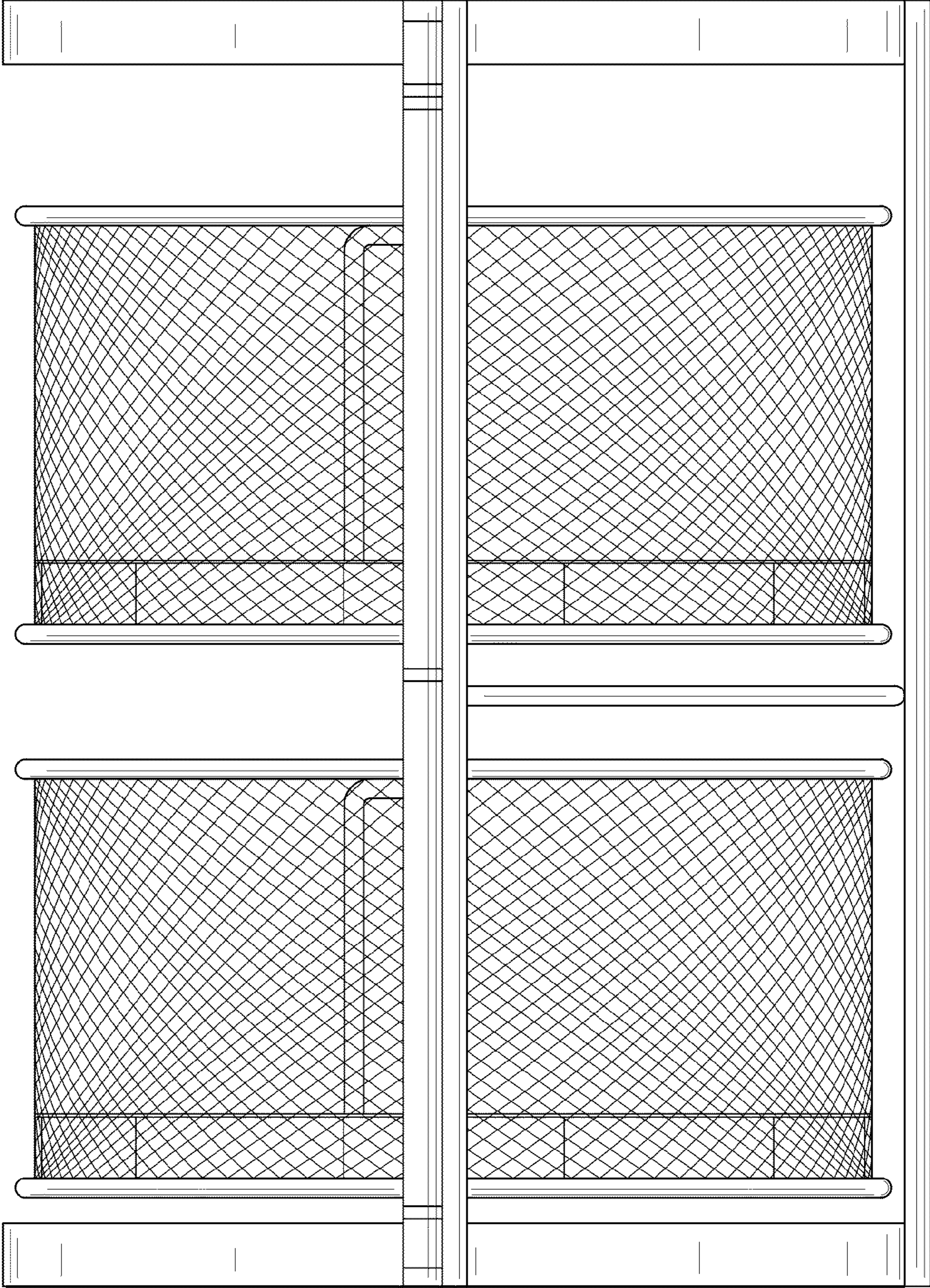


FIG. 3

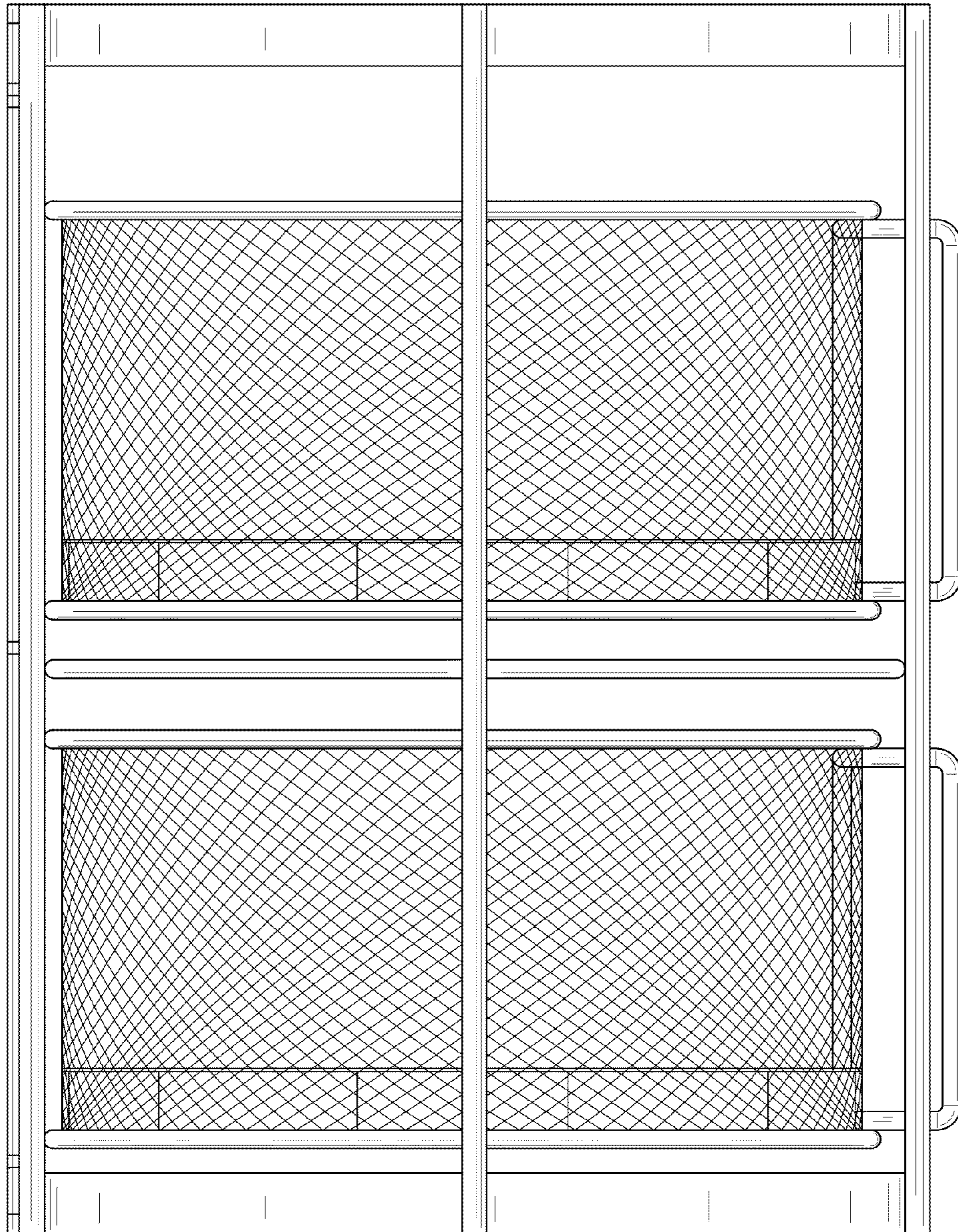


FIG. 4

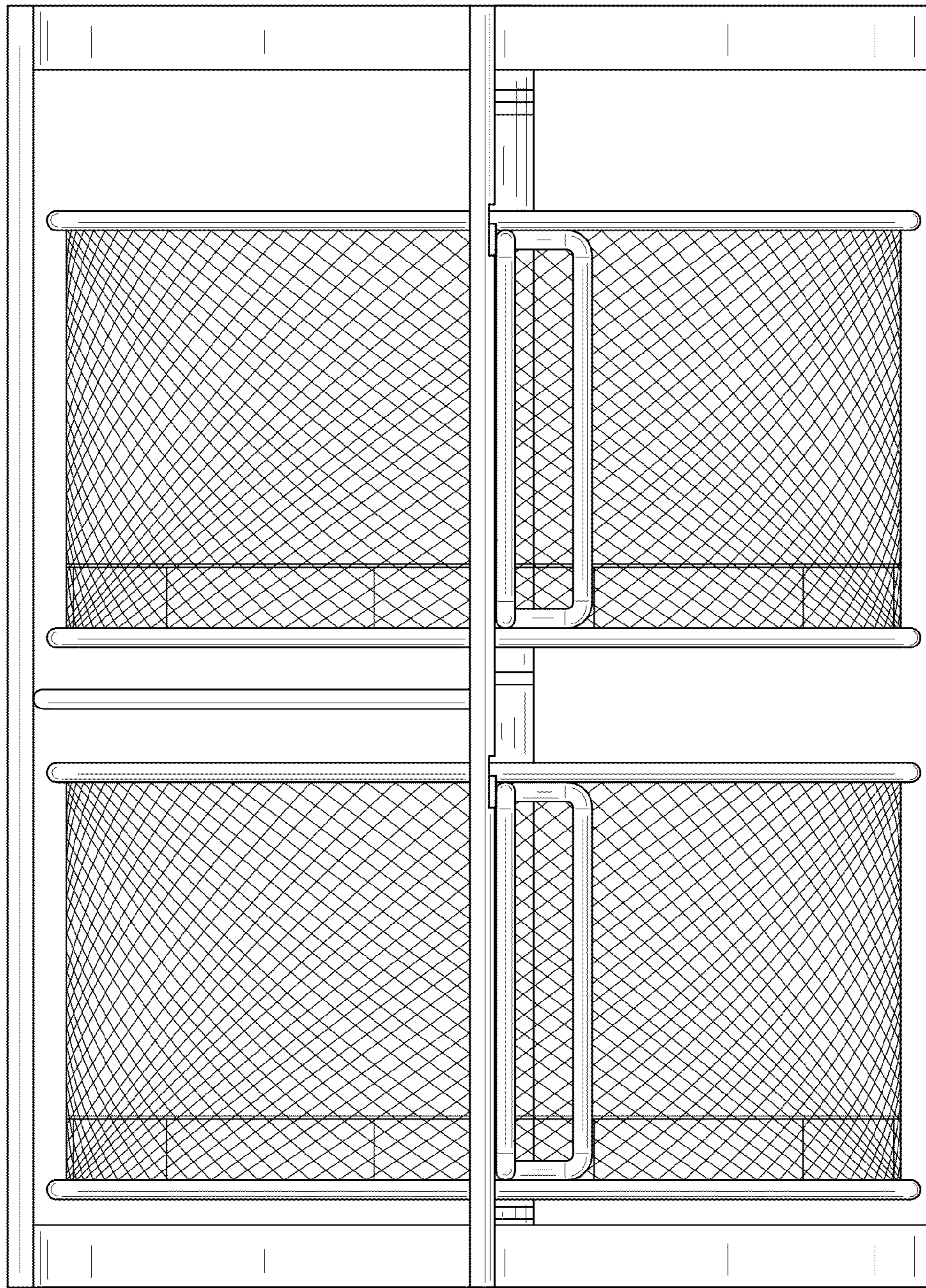


FIG. 5

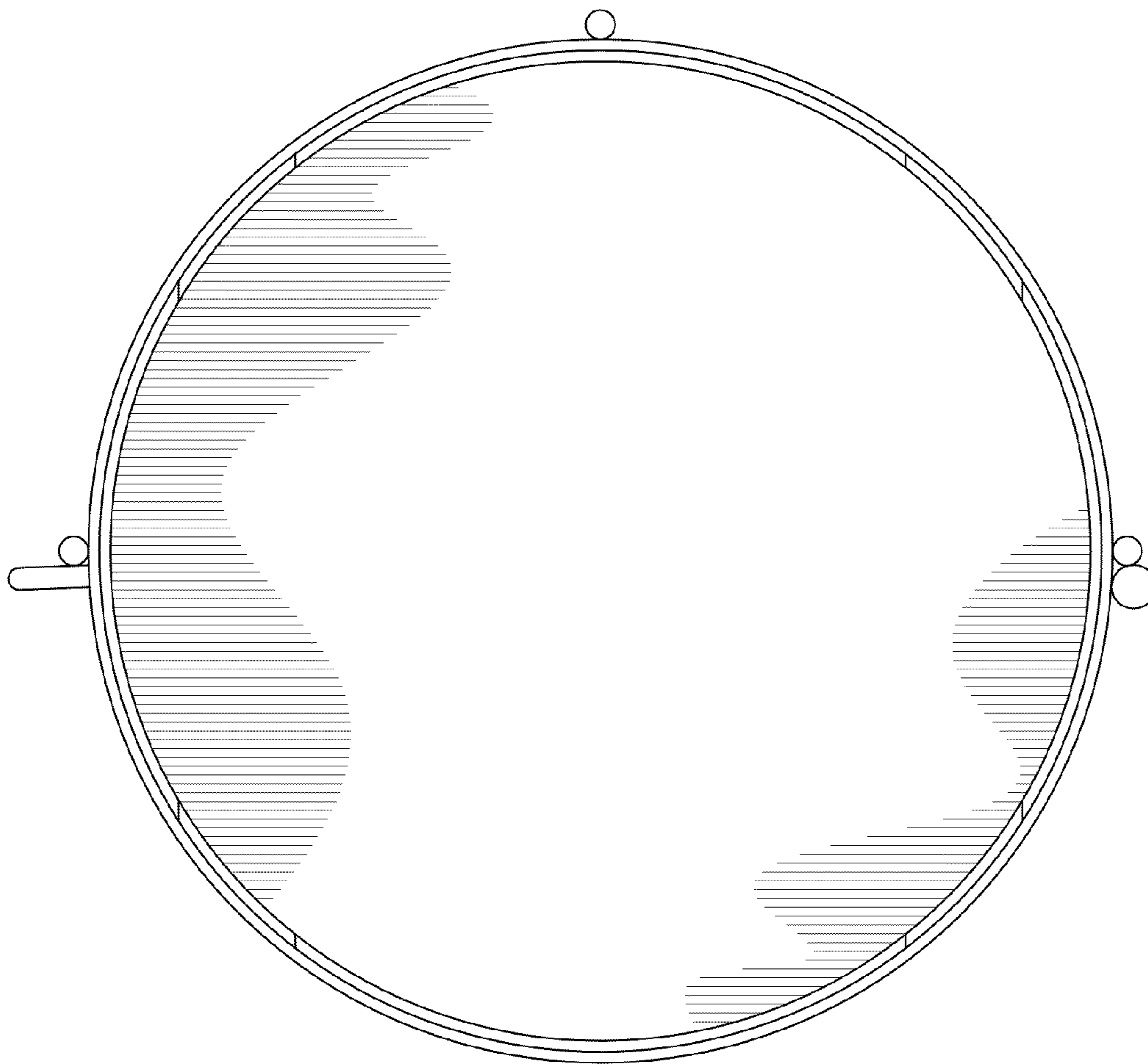


FIG. 6

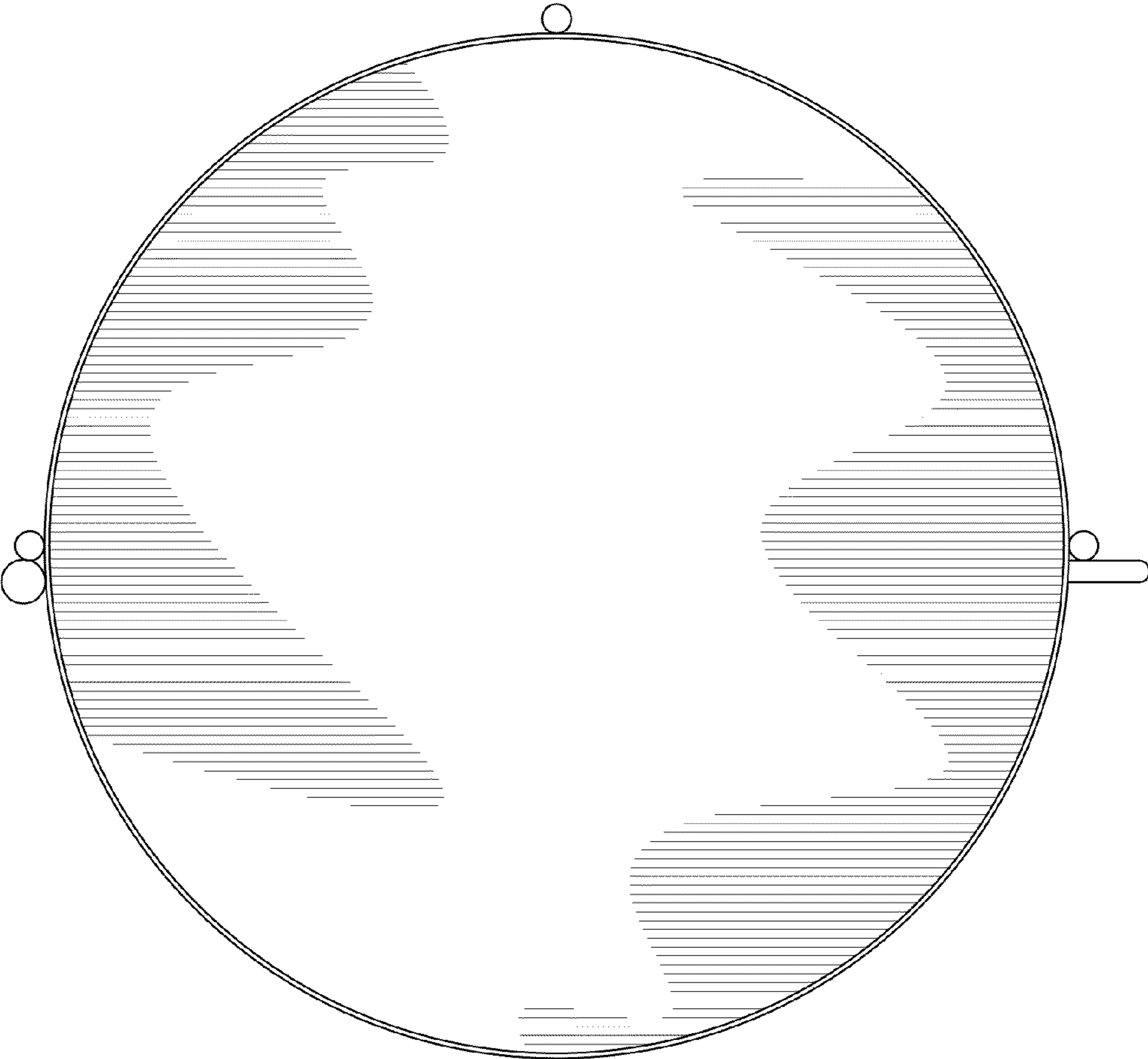


FIG. 7



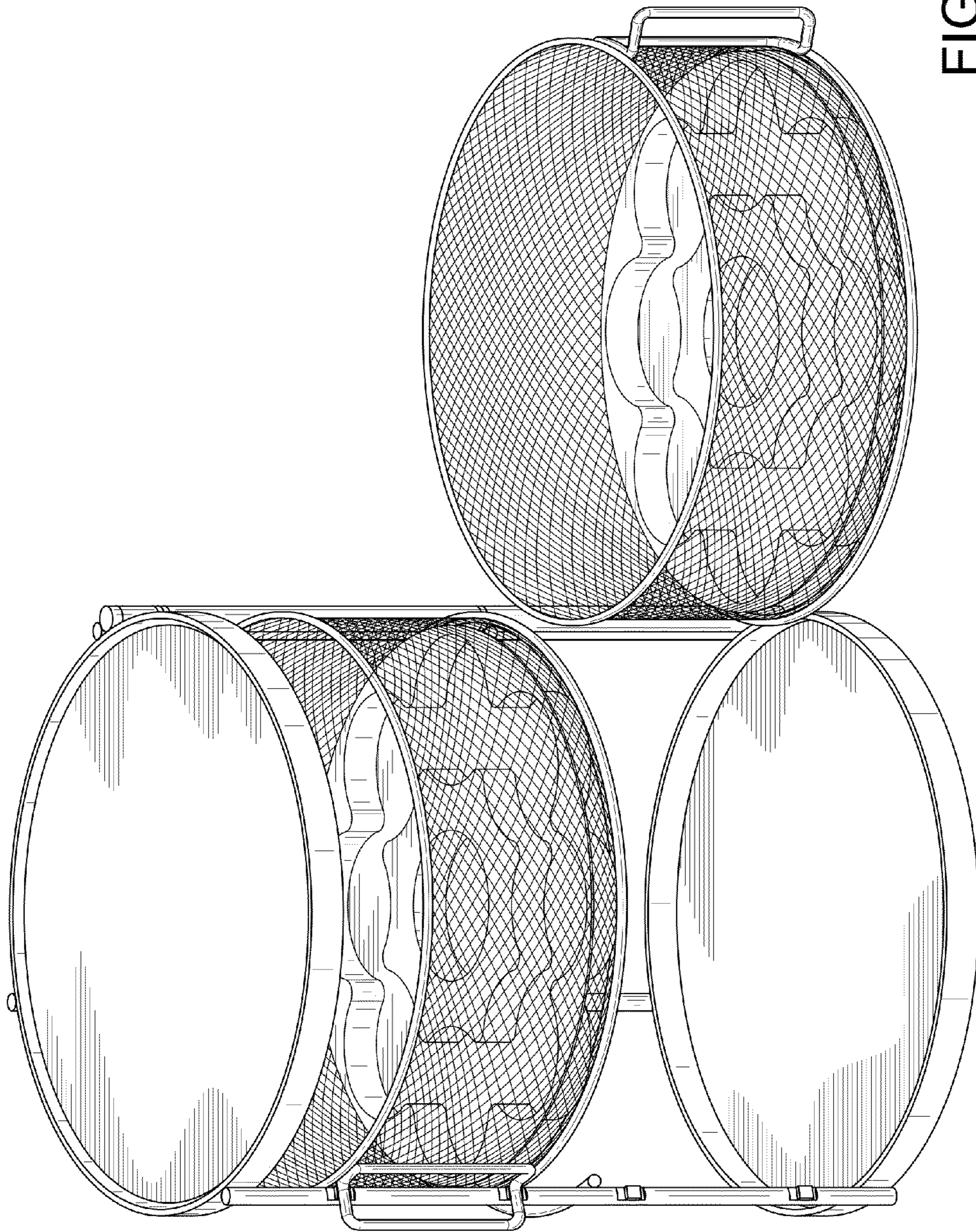


FIG. 8

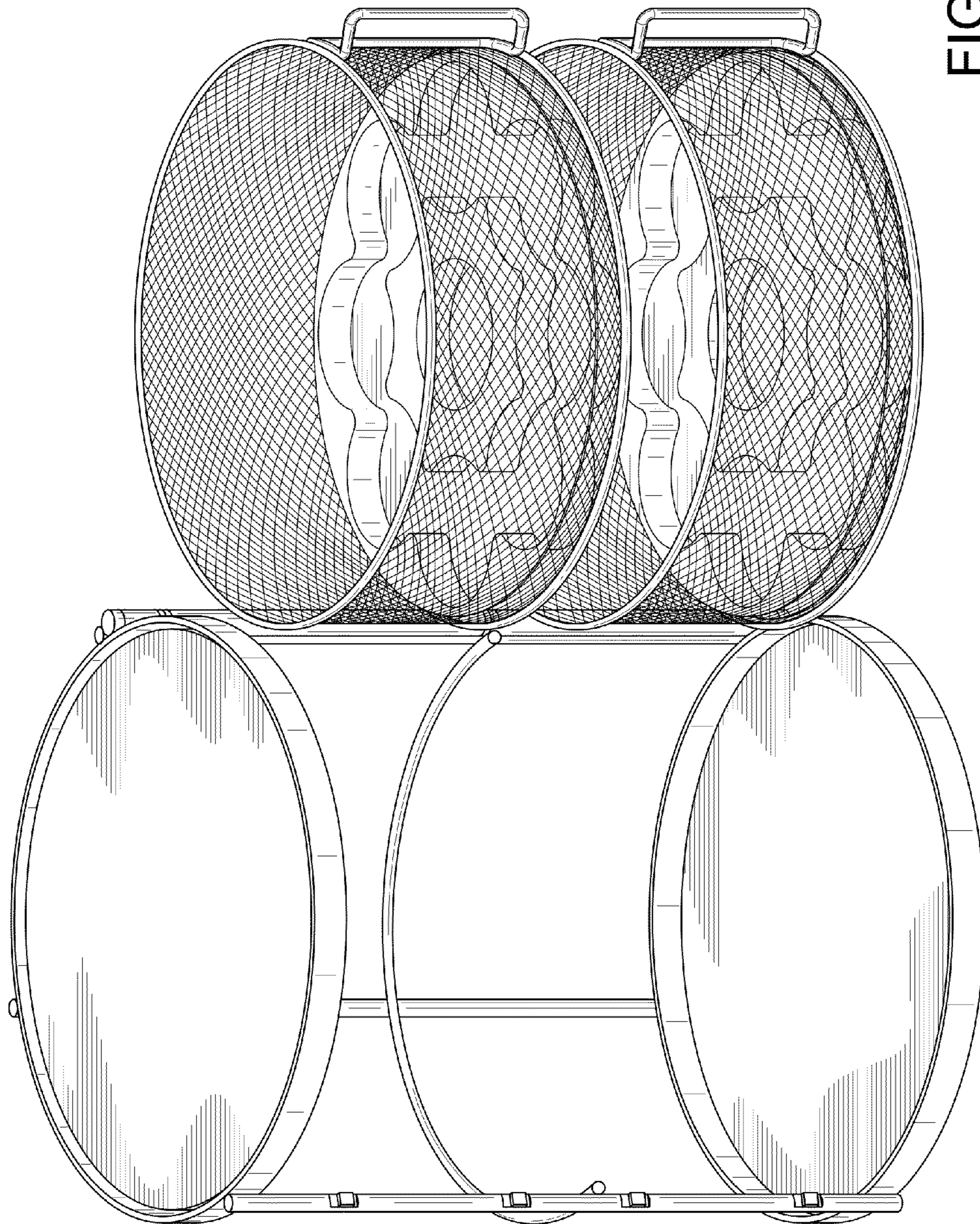


FIG. 9

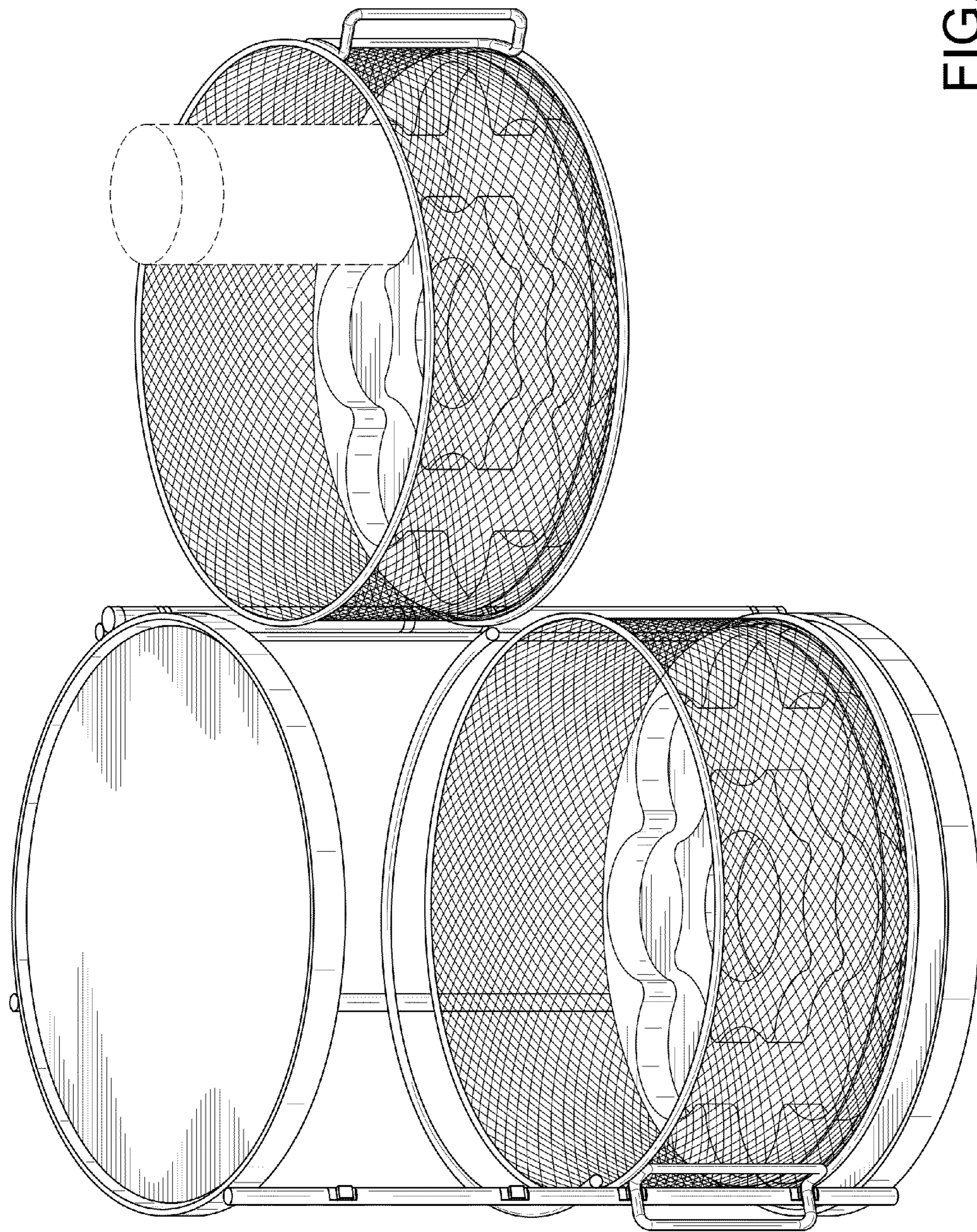


FIG. 10