



US00D743214S

(12) **United States Design Patent**
Hertaus

(10) **Patent No.:** **US D743,214 S**

(45) **Date of Patent:** **** Nov. 17, 2015**

(54) **SQUARE SPICE TOWER ORGANIZER**

D643,686 S * 8/2011 Tiemann D7/600.4
D691,858 S * 10/2013 Tiemann D7/600.4
D701,432 S * 3/2014 Tsai D7/600.4

(71) Applicant: **LIPPER INTERNATIONAL INC.**,
Wallingford, CT (US)

* cited by examiner

(72) Inventor: **Alan R. Hertaus**, Le Sueur, MN (US)

Primary Examiner — Terry Wallace

(73) Assignee: **LIPPER INTERNATIONAL INC.**,
Wallingford, CT (US)

(74) *Attorney, Agent, or Firm* — Lucas & Mercanti, LLP

(**) Term: **14 Years**

(57) **CLAIM**

The ornamental design for a square spice tower organizer, as shown and described.

(21) Appl. No.: **29/489,379**

DESCRIPTION

(22) Filed: **Apr. 29, 2014**

(51) **LOC (10) Cl.** **07-06**

(52) **U.S. Cl.**
USPC **D7/600.4**

(58) **Field of Classification Search**
USPC D7/600.1–600.4; D6/657, 663, 668,
D6/668.1, 668.2, 677.2, 705, 705.6;
211/126.15, 126.8, 133.2, 150, 74,
211/181.1; 312/249.11

CPC A47B 88/0451

See application file for complete search history.

(56) **References Cited**

U.S. PATENT DOCUMENTS

D110,146 S * 6/1938 Hume D6/465
D423,251 S * 4/2000 Black D6/668.2

FIG. 1 is a front perspective view of a square spice tower organizer;

FIG. 2 is a front view of the square spice tower organizer;

FIG. 3 is a first side view of the square spice tower organizer;

FIG. 4 is a rear view of the square spice tower organizer;

FIG. 5 is a second side view of the square spice tower organizer;

FIG. 6 is a top view of the square spice tower organizer;

FIG. 7 is a bottom view of the square spice tower organizer;

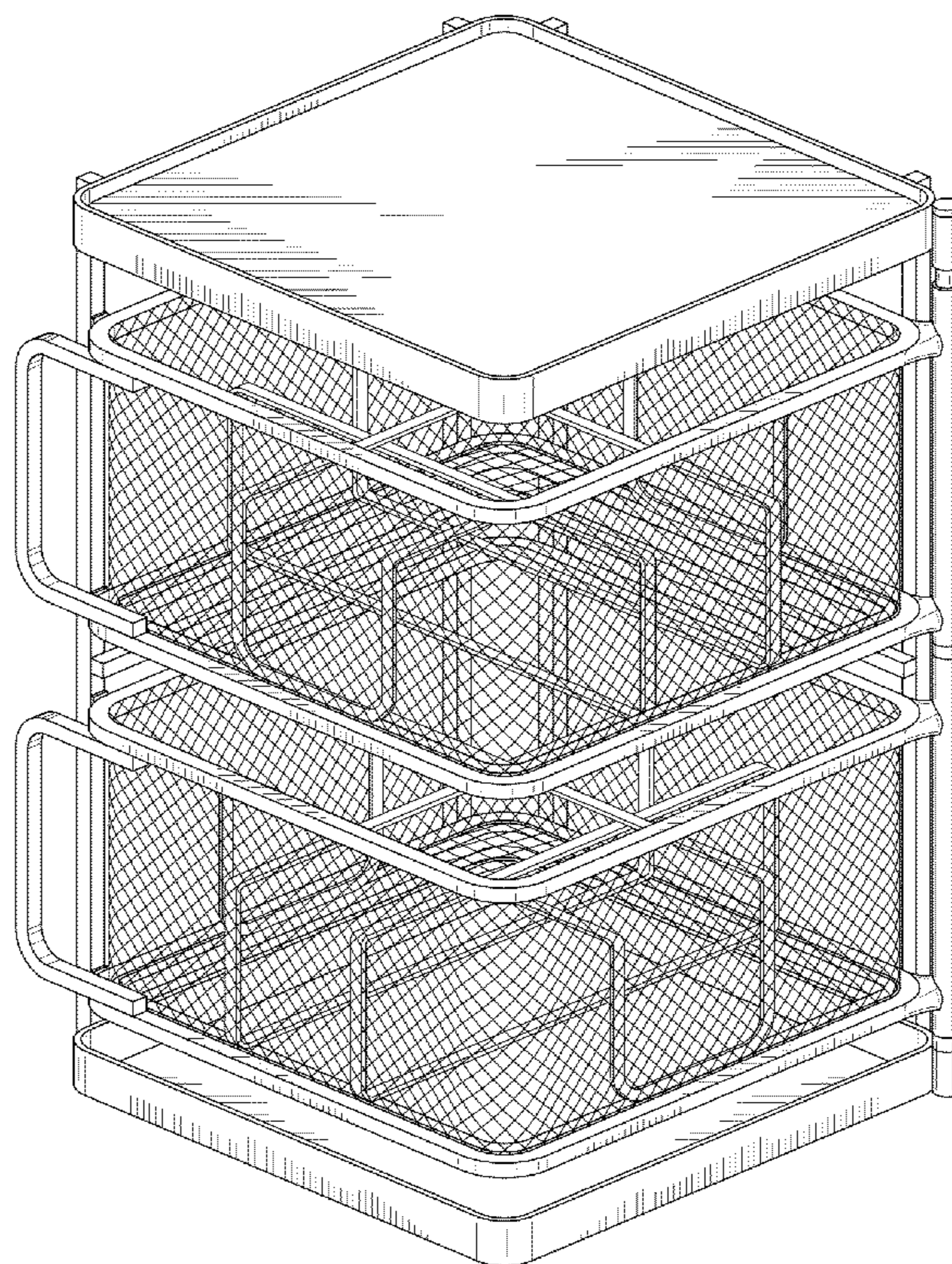
FIG. 8 is a front perspective view of the square spice tower organizer with the top drawer closed and bottom drawer open;

FIG. 9 is a front perspective view of the square spice tower organizer with the top and bottom drawers open; and,

FIG. 10 is a front perspective view of the square spice tower organizer in use with the top drawer open and containing a spice jar.

The broken lines are for illustrative purposes only and form no part of the claimed design.

1 Claim, 10 Drawing Sheets



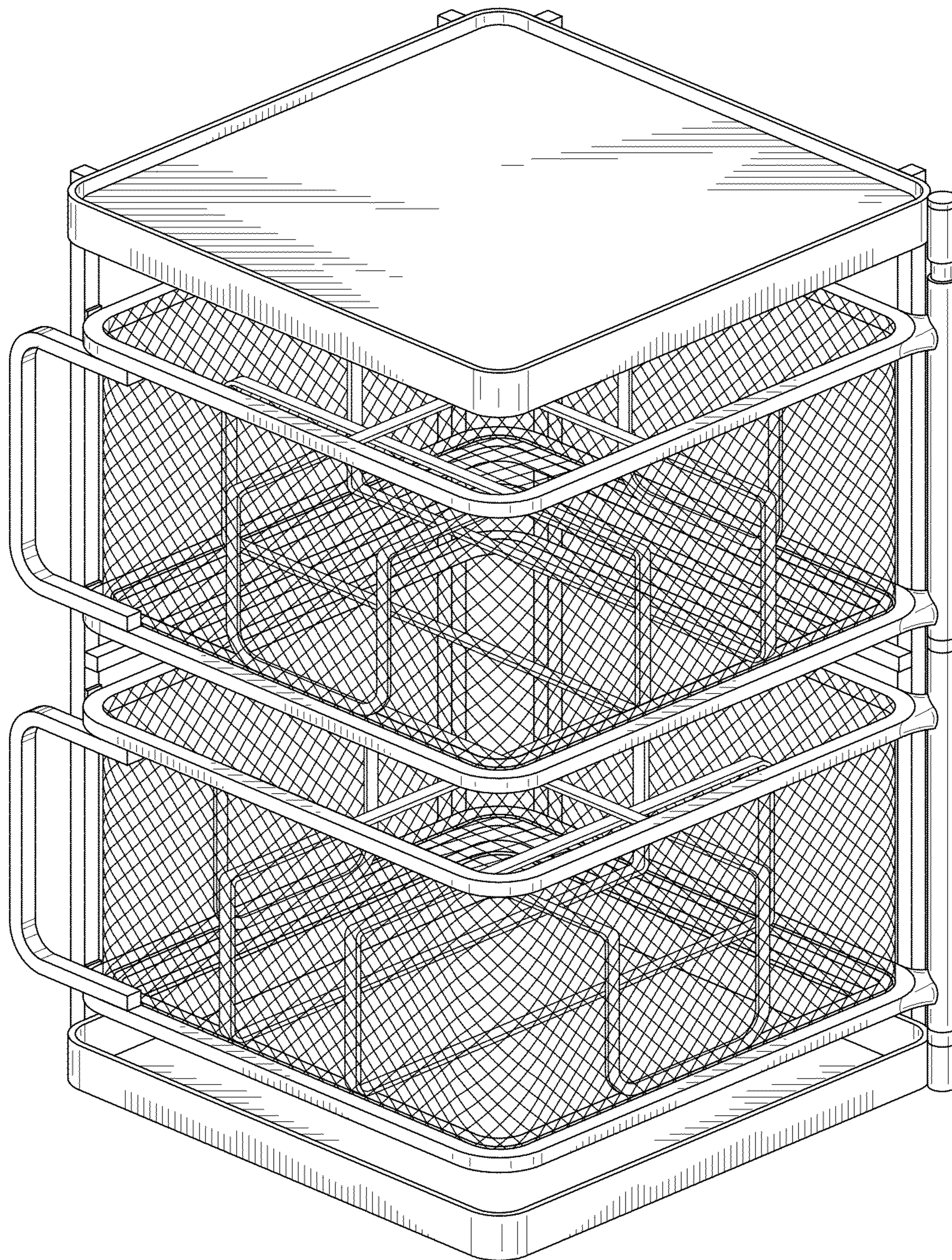


FIG. 1

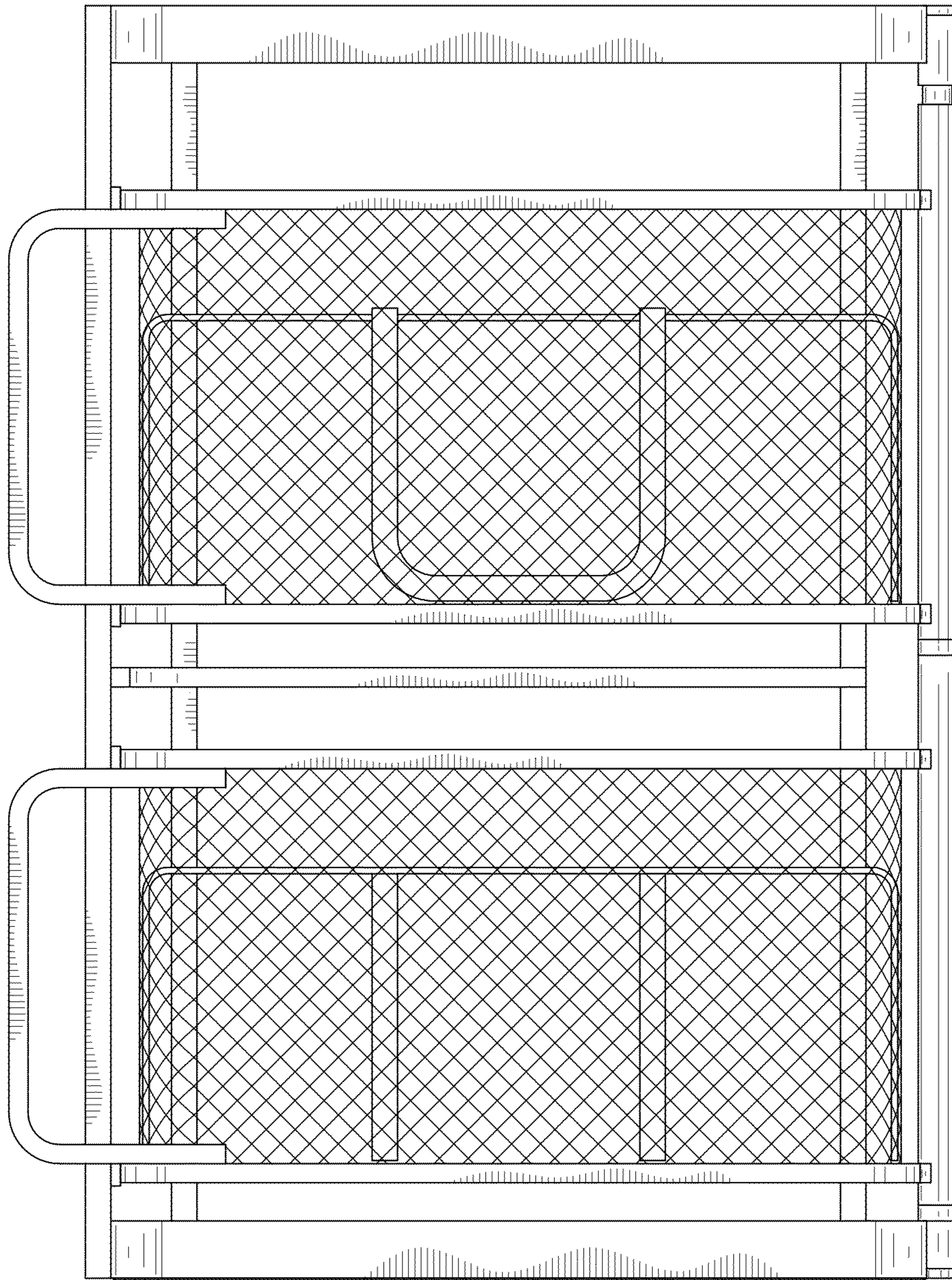


FIG. 2

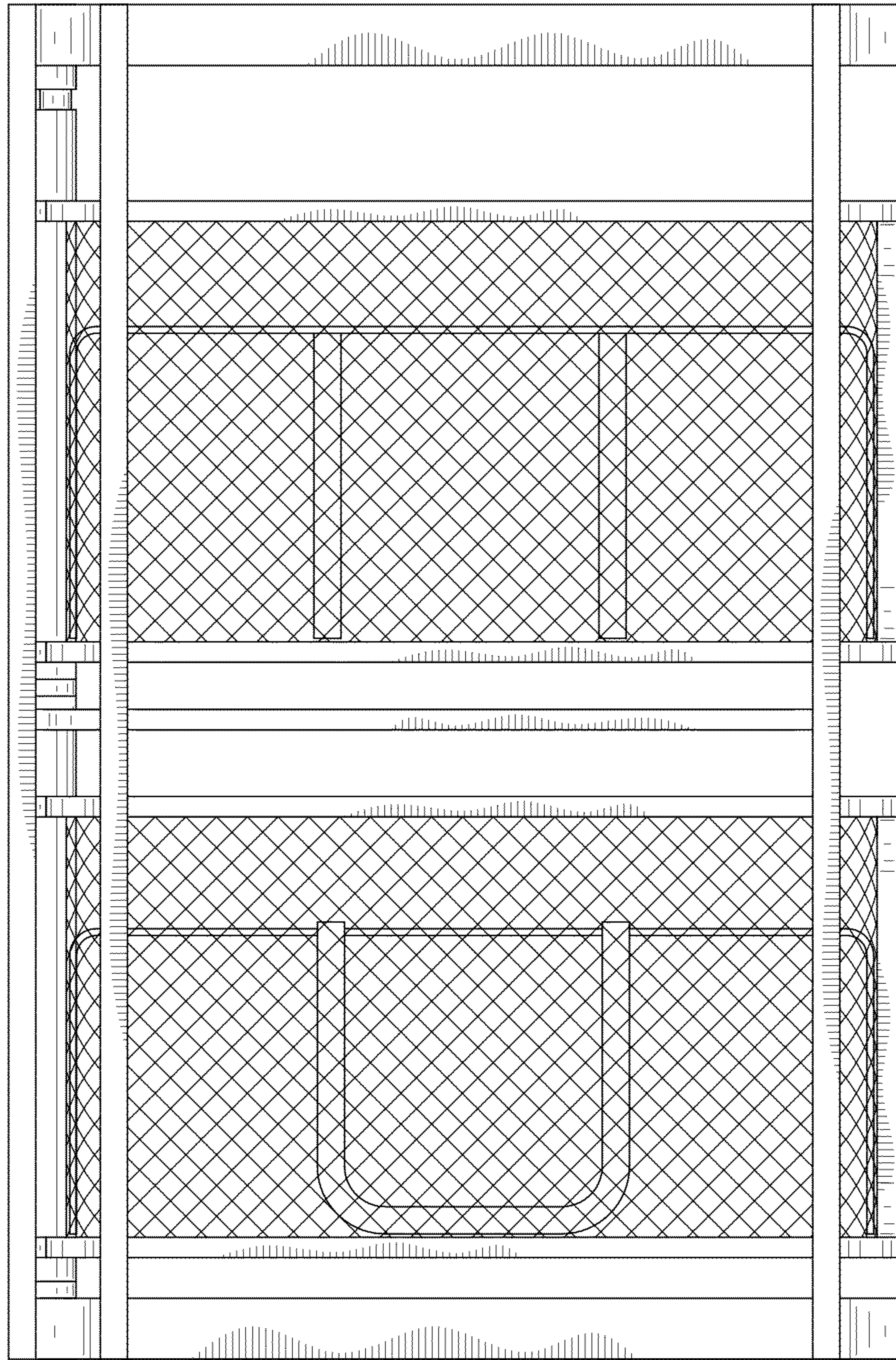


FIG. 3

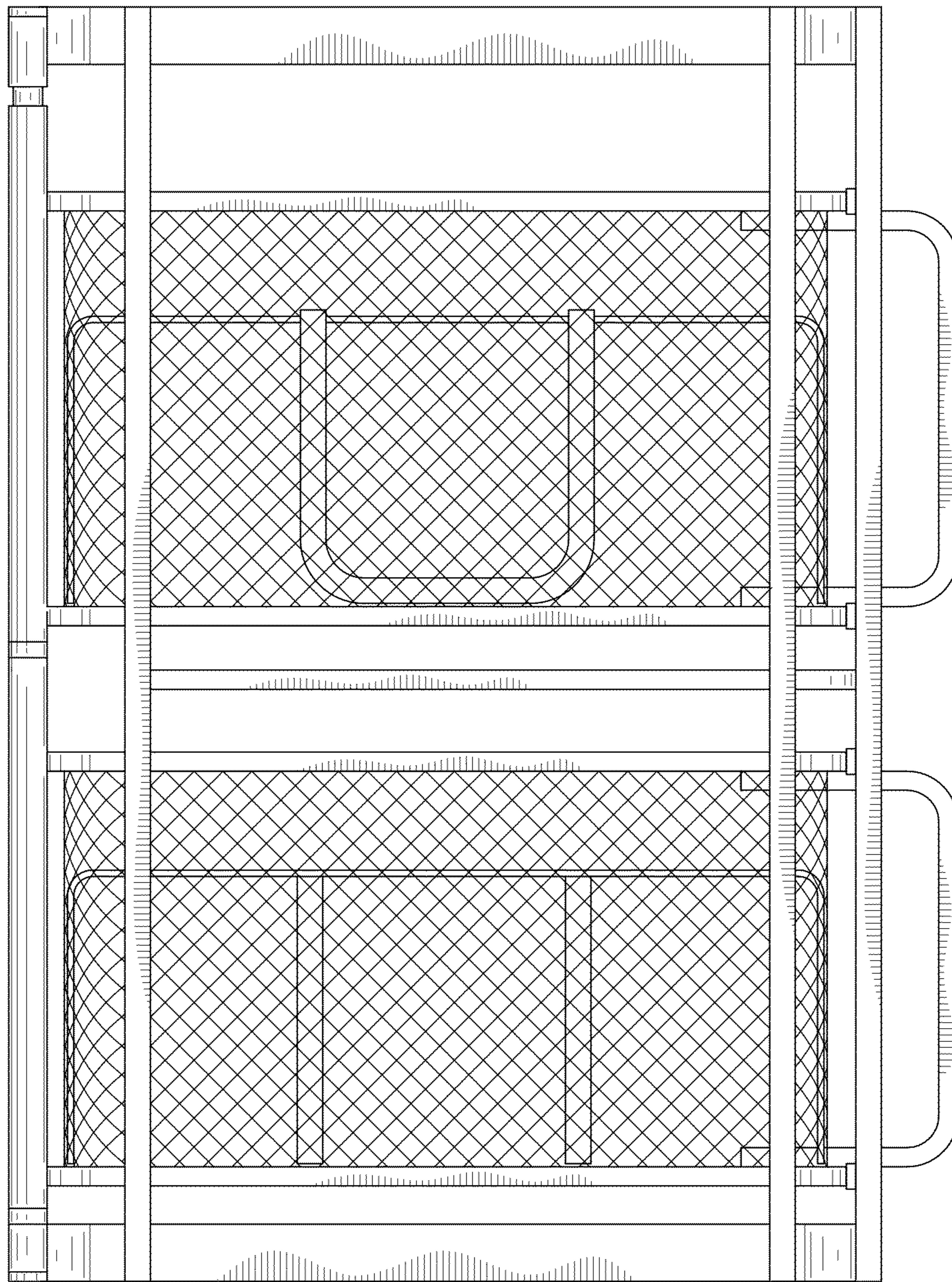


FIG. 4

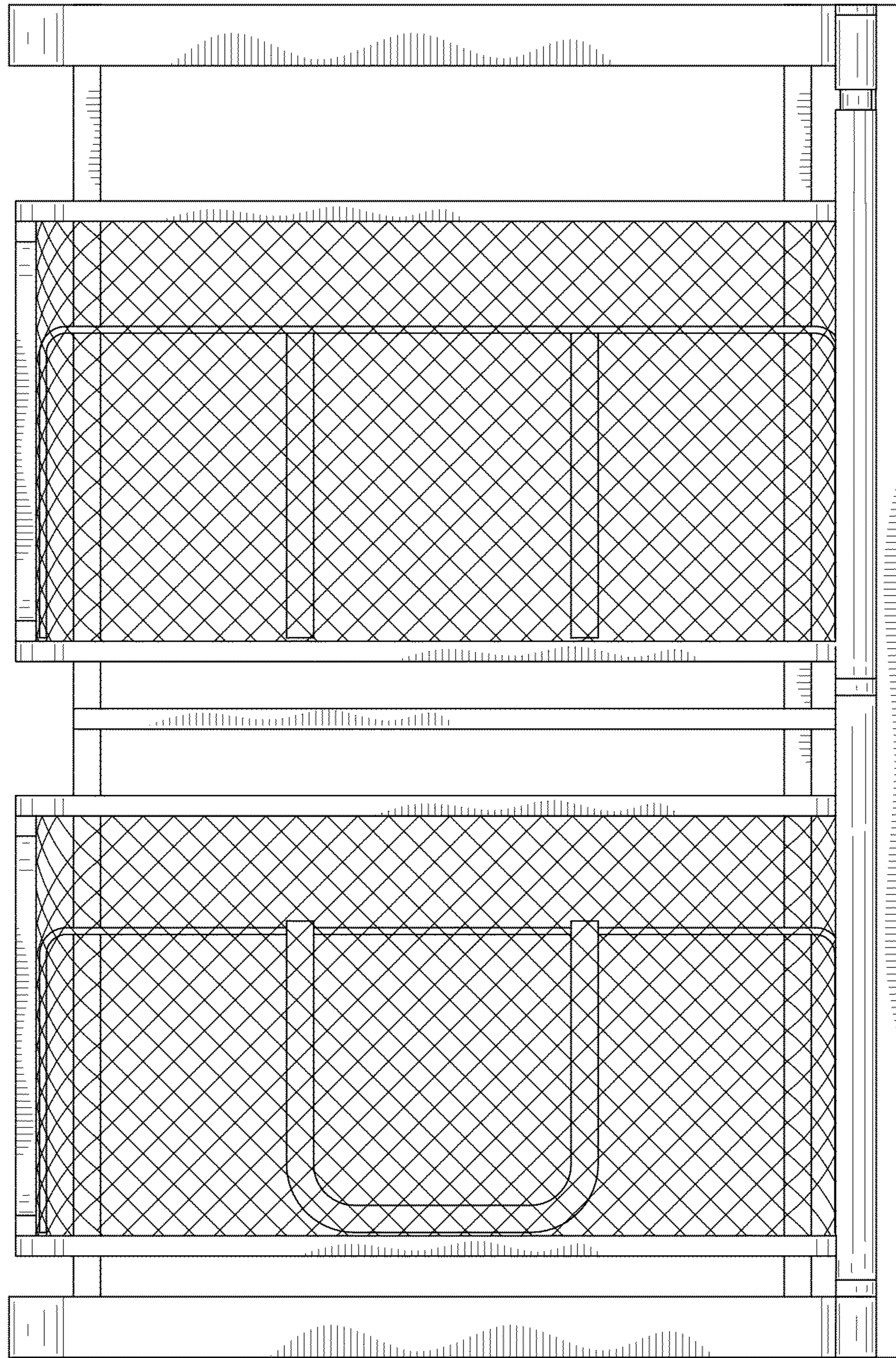


FIG. 5

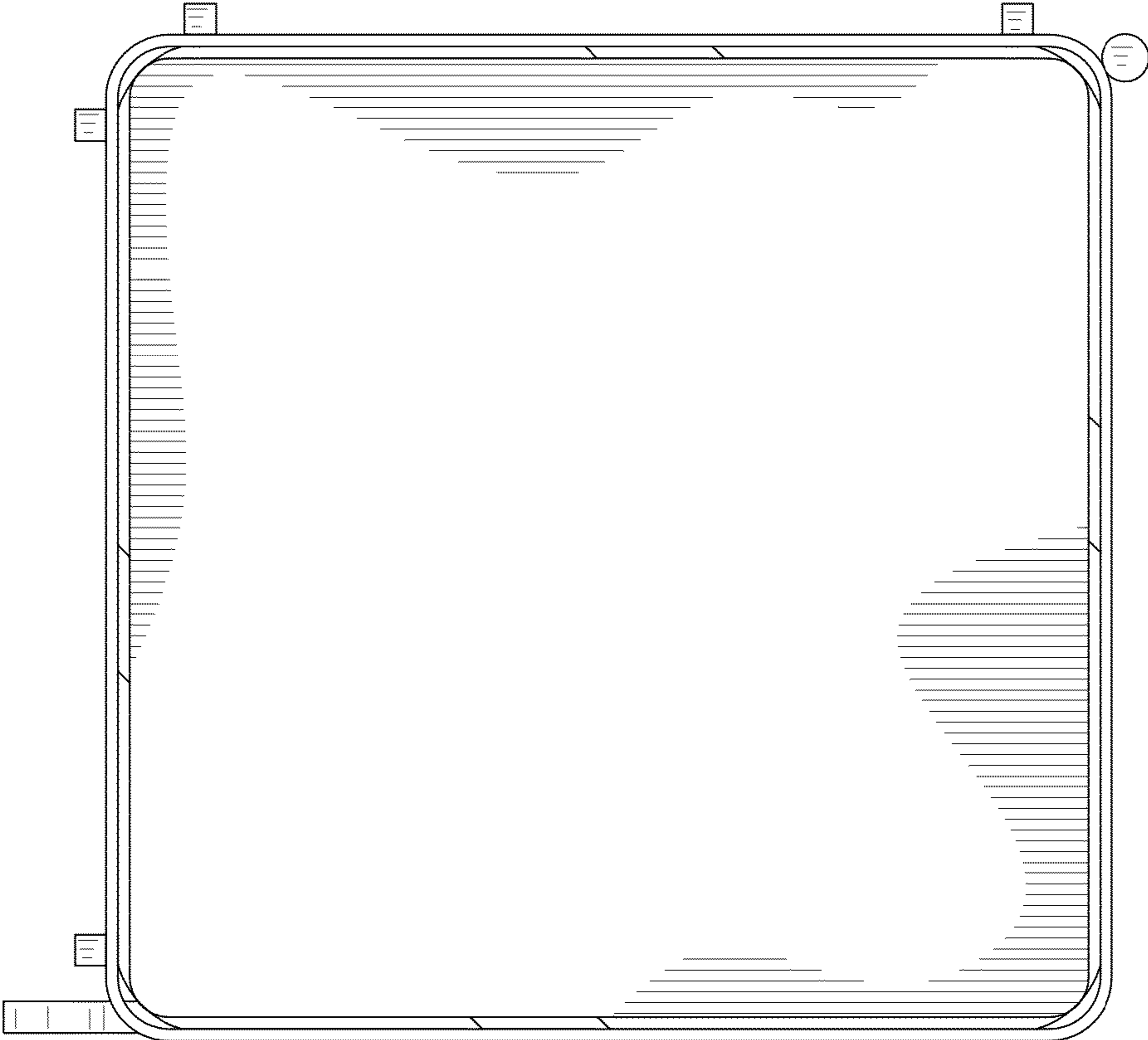


FIG. 6

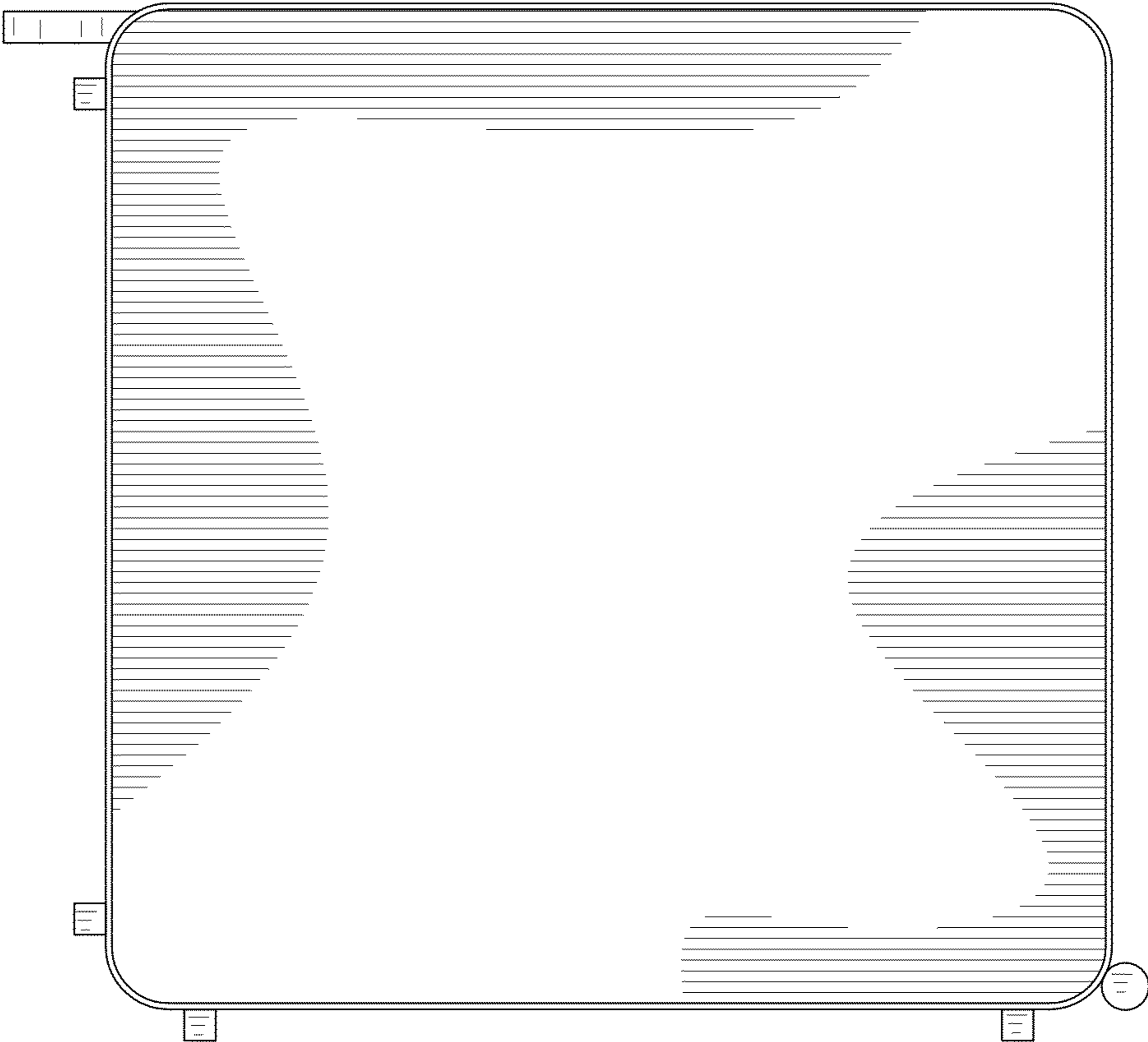


FIG. 7

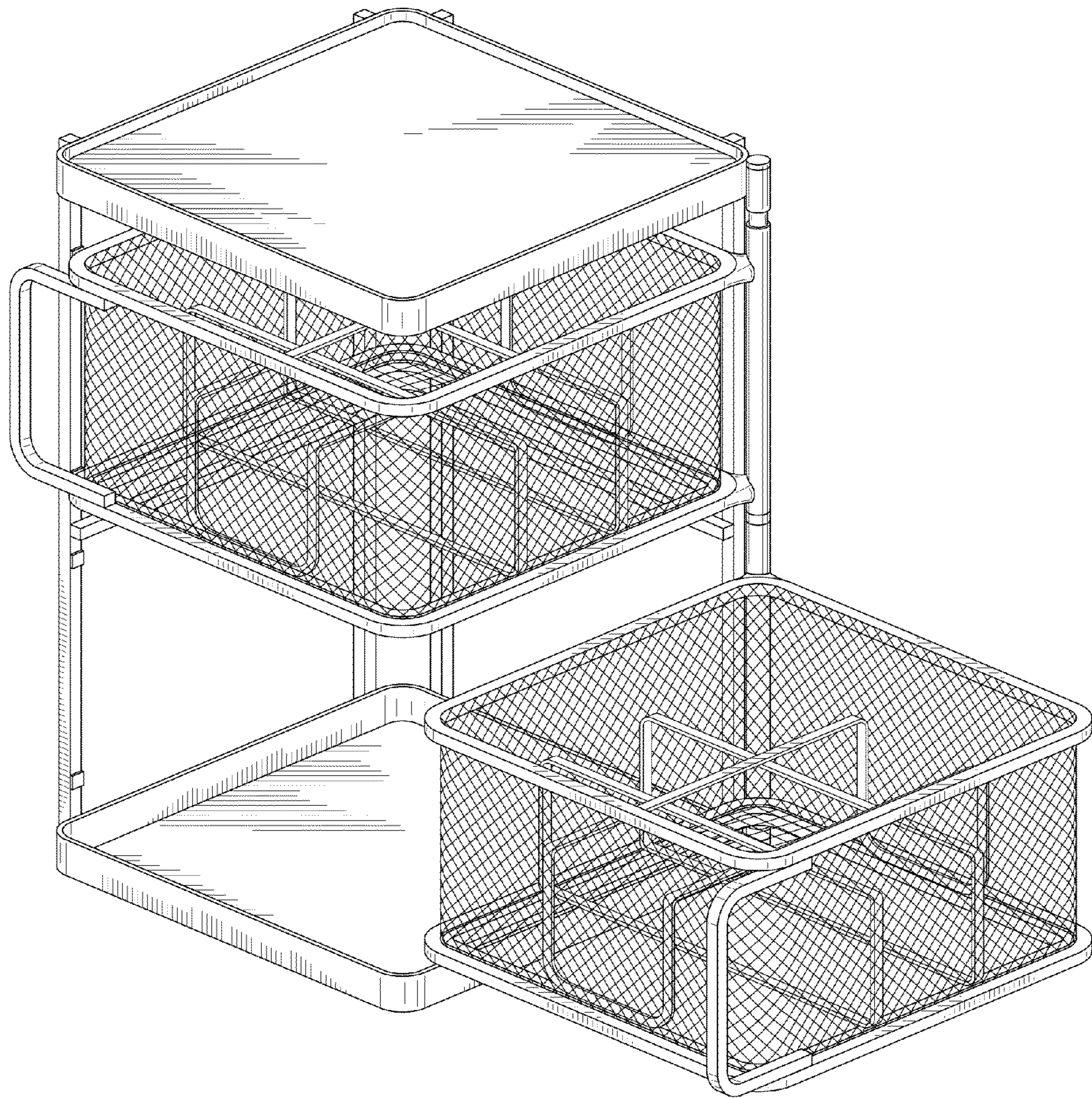


FIG. 8

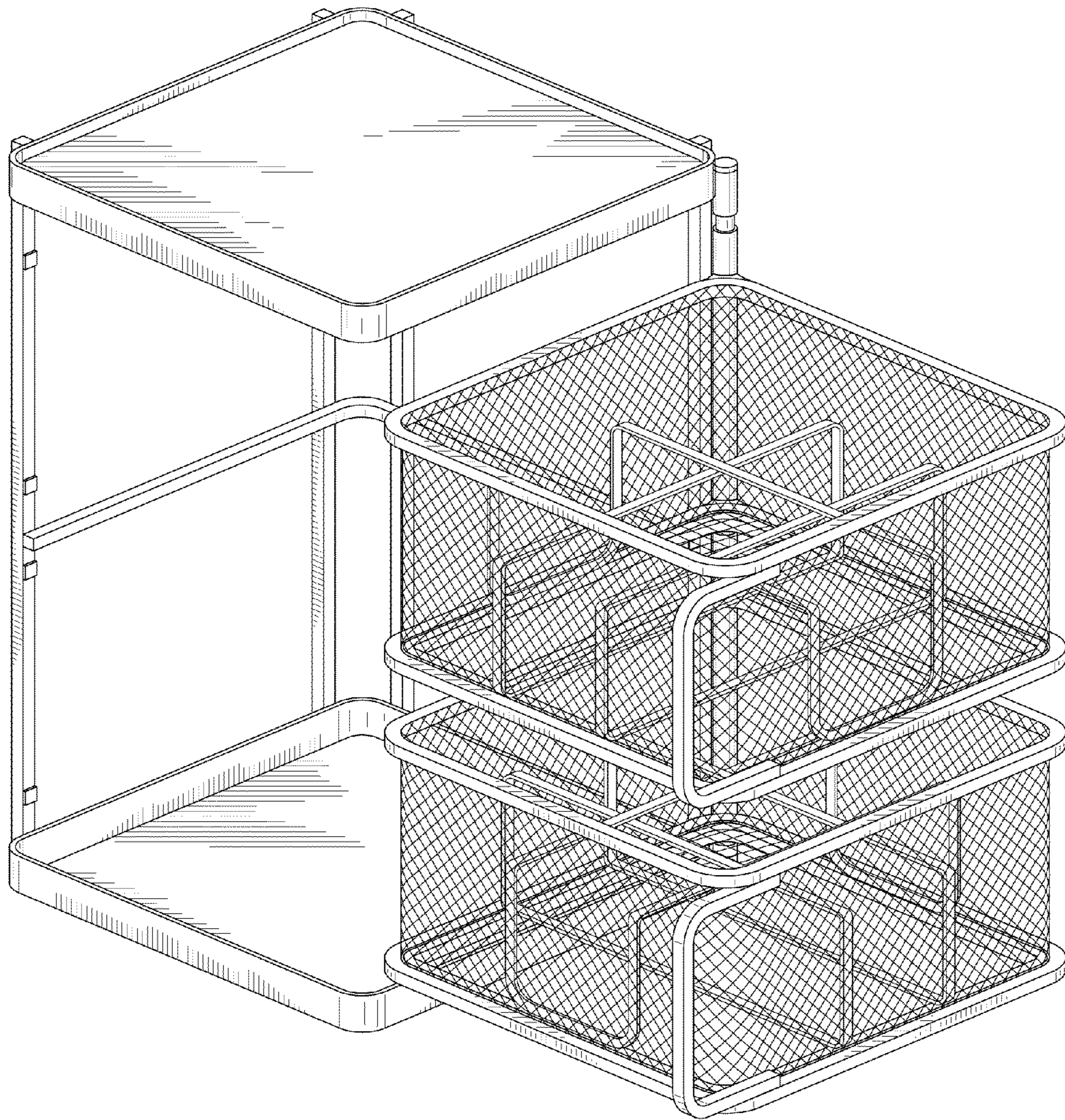


FIG. 9

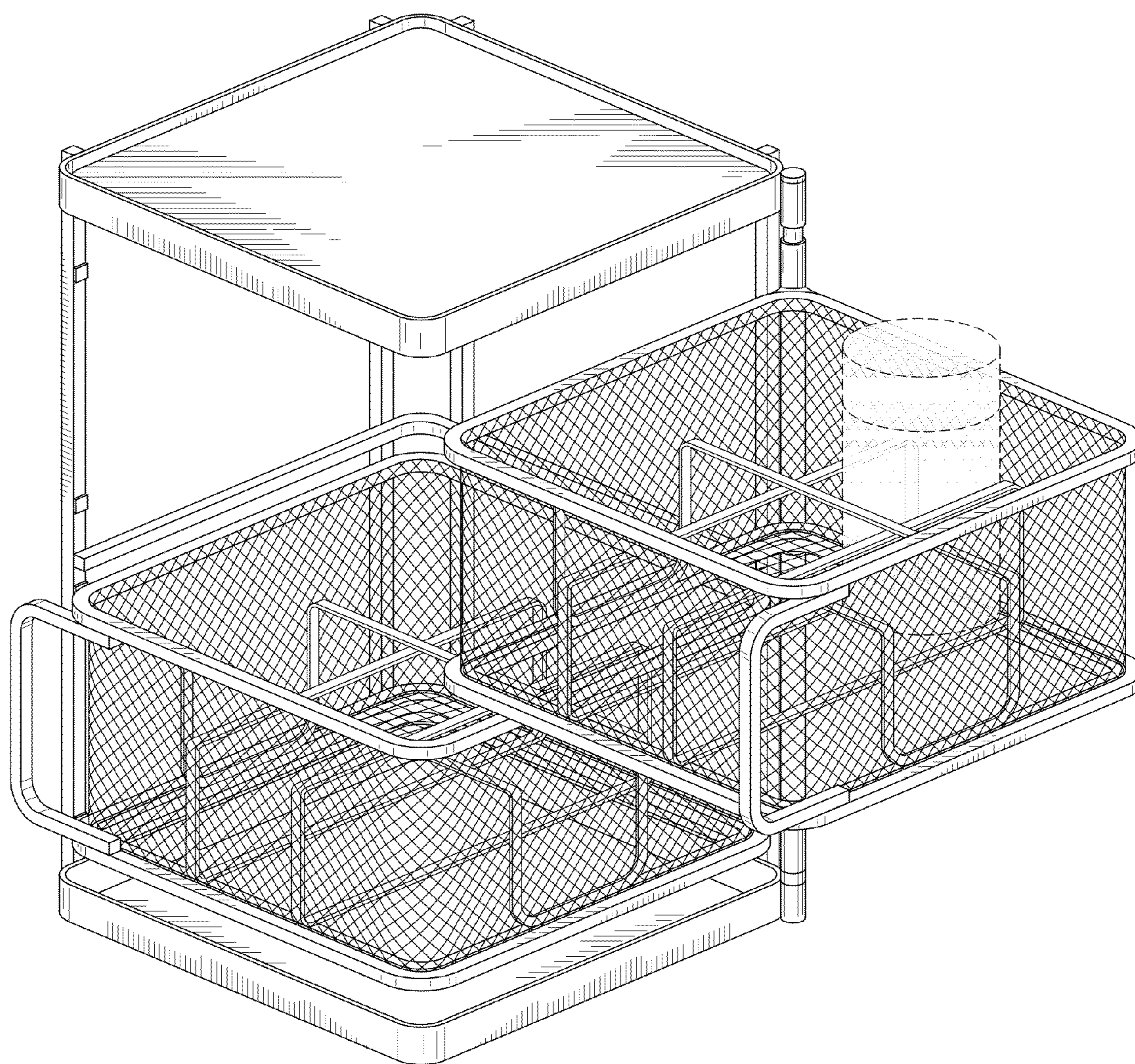


FIG. 10