



US00D743211S

(12) **United States Design Patent**
Choi

(10) **Patent No.:** **US D743,211 S**

(45) **Date of Patent:** **** Nov. 17, 2015**

- (54) **PAPER ICE CREAM PLATE**
- (71) Applicant: **Brandon Young Choi**, Seoul (KR)
- (72) Inventor: **Brandon Young Choi**, Seoul (KR)
- (**) Term: **14 Years**
- (21) Appl. No.: **29/496,033**
- (22) Filed: **Jul. 8, 2014**
- (51) **LOC (10) Cl.** **07-01**
- (52) **U.S. Cl.**
USPC **D7/554.3; D7/584**
- (58) **Field of Classification Search**
USPC D7/584, 500, 560, 554.3, 550.1, 538,
D7/571, 587, 586; 220/574; D30/129;
D3/304; D9/414, 433; D19/22, 102,
D19/86, 95
CPC A47G 19/02; A47G 19/06; A47G 23/06;
B65D 1/34; B65D 1/225; B65D 1/00; B65D
5/00; B65D 5/42; A01K 5/0142; A01K
5/0114
See application file for complete search history.

(56) **References Cited**

U.S. PATENT DOCUMENTS

D483,071 S *	12/2003	Chen	D19/86
D526,851 S *	8/2006	Groff	D7/552.1
D563,155 S *	3/2008	Wyllie	D7/387
D575,989 S *	9/2008	McFarland	D7/554.3
D607,281 S *	1/2010	Meyers	D30/129

D640,099 S *	6/2011	Marshall	D7/584
D641,210 S *	7/2011	Hamilton	D7/554.3
8,006,843 B1 *	8/2011	McFarland	B65D 1/34 206/503
D678,052 S *	3/2013	Bakker	D9/433
D711,601 S *	8/2014	Robbins	D30/161
D714,139 S *	9/2014	Genender	D9/433
D715,641 S *	10/2014	Spinosa	D9/432
D723,618 S *	3/2015	Rowe	D19/86
D729,621 S *	5/2015	Merrick	D9/432
D738,723 S *	9/2015	Quoss	D9/433

* cited by examiner

Primary Examiner — Cynthia Underwood

(74) *Attorney, Agent, or Firm* — East West Law Group;
Heedong Chae

(57) **CLAIM**

The ornamental design for a paper ice cream plate, as shown and described.

DESCRIPTION

FIG. 1 is a perspective view of a paper ice cream plate showing my new design;
 FIG. 2 is a front elevational view thereof;
 FIG. 3 is a rear elevational view thereof;
 FIG. 4 is a left side elevational view thereof;
 FIG. 5 is a right side elevational view thereof;
 FIG. 6 is a top plan view thereof;
 FIG. 7 is a bottom plan view thereof; and,
 FIG. 8 is an unfolded view thereof.
 The broken lines represent fold lines and form no part of the claim.

1 Claim, 4 Drawing Sheets

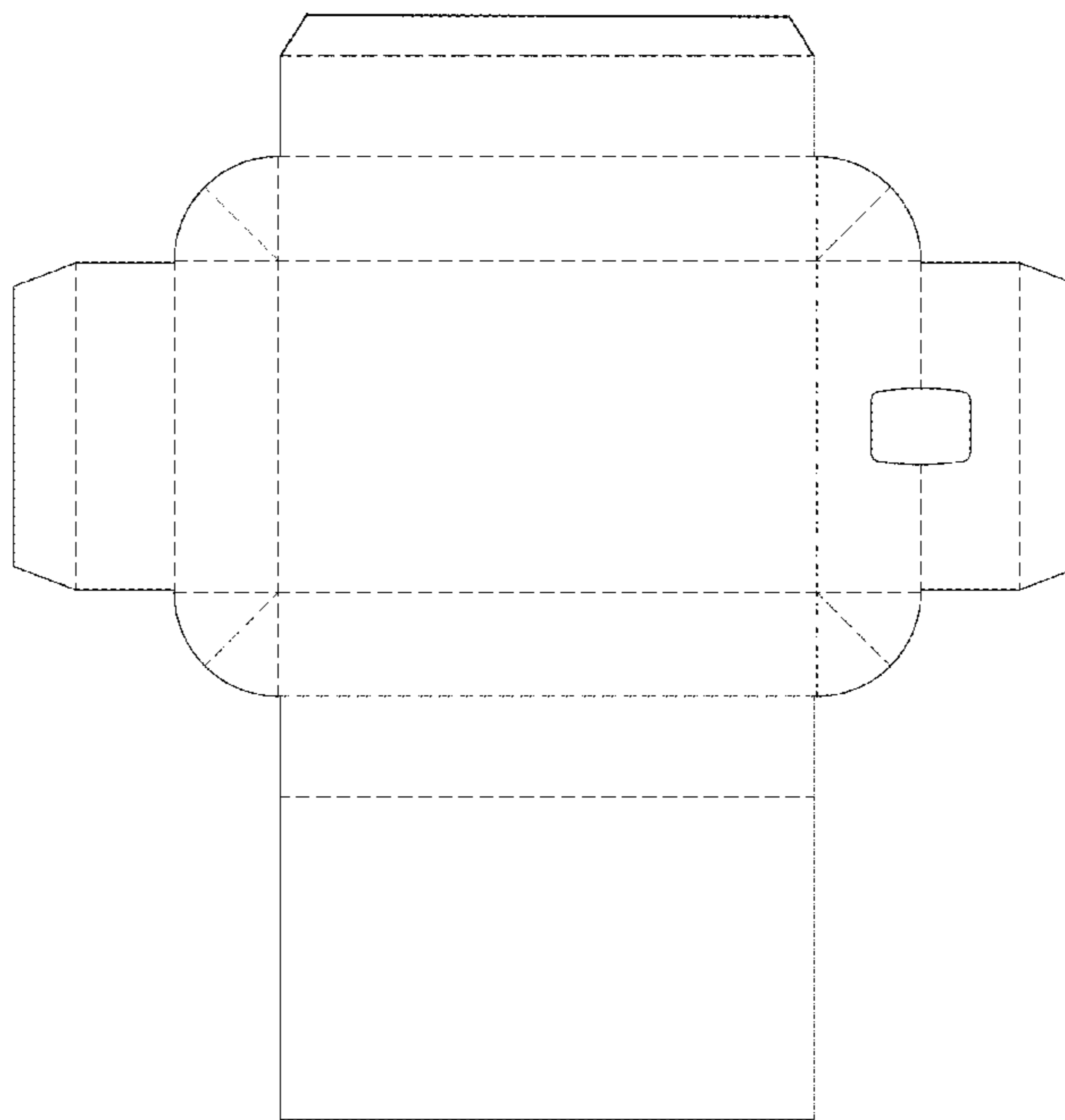
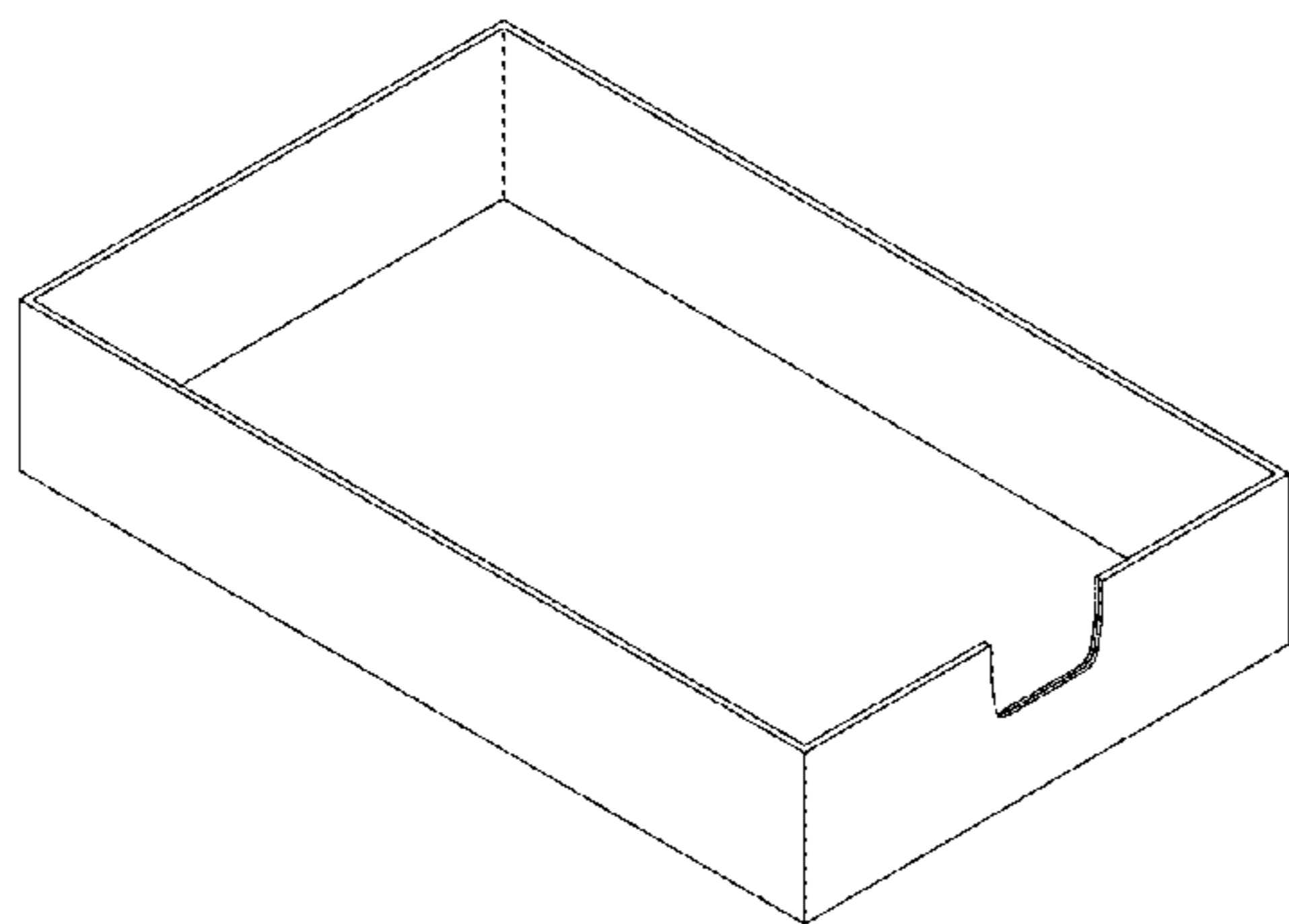


FIG. 1

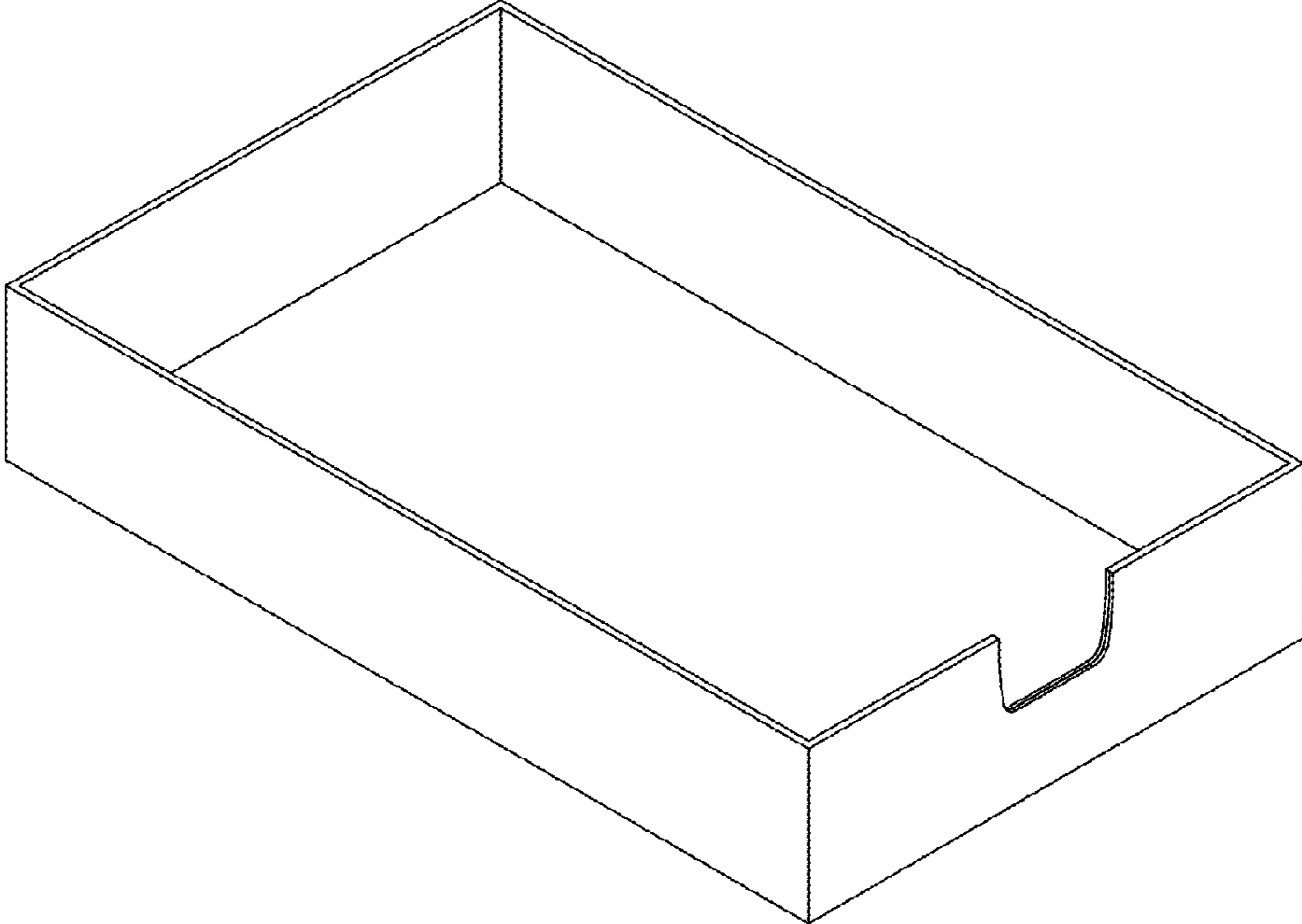


FIG.2

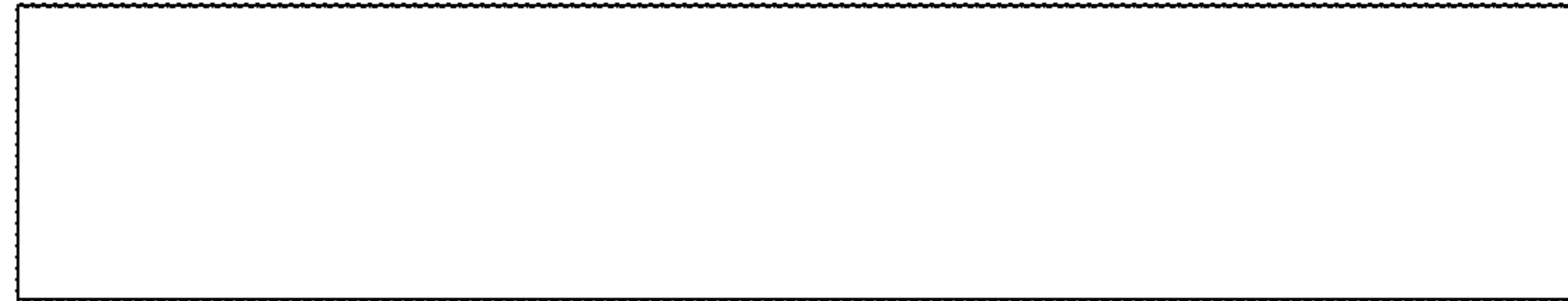


FIG.3



FIG.4



FIG.5

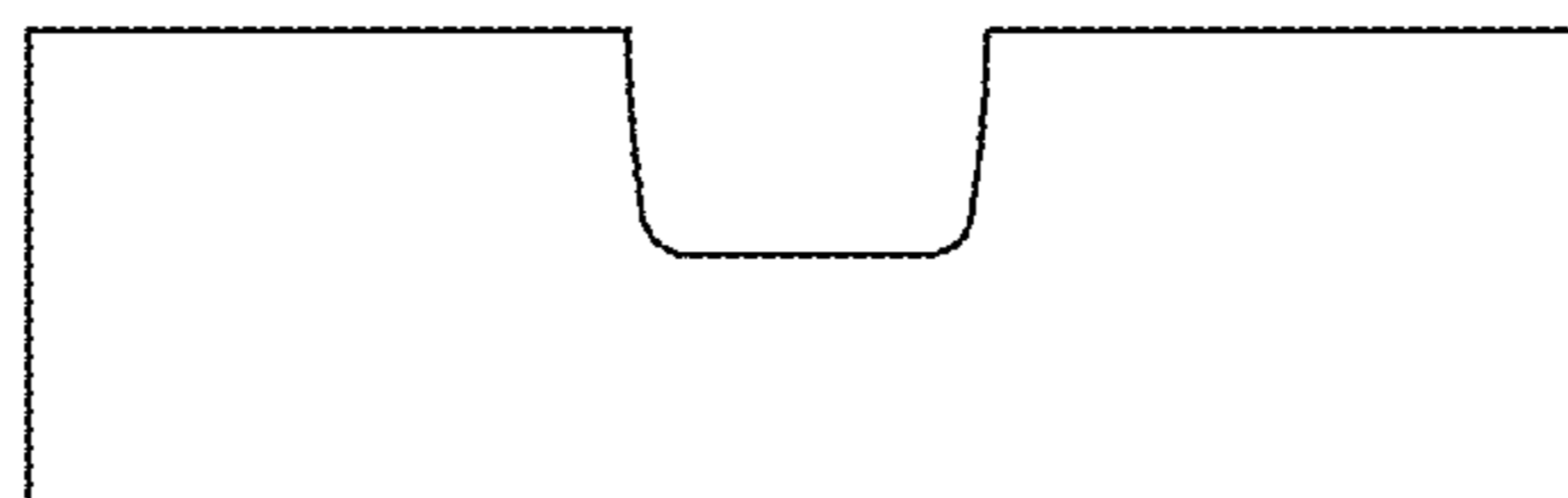


FIG.6

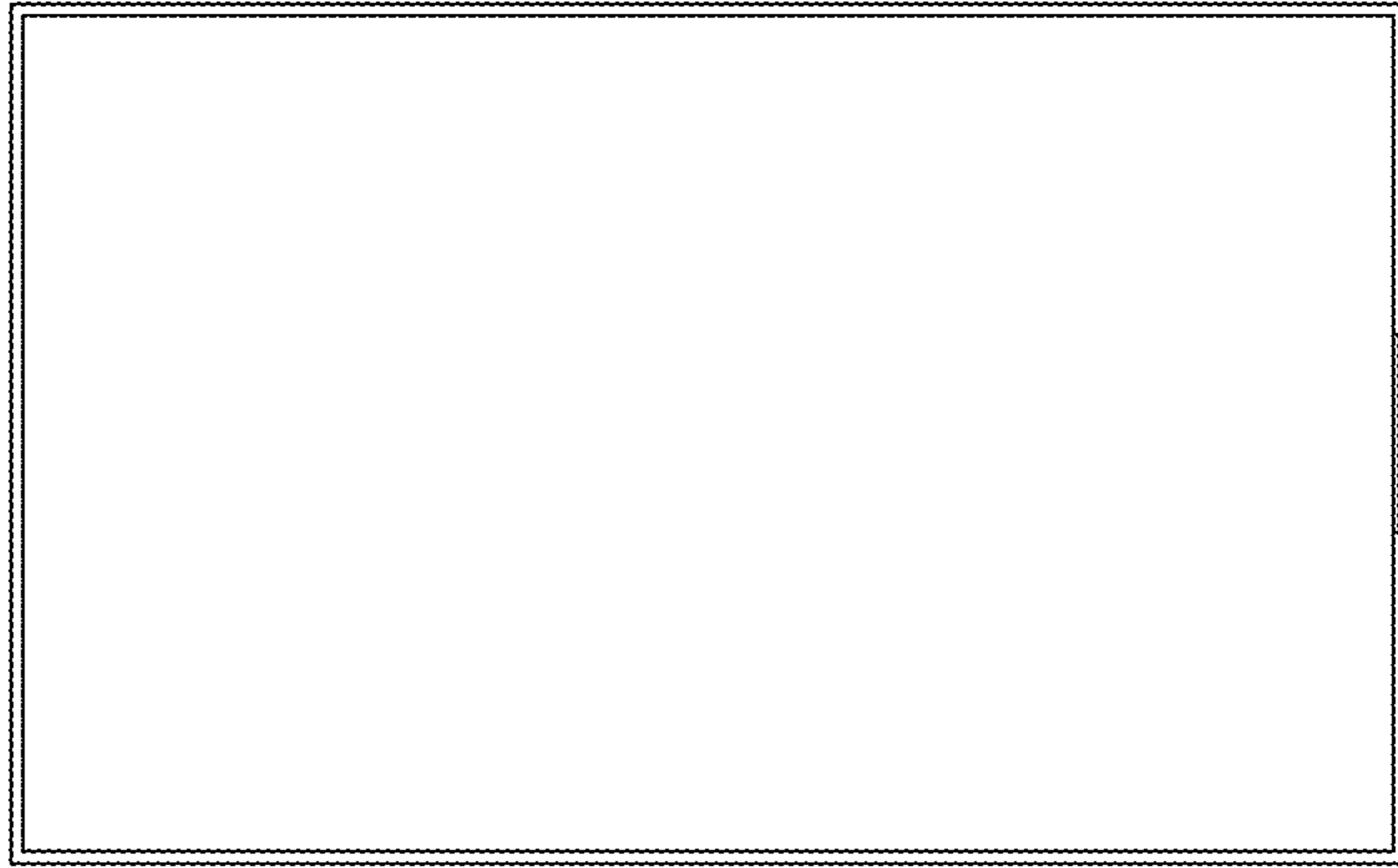


FIG.7



FIG.8

