



US00D743207S

(12) **United States Design Patent**
Pendleton et al.

(10) **Patent No.:** **US D743,207 S**

(45) **Date of Patent:** **** Nov. 17, 2015**

(54) **CUP**

(56) **References Cited**

(71) Applicant: **Reynolds Consumer Products LLC**,
Lake Forest, IL (US)

(72) Inventors: **Ned R. Pendleton**, Gurnee, IL (US); **Ike J. Petersen**, Libertyville, IL (US); **Patricia E. Tait**, Elmhurst, IL (US); **John O'Connor**, Griffith, IN (US); **Jeff Hautzinger**, Chicago, IL (US)

(73) Assignee: **REYNOLDS CONSUMER PRODUCTS LLC**, Lake Forest, IL (US)

U.S. PATENT DOCUMENTS

3,123,273	A *	3/1964	Miller	229/400
D202,507	S *	10/1965	Shelby	D7/523
D203,285	S *	12/1965	Pettengill	D7/514
D208,872	S *	10/1967	Davis	D7/531
3,471,075	A *	10/1969	Wolf	229/400
D216,095	S *	11/1969	Lawton	D9/501
3,655,501	A *	4/1972	Tesch	428/136
D248,916	S *	8/1978	Reynolds et al.	D7/523
D267,849	S *	2/1983	Groenewold et al.	D7/514
D297,089	S *	8/1988	West	D7/523
D297,090	S *	8/1988	West	D7/523
5,205,473	A *	4/1993	Coffin, Sr.	229/403
D374,485	S *	10/1996	Brown	D25/38.1

(**) Term: **14 Years**

(Continued)

(21) Appl. No.: **29/495,634**

OTHER PUBLICATIONS

(22) Filed: **Jul. 2, 2014**

http://creativebits.org/photoshop/diamond_plated_brushed_metal
Diamond plated brushed metal Jan. 25, 2015.*

(51) **LOC (10) Cl.** **07-01**

(52) **U.S. Cl.**

USPC **D7/523**; D7/624.2; D7/532; D9/444

(58) **Field of Classification Search**

USPC D7/509, 512, 514, 516, 517, 523, 529,
D7/532, 591, 594, 608, 624.1, 624.2, 391,
D7/392.1, 396.2, 396.4, 519, 607; D9/501,
D9/502, 444; 220/592.16, 592.17, 592.23,
220/592.24, 674, 676; 229/400, 403, 405;
215/382; 206/520; D11/3, 4, 6;
D3/202; D5/1, 2, 3, 4, 17, 23, 25, 29,
D5/58; D25/60, 153, 156, 157, 164, 261,
D25/259

CPC A47G 19/2288; A47G 2023/0291;
A47G 19/2205; A47G 19/22; B65D 3/22;
B65D 1/265

See application file for complete search history.

(Continued)

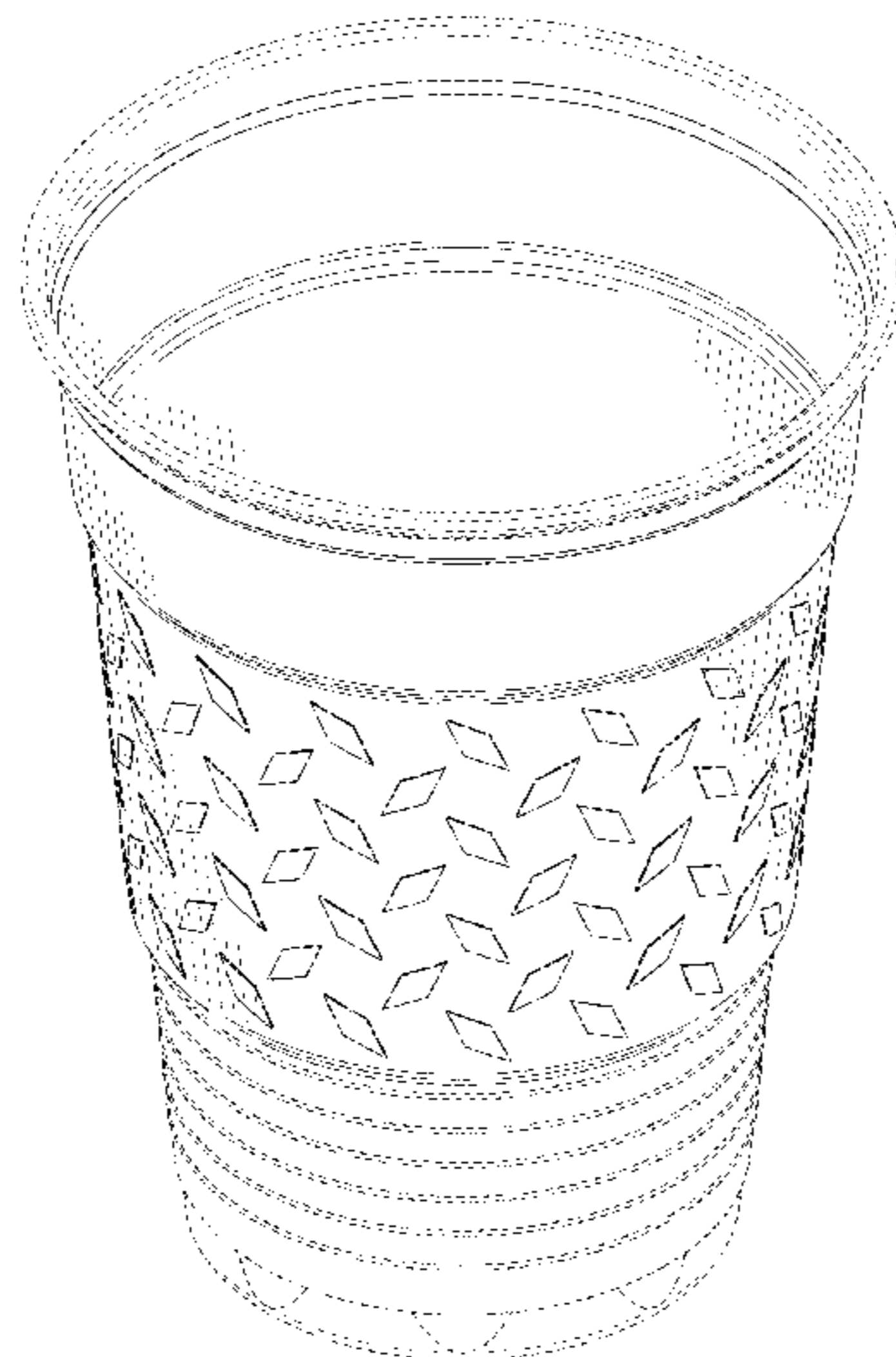
Primary Examiner — Marianne Pandozzi
Assistant Examiner — Jae Liang
(74) *Attorney, Agent, or Firm* — Baker Botts L.L.P.

(57) **CLAIM**
The ornamental design for a cup, as shown and described.

DESCRIPTION

FIG. 1 is a perspective view of a cup showing our new design;
FIG. 2 is a front view thereof;
FIG. 3 is a rear view thereof;
FIG. 4 is a left side view thereof;
FIG. 5 is a right side view thereof;
FIG. 6 is a top view of the cup thereof; and,
FIG. 7 is a bottom view thereof.
The broken line showing in the figure drawings are included for the purpose of illustration and form no part of the claimed design.

1 Claim, 7 Drawing Sheets



(56)

References Cited

U.S. PATENT DOCUMENTS

D383,947 S * 9/1997 Schaefer D7/607
 5,820,016 A * 10/1998 Stropkay 229/403
 D401,122 S * 11/1998 Rench et al. D7/624.2
 D440,824 S * 4/2001 Carter et al. D7/521
 6,287,247 B1 * 9/2001 Dees et al. 493/58
 D509,707 S * 9/2005 Tien D7/510
 D529,762 S * 10/2006 Schweigert et al. D7/523
 D542,096 S * 5/2007 Kolano D7/564
 D548,077 S * 8/2007 Rocco D9/444
 D550,510 S * 9/2007 Morton et al. D7/530
 D570,159 S * 6/2008 McGill D7/532
 D597,298 S * 8/2009 Lown et al. D3/202
 D602,742 S * 10/2009 Sutandar D7/530
 D603,653 S * 11/2009 Wong D7/523
 D606,311 S * 12/2009 Lown et al. D3/303
 D607,213 S * 1/2010 Brunelli D5/58
 D614,402 S * 4/2010 Lown et al. D3/303
 D619,852 S * 7/2010 Bodum D7/532
 D623,474 S * 9/2010 Carlson et al. D7/510
 D623,476 S * 9/2010 Carlson et al. D7/510
 D640,507 S * 6/2011 Selina et al. D7/607
 D643,689 S * 8/2011 Selina et al. D7/607
 D643,690 S * 8/2011 Selina et al. D7/607
 D643,691 S * 8/2011 Selina et al. D7/607

D643,692 S * 8/2011 Selina et al. D7/607
 D649,397 S * 11/2011 Wilkens et al. D7/396.2
 D650,634 S * 12/2011 Hodge et al. D7/532
 D656,365 S * 3/2012 Bickert et al. D7/624.2
 D662,362 S * 6/2012 Bickert et al. D7/510
 D664,812 S * 8/2012 Bickert et al. D7/624.2
 D671,754 S * 12/2012 Romano et al. D5/59
 D672,610 S * 12/2012 Park et al. D7/510
 D680,377 S * 4/2013 Romley D7/532
 8,627,982 B2 * 1/2014 Selina 220/738
 D701,758 S * 4/2014 Lee D9/434
 D705,609 S * 5/2014 Keyes D7/523
 D713,209 S * 9/2014 Diehl D7/565
 D721,887 S * 2/2015 Romley D3/211
 2005/0112305 A1 * 5/2005 Swoboda et al. 428/34.2
 2005/0145707 A1 * 7/2005 Leni 238/14
 2005/0279728 A1 * 12/2005 Finlay et al. 215/382
 2008/0078824 A1 * 4/2008 Spriegel et al. 229/403
 2009/0121007 A1 * 5/2009 Van Handel 229/403
 2011/0062168 A1 * 3/2011 Chow et al. 220/705

OTHER PUBLICATIONS

<http://www.homewetbar.com/diamond-plate-ceramic-coffee-cup-p-2829.html> Diamond Plate Ceramic Coffee Cup Feb. 13, 2015.*

* cited by examiner

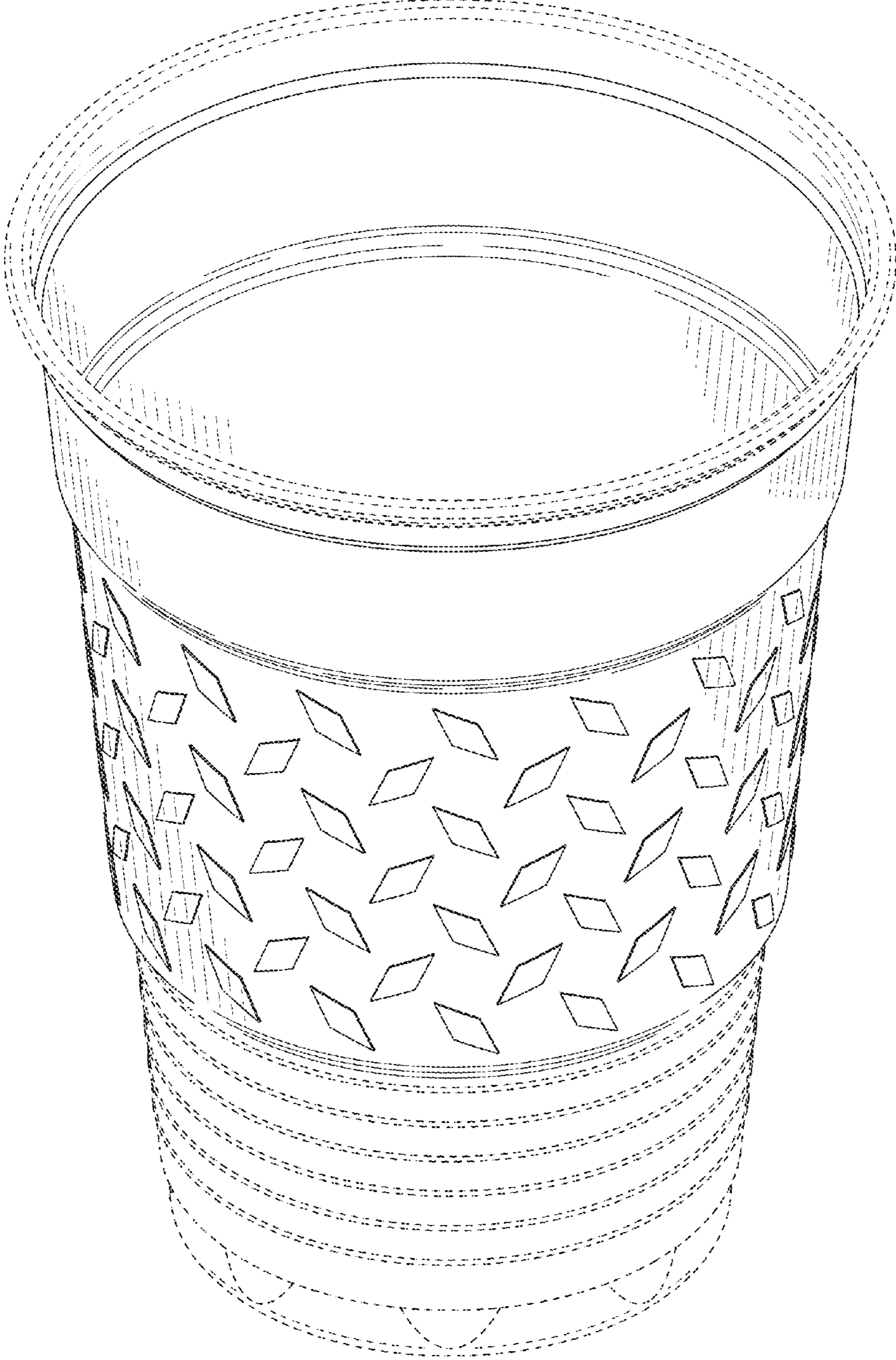


FIG. 1

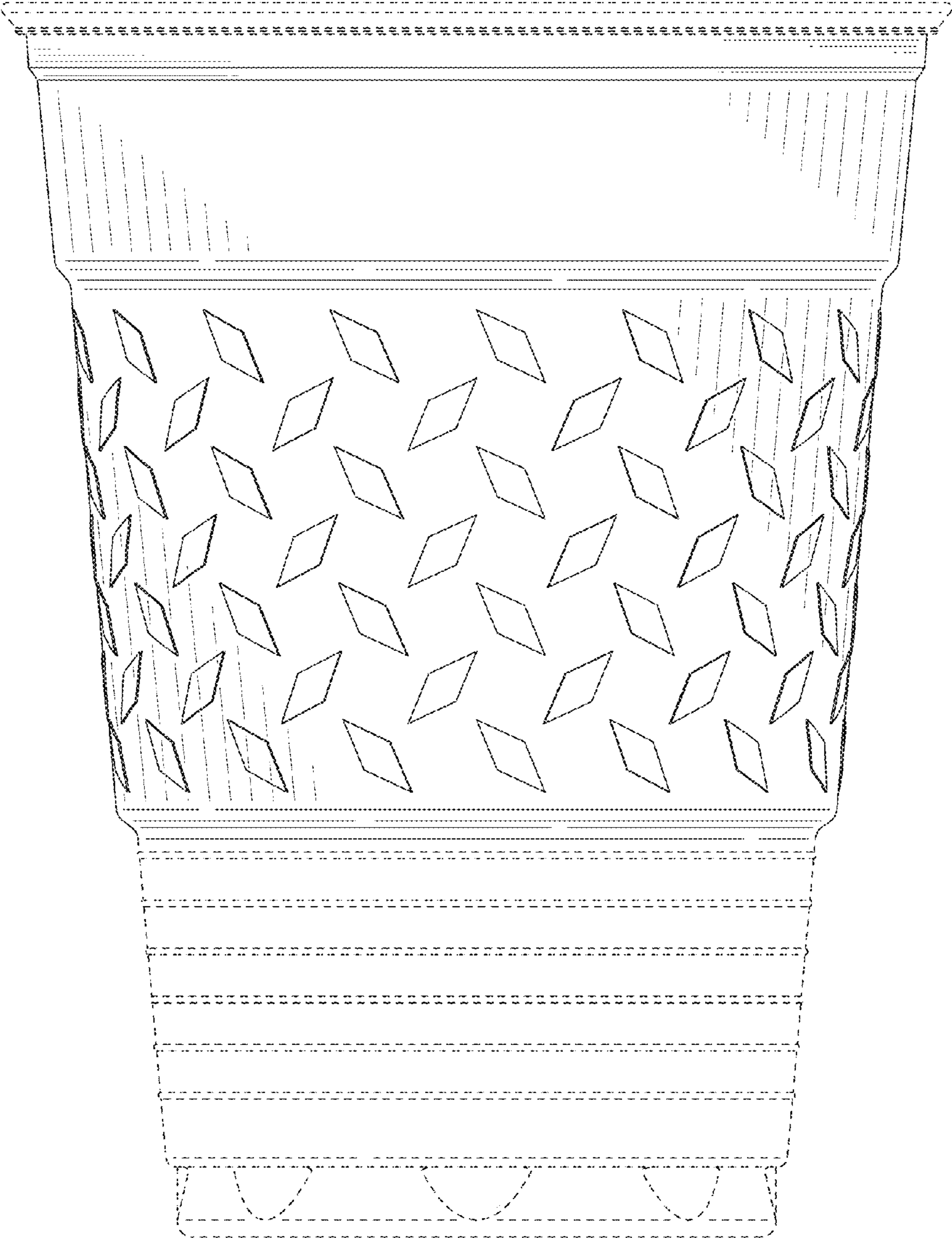


FIG. 2

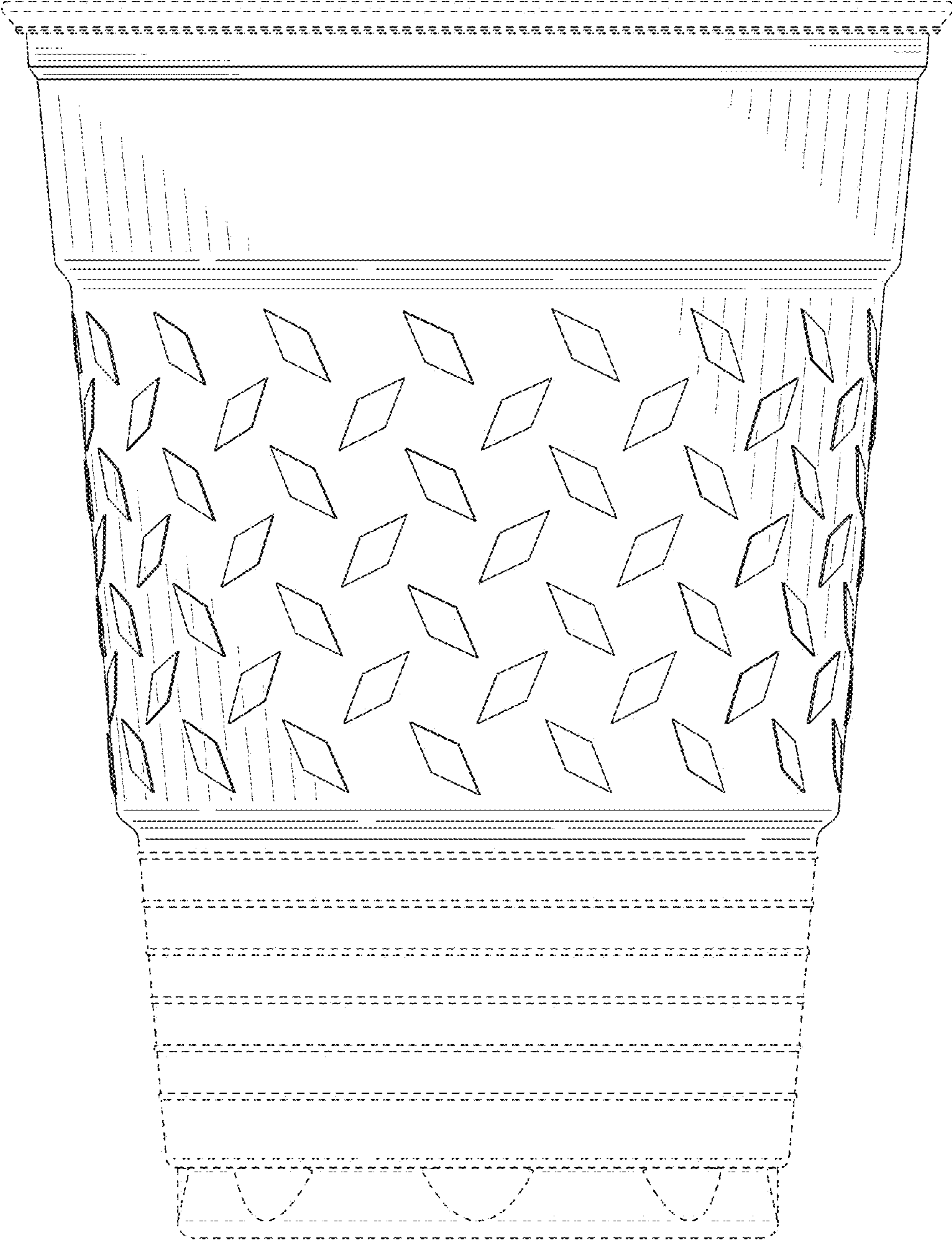


FIG. 3

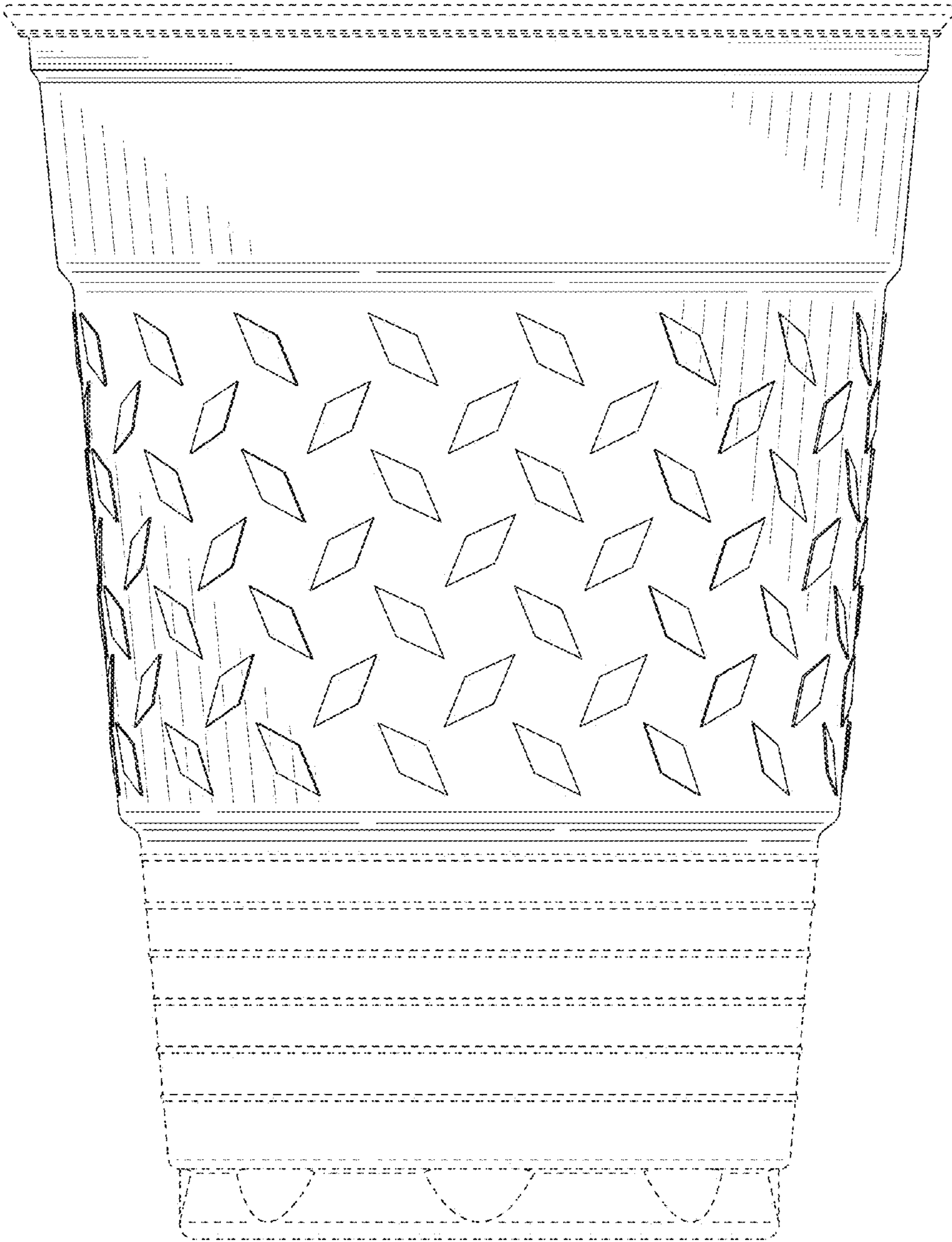


FIG. 4

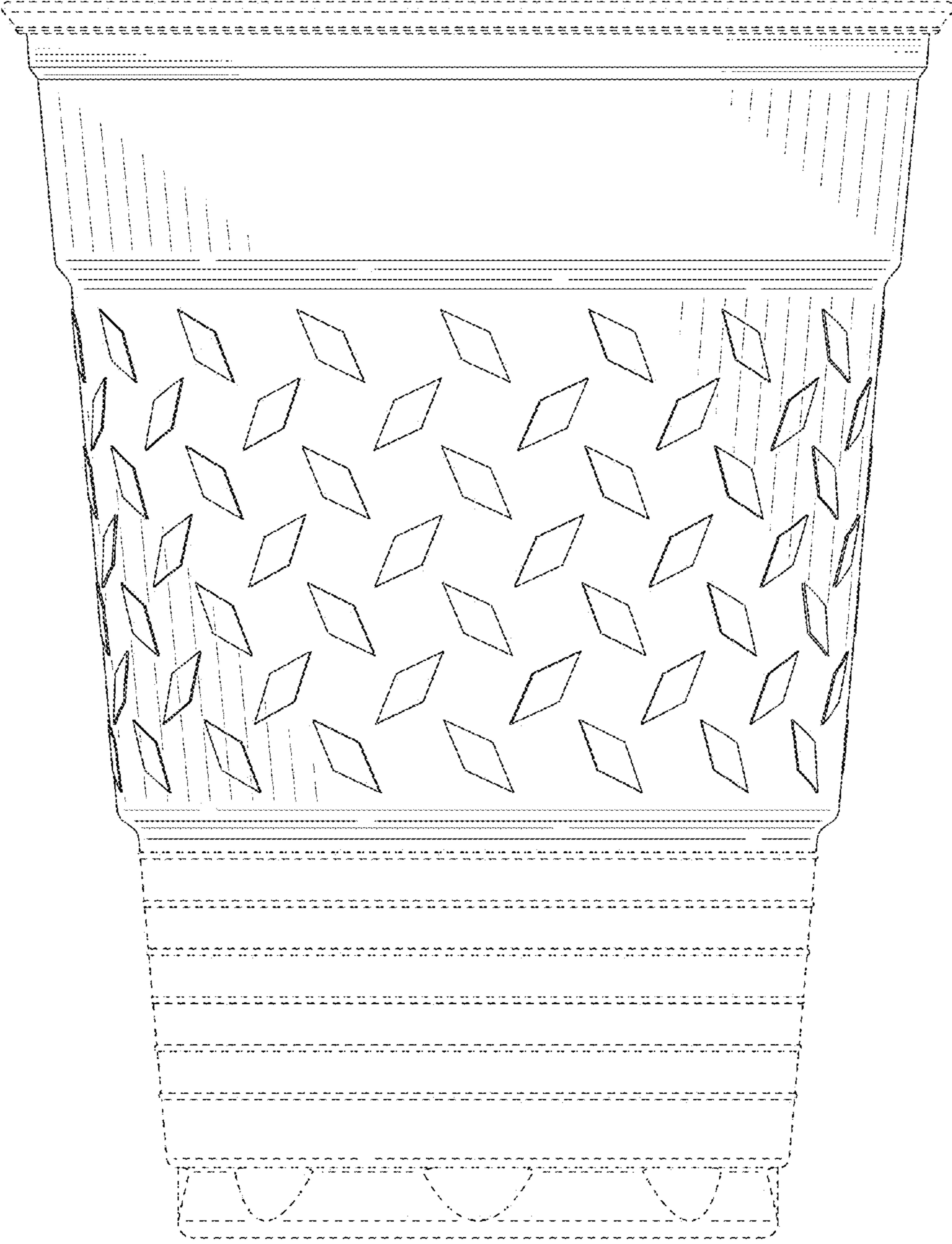


FIG. 5

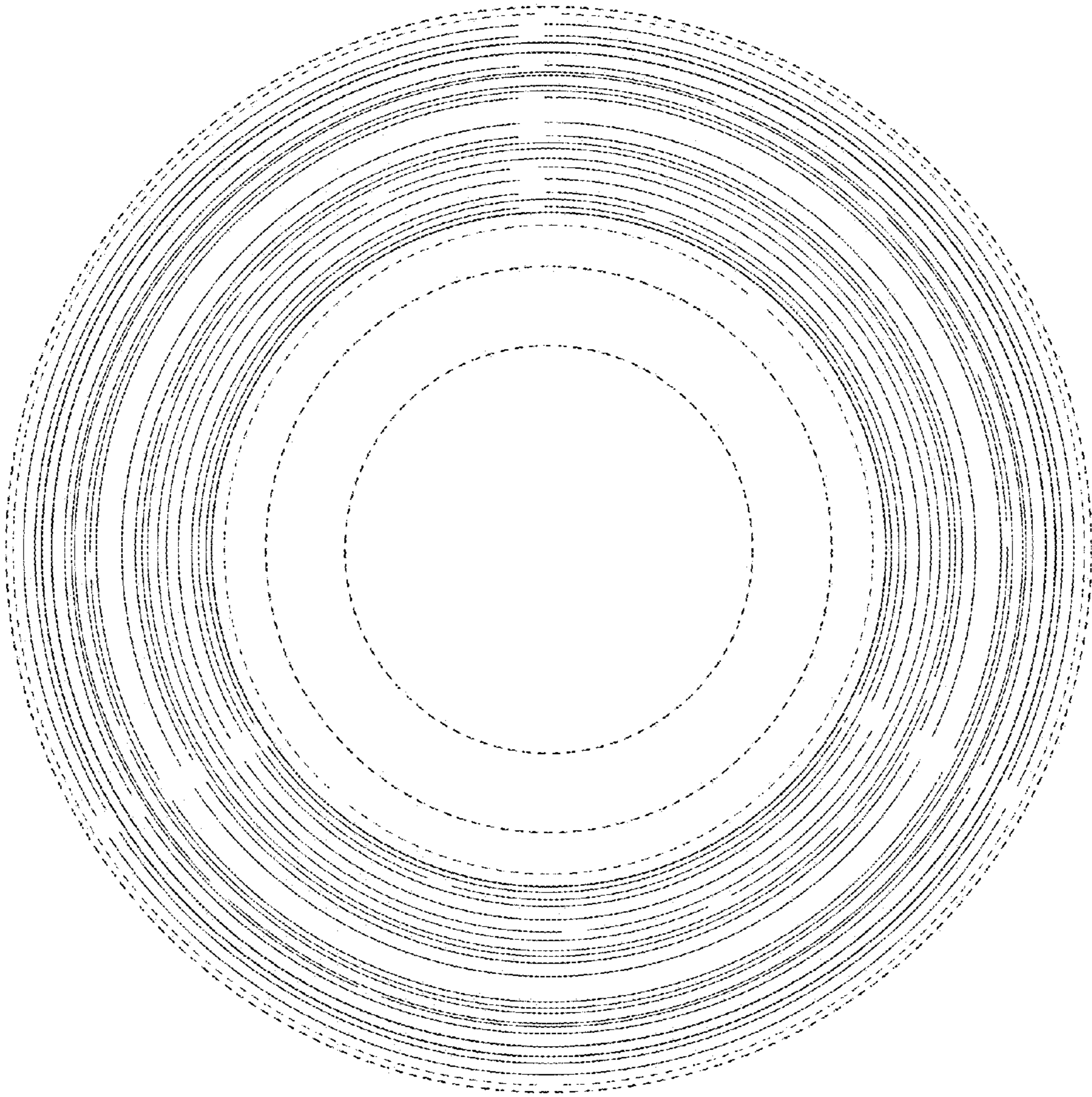


FIG. 6

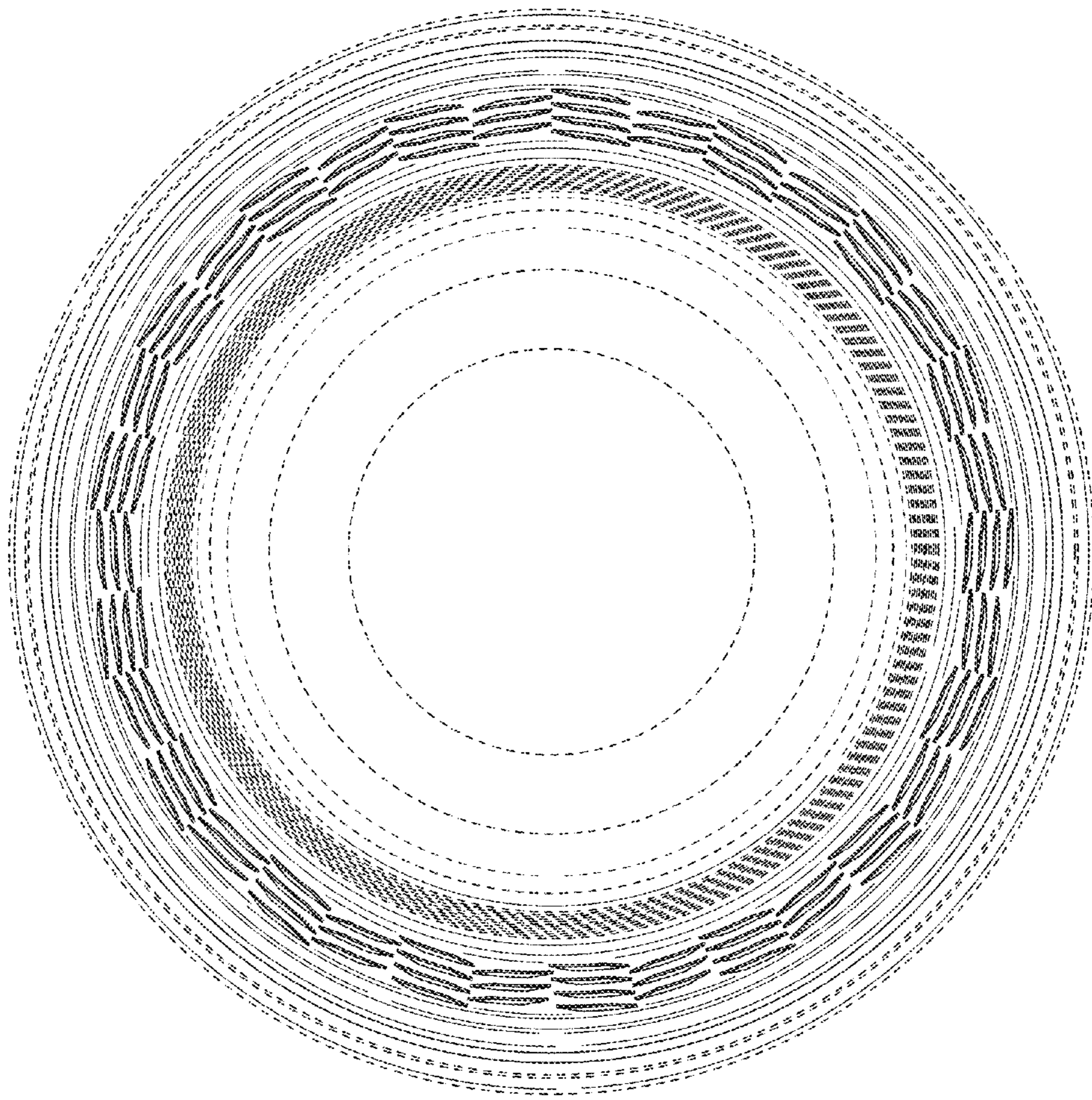


FIG. 7