



US00D743206S

(12) **United States Design Patent**
Pendleton et al.

(10) **Patent No.:** **US D743,206 S**

(45) **Date of Patent:** **** Nov. 17, 2015**

- (54) **CUP**
- (71) Applicant: **Reynolds Consumer Products LLC**,
Lake Forest, IL (US)
- (72) Inventors: **Ned R. Pendleton**, Gurnee, IL (US); **Ike J. Petersen**, Libertyville, IL (US);
Patricia E. Tait, Elmhurst, IL (US);
John O'Connor, Griffith, IN (US); **Jeff Hautzinger**, Chicago, IL (US)
- (73) Assignee: **REYNOLDS CONSUMER PRODUCTS LLC**, Lake Forest, IL (US)

4,052,037	A *	10/1977	Mair et al.	366/341
D248,916	S *	8/1978	Reynolds et al.	D7/523
D267,849	S *	2/1983	Groenewold et al.	D7/514
D272,794	S *	2/1984	Dart	D7/532
D297,089	S *	8/1988	West	D7/523
D297,090	S *	8/1988	West	D7/523
5,820,016	A *	10/1998	Stropkay	229/403
D440,824	S *	4/2001	Carter et al.	D7/521
6,287,247	B1 *	9/2001	Dees et al.	493/58
D509,707	S *	9/2005	Tien	D7/510
D542,096	S *	5/2007	Kolano	D7/564
D548,012	S *	8/2007	Tien	D7/532
D570,159	S *	6/2008	McGill	D7/532
D603,653	S *	11/2009	Wong	D7/523
D619,852	S *	7/2010	Bodum	D7/532

(Continued)

(**) Term: **14 Years**

(21) Appl. No.: **29/495,626**

(22) Filed: **Jul. 2, 2014**

(51) **LOC (10) Cl.** **07-01**

(52) **U.S. Cl.**
USPC **D7/523**; D7/509; D7/532

(58) **Field of Classification Search**
USPC D7/509, 512, 514, 516, 517, 523, 529,
D7/532, 591, 594, 608, 624.1, 624.2, 391,
D7/392.1, 396.2, 396.4; D9/501, 502, 444;
220/592.16, 592.17, 592.23, 592.24,
220/674, 676; 229/400, 403, 405; 215/382;
206/520

CPC A47G 19/2288; A47G 2023/0291;
A47G 19/2205; A47G 19/22; B65D 3/22;
B65D 1/265

See application file for complete search history.

(56) **References Cited**

U.S. PATENT DOCUMENTS

3,123,273	A *	3/1964	Miller	229/400
D202,507	S *	10/1965	Shelby	D7/523
D208,872	S *	10/1967	Davis	D7/531
3,471,075	A *	10/1969	Wolf	229/400

OTHER PUBLICATIONS

<http://www.homewetbar.com/diamond-plate-ceramic-coffee-cup-p-2829.html> Home Wet Bar.com Diamond Plate Coffee Cup Jan. 23, 2013.*

Primary Examiner — Marianne Pandozzi

Assistant Examiner — Jae Liang

(74) *Attorney, Agent, or Firm* — Baker Botts L.L.P.

(57) **CLAIM**

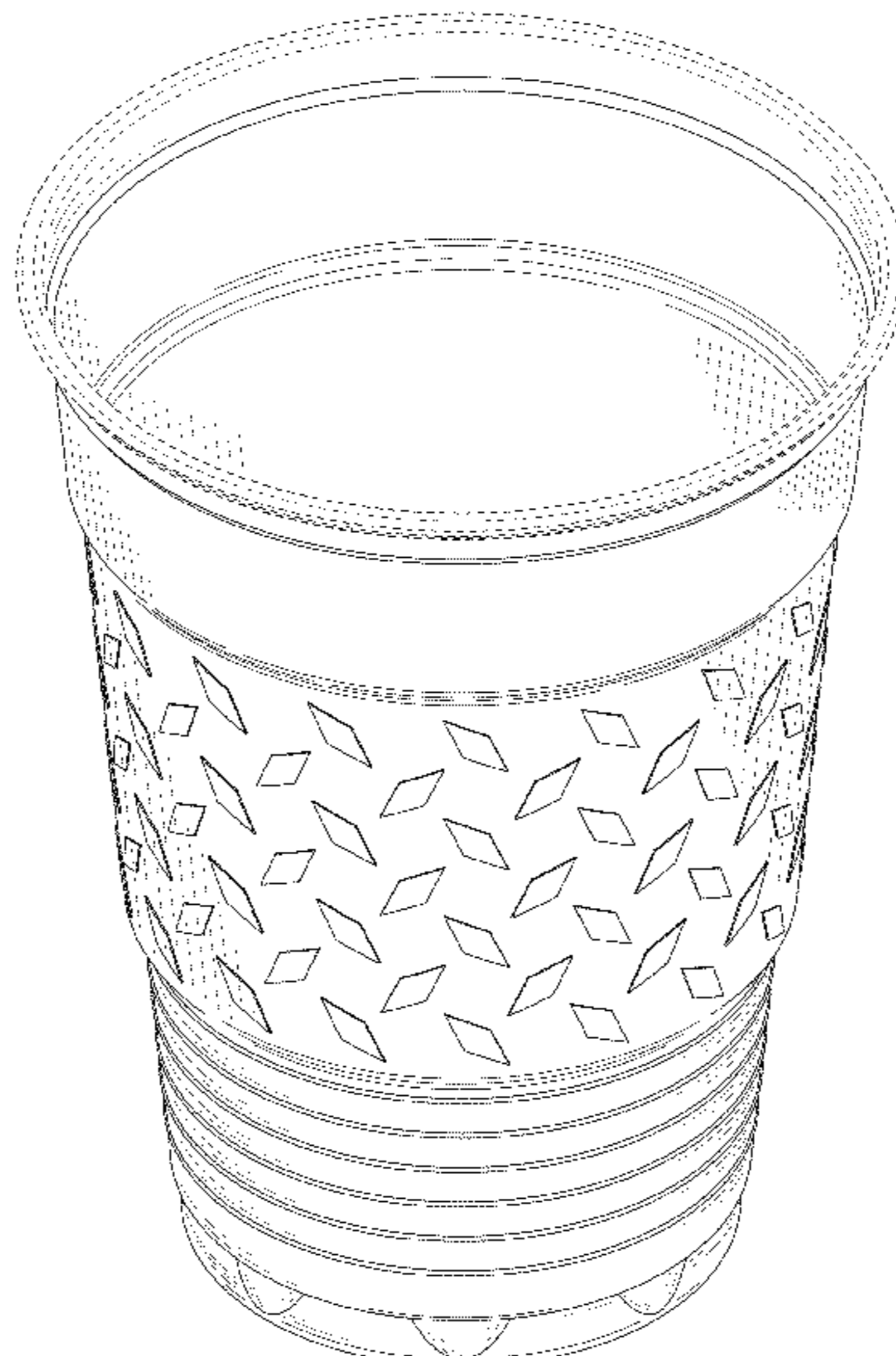
The ornamental design for a cup, as shown and described.

DESCRIPTION

FIG. 1 is a perspective view of a cup showing our new design; FIG. 2 is a front view thereof; FIG. 3 is a rear view thereof; FIG. 4 is a left side view thereof; FIG. 5 is a right side view thereof; FIG. 6 is a top view of the cup thereof; and, FIG. 7 is a bottom view thereof.

The broken line showing in the figure drawings are included for the purpose of illustration and form no part of the claimed design.

1 Claim, 7 Drawing Sheets



(56)

References Cited

U.S. PATENT DOCUMENTS

D623,474 S *	9/2010	Carlson et al.	D7/510	D672,610 S *	12/2012	Park et al.	D7/510
D623,476 S *	9/2010	Carlson et al.	D7/510	8,627,982 B2 *	1/2014	Selina	220/738
D650,634 S *	12/2011	Hodge et al.	D7/532	D705,609 S *	5/2014	Keyes	D7/523
D656,365 S *	3/2012	Bickert et al.	D7/624.2	D713,209 S *	9/2014	Diehl	D7/565
D662,362 S *	6/2012	Bickert et al.	D7/510	D721,887 S *	2/2015	Romley	D3/211
				2005/0112305 A1 *	5/2005	Swoboda et al.	428/34.2
				2011/0062168 A1 *	3/2011	Chow et al.	220/705

* cited by examiner

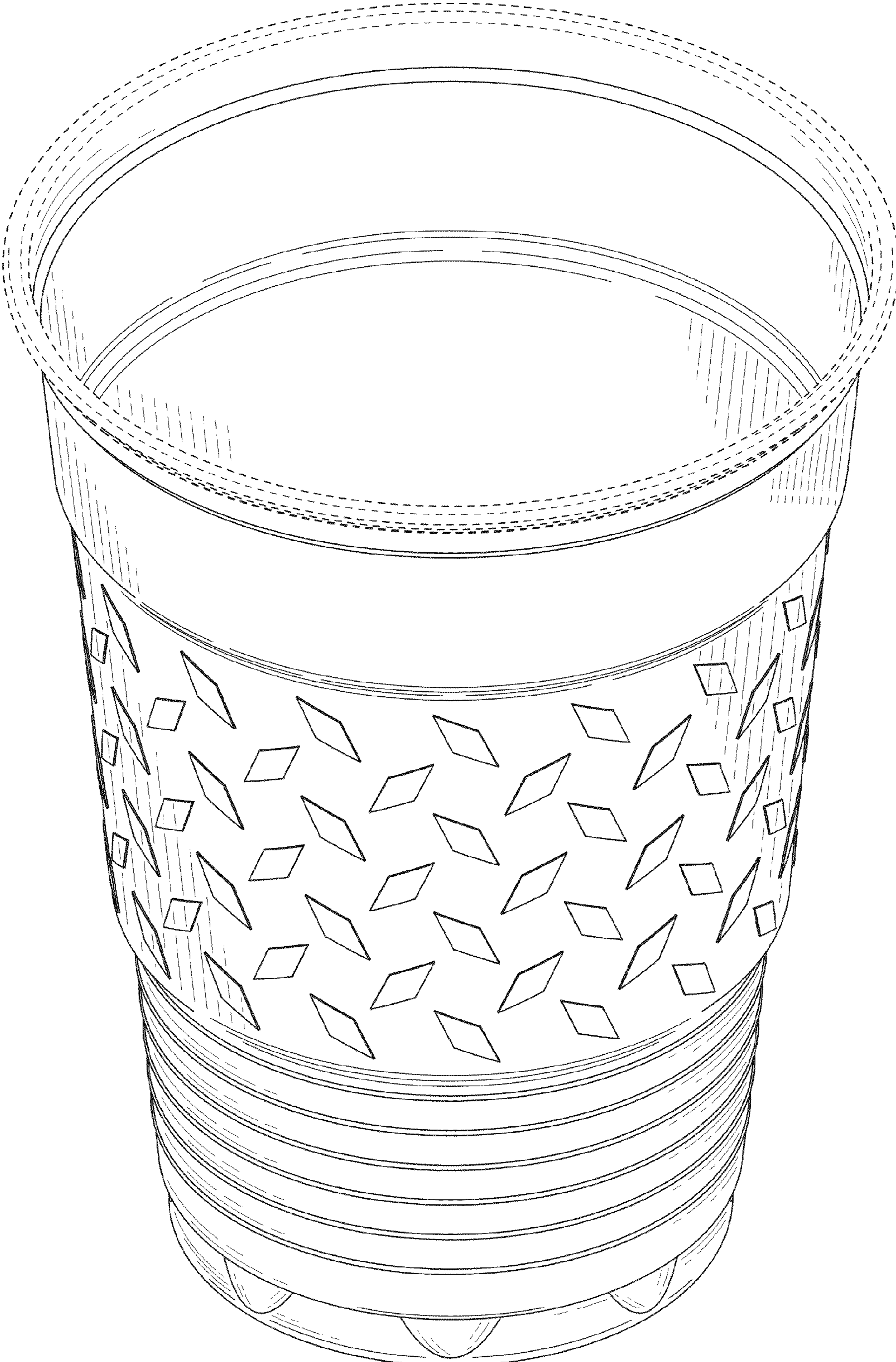


FIG. 1

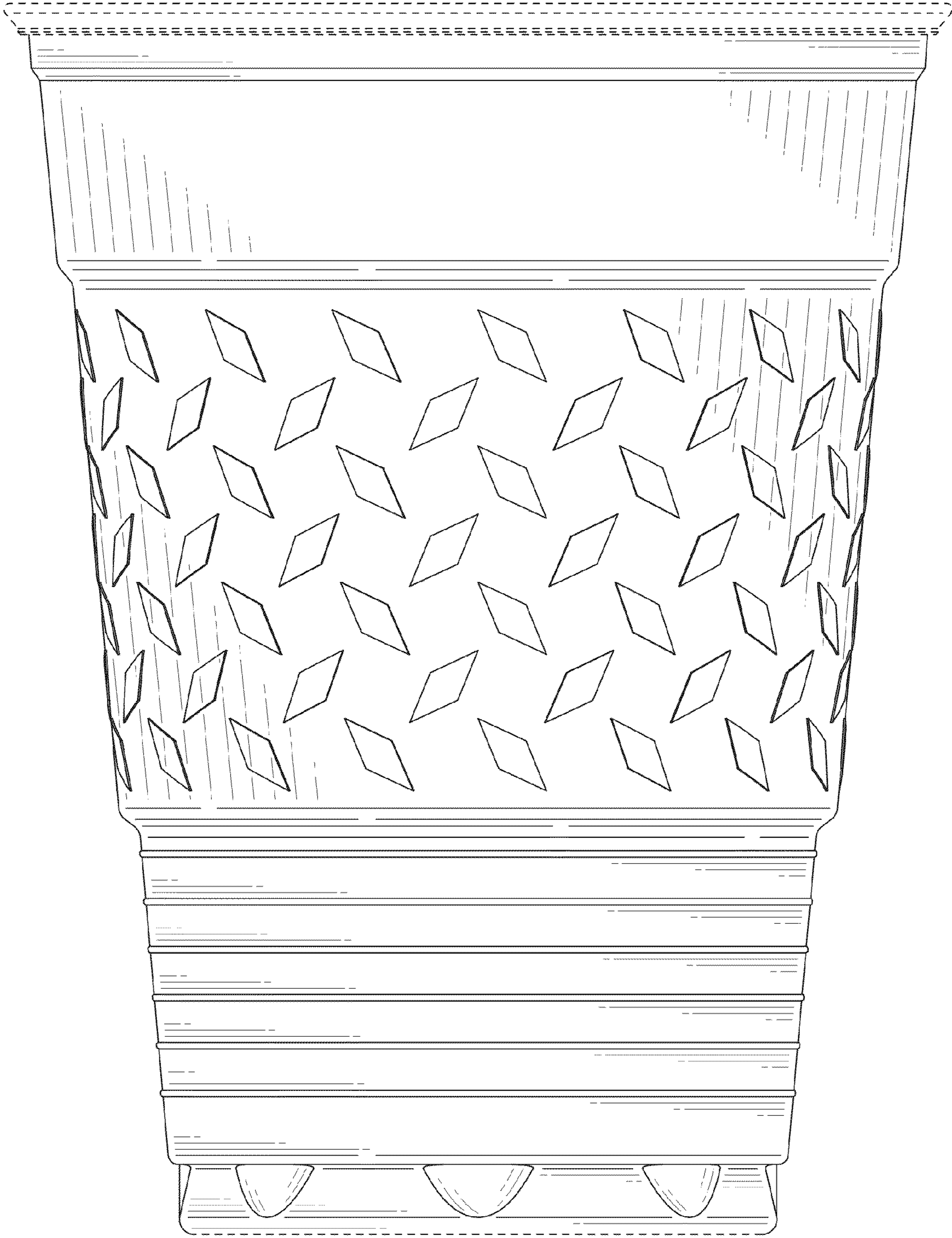


FIG. 2

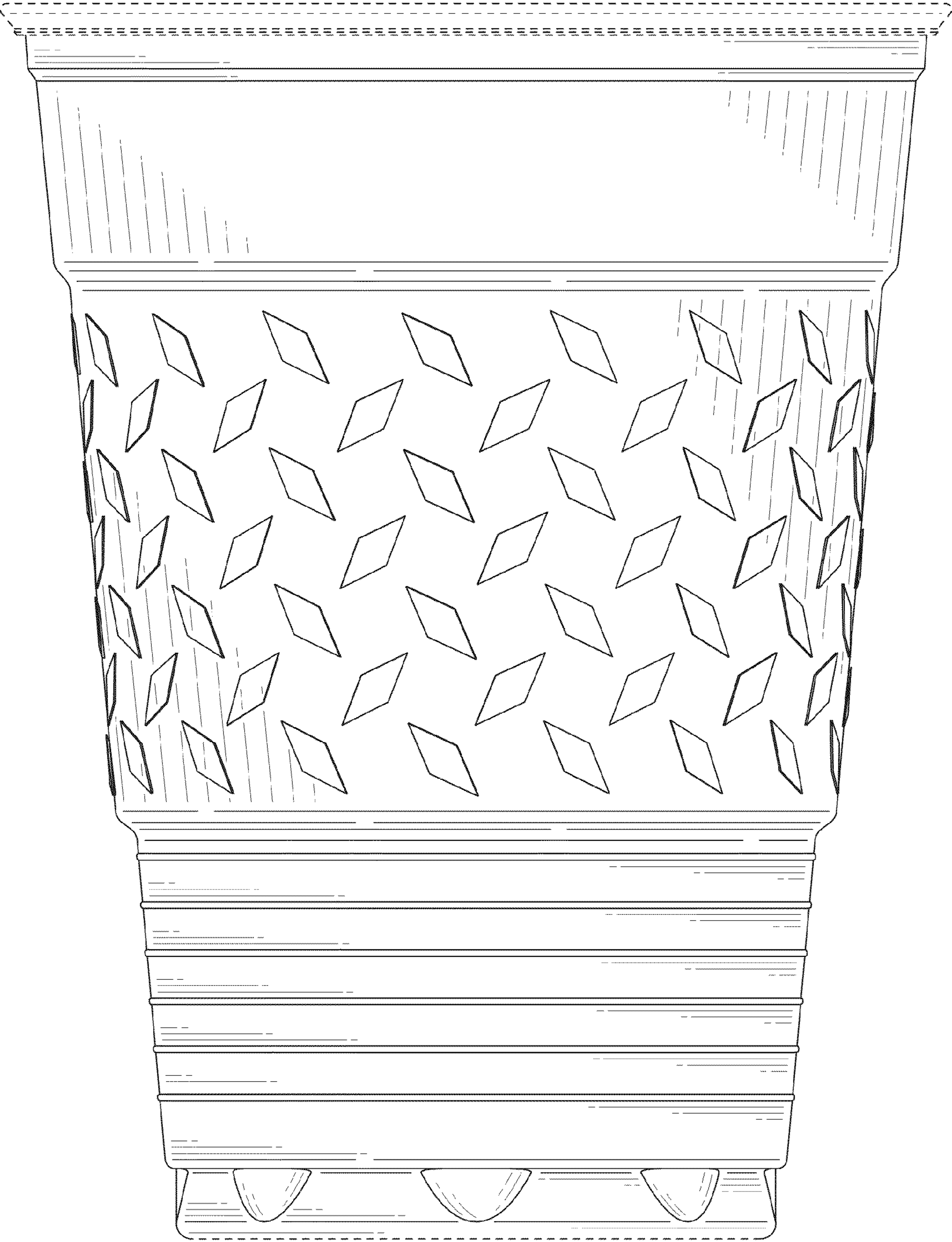


FIG. 3

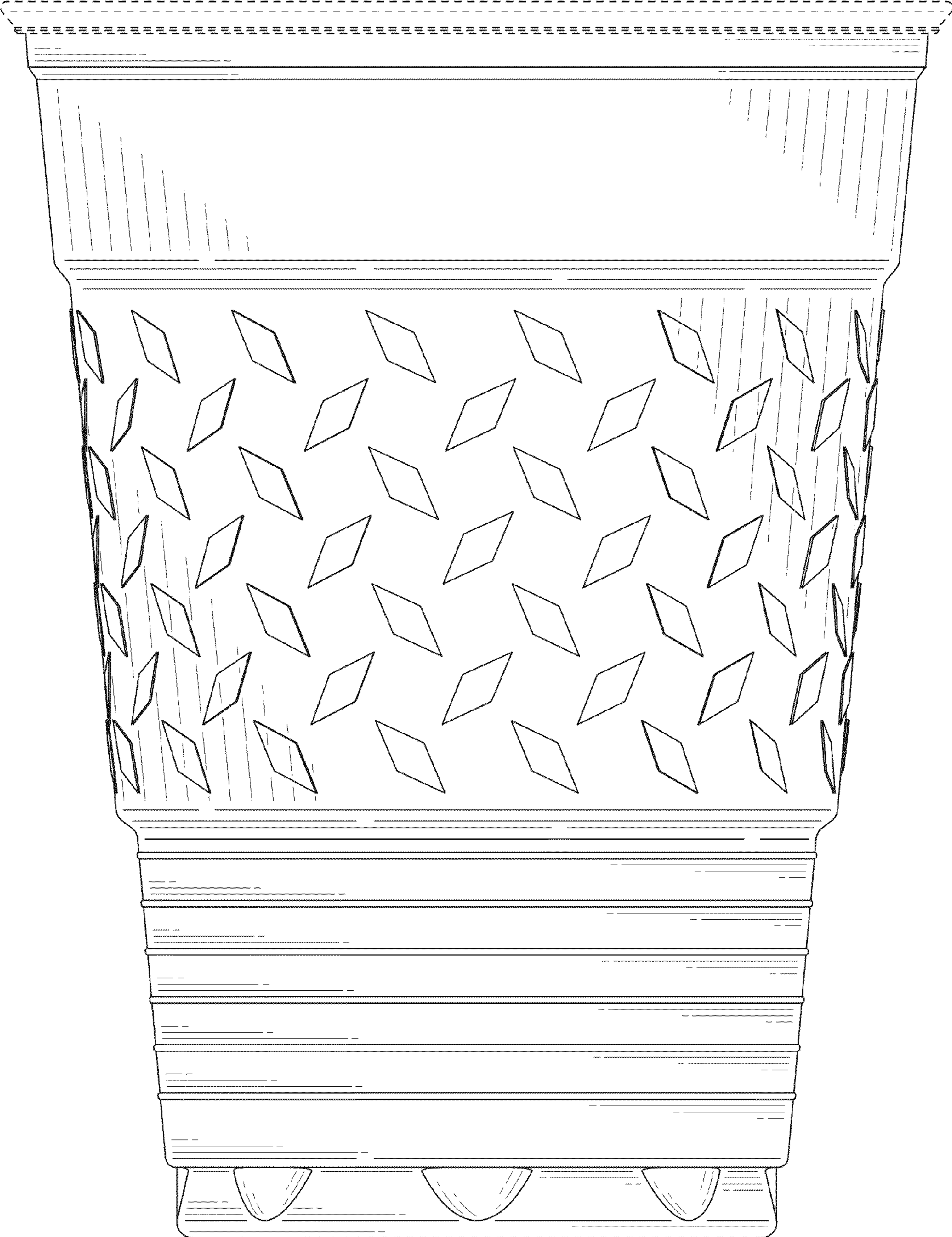


FIG. 4

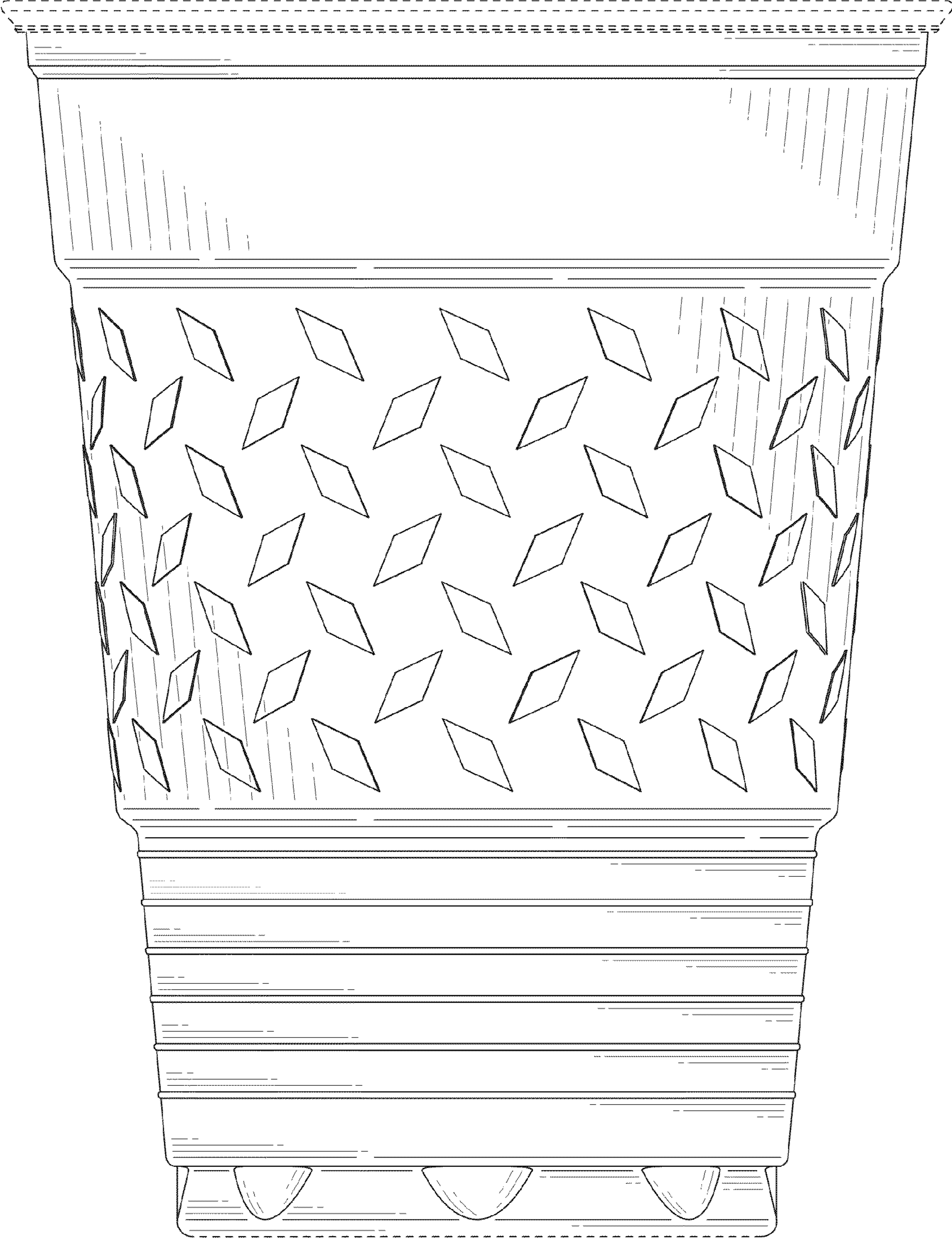


FIG. 5

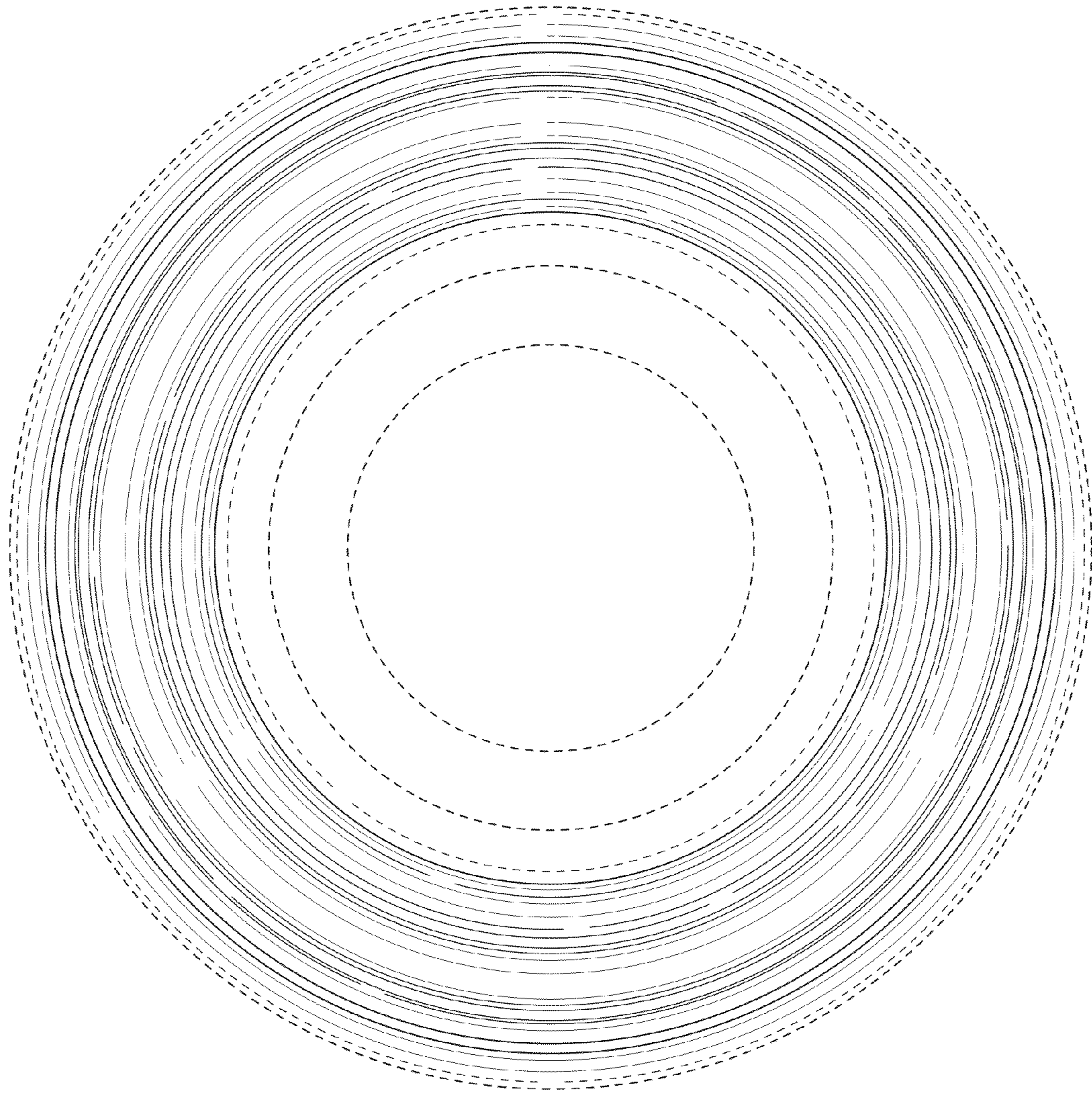


FIG. 6

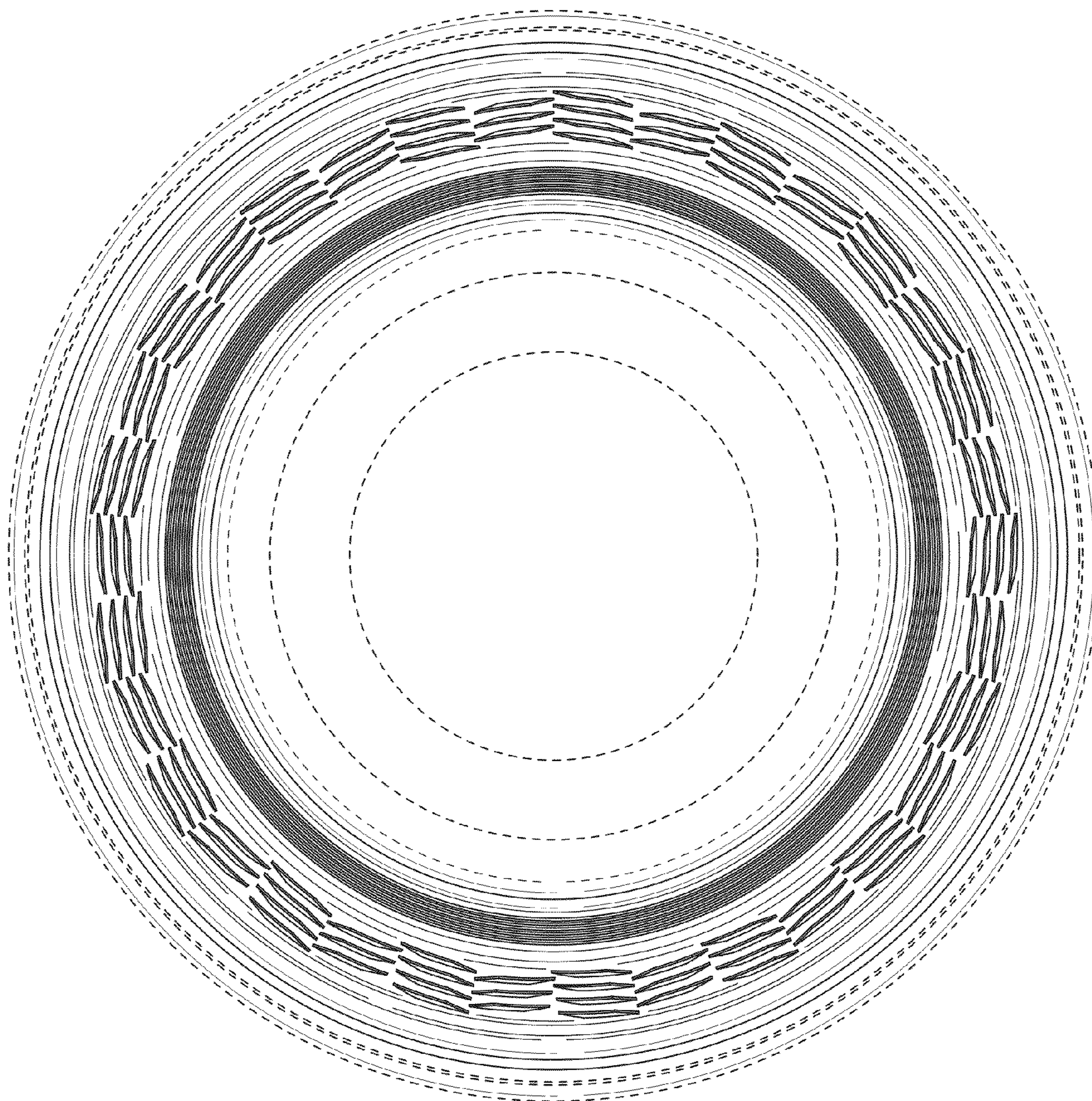


FIG. 7