



US00D743205S

(12) **United States Design Patent**
Anzalone et al.

(10) **Patent No.:** **US D743,205 S**
(45) **Date of Patent:** **** Nov. 17, 2015**

(54) **SHOT GLASS**

(71) Applicants: **Christopher Anzalone**, Eagle, ID (US);
Robert Kushner, Hong Kong (HK)

(72) Inventors: **Christopher Anzalone**, Eagle, ID (US);
Robert Kushner, Hong Kong (HK)

(73) Assignee: **URBAN TREND LLC**, Newport Beach,
CA (US)

(**) Term: **14 Years**

(21) Appl. No.: **29/474,325**

(22) Filed: **Aug. 7, 2014**

(51) **LOC (10) Cl.** **07-01**

(52) **U.S. Cl.**
USPC **D7/517; D7/515; D7/509**

(58) **Field of Classification Search**
USPC D7/510, 511, 512, 523, 507, 531, 524,
D7/537, 528, 533, 536, 509, 515, 514;
220/8, 92, 714, 666, 23.83, 719, 713,
220/630; 215/11.5, 398, 378; 206/218, 581;
D24/197

CPC A47G 19/2205
See application file for complete search history.

(56) **References Cited**

U.S. PATENT DOCUMENTS

D227,531 S * 7/1973 Berger D7/517
4,654,274 A * 3/1987 DeMars 428/542.4
D369,114 S * 4/1996 Davidov D10/46.2
D449,419 S * 10/2001 Barrett D7/533

D480,269 S * 10/2003 Currier D7/515
D485,733 S * 1/2004 Stuart D7/625
D506,105 S * 6/2005 Cox D7/625
D531,859 S * 11/2006 Bogumil et al. D7/625
D551,551 S * 9/2007 Woolery D9/457
D561,534 S * 2/2008 Marks D7/523
D580,228 S * 11/2008 Hayden D7/513
D608,590 S * 1/2010 Geter et al. D7/515
D620,745 S * 8/2010 Lavy D7/357
D627,131 S * 11/2010 Adams et al. D2/625
D657,197 S * 4/2012 McCleary D7/515
D684,826 S * 6/2013 Carter D7/625
D691,859 S * 10/2013 Schaaf et al. D7/606
D699,582 S * 2/2014 Baum et al. D9/624
D710,153 S * 8/2014 Marini D7/515
D715,593 S * 10/2014 Anzalone et al. D7/509
D727,101 S * 4/2015 Oas D7/523

* cited by examiner

Primary Examiner — Marianne Pandozzi

(57) **CLAIM**

The ornamental design for a shot glass, as shown and described.

DESCRIPTION

FIG. 1 is a top and right side perspective view of a shot glass of our new design;

FIG. 2 is a front view of FIG. 1;

FIG. 3 is a back view of FIG. 1;

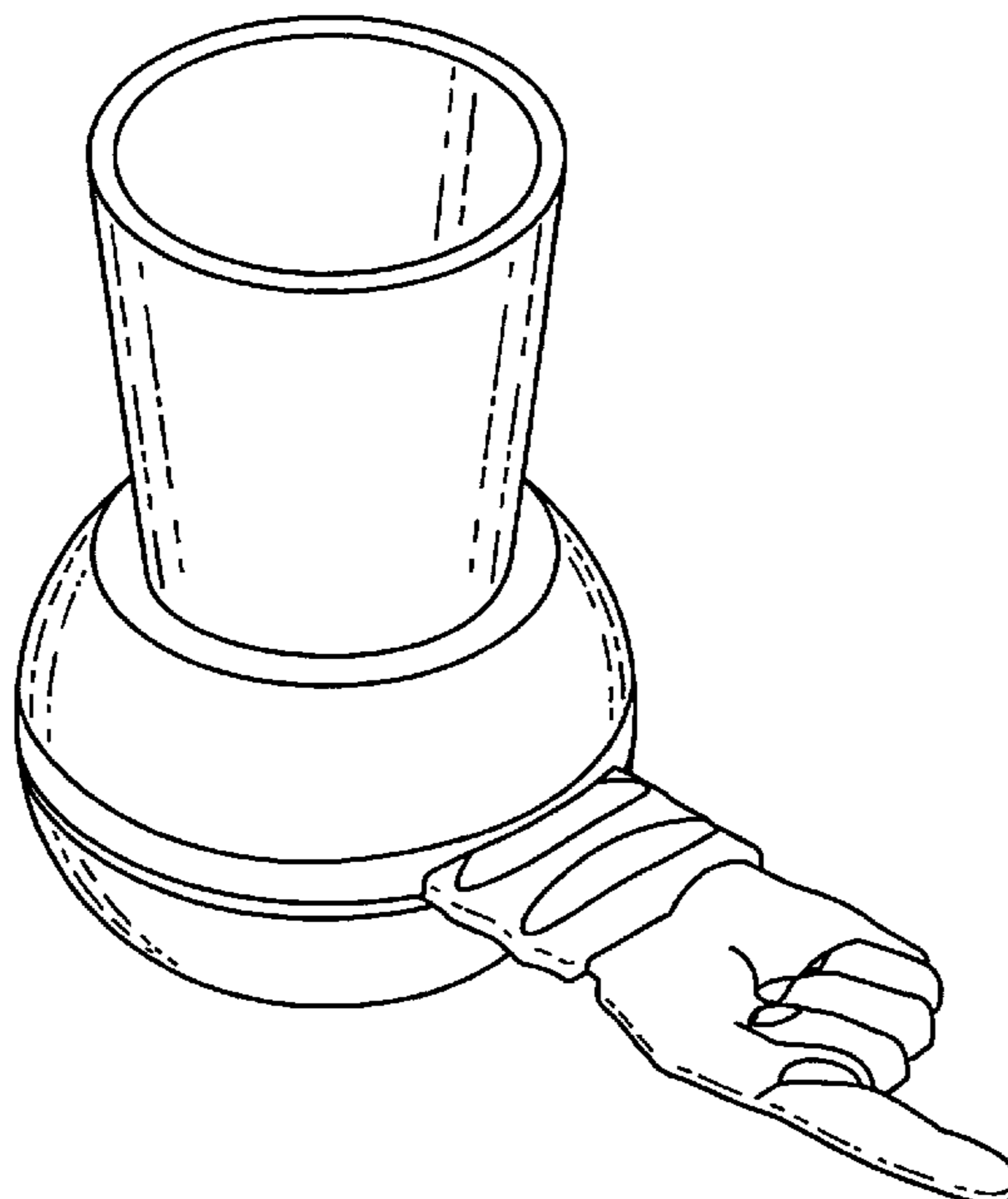
FIG. 4 is a top view of FIG. 1;

FIG. 5 is a bottom view of FIG. 1,

FIG. 6 is a left side view of FIG. 1; and,

FIG. 7 is a right side view of FIG. 1.

1 Claim, 4 Drawing Sheets



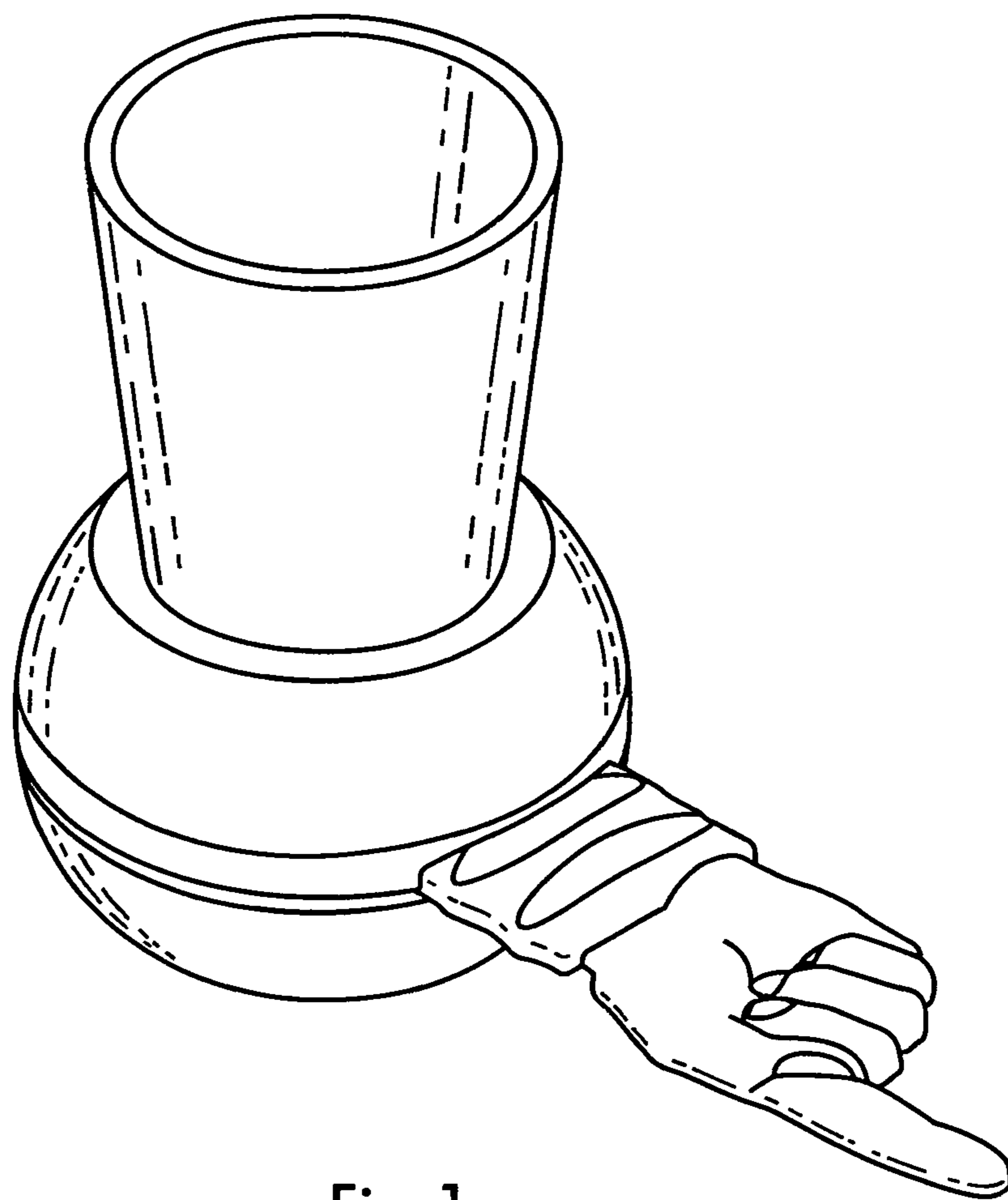


Fig. 1

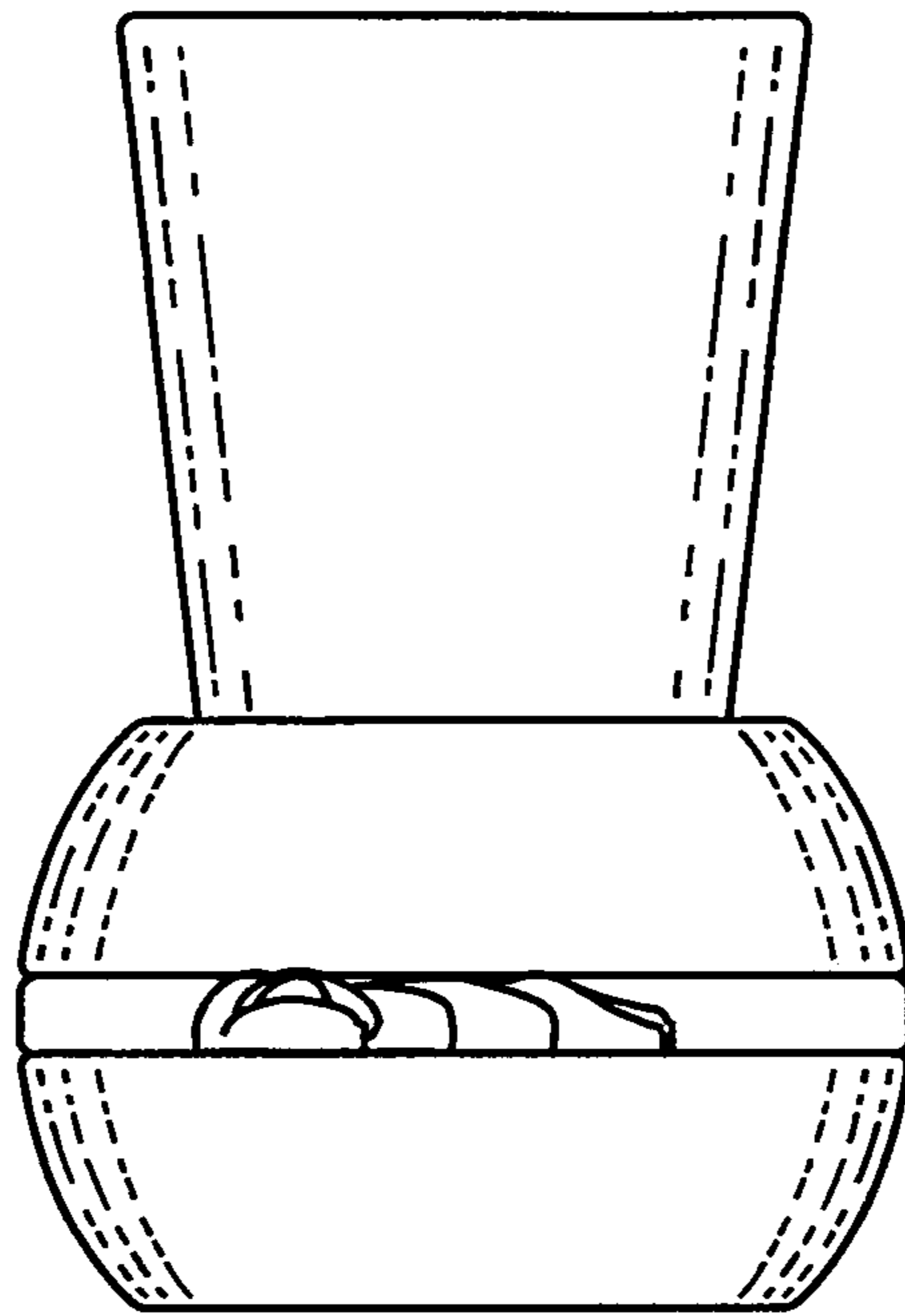


Fig. 2

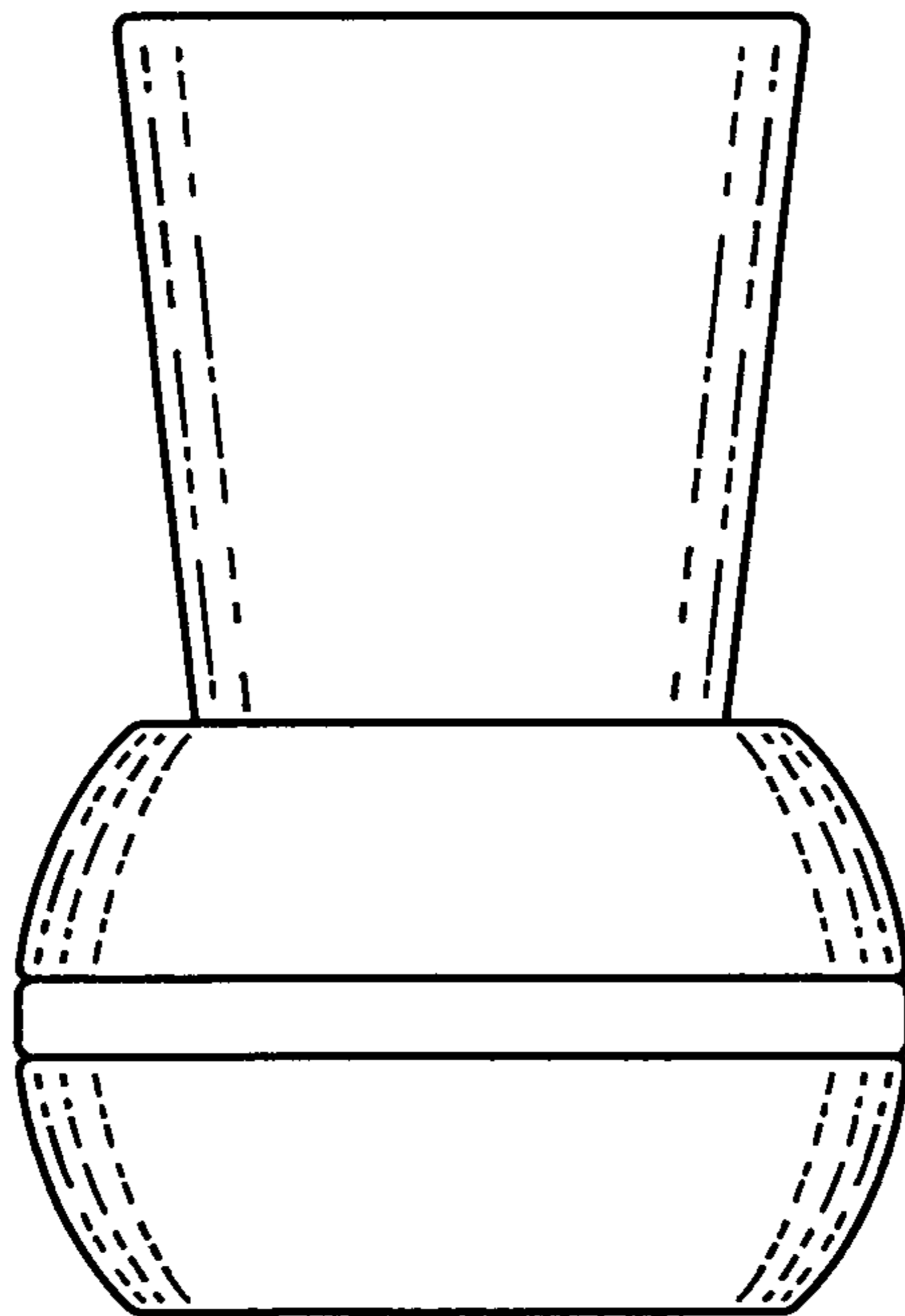


Fig. 3

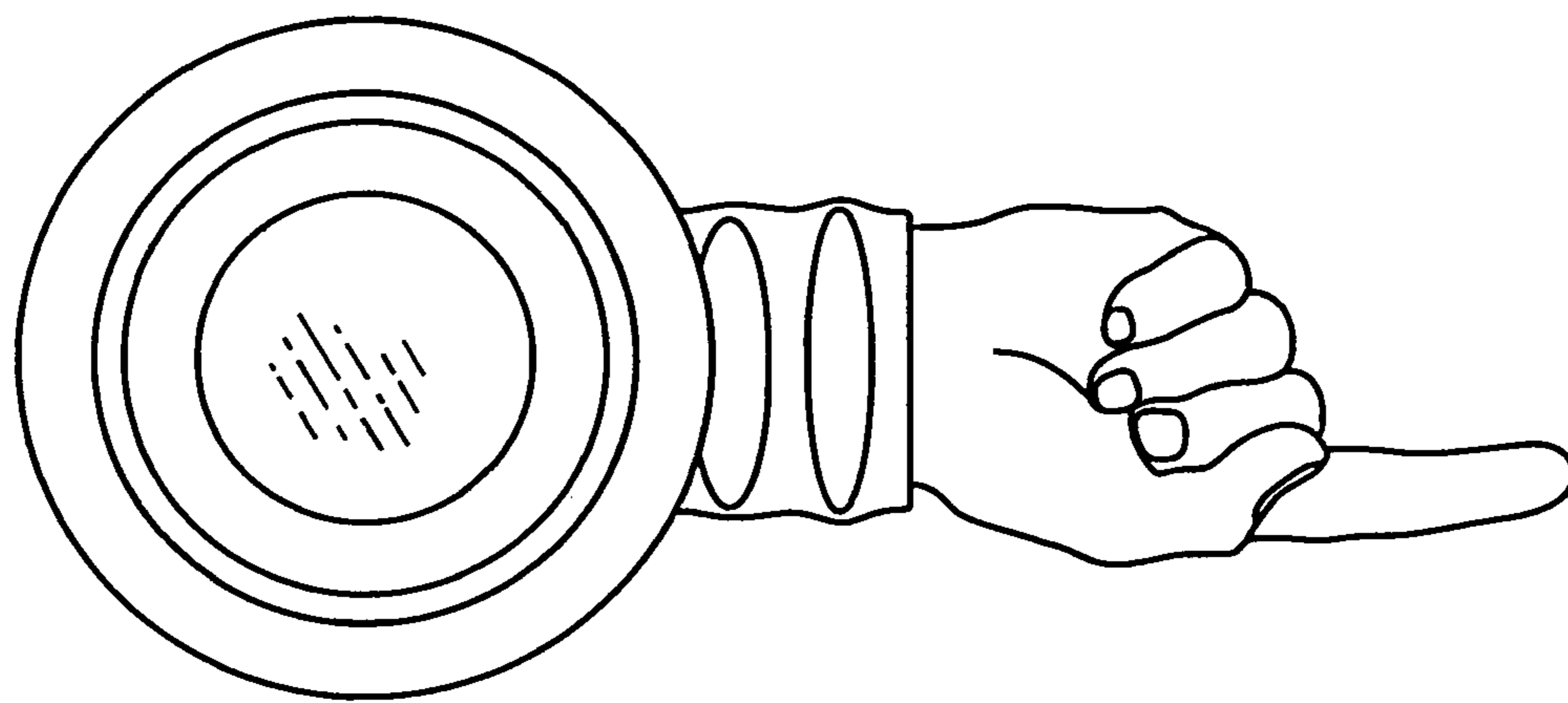


Fig. 4

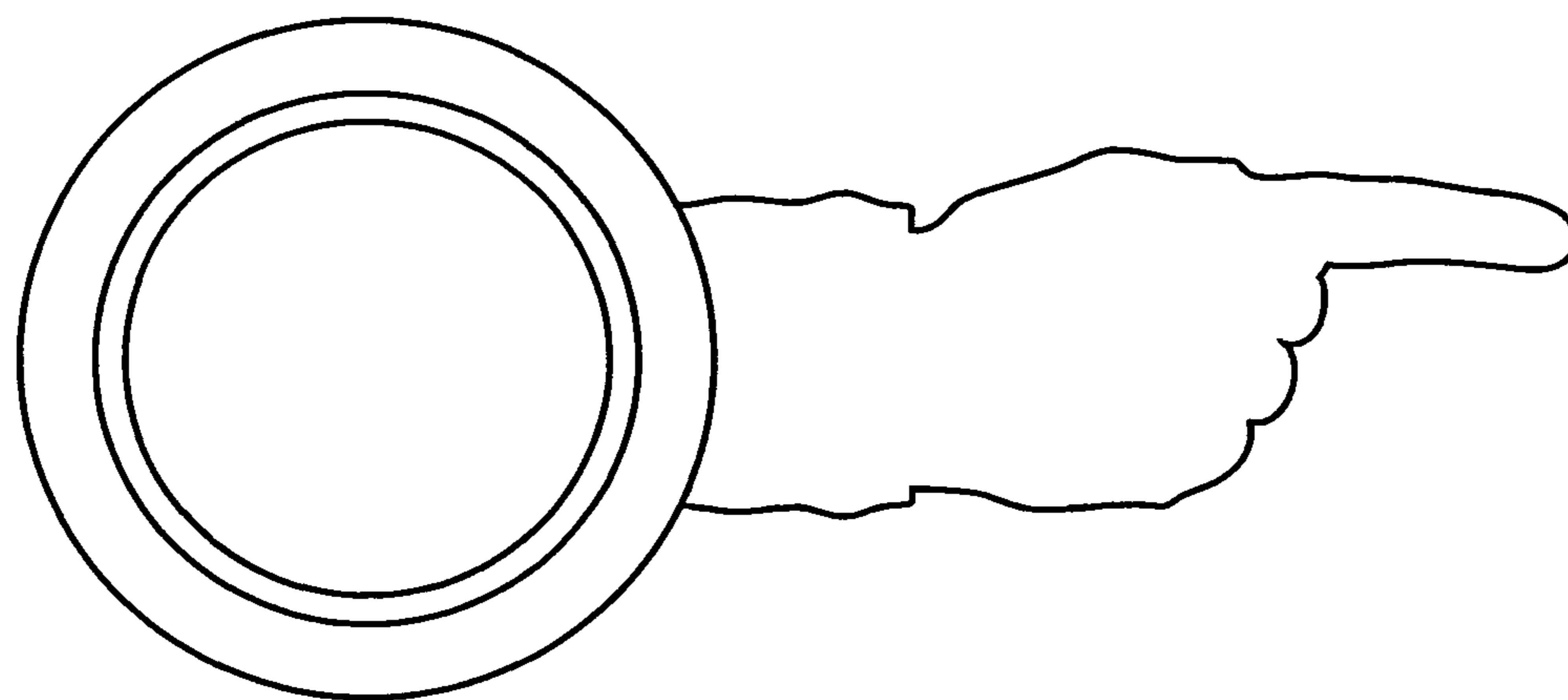


Fig. 5

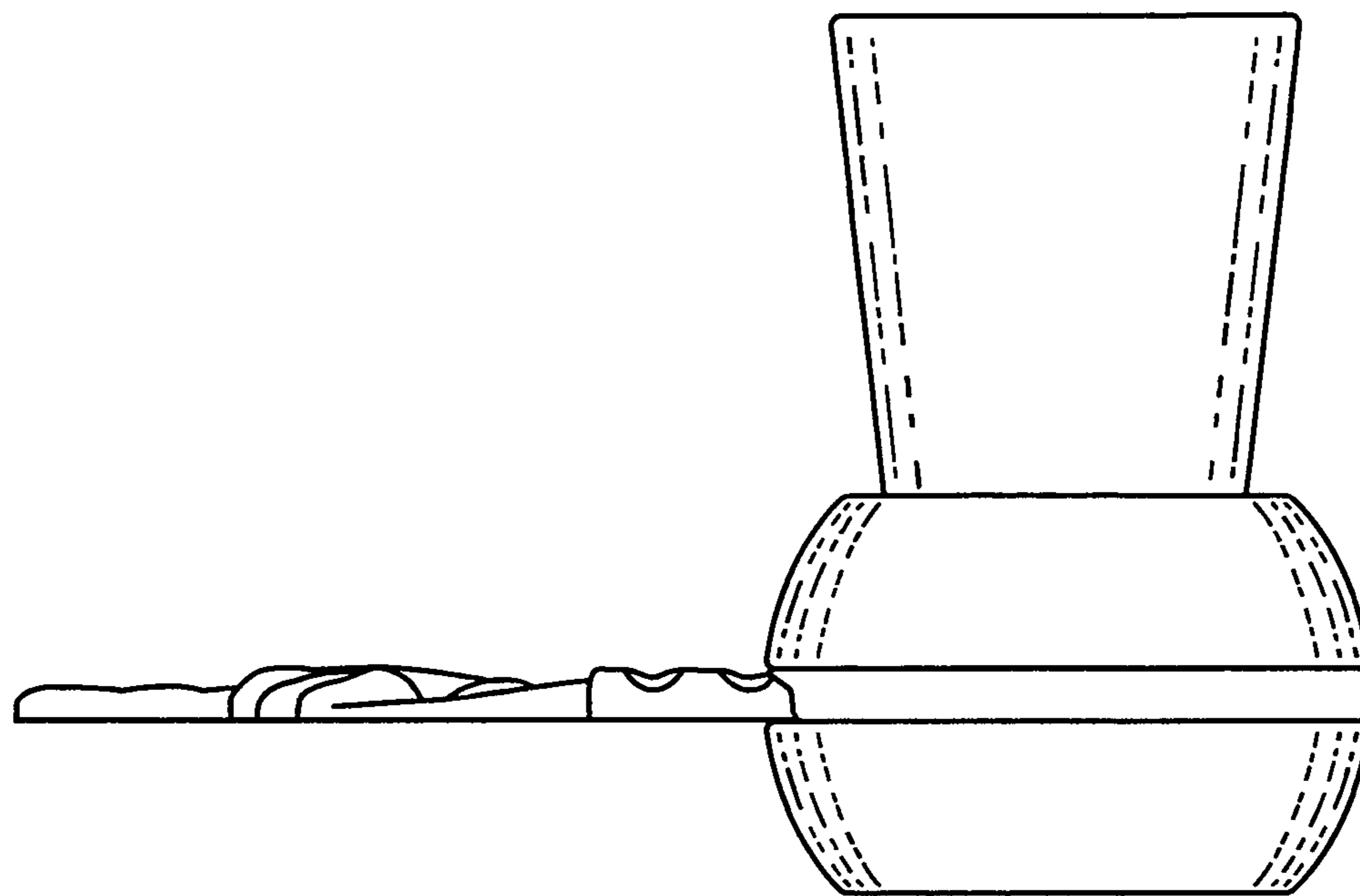


Fig. 6

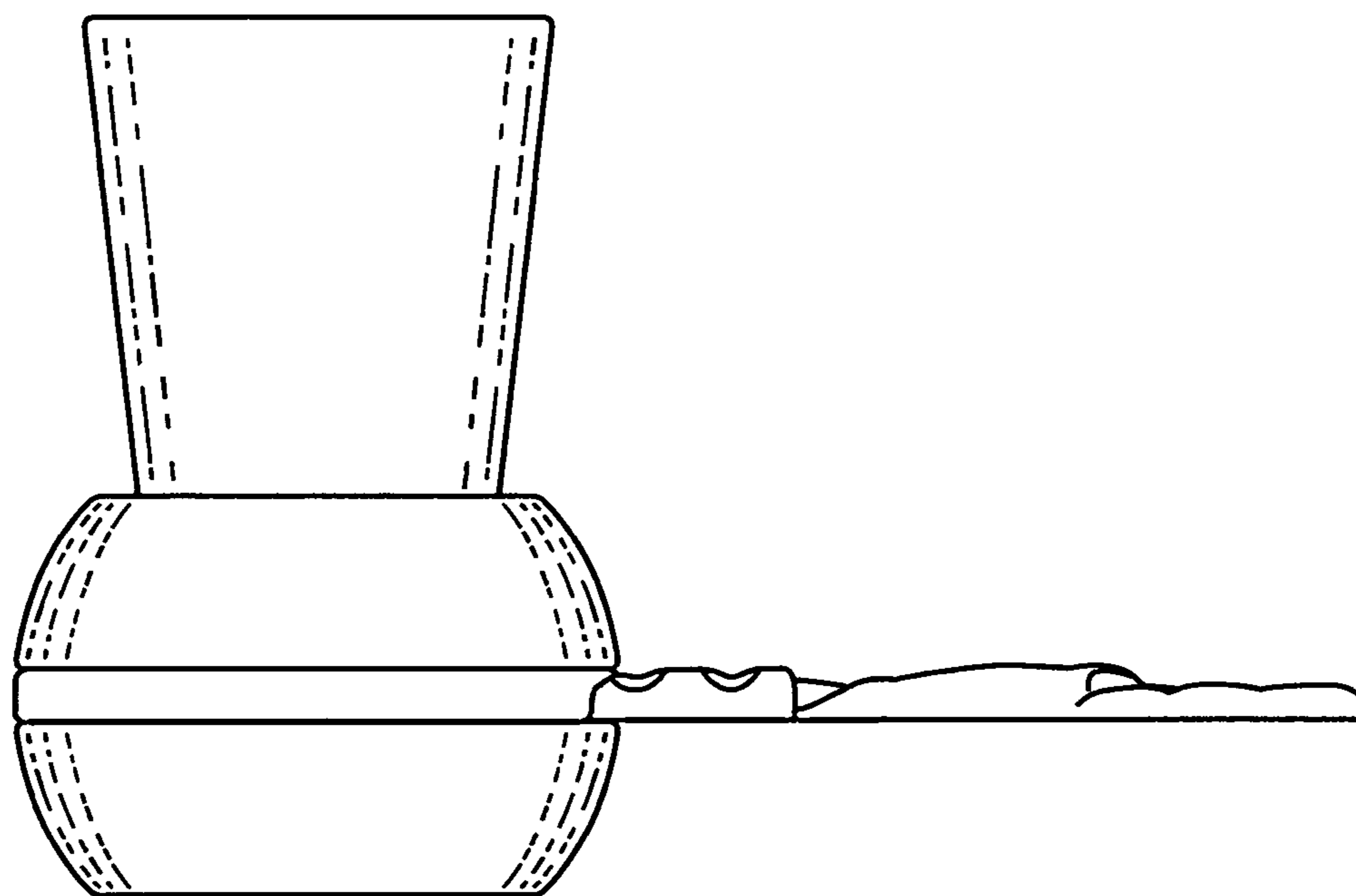


Fig. 7