



US00D743203S

(12) **United States Design Patent**  
**Filho et al.**

(10) **Patent No.:** **US D743,203 S**  
(45) **Date of Patent:** **\*\* Nov. 17, 2015**

(54) **GAS BURNER**

(71) Applicant: **WHIRLPOOL S.A.**, Sao Paulos (BR)

(72) Inventors: **Ricardo Kolb Filho**, Joinville (BR);  
**Emmanuel Machado Vieira**, Joinville  
(BR); **Henrique Cesar De Gaspari**,  
Joinville (BR)

(73) Assignee: **Whirlpool S.A.**, Sao Paulo (BR)

(\*\*) Term: **14 Years**

(21) Appl. No.: **29/459,550**

(22) Filed: **Jul. 1, 2013**

**Related U.S. Application Data**

(62) Division of application No. 29/352,186, filed on Dec.  
17, 2009, now Pat. No. Des. 687,675.

(30) **Foreign Application Priority Data**

Jun. 19, 2009 (BR) ..... DI69021732

(51) **LOC (10) Cl.** ..... **07-02**

(52) **U.S. Cl.**  
USPC ..... **D7/407**

(58) **Field of Classification Search**

USPC ..... D7/332, 334-337, 402-405, 407,  
D7/392.1; 126/25 R, 39 C, 41 R, 25 A,  
126/29-30, 25 AA, 9 R, 37-38, 40, 39 E,  
126/39 H; 99/481-482; D26/118; D23/335,  
D23/386, 342, 415; 392/357; 445/7

See application file for complete search history.

(56) **References Cited**

U.S. PATENT DOCUMENTS

D42,339 S	3/1912	Sherman	
D48,913 S	4/1916	Parisen	
D102,760 S	1/1937	Maul	
D125,112 S	6/1940	Reeves	
D191,085 S	8/1961	Kindl	
D228,766 S	10/1973	Stohrer, Jr.	
D236,418 S	8/1975	Duperow et al.	
5,397,234 A	3/1995	Kwiatek	
D369,517 S	5/1996	Ferlin	
D414,377 S	9/1999	Huang	
6,015,322 A *	1/2000	White et al. ....	445/7
D439,801 S	4/2001	Measom	
D468,963 S	1/2003	Pai	
7,017,572 B2	3/2006	Cadima	
D524,105 S	7/2006	Poltronieri	
D564,296 S	3/2008	Koch et al.	
D565,893 S	4/2008	Pryor et al.	
D565,895 S	4/2008	Pryor et al.	
D581,214 S	11/2008	Rosa et al.	
D581,736 S	12/2008	Besseas	
D642,675 S *	8/2011	Scribano et al. ....	D23/415
8,408,897 B2 *	4/2013	Rossi et al. ....	126/39 H
D687,675 S	8/2013	Filho et al.	

\* cited by examiner

*Primary Examiner* — T. Chase Nelson

*Assistant Examiner* — Mark Cavanna

(74) *Attorney, Agent, or Firm* — Baker & Hostetler LLP

(57) **CLAIM**

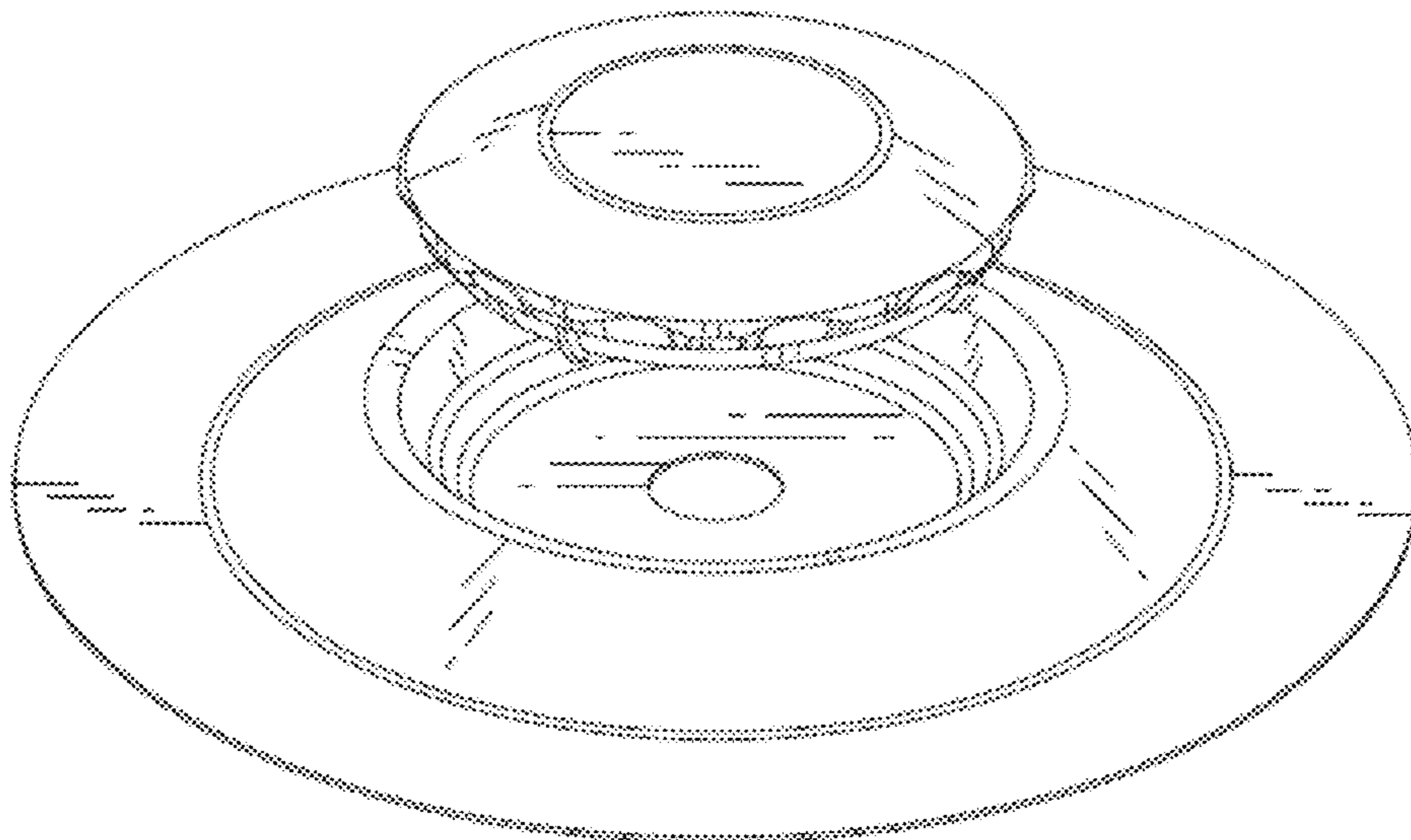
The ornamental design for a gas burner, as shown and described.

**DESCRIPTION**

FIG. 1 is an exploded perspective view of a gas burner showing our new design with the base and cover shown separately for clarity of illustration;

FIG. 2 is a side view of the gas burner shown in FIG. 1; and, FIG. 3 is a top view of the gas burner shown in FIG. 1.

**1 Claim, 2 Drawing Sheets**



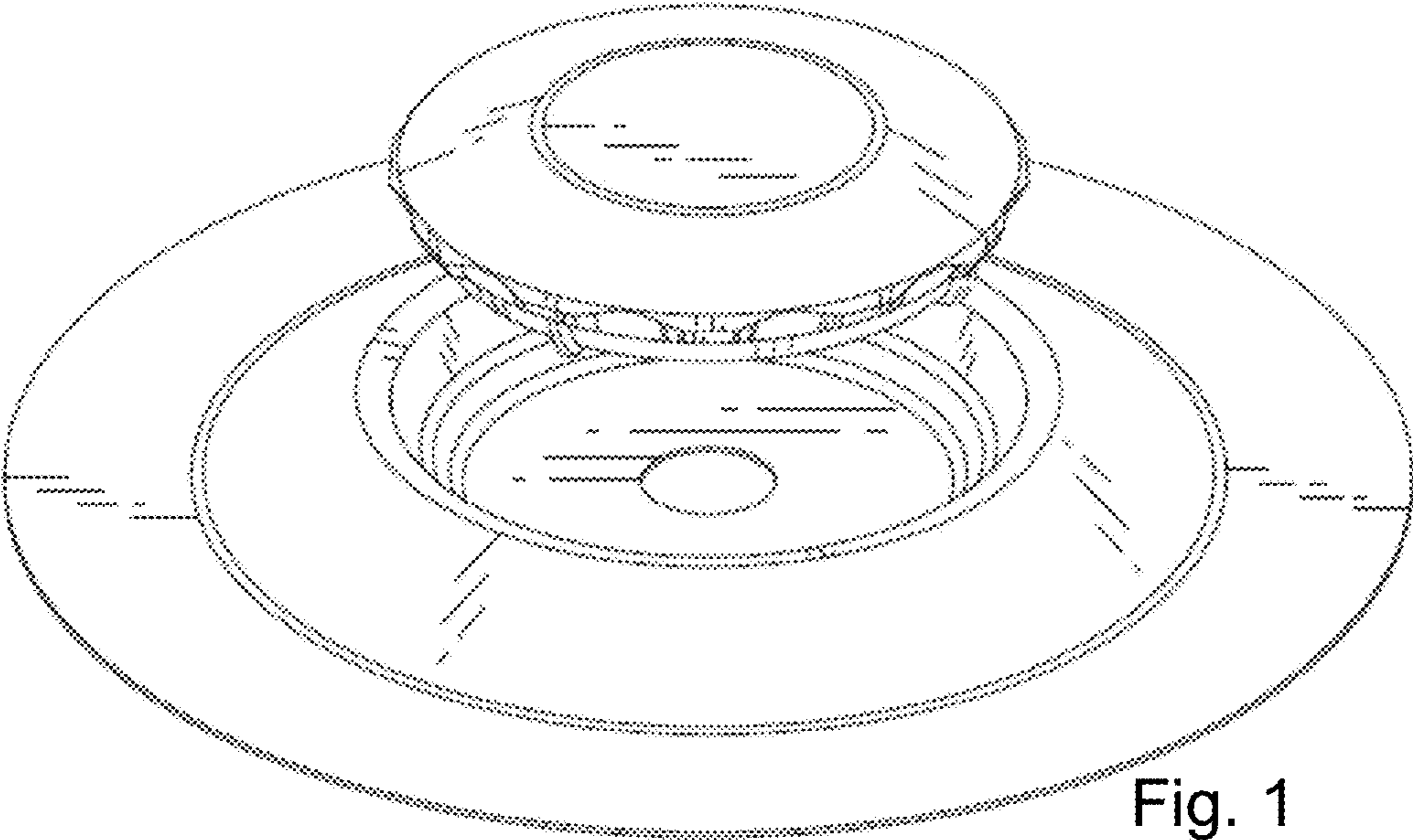


Fig. 1

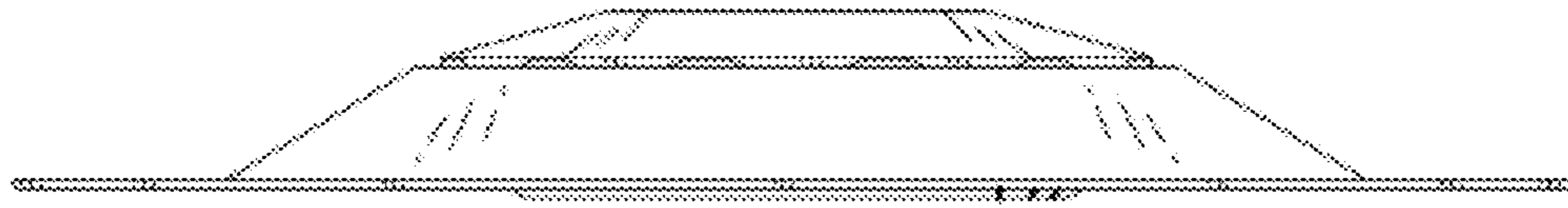


Fig. 2

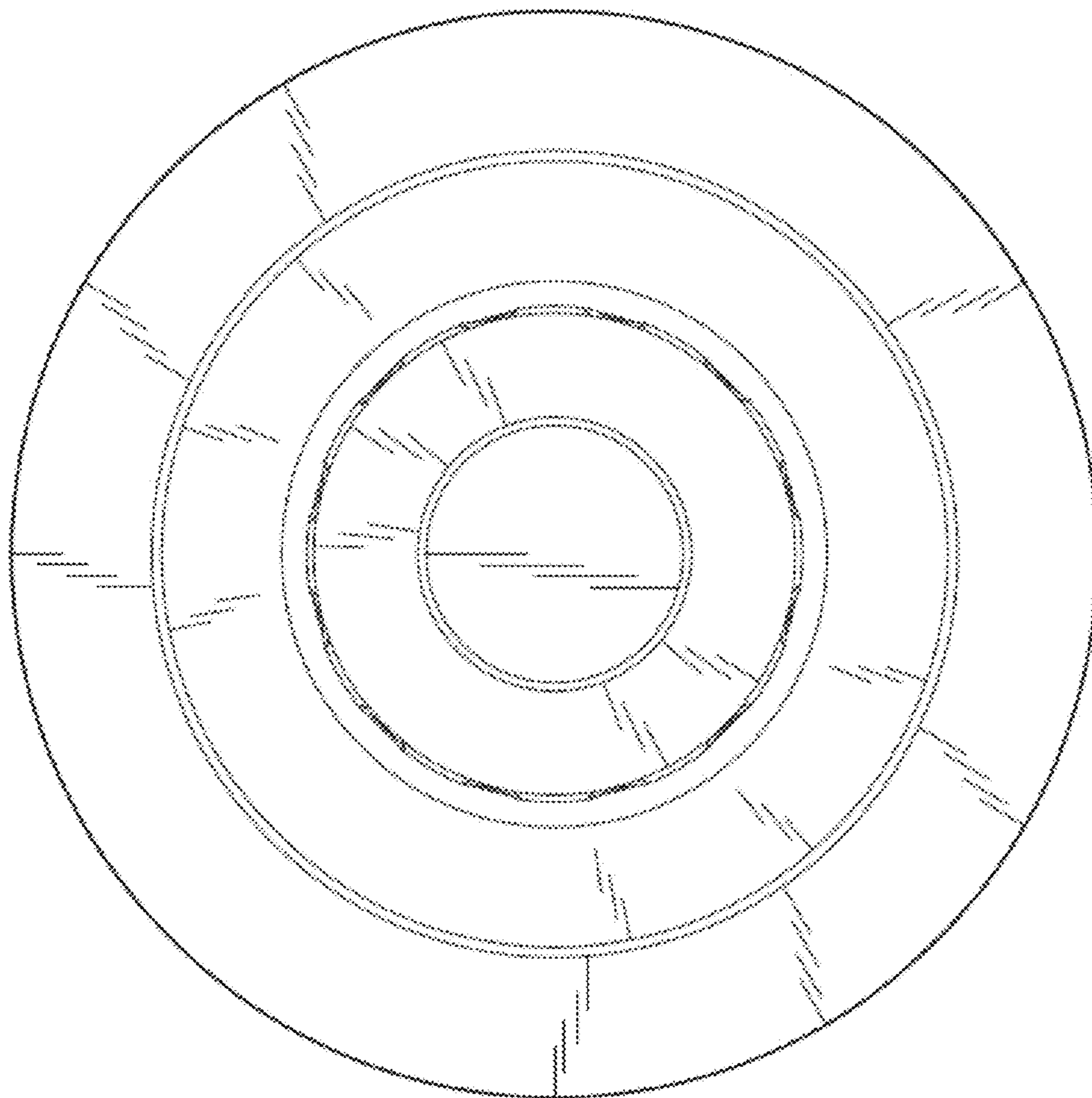


Fig. 3