



US00D743202S

(12) **United States Design Patent**
Sands

(10) **Patent No.:** **US D743,202 S**
(45) **Date of Patent:** **** Nov. 17, 2015**

- (54) **PRESSURE COOKER**
- (71) Applicant: **HOMELAND HOUSEWARES, LLC**,
Los Angeles, CA (US)
- (72) Inventor: **Lenny Sands**, Los Angeles, CA (US)
- (73) Assignee: **Capbran Holdings, LLC**, Los Angeles,
CA (US)
- (**) Term: **14 Years**
- (21) Appl. No.: **29/509,515**
- (22) Filed: **Nov. 18, 2014**
- (51) **LOC (10) Cl.** **07-02**
- (52) **U.S. Cl.**
USPC **D7/358**; D7/354
- (58) **Field of Classification Search**
USPC D7/323, 354-361, 378, 386, 391, 393;
D15/82; D19/73
CPC A47J 27/00; A47J 27/004; A47J 27/08;
A47J 27/0802; A47J 27/0804; A47J 27/0811;
A47J 27/0813; A47J 27/0815; A47J 27/0817;
A47J 27/084; A47J 27/086; A47J 27/09;
A47J 27/092; A47J 36/025; A47J 36/06;
A47J 37/12; A47J 37/1204; A47J 37/1209;
A47J 45/07; A47J 45/071; A47J 45/074;
A47J 45/08; B01D 2201/345; B01J 3/03;
B01J 3/04; F01P 2011/0247; F01P 2011/0252;
H05B 1/0266; H05B 6/00; H05B 6/02;
H05B 6/06
See application file for complete search history.

- (56) **References Cited**
U.S. PATENT DOCUMENTS
D318,398 S * 7/1991 Disco D7/378
D406,154 S * 2/1999 Copland D15/82
6,070,518 A * 6/2000 Kao A47J 27/086
219/465.1
6,135,012 A * 10/2000 Kao A47J 27/0802
219/453.11
D487,668 S * 3/2004 Sands D7/378

- D554,427 S * 11/2007 Sands D7/378
- D580,986 S * 11/2008 Farnworth D19/73
- D592,902 S * 5/2009 Currie D7/355
- D598,700 S * 8/2009 Seymour D7/354
- D611,758 S * 3/2010 Seymour D7/354
- 7,943,888 B2 * 5/2011 Barnes H05B 1/0266
219/432
- D712,196 S * 9/2014 Ho D7/378
- D730,681 S * 6/2015 Smith D7/376

OTHER PUBLICATIONS

Amazon.com Nutribullet product information page, last visited Nov. 17, 2014, [http://www.amazon.com/gp/product/B007TIE0GQ/ref=s9_simh_gw_p79_d0_i1? pf_rd_m=ATVPDKIKX0DER &pf_](http://www.amazon.com/gp/product/B007TIE0GQ/ref=s9_simh_gw_p79_d0_i1?pf_rd_m=ATVPDKIKX0DER&pf_).

* cited by examiner

Primary Examiner — Ricky Pham
(74) *Attorney, Agent, or Firm* — Trojan Law Offices

(57) **CLAIM**
The ornamental design for a pressure cooker, as shown and described.

DESCRIPTION

FIG. 1 is a front perspective view of a pressure cooker showing my new design. The buttons and digital display of the front panel on the base of the pressure cooker are represented in broken lines.

FIG. 2 is a back perspective view of the pressure cooker shown in FIG. 1. The electrical socket at the bottom, the back joint and panel area, and the air pore area right above the wave-shaped base are represented in broken lines.

FIG. 3 is a front view of the pressure cooker shown in FIG. 1.

FIG. 4 is a back view of the pressure cooker shown in FIG. 1.

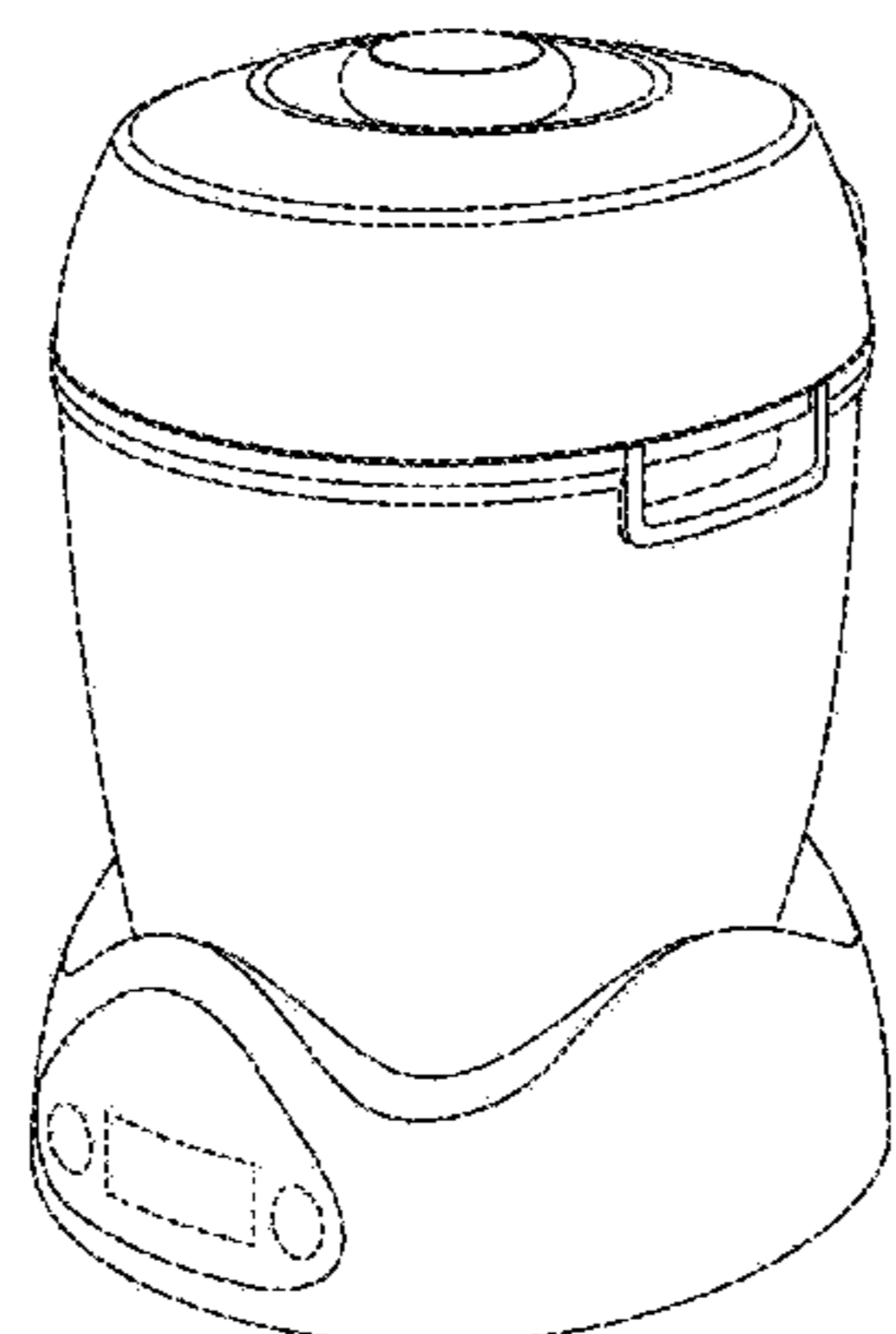
FIG. 5 is a left side view of the pressure cooker shown in FIG. 1.

FIG. 6 is a right side view of the pressure cooker shown in FIG. 1.

FIG. 7 is a top view of the pressure cooker shown in FIG. 1; and,

FIG. 8 is a bottom view of the pressure cooker shown in FIG. 1. The bottom vents are represented in broken lines. The broken lines are for illustrative purpose only and form no part of the claimed design.

1 Claim, 4 Drawing Sheets



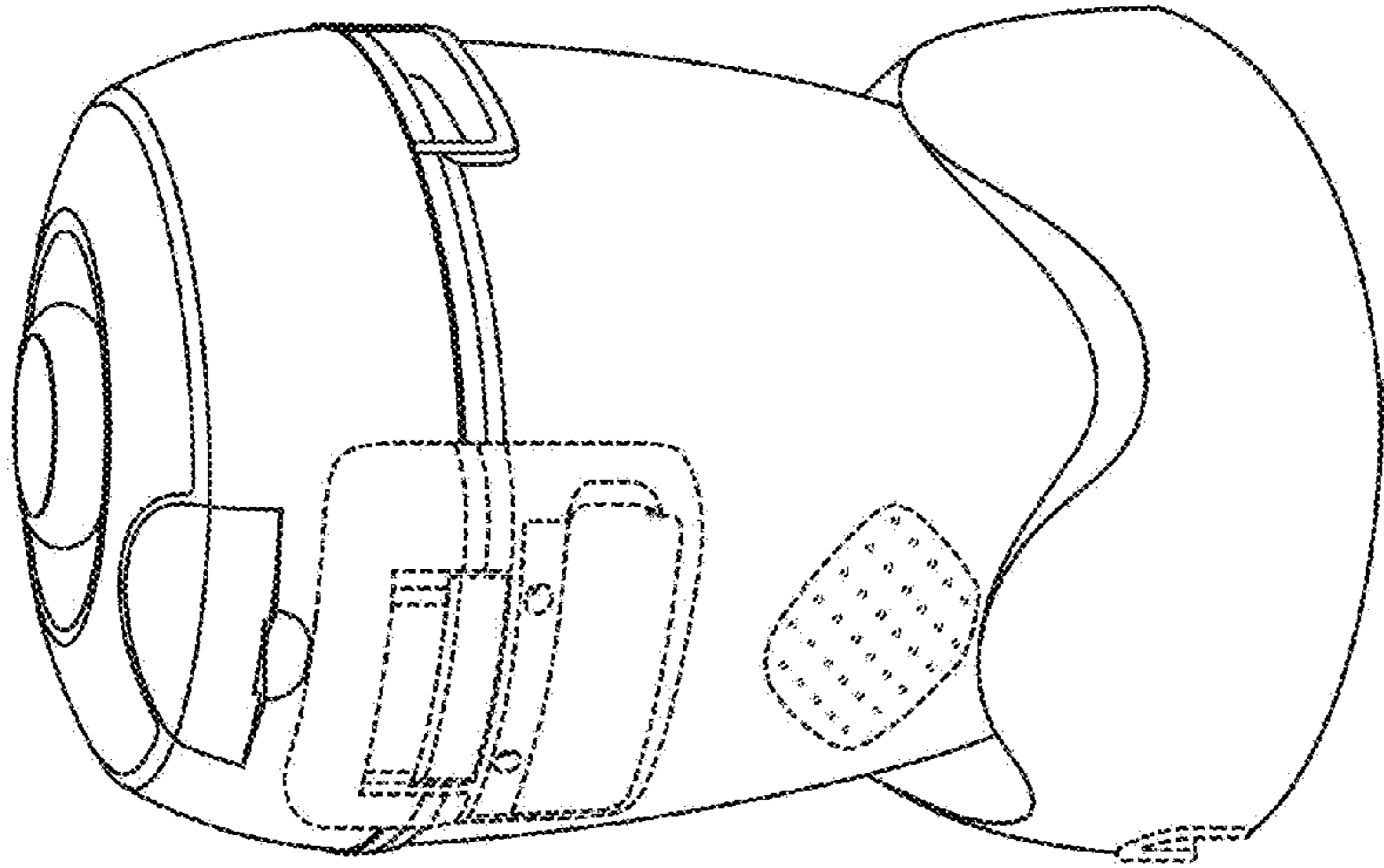


Fig. 2

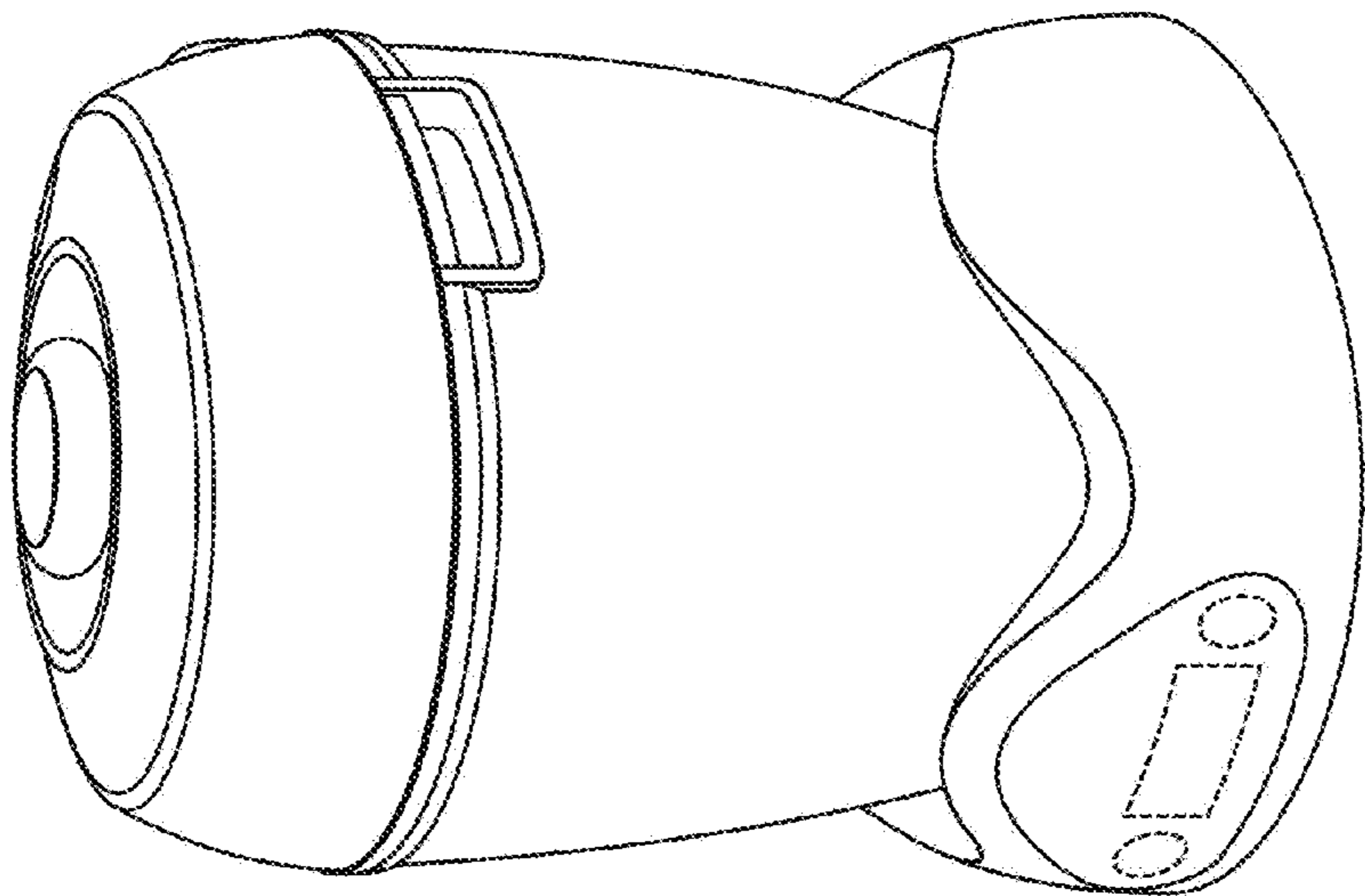


Fig. 1

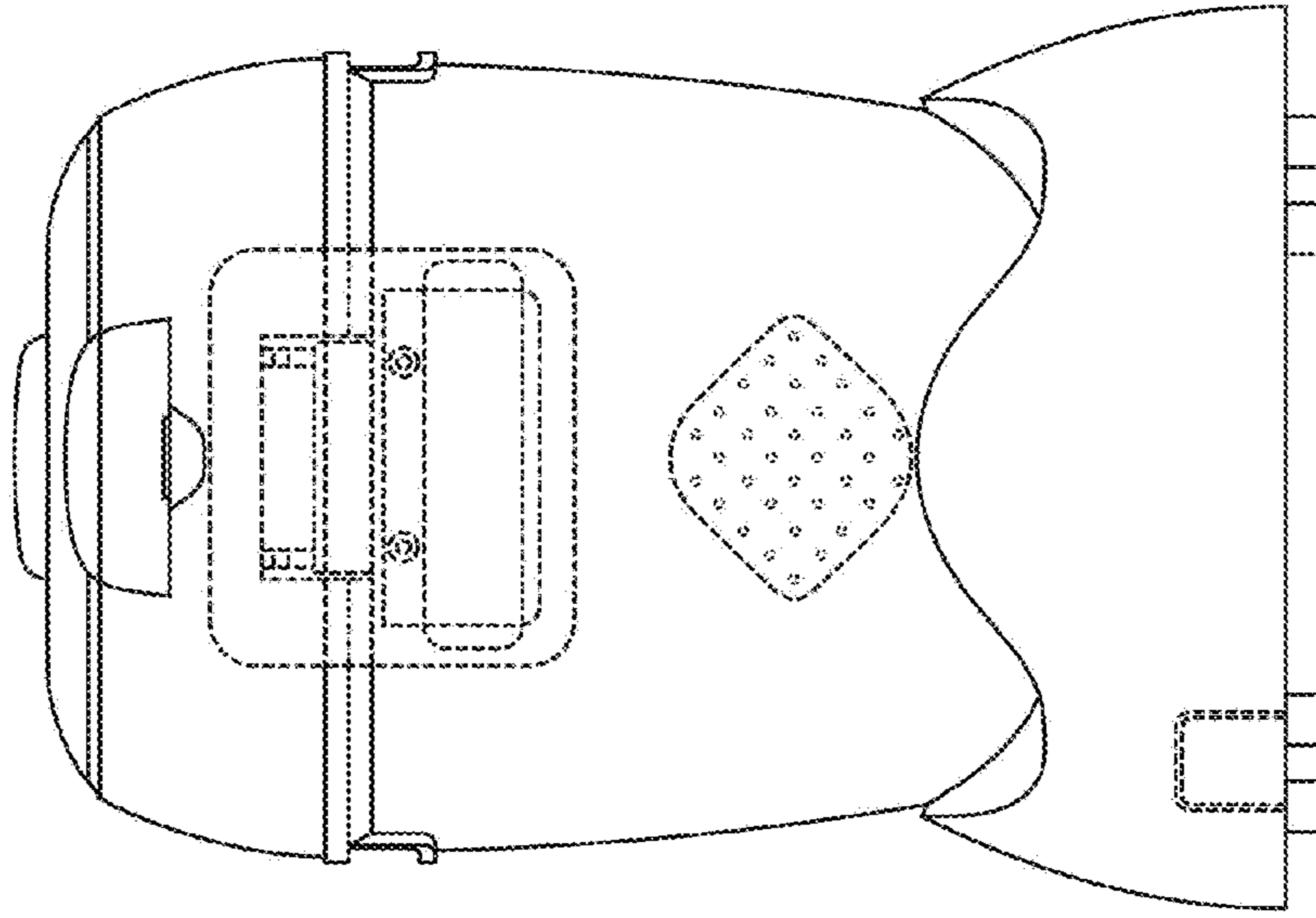


Fig. 3

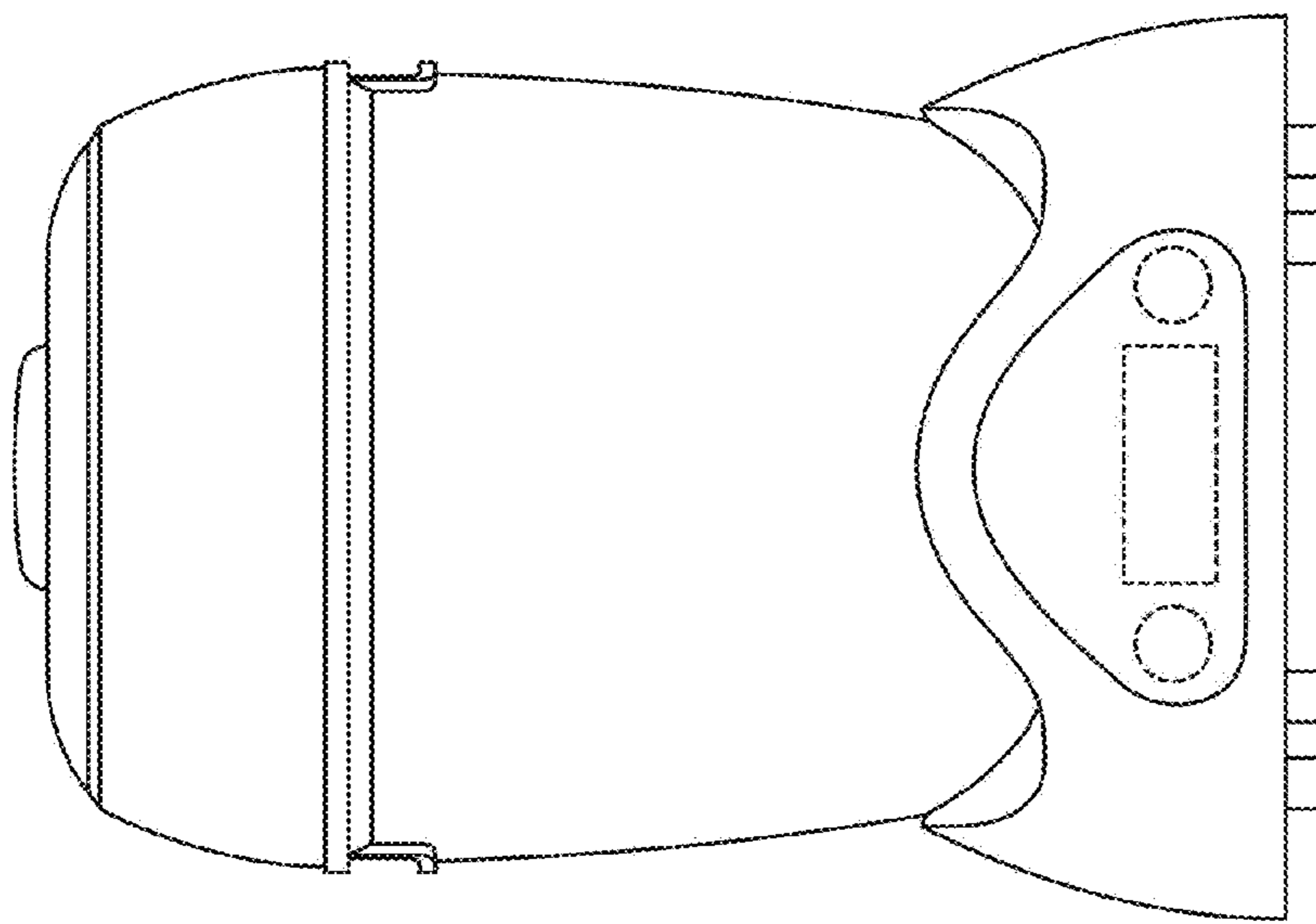


Fig. 4

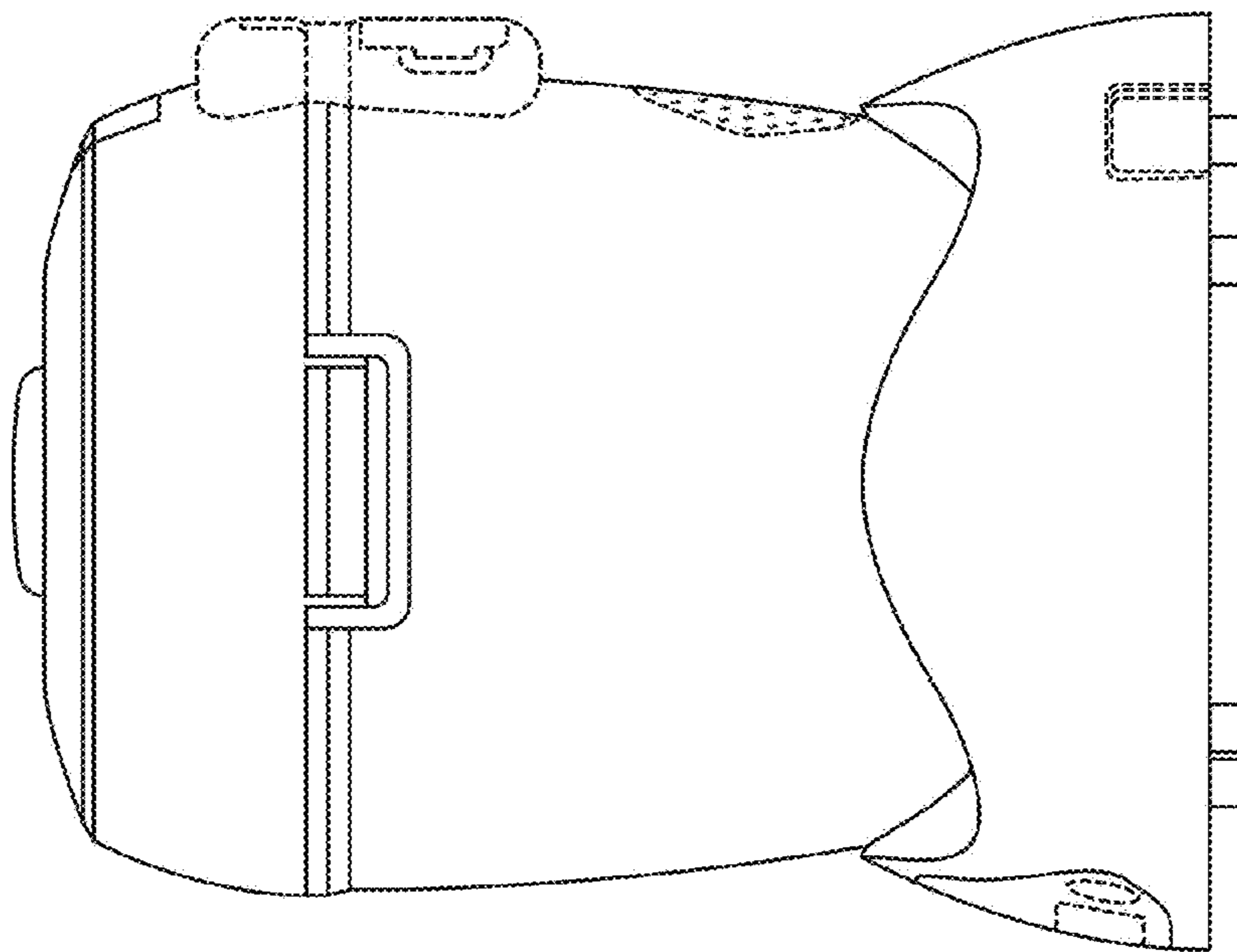


Fig. 5

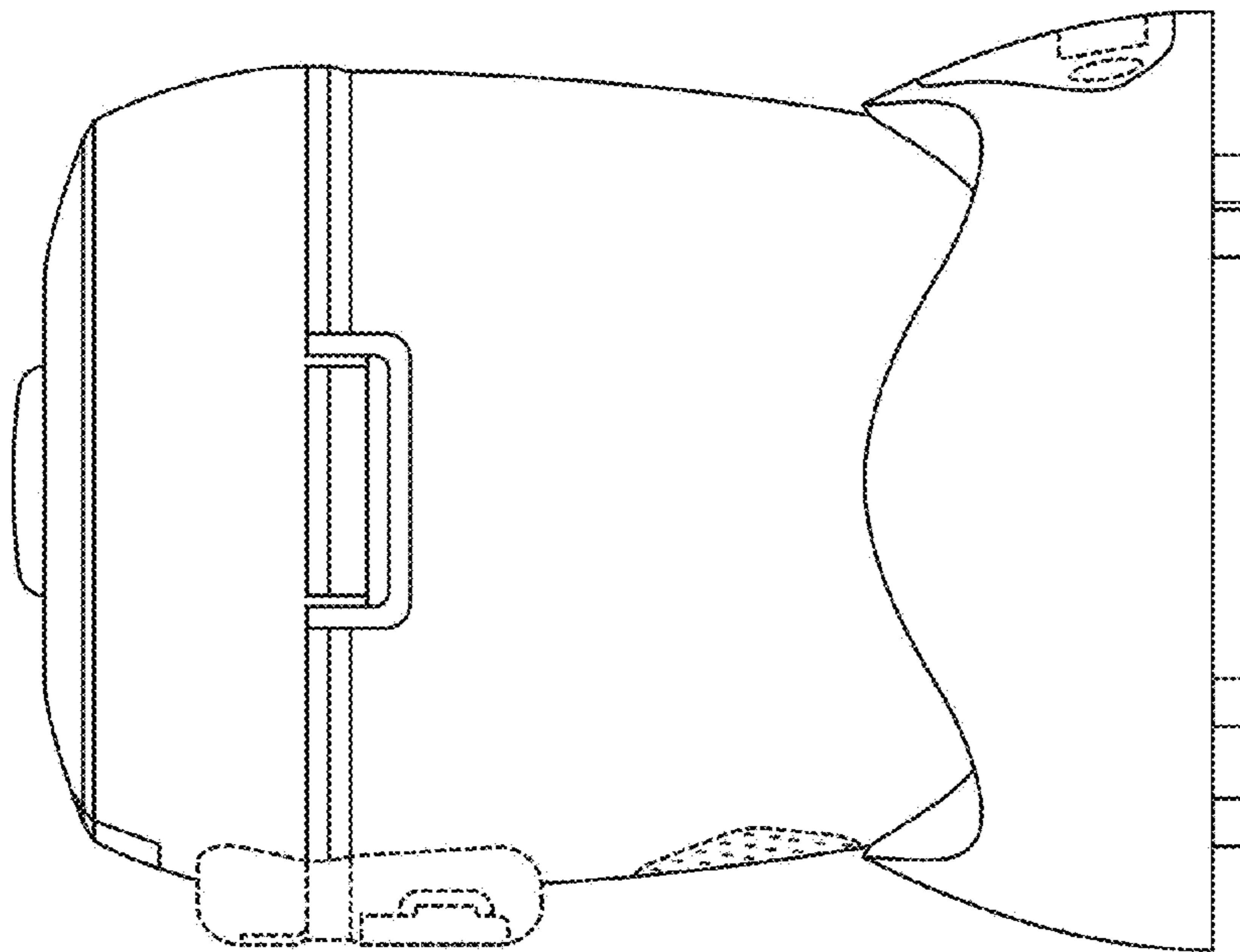


Fig. 6

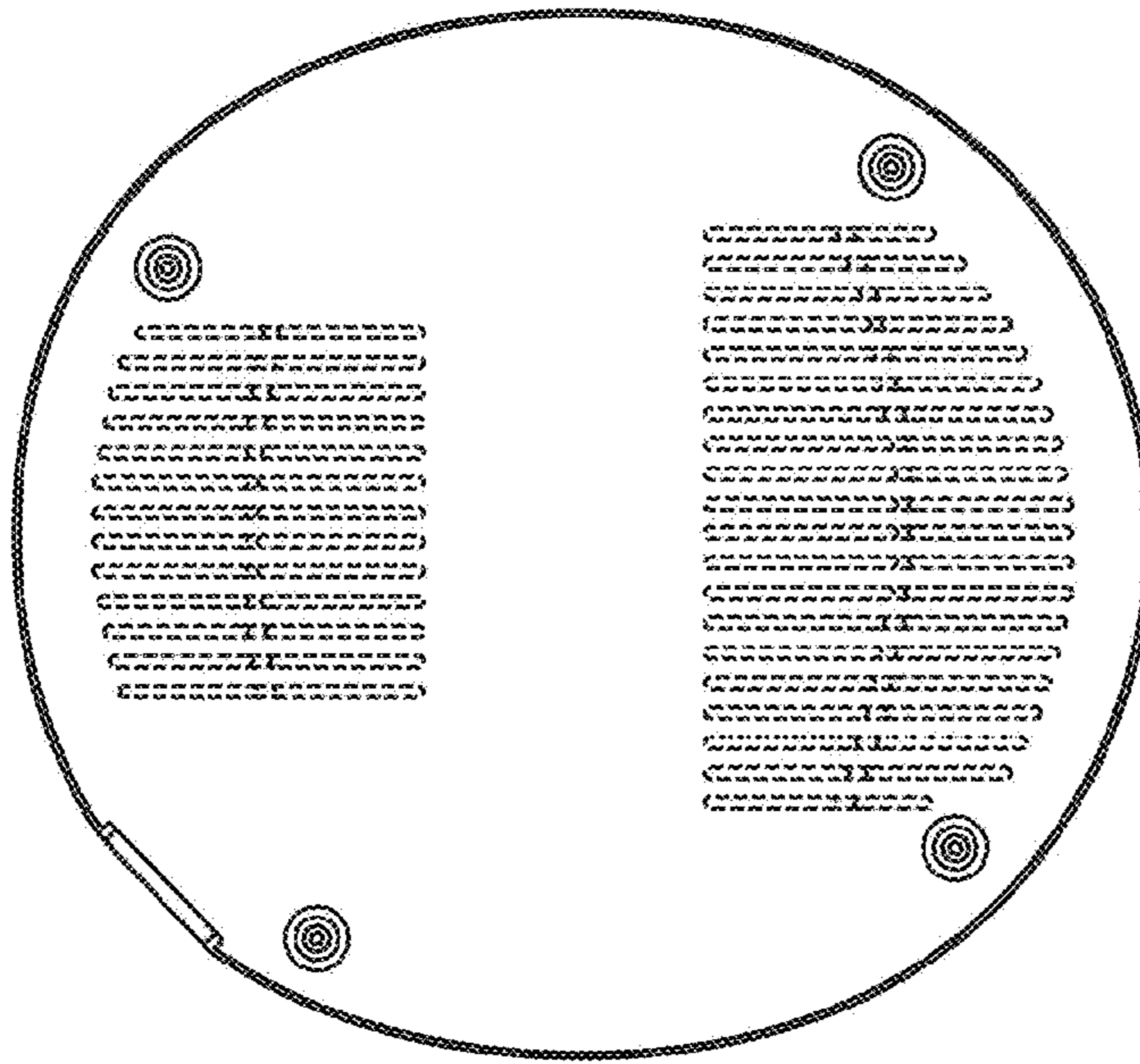


Fig. 7

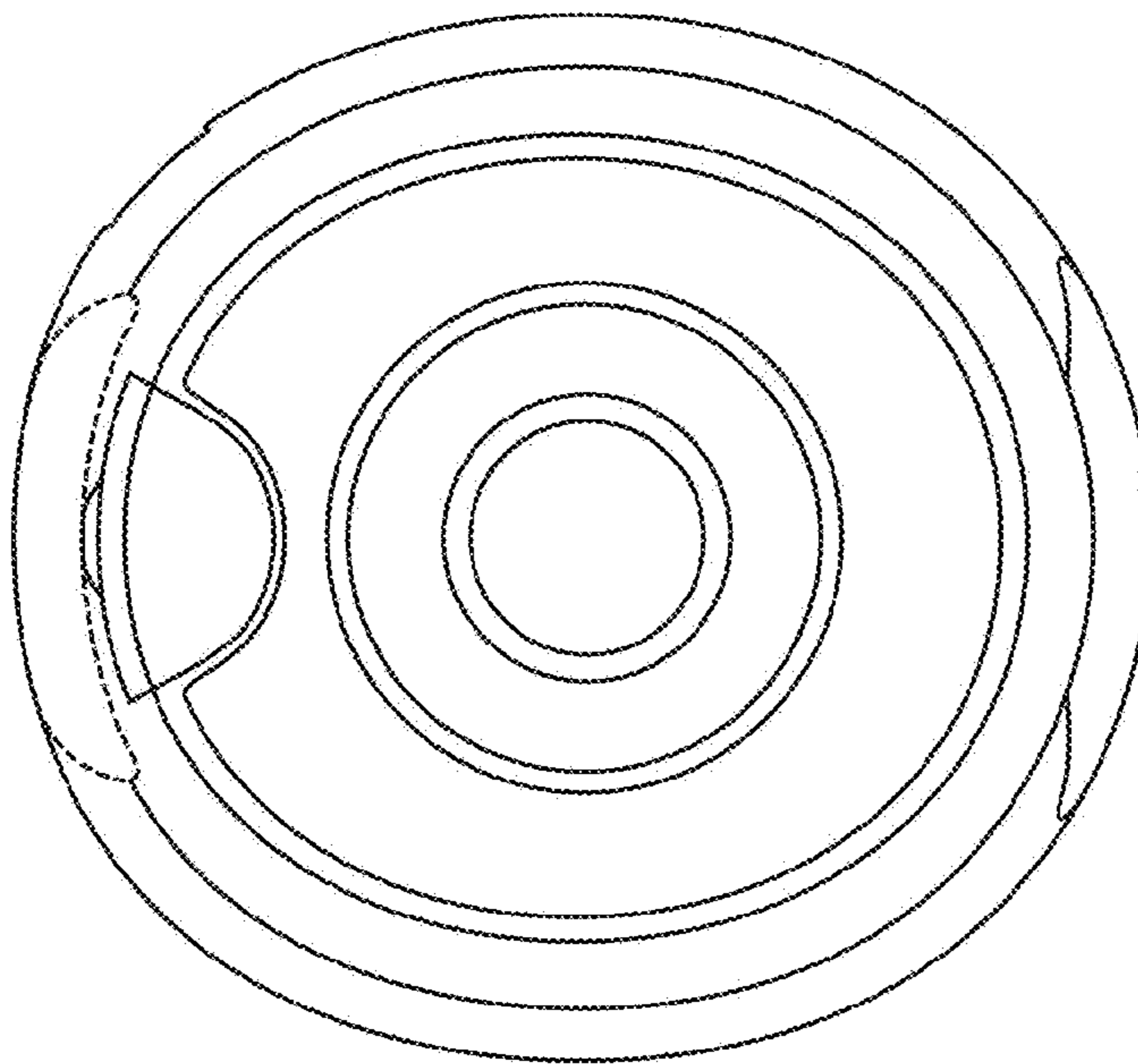


Fig. 8