



US00D743201S

(12) **United States Design Patent**  
**Aderka**

(10) **Patent No.:** **US D743,201 S**

(45) **Date of Patent:** **\*\* Nov. 17, 2015**

(54) **AIR FRYER**

(71) Applicant: **E. Mishan & Sons, Inc.**, New York, NY  
(US)

(72) Inventor: **Inbal Zahava Aderka**, Brooklyn, NY  
(US)

(73) Assignee: **E. Mishan & Sons, Inc.**, New York, NY  
(US)

(\*\*) Term: **14 Years**

(21) Appl. No.: **29/498,897**

(22) Filed: **Aug. 8, 2014**

(51) **LOC (10) Cl.** ..... **07-02**

(52) **U.S. Cl.**  
USPC ..... **D7/354**

(58) **Field of Classification Search**

USPC ..... D7/323, 354-361, 391, 368, 393, 402

CPC ..... A47J 27/00; A47J 27/004; A47J 27/08;

A47J 27/0802; A47J 27/0804; A47J 27/0811;

A47J 27/0813; A47J 27/0815; A47J 27/0817;

A47J 27/084; A47J 27/09; A47J 27/092;

A47J 36/025; A47J 36/06; A47J 36/12;

A47J 37/015; A47J 37/0623; A47J 37/12;

A47J 37/1204; A47J 37/1209; A47J 45/07;

A47J 45/071; A47J 45/074; A47J 45/08;

B01D 2201/345; B01J 3/03; B01J 3/04;

F01P 2011/0247; F01P 2011/0252; F24C

7/00; H05B 6/00; H05B 6/02; H05B 6/06

See application file for complete search history.

(56) **References Cited**

U.S. PATENT DOCUMENTS

D324,151 S \* 2/1992 Barrault ..... D7/354

5,165,328 A \* 11/1992 Erickson ..... A47J 37/015

126/21 A

(Continued)

*Primary Examiner* — Ricky Pham

(74) *Attorney, Agent, or Firm* — Notaro, Michalos &  
Zaccaria P.C.

(57) **CLAIM**

The ornamental design for an air fryer, as shown and described.

**DESCRIPTION**

FIG. 1 is a top, front, left perspective view of an air fryer showing my new design therefor;

FIG. 2 is a front elevation view thereof;

FIG. 3 is a rear elevational view thereof;

FIG. 4 is a right side elevational view thereof, with the left view being identical;

FIG. 5 is a top plan view thereof;

FIG. 6 is a bottom plan view thereof; and

FIG. 7 is a view similar to FIG. 1 showing the air fryer with its handle in a different position;

FIG. 8 is a front elevational view of the position shown in FIG. 7;

FIG. 9 is a rear elevational view of the position shown in FIG. 7;

FIG. 10 is a side elevational view of the position shown in FIG. 7, the opposite side being identical;

FIG. 11 is a top plan view of the position shown in FIG. 7;

FIG. 12 is a bottom plan view of the position shown in FIG. 7;

FIG. 13 is a top, front left perspective of the upper part of an air fryer for separate protection independent of the bottom part;

FIG. 14 is a front elevational view of the design shown in FIG. 13;

FIG. 15 is a rear elevational view of the design shown in FIG. 13;

FIG. 16 is a side elevational view of the design shown in FIG. 13;

FIG. 17 is a top plan view of the design shown in FIG. 13;

FIG. 18 is a bottom plan view of the design shown in FIG. 13;

FIG. 19 is a top, front, left perspective view of the bottom portion of an air fryer showing my new design therefore for independent protection;

FIG. 20 is a front, elevational view of the design shown in FIG. 19, the rear view being identical;

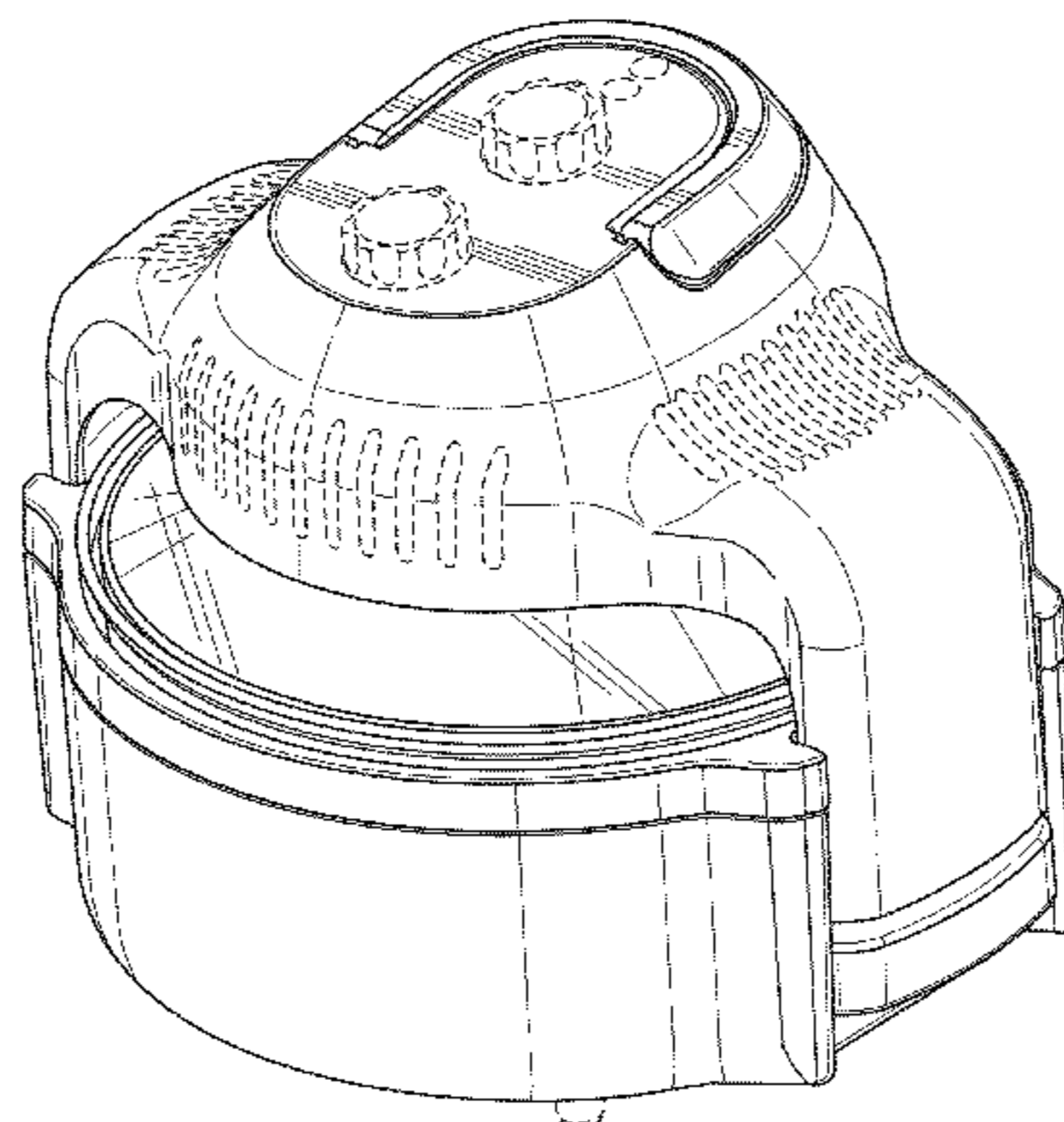
FIG. 21 is a side elevational view of the design shown in FIG. 19, the opposite side being identical;

FIG. 22 is a top plan view of the design shown in FIG. 19; and,

FIG. 23 is a bottom plan view of the design shown in FIG. 19.

Through out the drawings the broken lines depict environment and form no part of the design.

**1 Claim, 22 Drawing Sheets**



# US D743,201 S

Page 2

(56)

## References Cited

### U.S. PATENT DOCUMENTS

5,245,159	A *	9/1993	Chang	.....	F24C 7/00					D549,517	S *	8/2007	Moran	.....	D7/358
					126/21 A					D651,456	S *	1/2012	Moon	.....	D7/402
5,466,912	A *	11/1995	Dornbush	.....	A47J 36/12					8,330,083	B2 *	12/2012	Moon	.....	A47J 37/0623
					126/21 A										219/412
D380,504	S *	7/1997	Yang	.....	D21/525					D693,643	S *	11/2013	Moon	.....	D7/402
D486,352	S *	2/2004	Park	.....	D7/358					D728,301	S *	5/2015	Hack	.....	D7/368
										2009/0139981	A1 *	6/2009	Moon	.....	A47J 37/0623
															219/490

\* cited by examiner

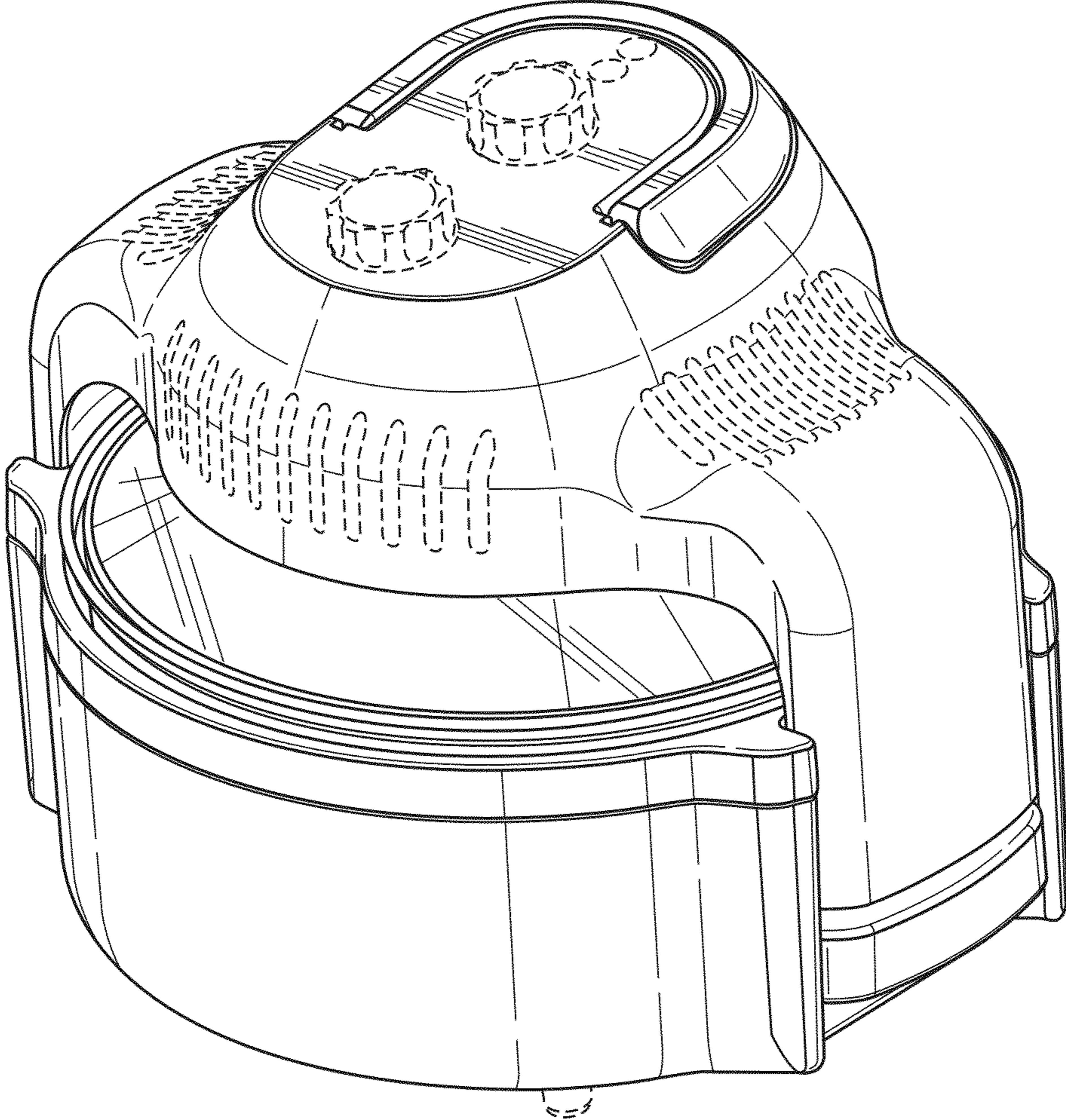


FIG. 1

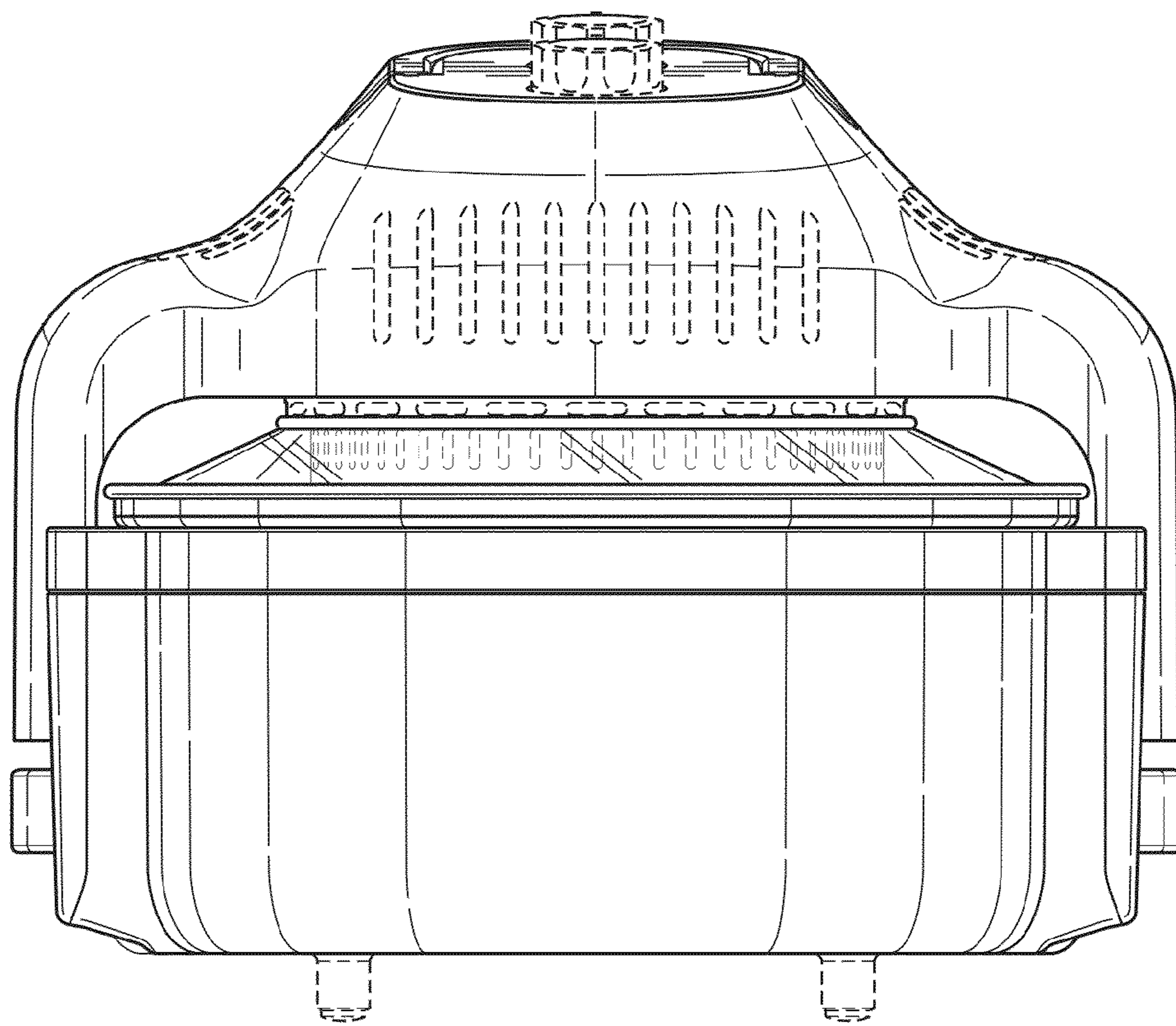


FIG. 2

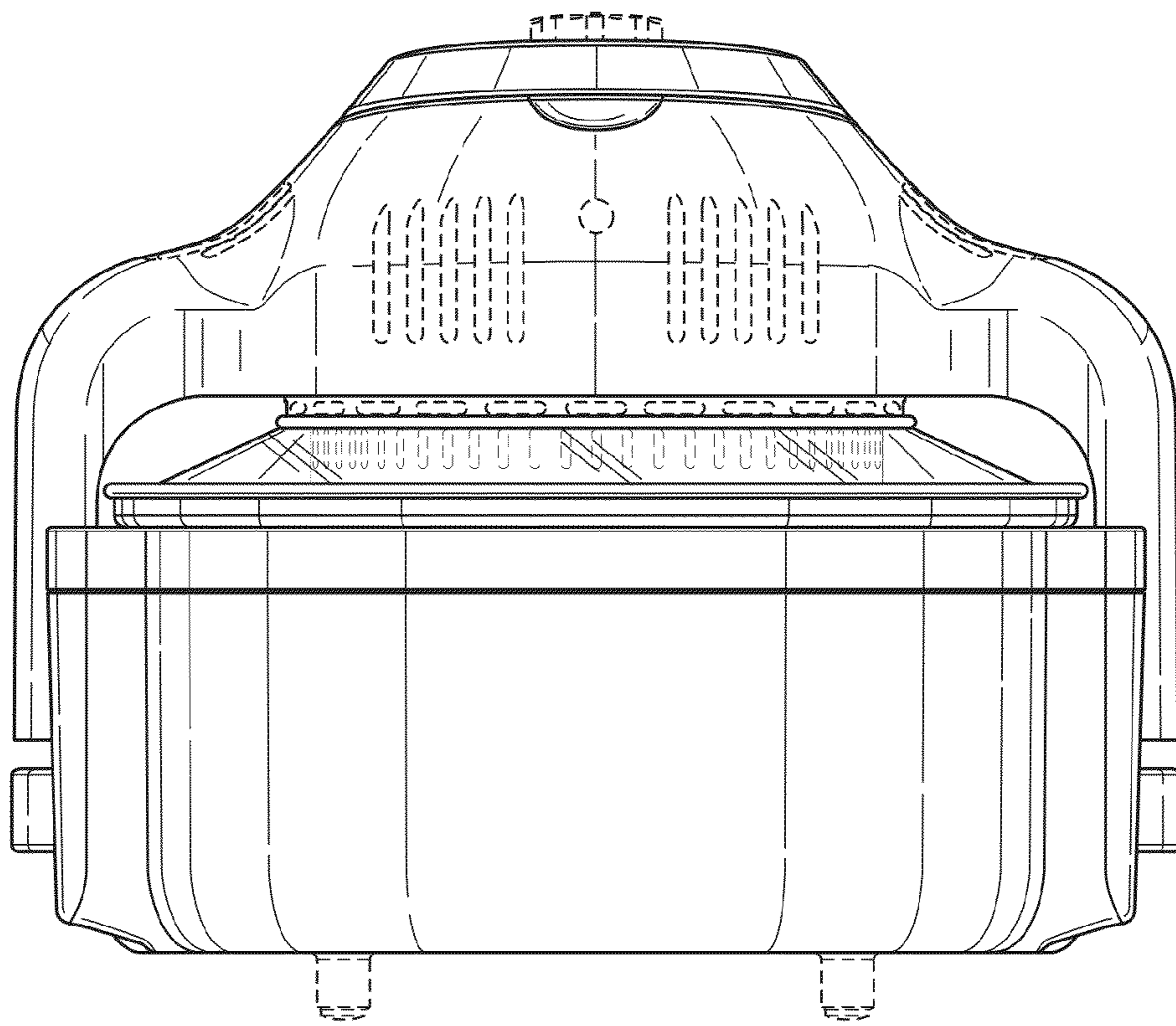


FIG. 3

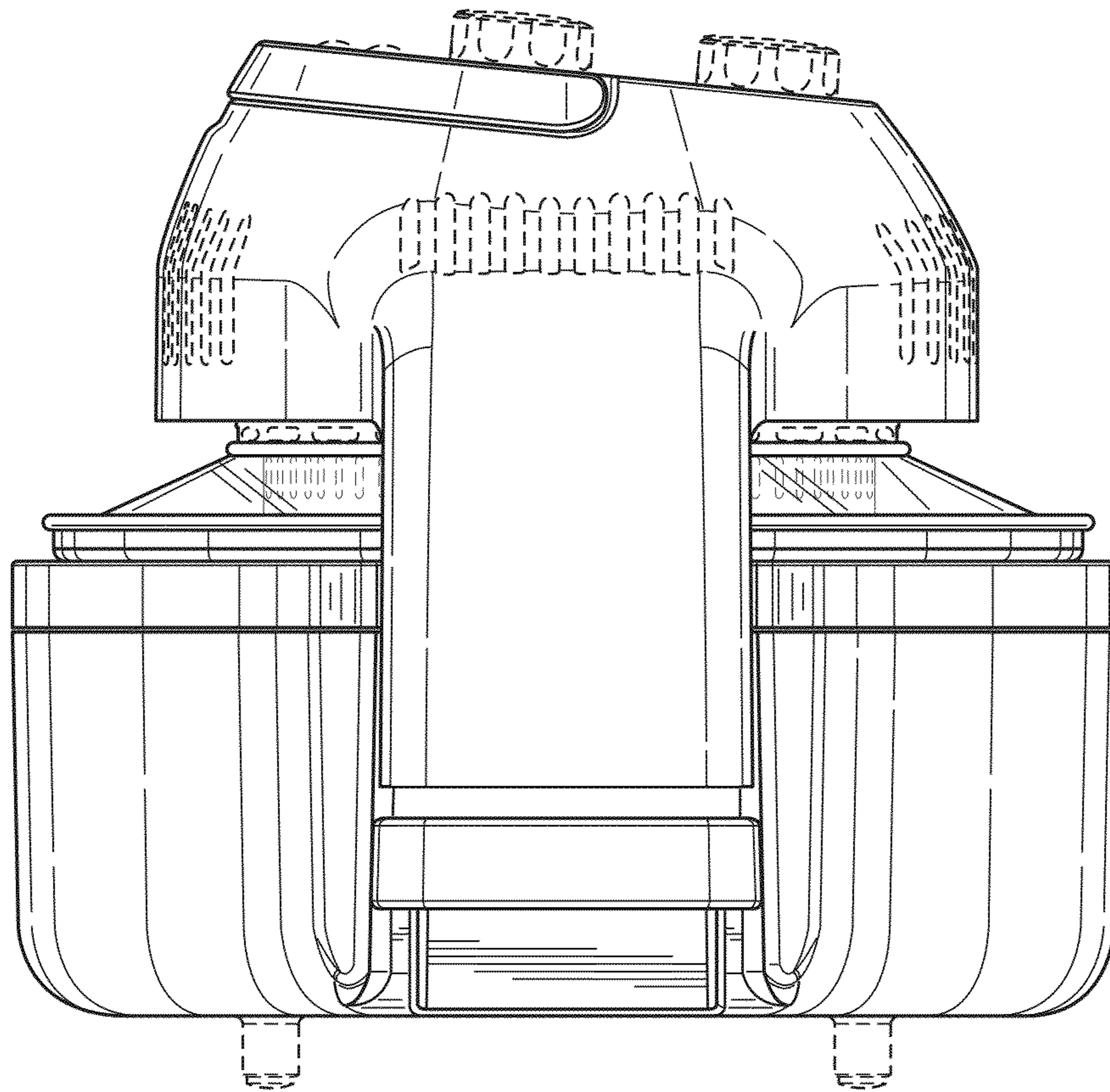


FIG. 4

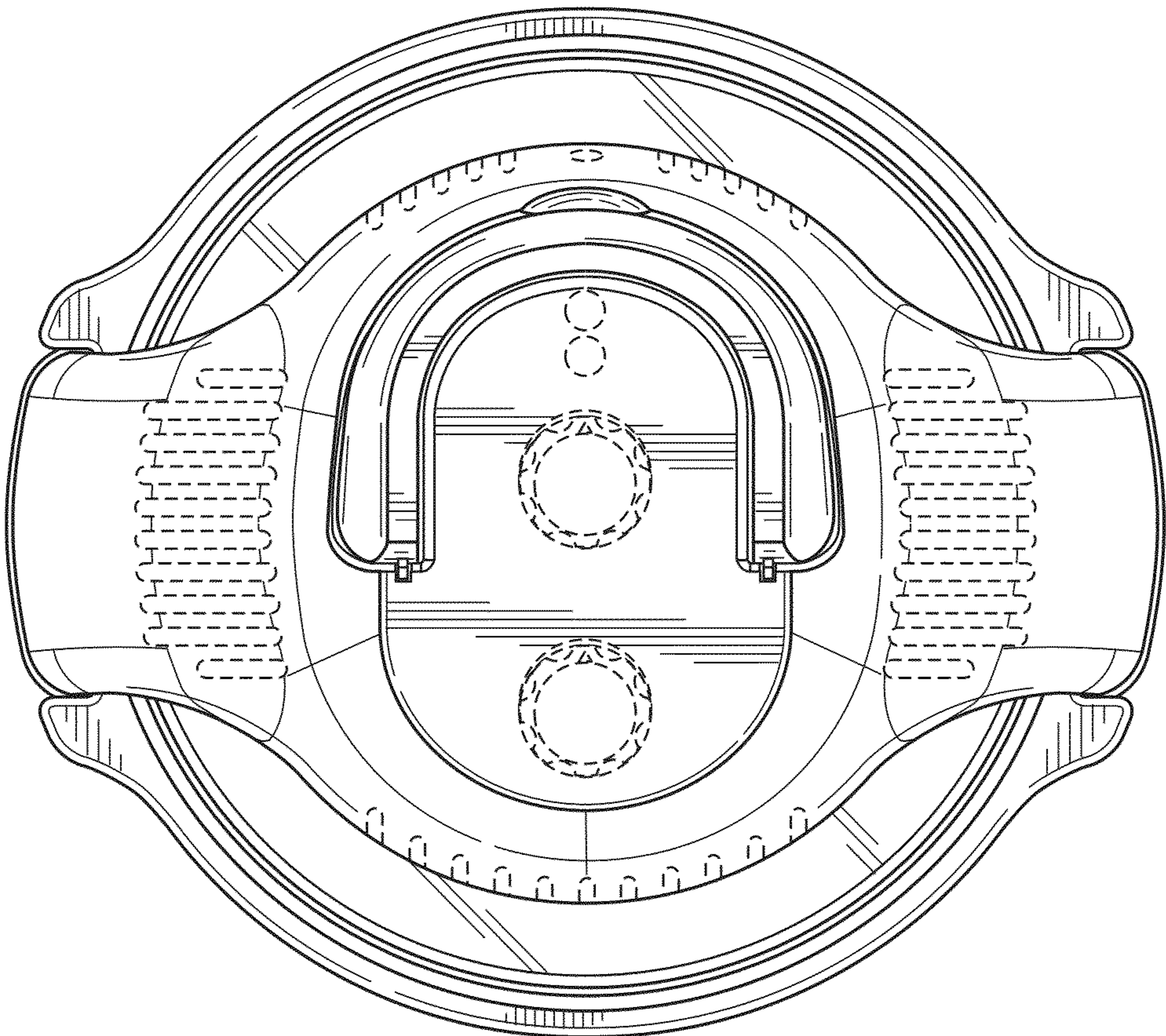


FIG. 5

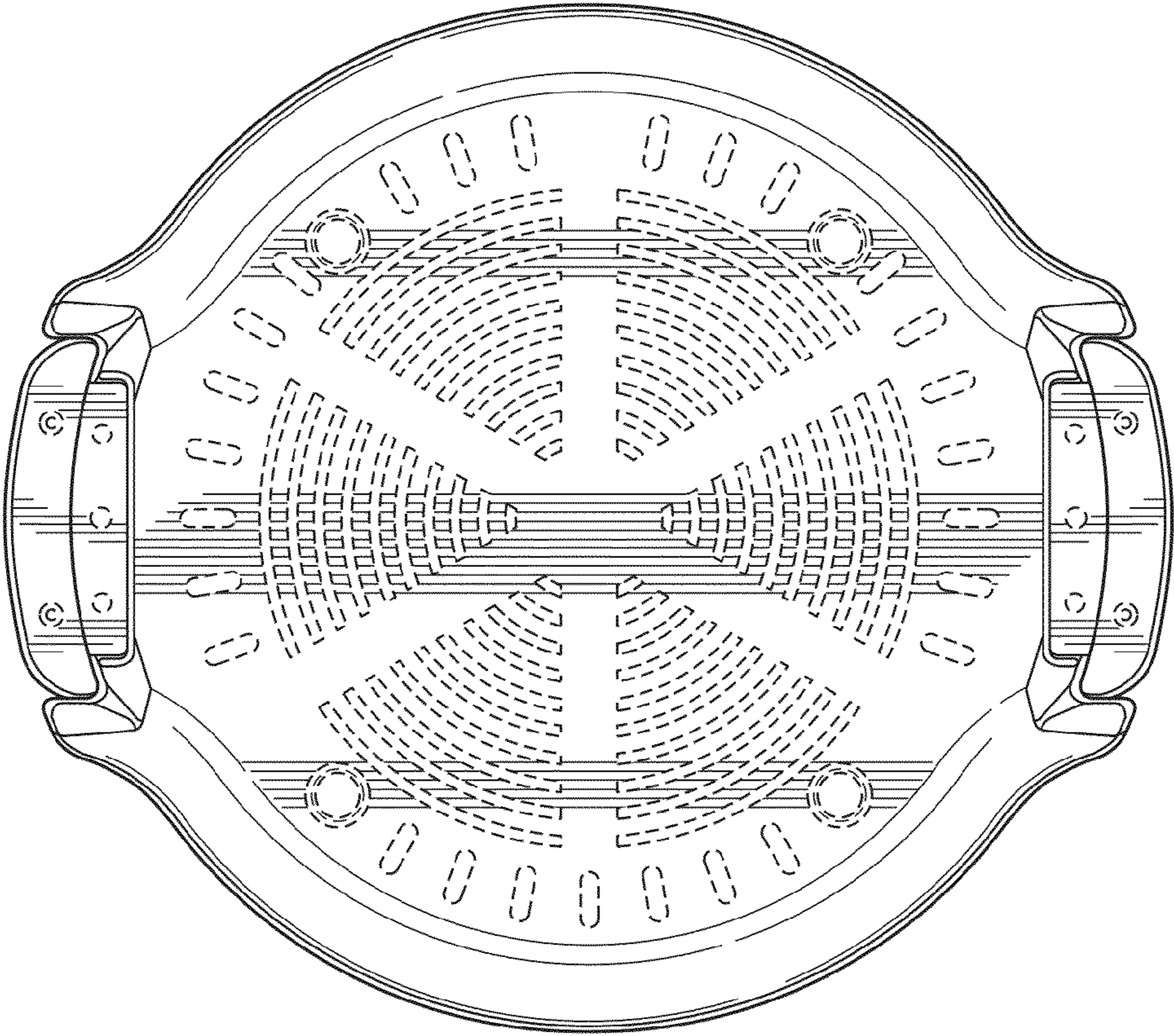


FIG. 6



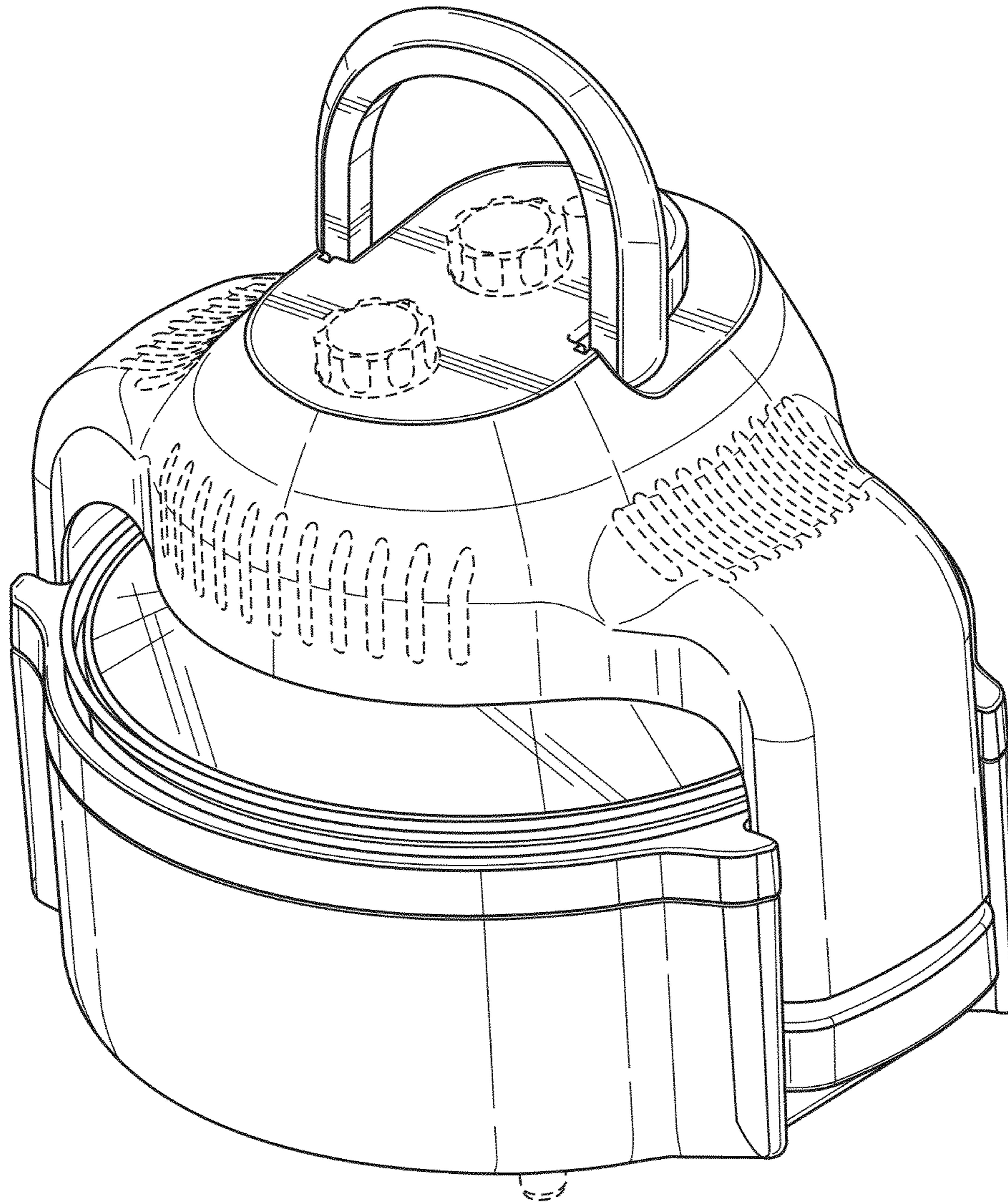


FIG. 7

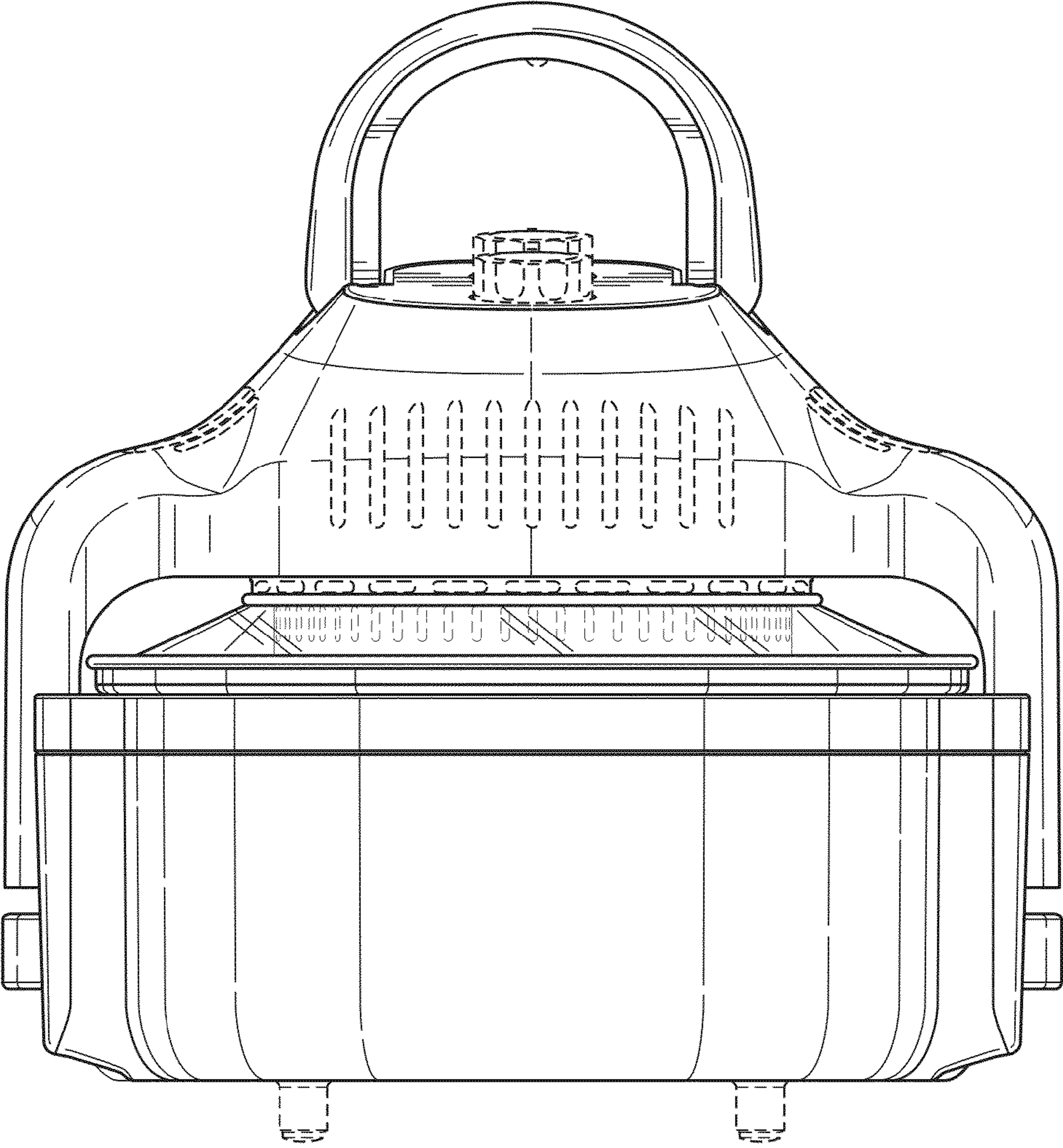


FIG. 8

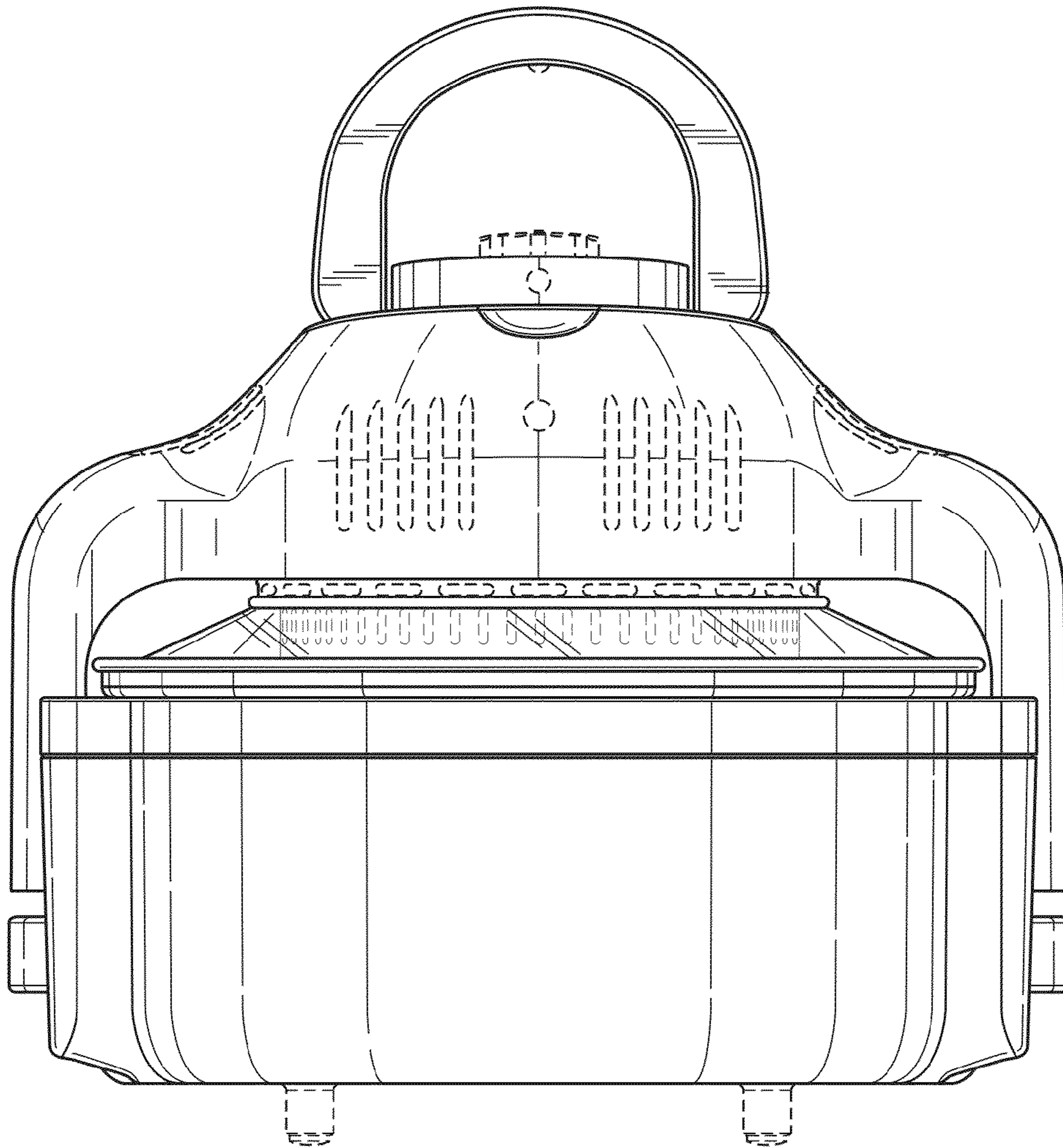


FIG. 9

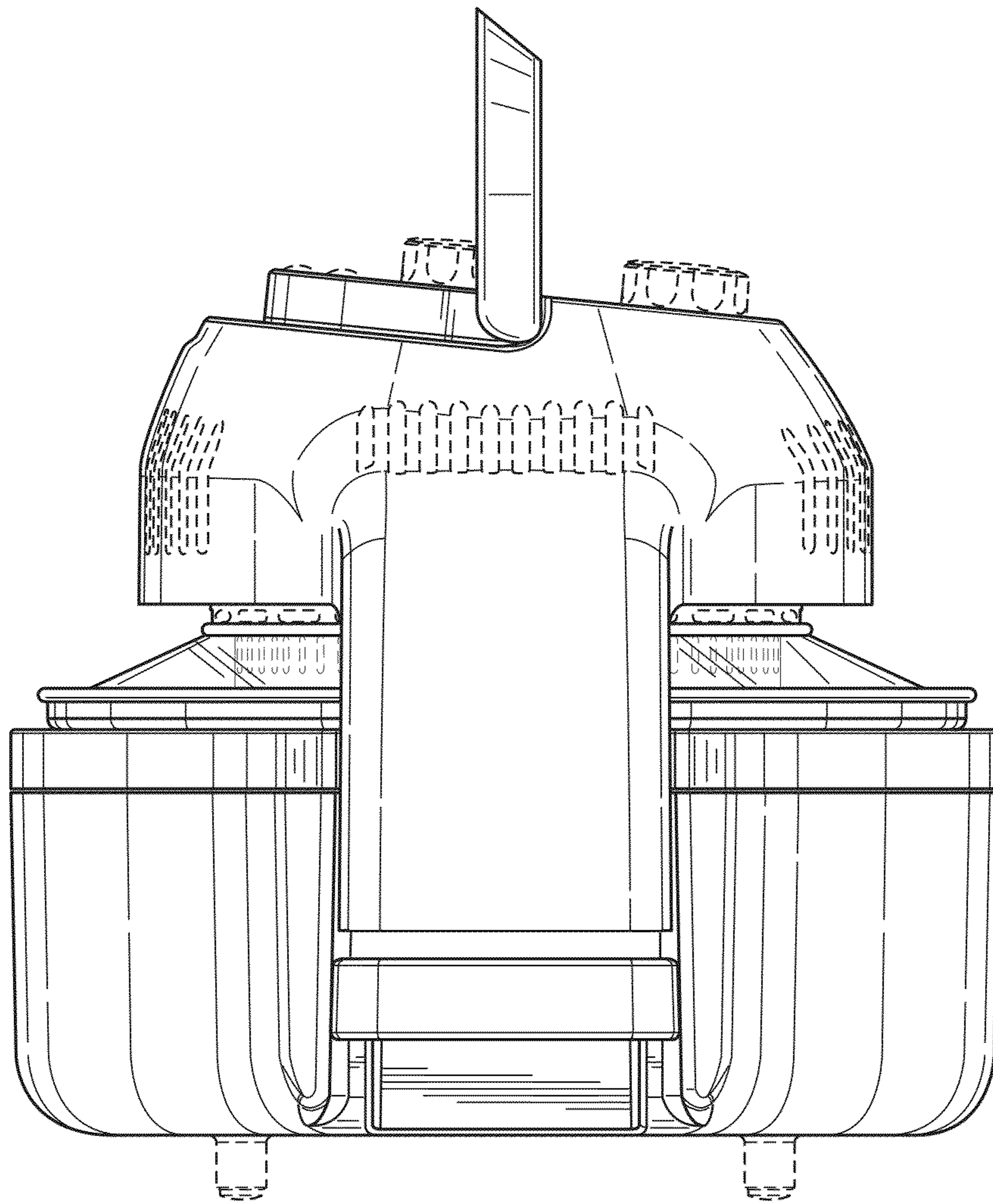


FIG. 10

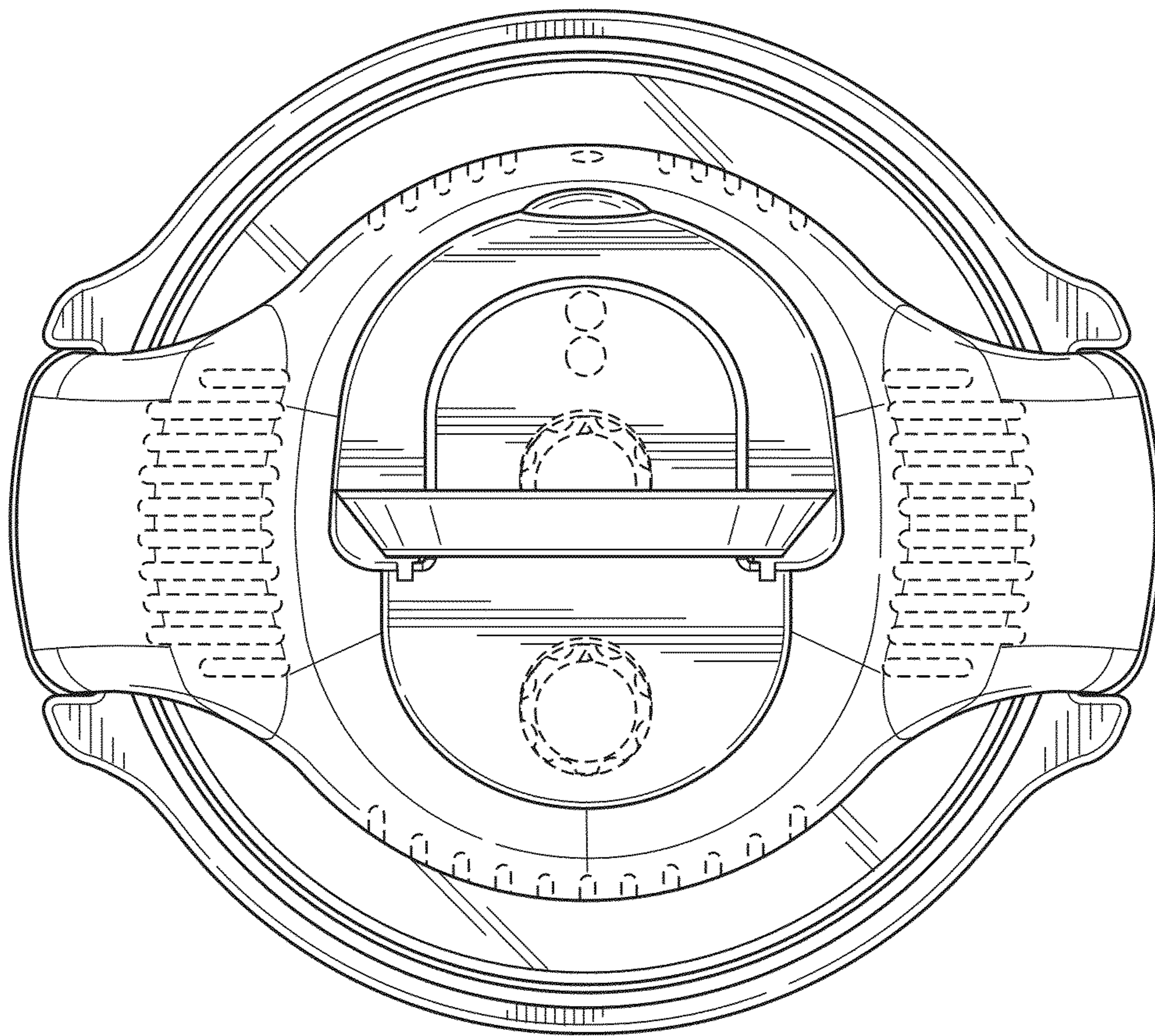


FIG. 11

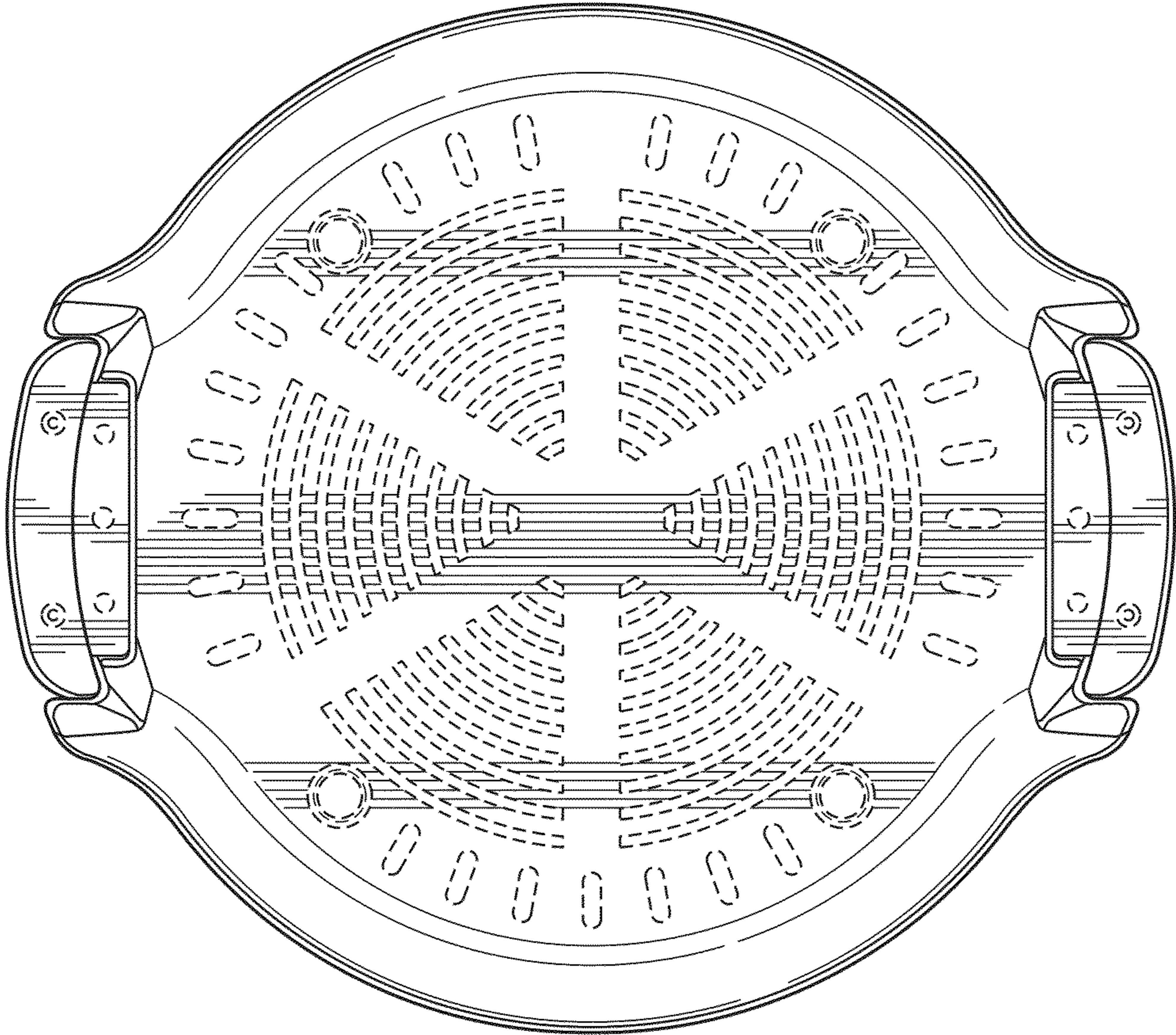


FIG. 12

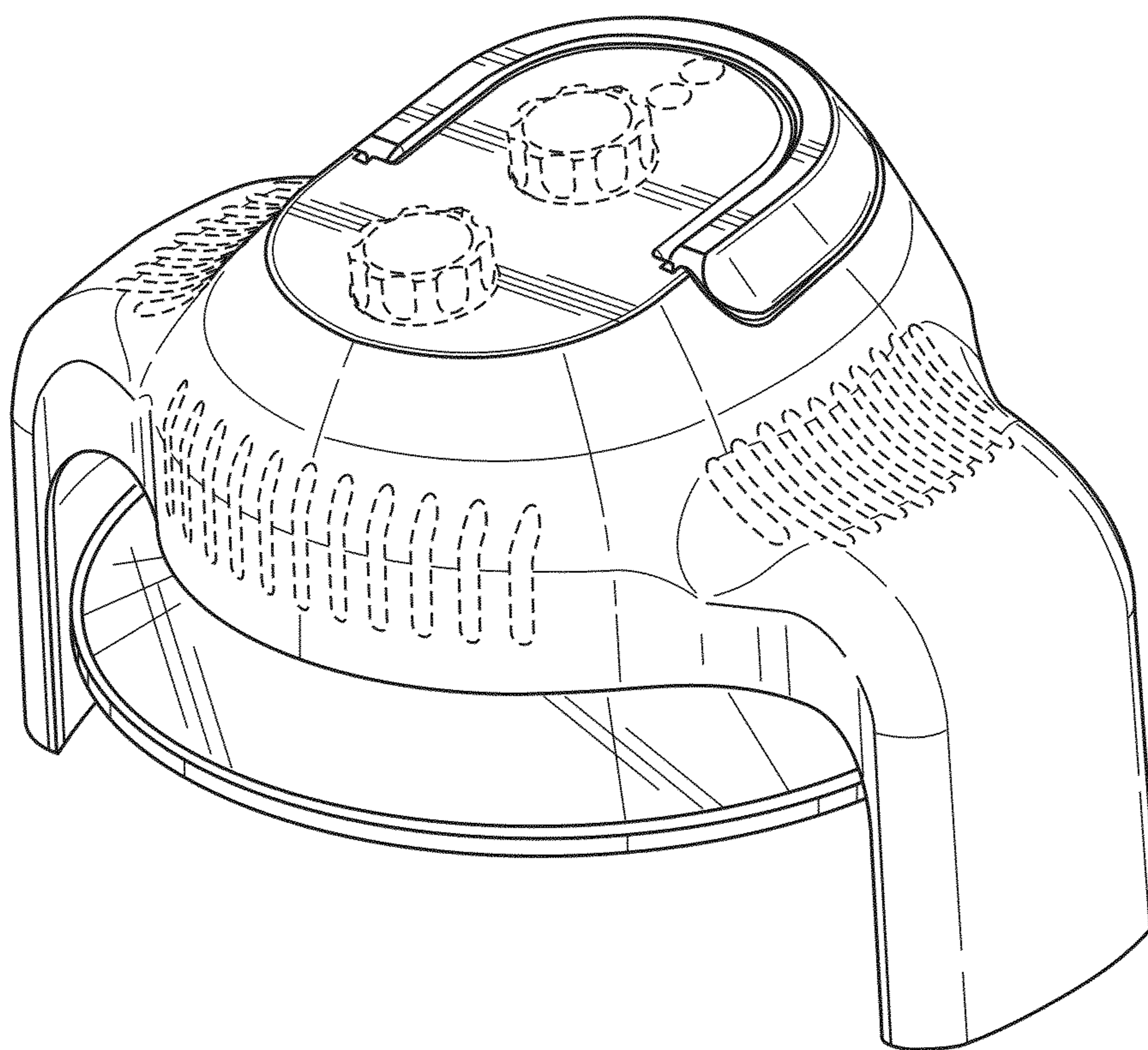


FIG. 13

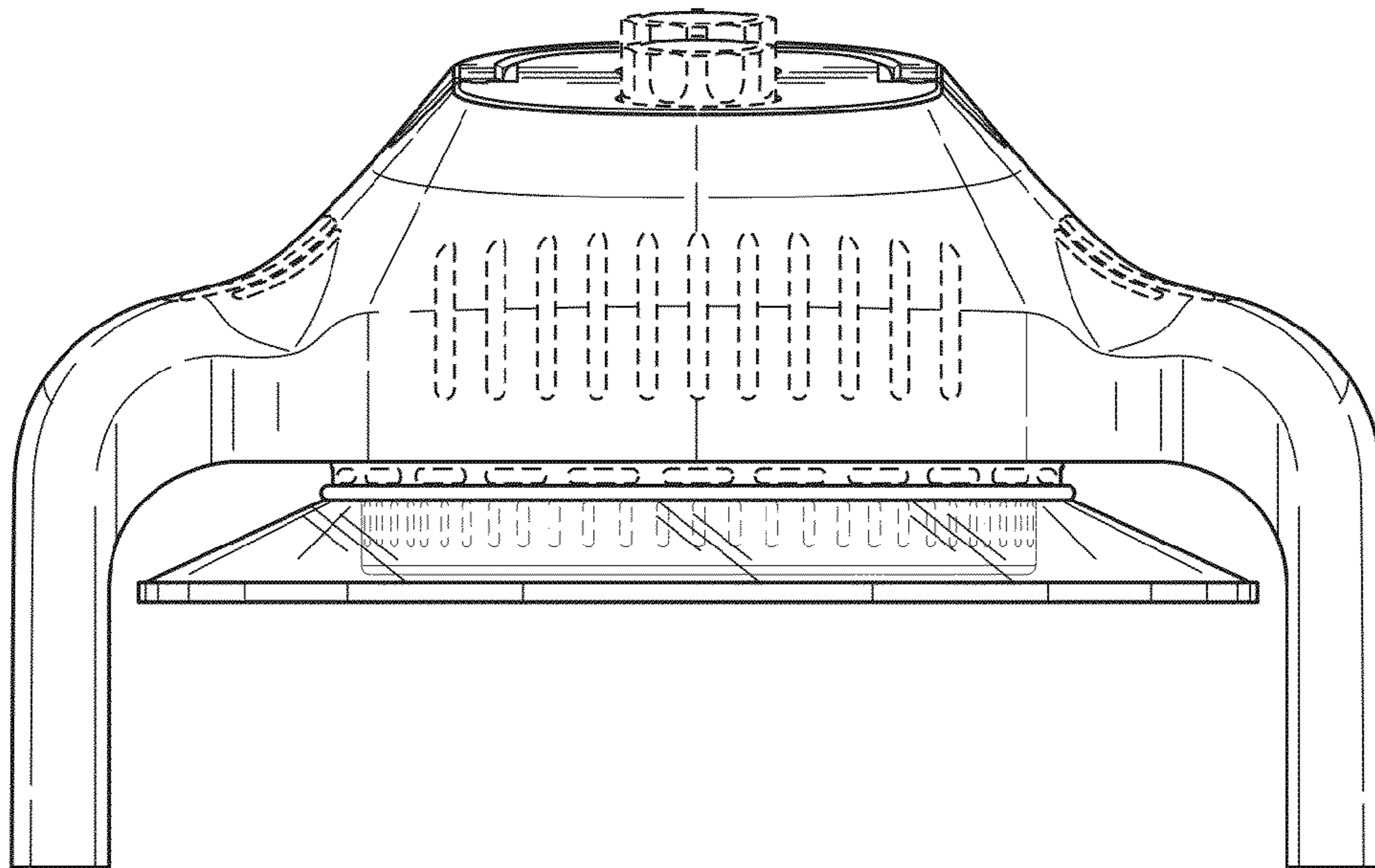


FIG. 14



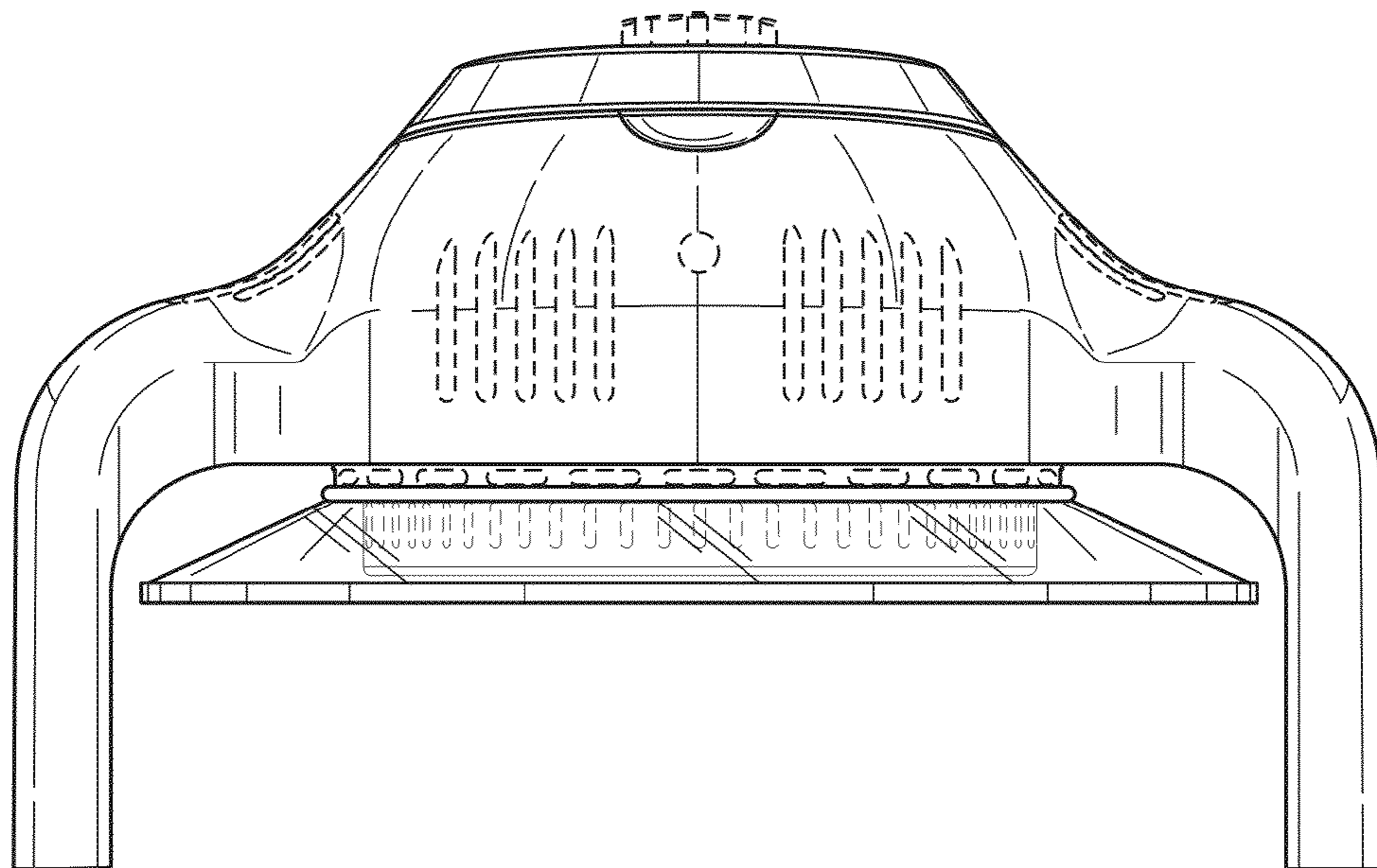


FIG. 15

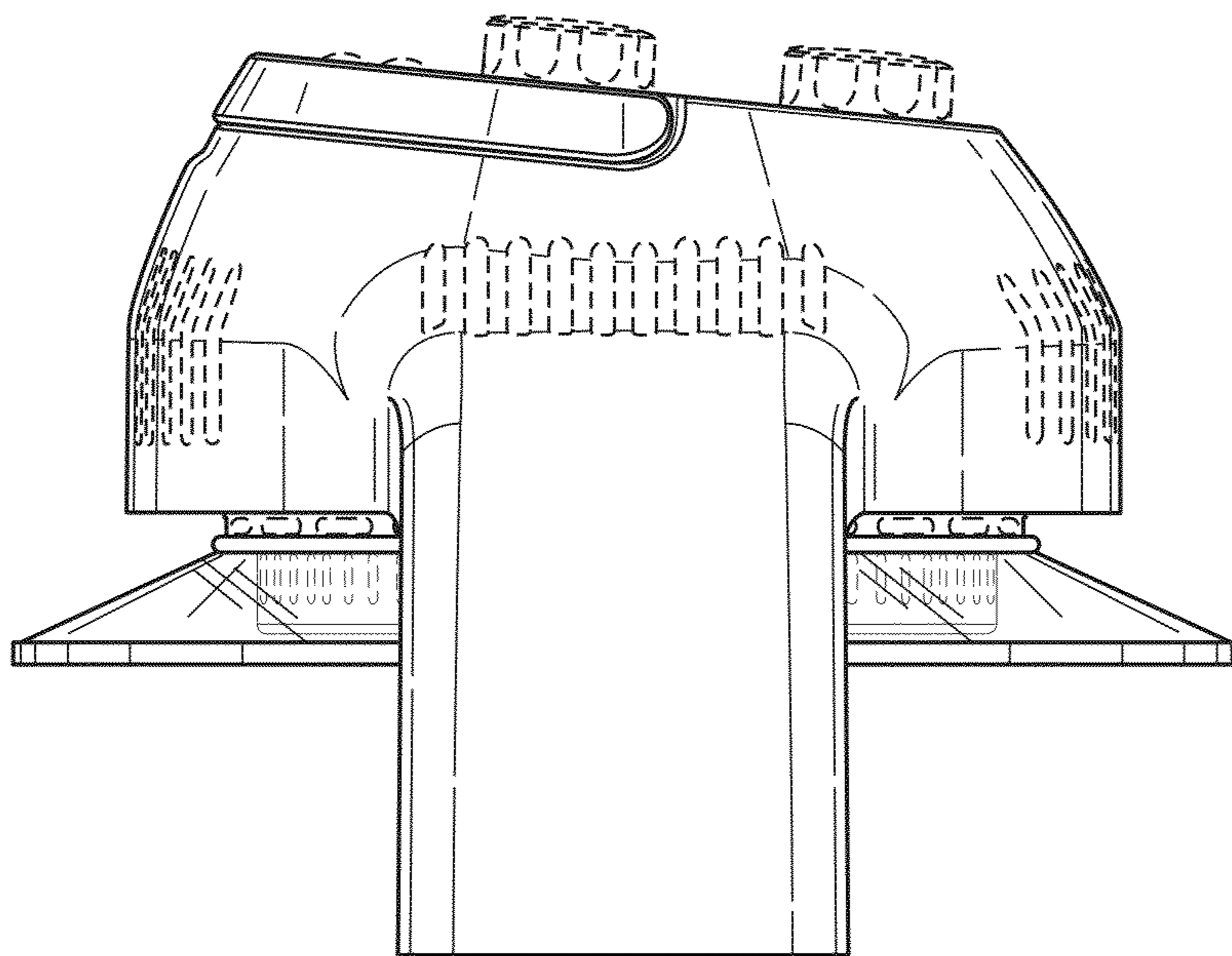


FIG. 16

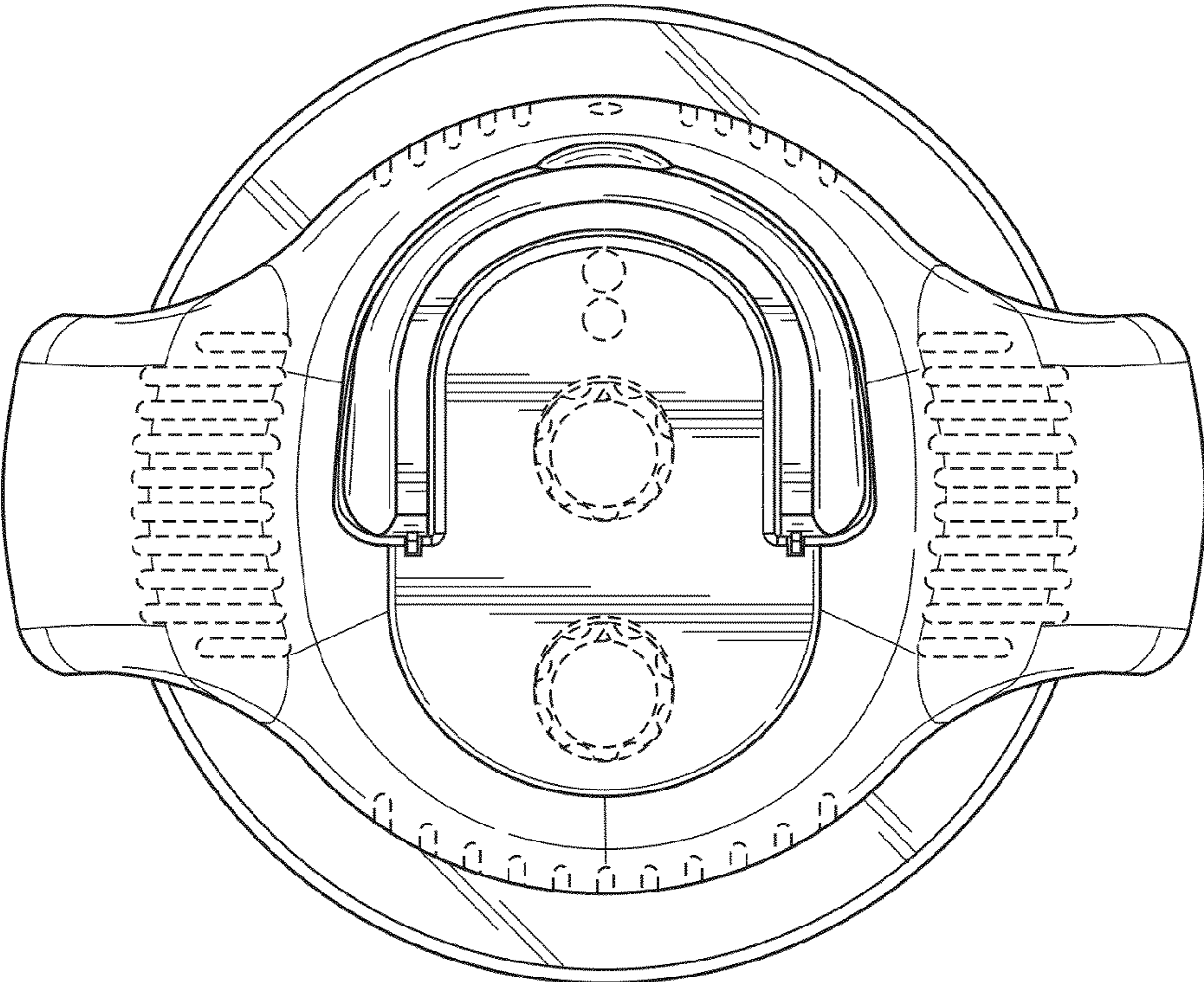


FIG. 17

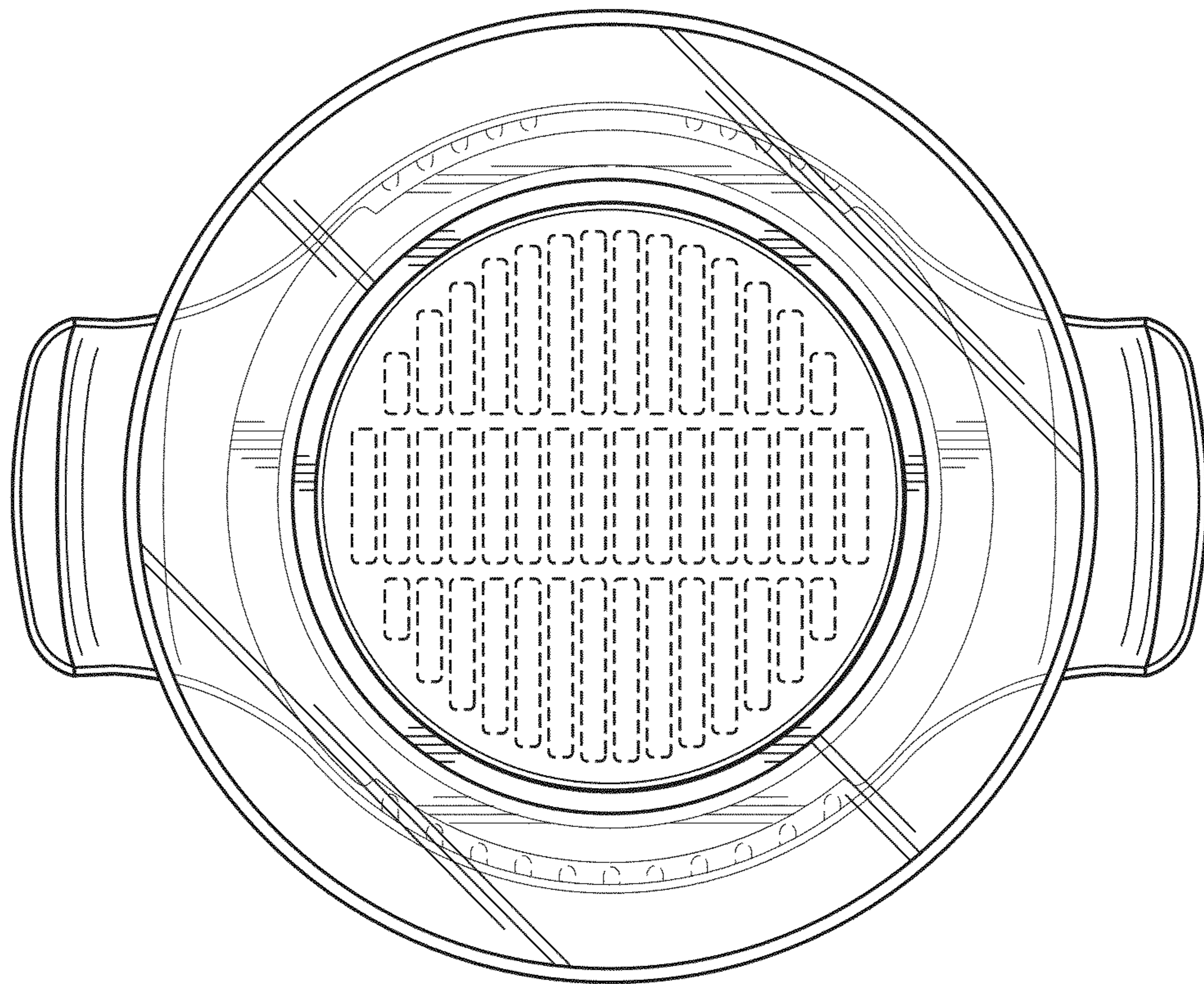


FIG. 18

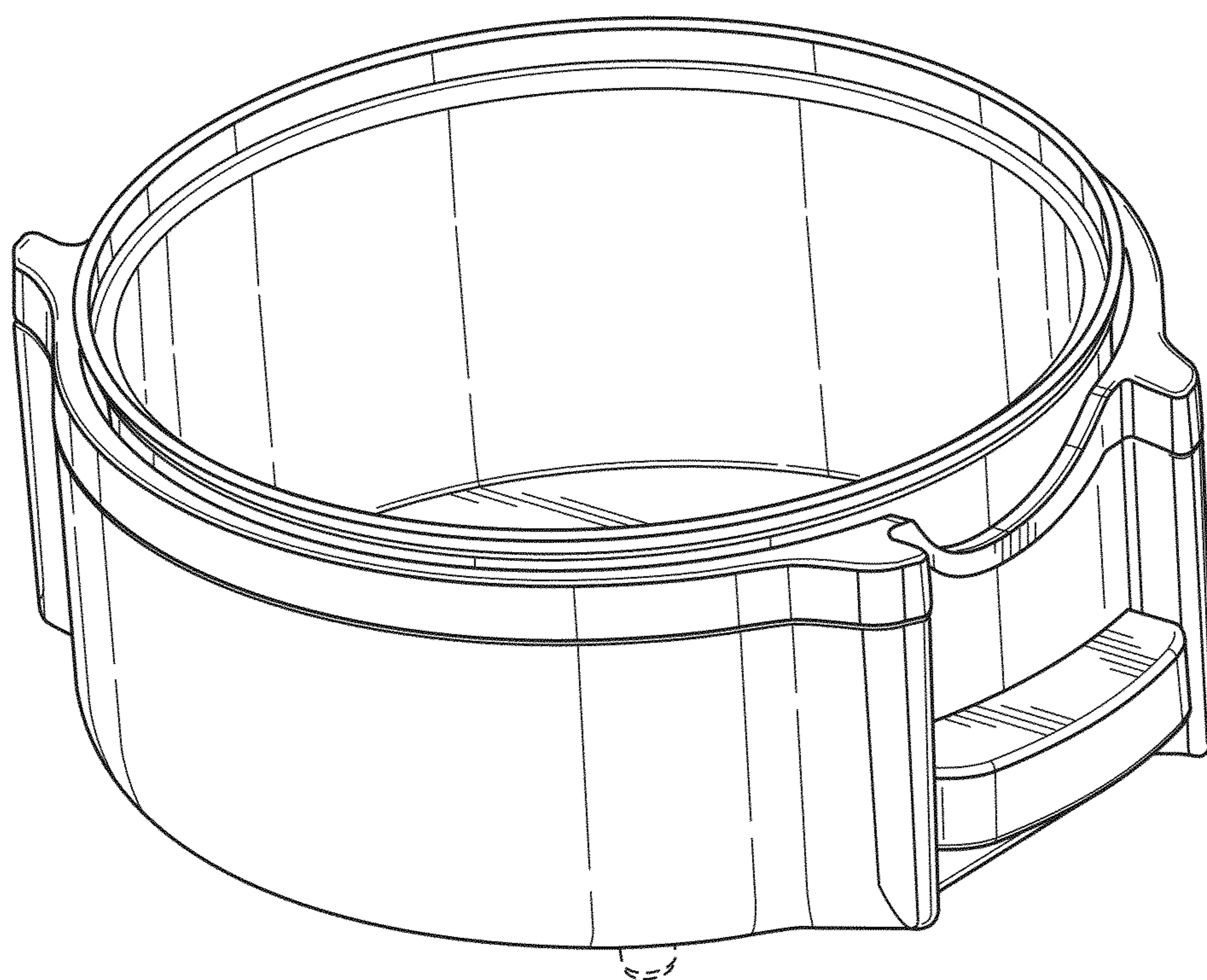


FIG. 19

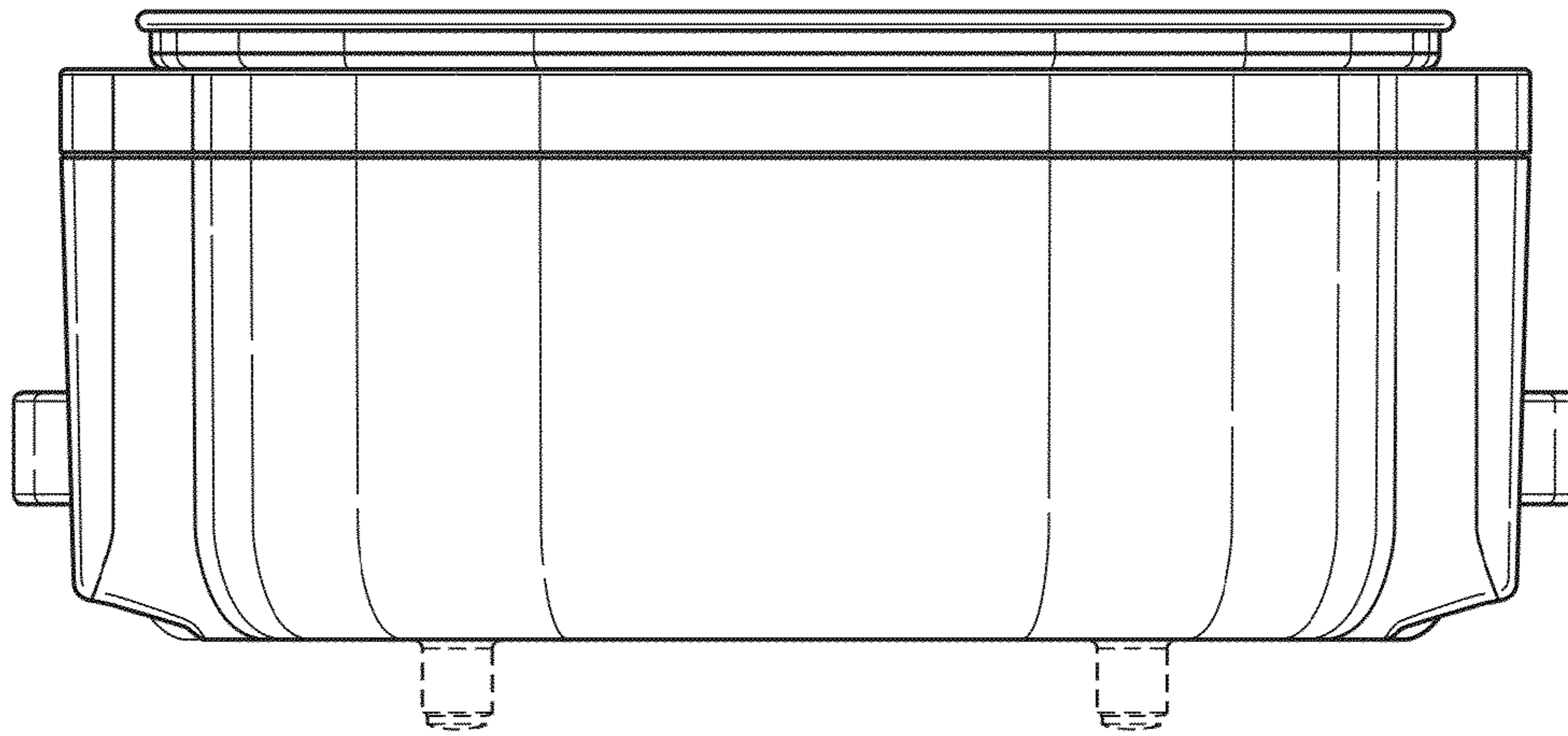


FIG. 20

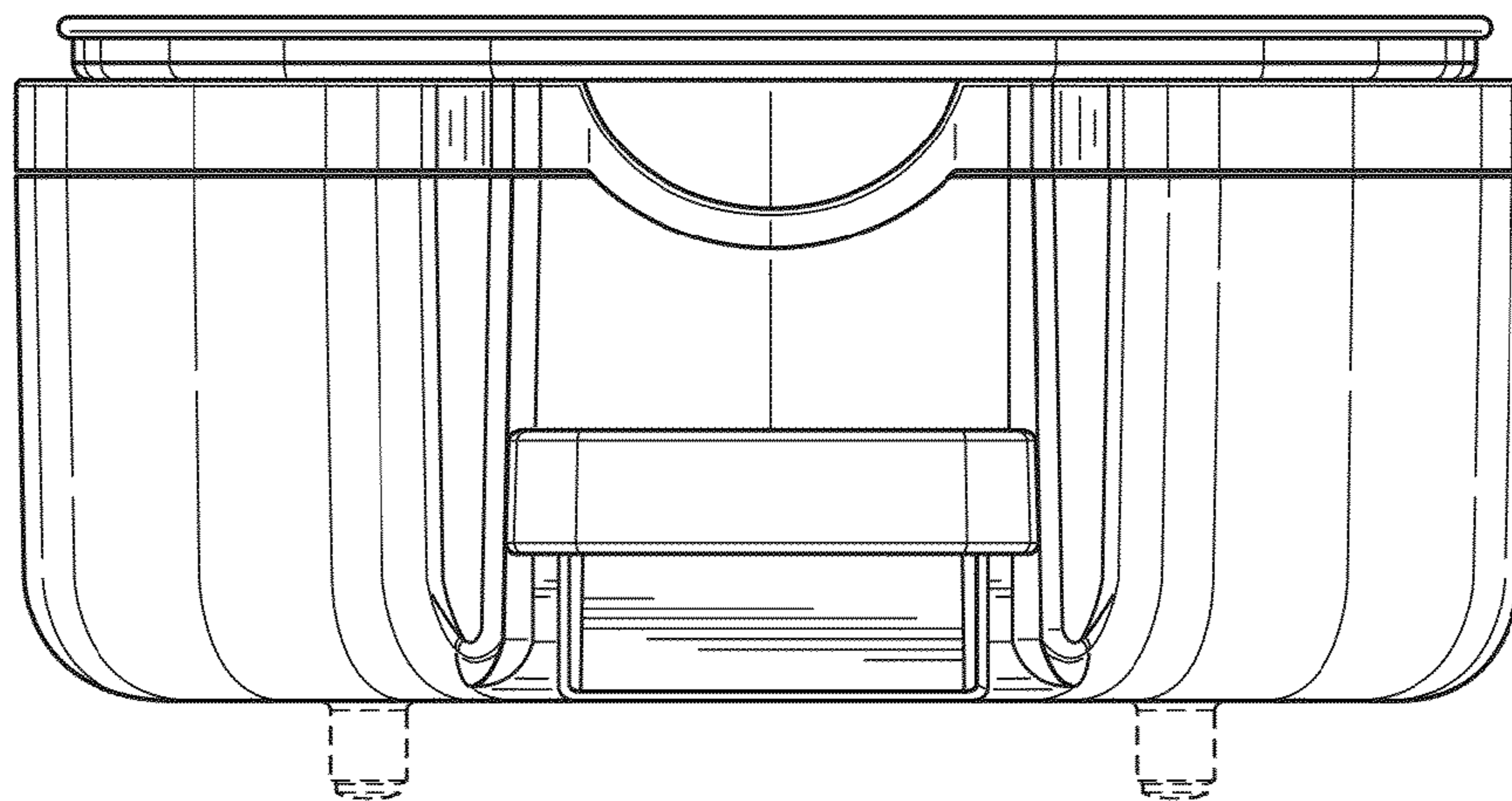


FIG. 21

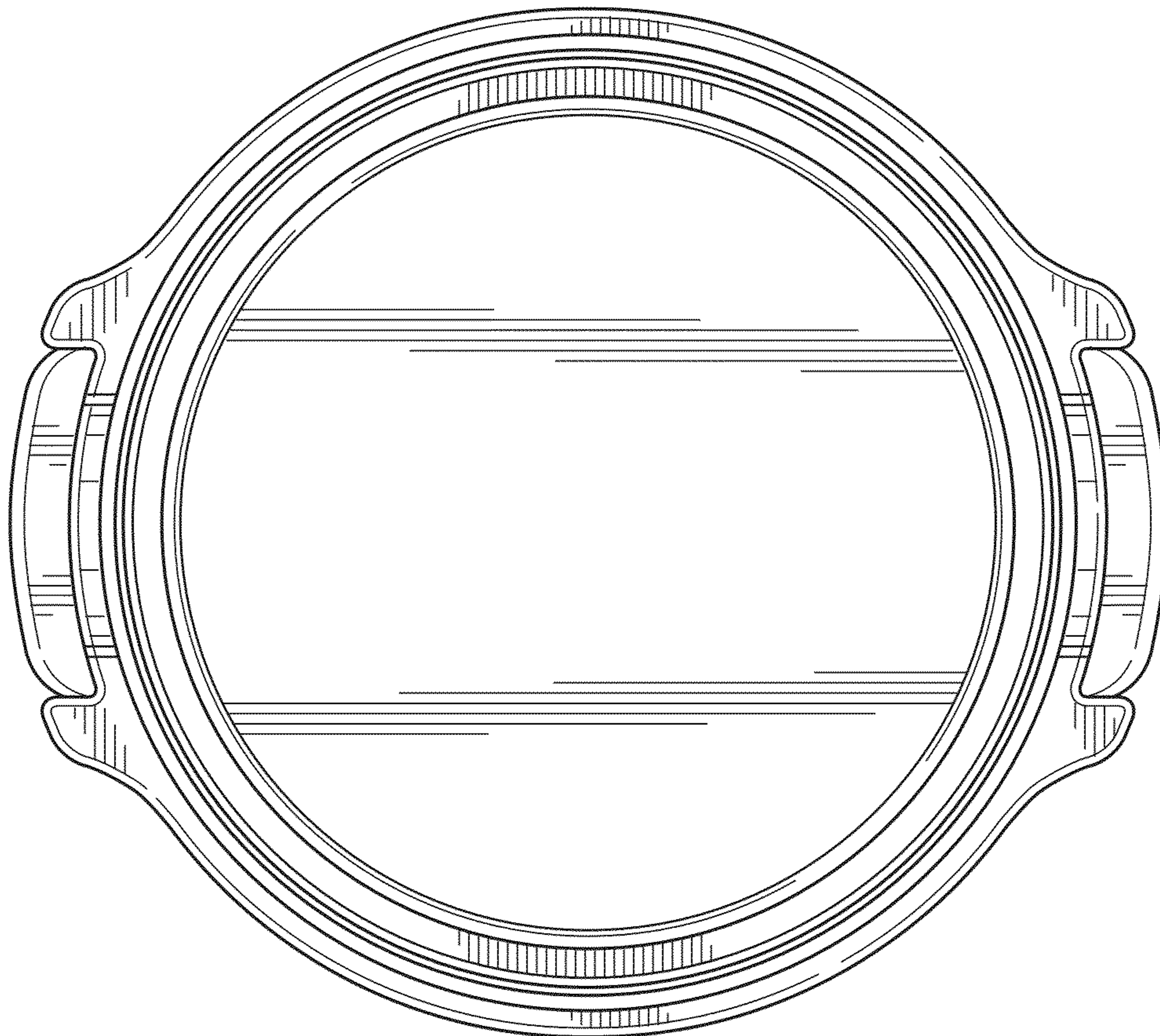


FIG. 22

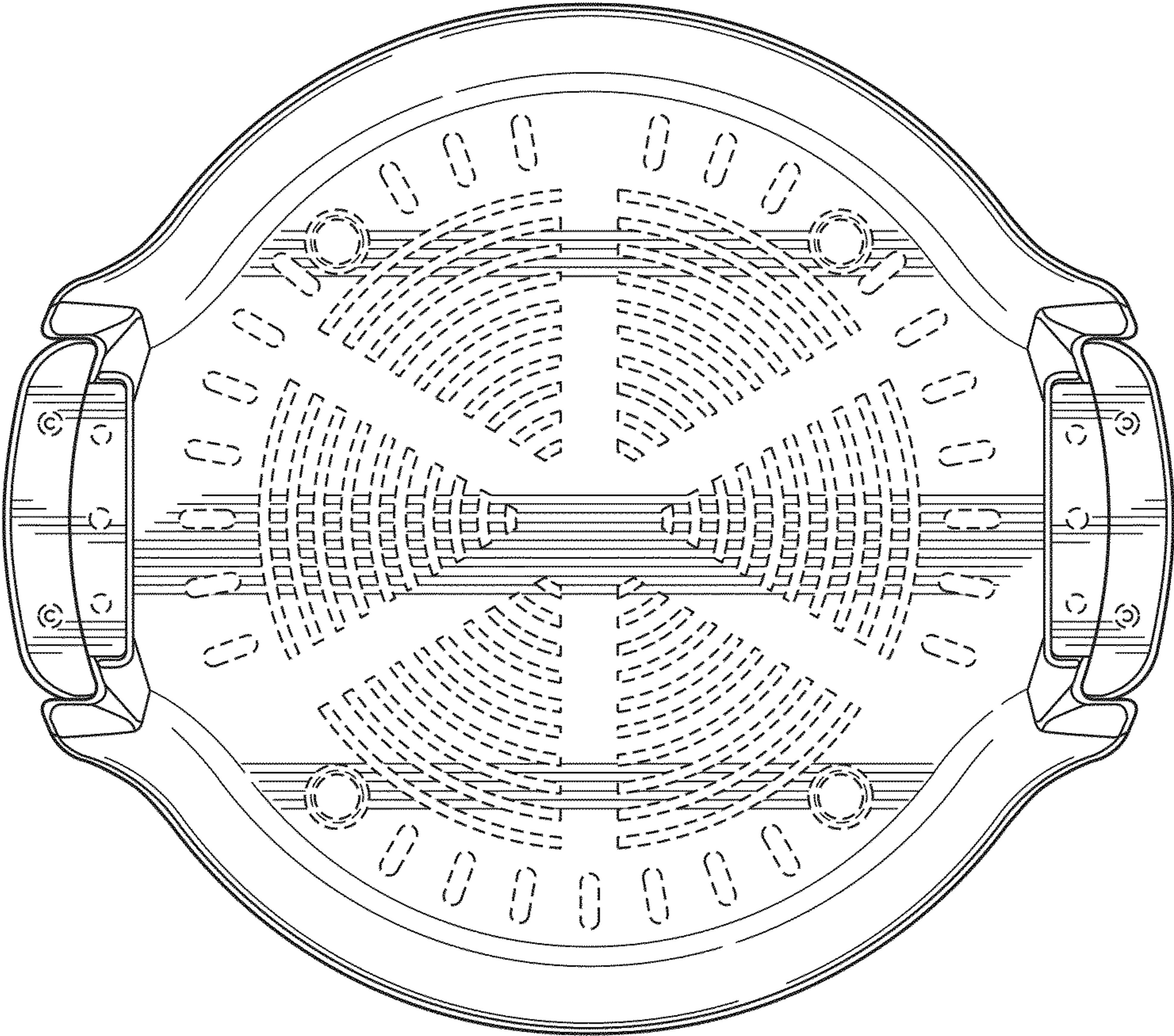


FIG. 23