



US00D743200S

(12) **United States Design Patent**  
**Pai**

(10) **Patent No.:** **US D743,200 S**

(45) **Date of Patent:** **\*\* Nov. 17, 2015**

(54) **BARBECUE GRILL**

(71) Applicant: **Lucas Pai**, Taichung (TW)

(72) Inventor: **Lucas Pai**, Taichung (TW)

(\*\*) Term: **14 Years**

(21) Appl. No.: **29/503,532**

(22) Filed: **Sep. 26, 2014**

(51) **LOC (10) Cl.** ..... **07-02**

(52) **U.S. Cl.**  
USPC ..... **D7/337**

(58) **Field of Classification Search**  
USPC ..... D7/332, 334–337, 402–405, 417  
CPC ..... A47J 37/0704; A47J 37/0763; A47J  
37/0745; A47J 37/0713; A47J 37/0768;  
A47J 37/079; A47J 36/26; F24B 1/205;  
F24B 15/04; F24C 3/14; F47J 33/00; B65D  
7/26

See application file for complete search history.

(56) **References Cited**

**U.S. PATENT DOCUMENTS**

D457,030 S *	5/2002	DeMars	.....	D7/332
D457,776 S *	5/2002	DeMars	.....	D7/332
D458,506 S *	6/2002	DeMars	.....	D7/332
D503,582 S *	4/2005	Johnson	.....	D7/332
D607,262 S *	1/2010	Chung	.....	D7/334
D618,035 S *	6/2010	Chung	.....	D7/334
D631,686 S *	2/2011	Tiller	.....	D7/337
D687,667 S *	8/2013	Chien	.....	D7/334
D688,082 S *	8/2013	Crick	.....	D7/334
D688,083 S *	8/2013	Crick	.....	D7/337
D699,999 S *	2/2014	Miller	.....	D7/337
D703,992 S *	5/2014	Yang	.....	D7/337

D713,683 S *	9/2014	Pai	.....	D7/402
D717,097 S *	11/2014	Lin	.....	D7/334
D726,490 S *	4/2015	Spencer	.....	D7/332
D737,092 S *	8/2015	Lin	.....	D7/334
2004/0112365 A1 *	6/2004	Johnson	.....	A47J 37/0713 126/41 R
2005/0051151 A1 *	3/2005	Johnson	.....	A47J 37/0713 126/41 R
2008/0230045 A1 *	9/2008	Bruno	.....	A47J 37/0704 126/25 R
2010/0180881 A1 *	7/2010	Chen	.....	A47J 37/0713 126/25 R
2013/0074822 A1 *	3/2013	Chien	.....	A47J 37/0763 126/25 R

\* cited by examiner

*Primary Examiner* — Ruth McInroy

(74) *Attorney, Agent, or Firm* — Egbert Law Offices, PLLC

(57) **CLAIM**

The ornamental design for a barbecue grill, as shown and described.

**DESCRIPTION**

FIG. 1 is an upper perspective view of a barbecue grill showing my new design.

FIG. 2 is a front elevation view thereof;

FIG. 3 is rear elevation view thereof;

FIG. 4 is a side elevation view thereof;

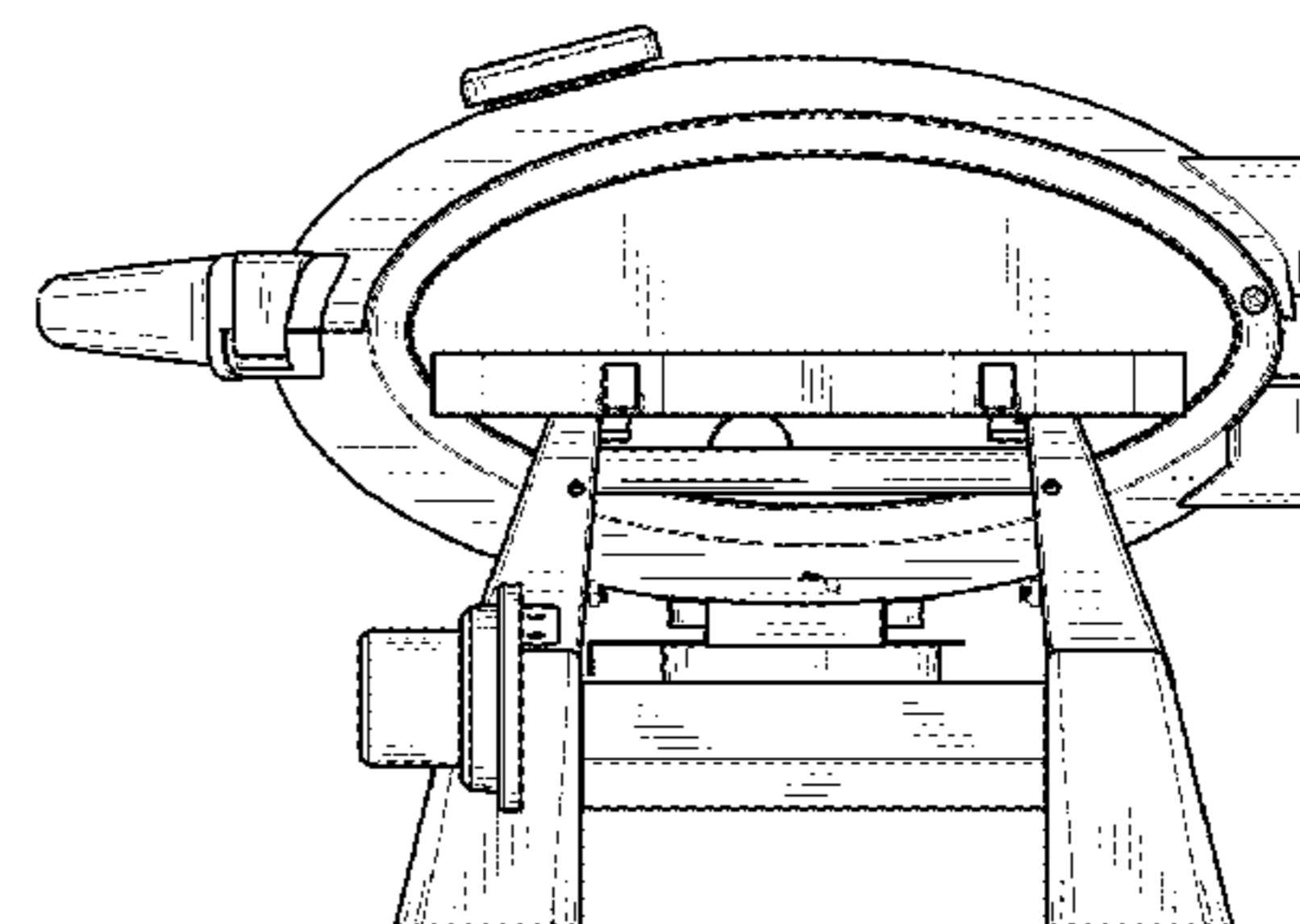
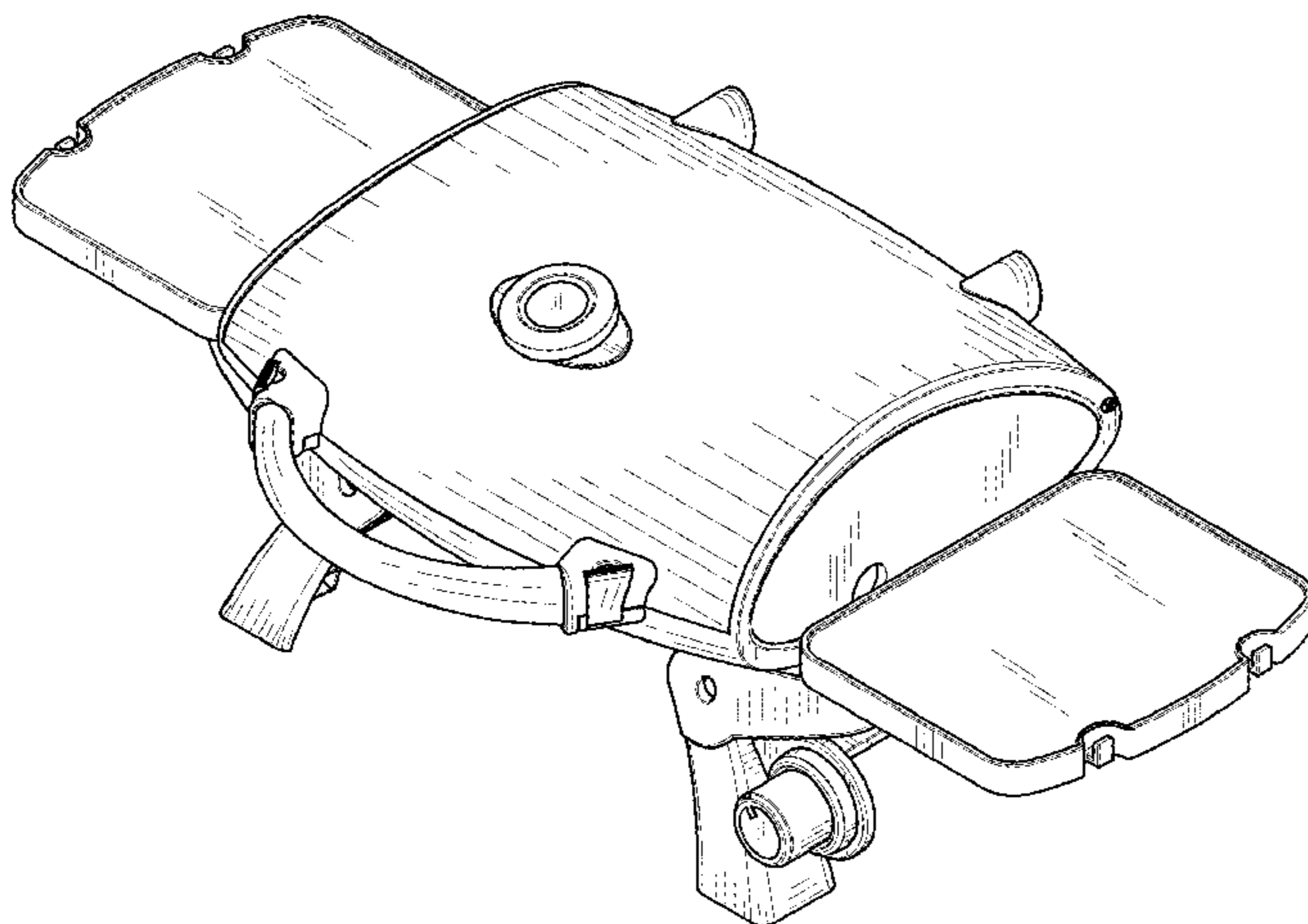
FIG. 5 is an opposite side elevation view thereof;

FIG. 6 is a top plan view thereof; and,

FIG. 7 is a bottom plan view thereof.

The broken lines in the drawings represent unclaimed portions of the barbecue grill and form no part of the claimed design.

**1 Claim, 7 Drawing Sheets**



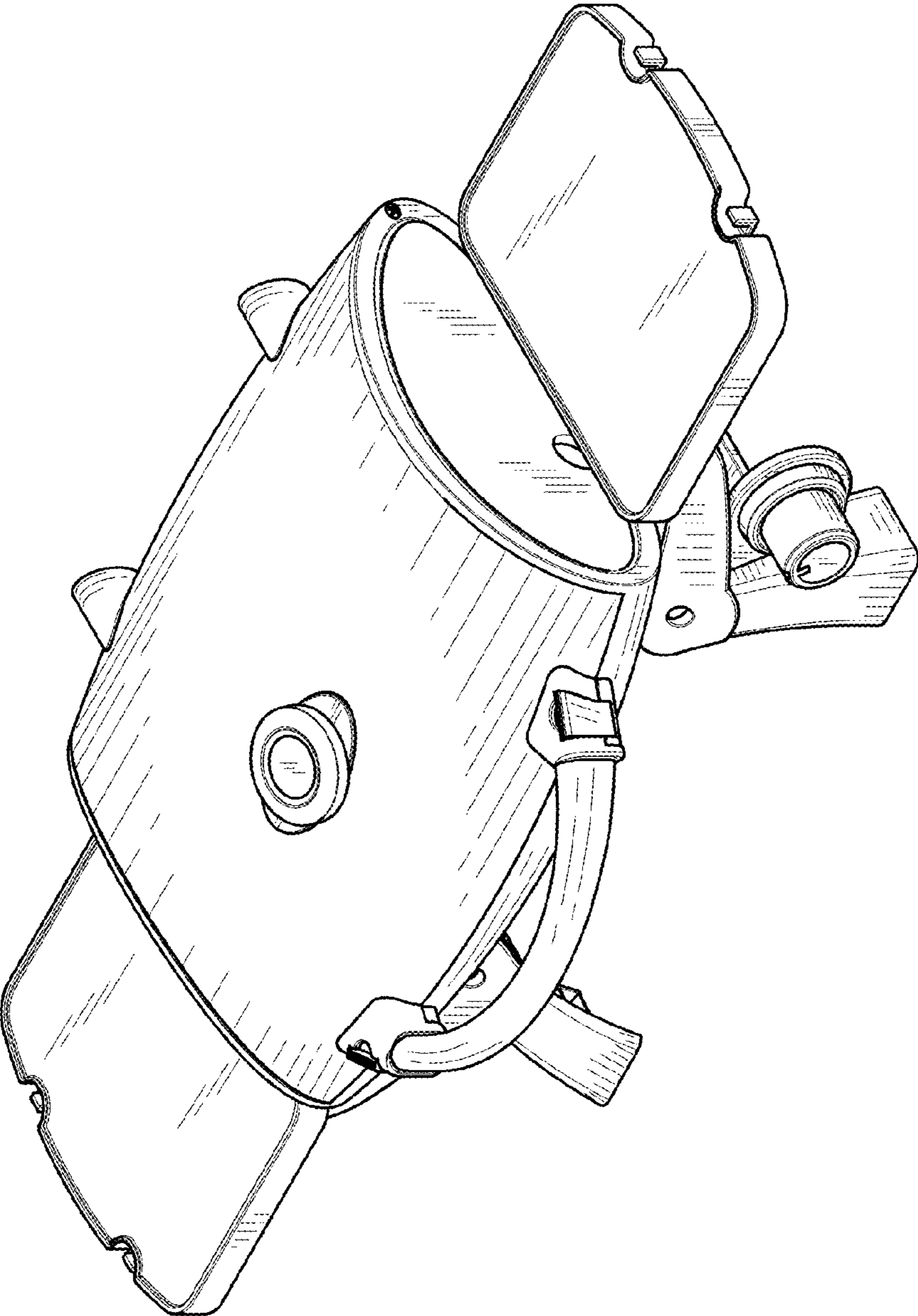


FIG.1

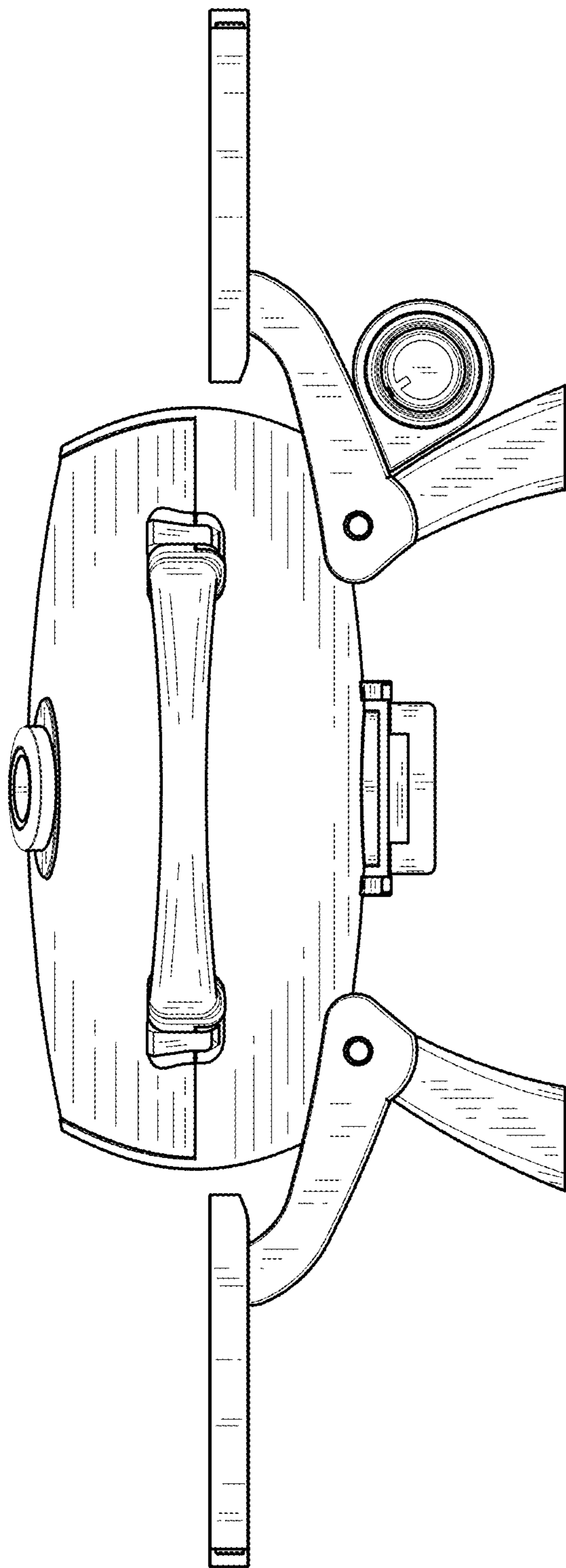


FIG. 2

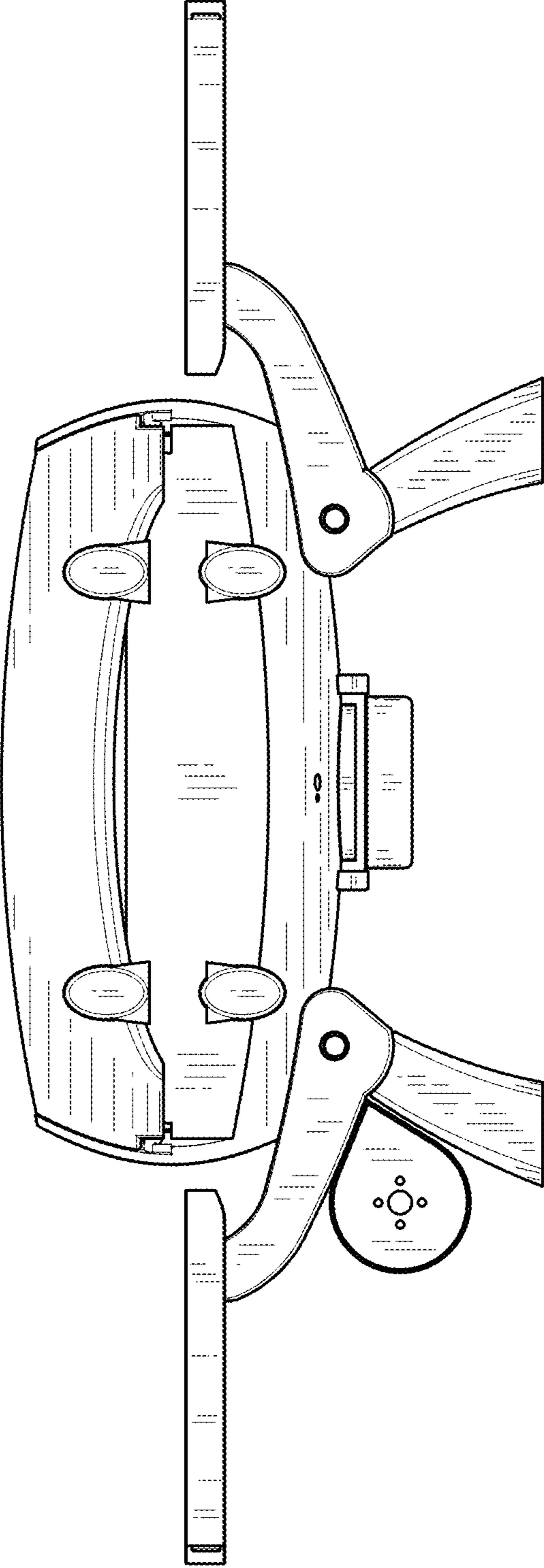


FIG.3

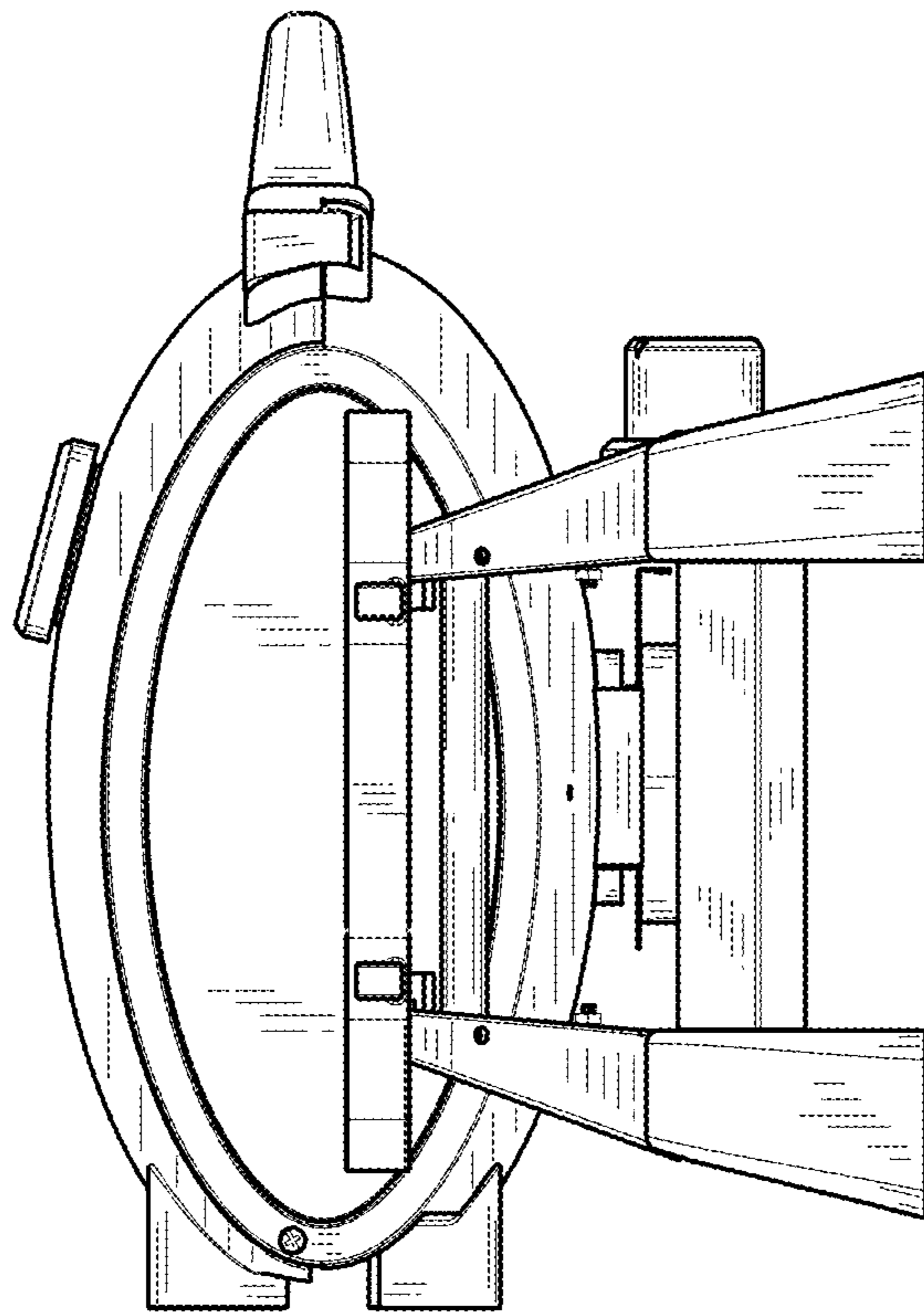


FIG.4

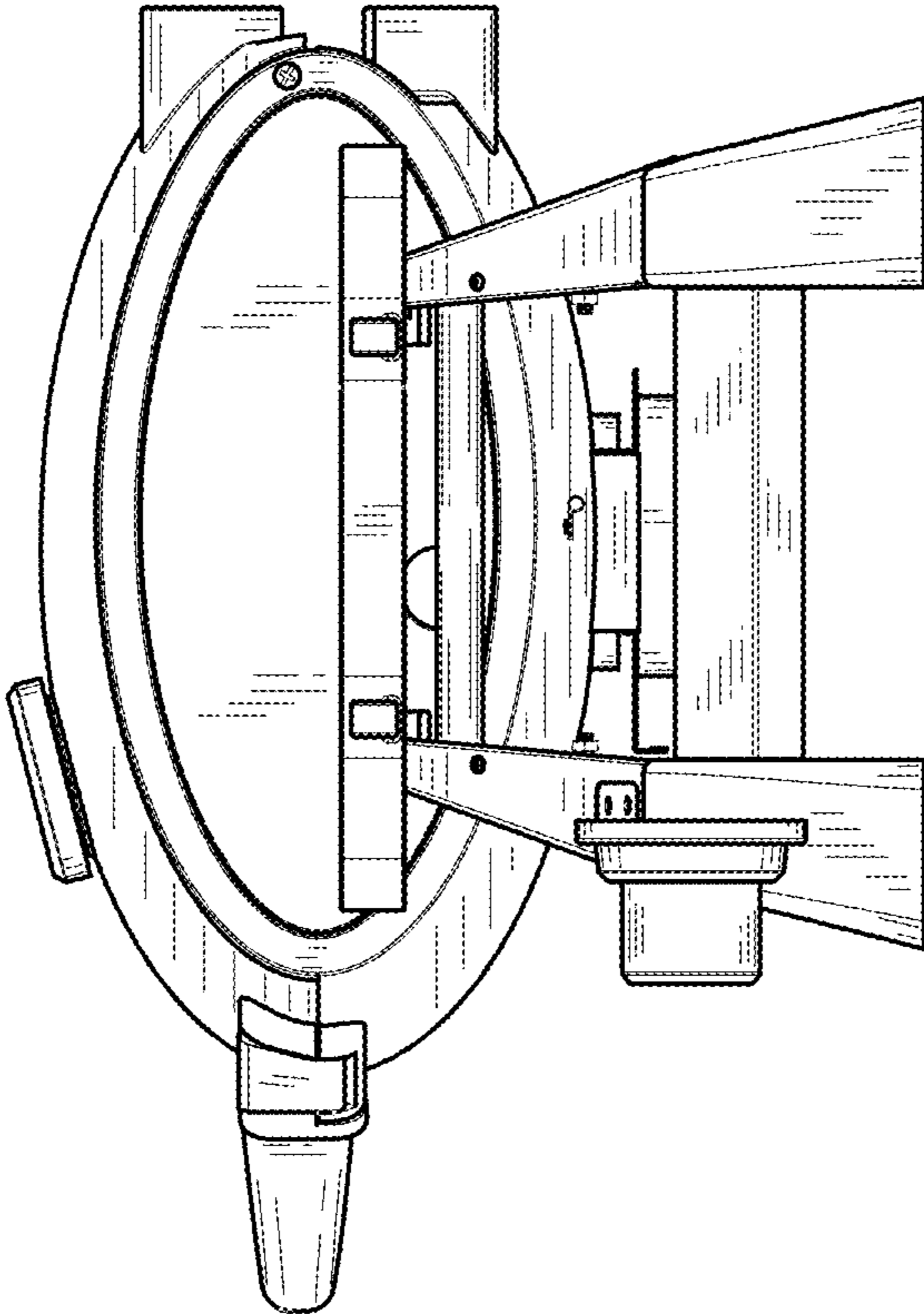


FIG. 5

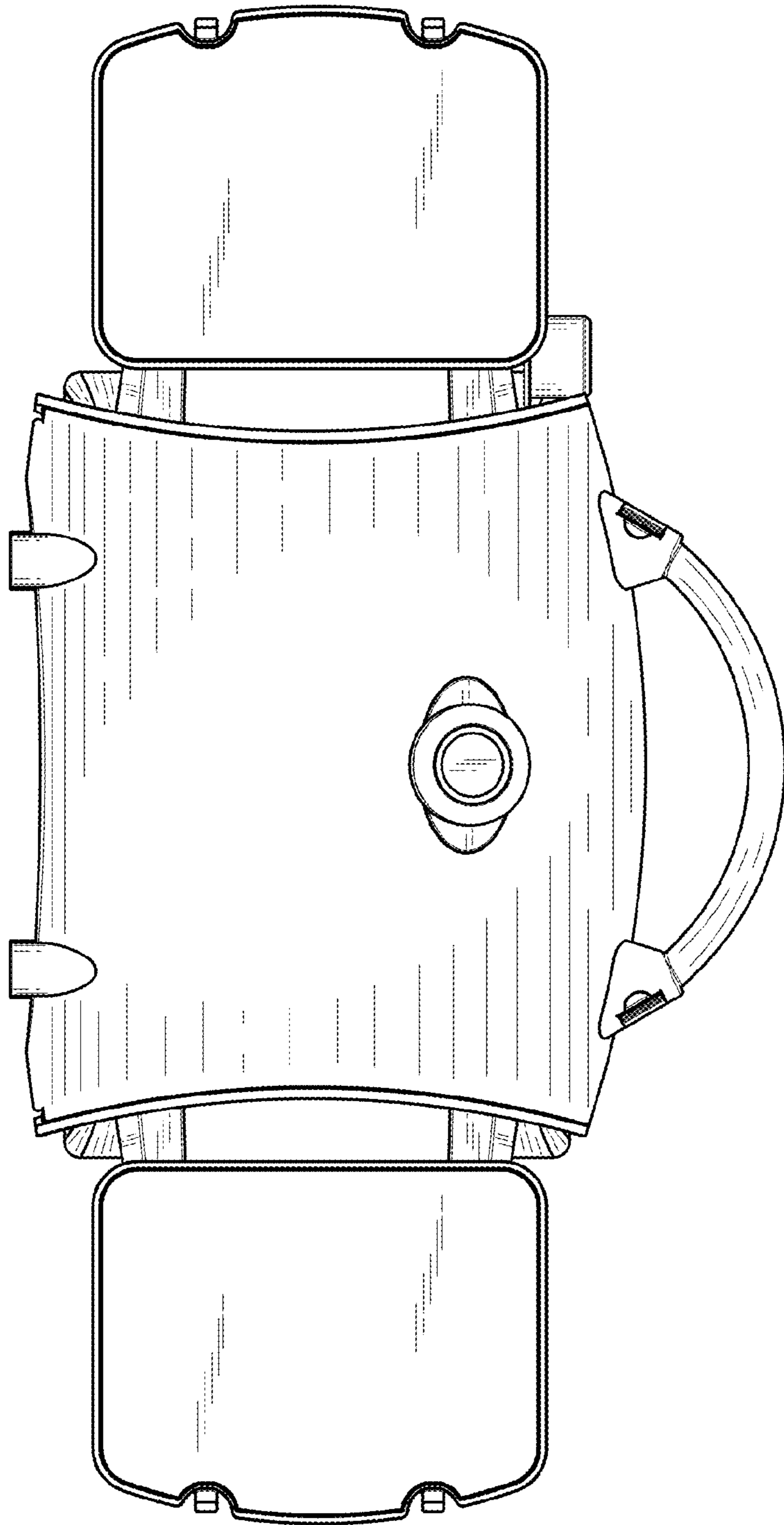


FIG.6

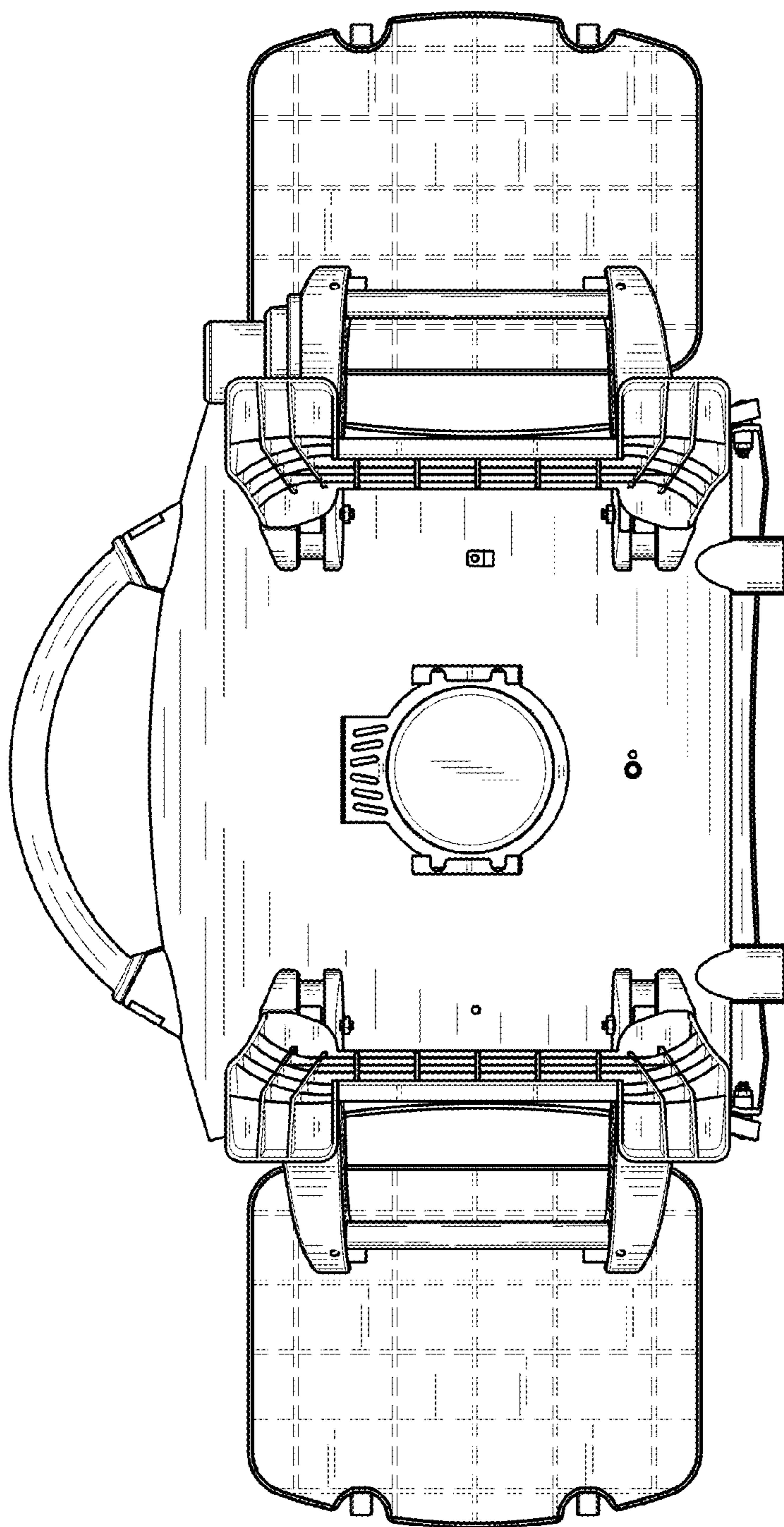


FIG. 7