



US00D743199S

(12) **United States Design Patent**
Bardazzi et al.

(10) **Patent No.:** **US D743,199 S**
(45) **Date of Patent:** **** Nov. 17, 2015**

(54) **ESPRESSO COFFEE MACHINE**
(71) Applicant: **ESPRESSOCAP S.P.A.**, Bareggio (IT)
(72) Inventors: **Bruno Bardazzi**, Bareggio (IT);
Alessandro Doria, Bareggio (IT)
(73) Assignee: **ESPRESSOCAP S.P.A.**, Bareggio (MI)
(IT)

7,827,905 B2 11/2010 Bardazzi
D644,058 S * 8/2011 Cahen D7/309
D649,392 S * 11/2011 Cahen D7/306
D652,669 S * 1/2012 Bardazzi et al. D7/309

(Continued)

FOREIGN PATENT DOCUMENTS

CH 434609 4/1967
CH 527592 9/1972

(Continued)

OTHER PUBLICATIONS

Notice of Allowance mailed on Sep. 21, 2011 for U.S. Appl. No. 29/381,266, filed Dec. 16, 2010 in the name of Bruno Bardazzi et al.

(Continued)

(**) Term: **14 Years**
(21) Appl. No.: **29/498,706**
(22) Filed: **Aug. 6, 2014**

(30) **Foreign Application Priority Data**

Feb. 11, 2014 (EM) 002402412-0004

(51) **LOC (10) Cl.** **07-01**

(52) **U.S. Cl.**
USPC **D7/309**; D7/311

(58) **Field of Classification Search**
USPC D7/300, 313, 306-311, 305; 99/276,
99/280, 292, 299; 435/287.1; D23/207
CPC A47J 31/40; A47J 31/05; A47J 31/46;
C12G 3/02; C12G 3/08

See application file for complete search history.

(56) **References Cited**

U.S. PATENT DOCUMENTS

3,446,624 A 5/1969 David
D560,950 S 2/2008 Schwamkrug
D565,886 S * 4/2008 Bardazzi et al. D7/309
D587,510 S 3/2009 Lam
D596,442 S 7/2009 Cahen
D604,985 S 12/2009 Taylor et al.
7,669,518 B2 3/2010 Bardazzi

Primary Examiner — Marianne Pandozzi

(74) *Attorney, Agent, or Firm* — Steinfl & Bruno LLP

(57) **CLAIM**

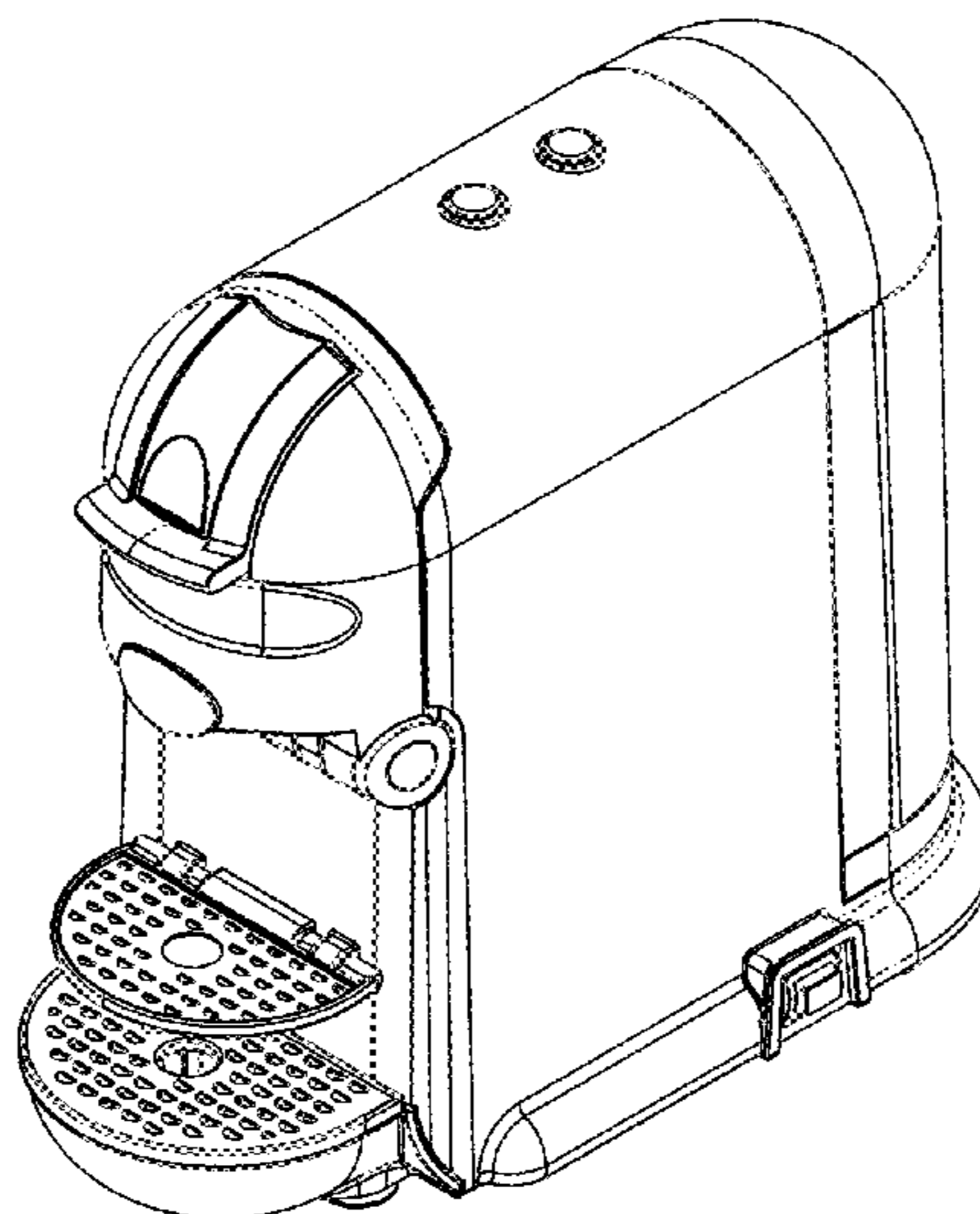
The ornamental design for an espresso coffee machine, as shown and described.

DESCRIPTION

The present application is related to U.S. Design patent application Ser. No. 29/498,707 filed on even date herewith. The present application may also be related to U.S. Design application Ser. No. 29/381,266 filed on Dec. 16, 2010, issued as U.S. Design Pat. No. D652,669 on Jan. 24, 2012.

FIG. 1 is a perspective view of an espresso coffee machine. FIG. 2 is a right side view of the espresso coffee machine. FIG. 3 is a left side view of the espresso coffee machine. FIG. 4 is a front side view of the espresso coffee machine. FIG. 5 is a rear side view of the espresso coffee machine; and, FIG. 6 is a top view of the espresso coffee machine.

1 Claim, 6 Drawing Sheets



(56)

References Cited

OTHER PUBLICATIONS

U.S. PATENT DOCUMENTS

| | | | |
|--------------|--------|-------------------|--------|
| D667,251 S * | 9/2012 | Cahen | D7/309 |
| D678,710 S * | 3/2013 | Xie | D7/309 |
| D703,477 S * | 4/2014 | Celli et al. | D7/306 |
| D723,317 S * | 3/2015 | Manly et al. | D7/306 |
| D726,478 S * | 4/2015 | Cahen | D7/306 |
| D733,480 S * | 7/2015 | Shao | D7/309 |

FOREIGN PATENT DOCUMENTS

| | | |
|----|-------------|--------|
| DE | 3504441 | 8/1986 |
| EP | 0524464 | 1/1993 |
| EP | 0631948 | 1/1995 |
| EP | 1635680 | 3/2006 |
| EP | 1937117 | 7/2008 |
| WO | 00/51478 | 9/2000 |
| WO | 2010/091872 | 8/2010 |

Restriction Requirement mailed on Feb. 26, 2013 for U.S. Appl. No. 13/119,940, filed Mar. 18, 2011 in the name of Bruno Bardazzi et al. International Preliminary Report on Patentability issued on Aug. 16, 2011 for International Application No. PCT/EP2010/000870 filed on Feb. 12, 2010 in the name of ESPRESSOCAP S.P.A. Written Opinion issued on Sep. 2, 2010 for International Application No. PCT/EP2010/000870 filed on Feb. 12, 2010 in the name of ESPRESSOCAP S.P.A. International Search Report mailed on Sep. 2, 2010 for International Application No. PCT/EP2010/000870 filed on Feb. 12, 2010 in the name of ESPRESSOCAP S.P.A.

* cited by examiner

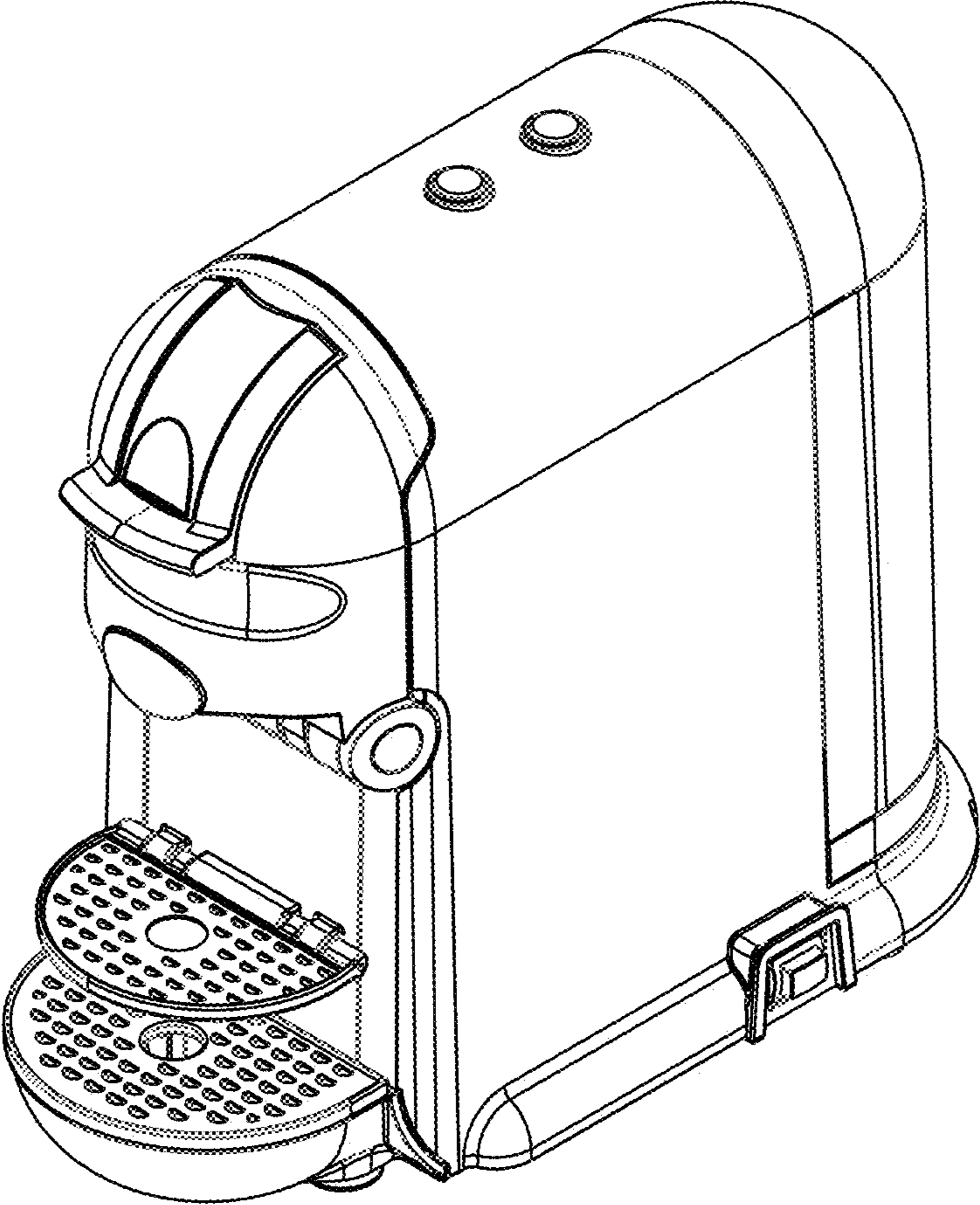


FIG. 1

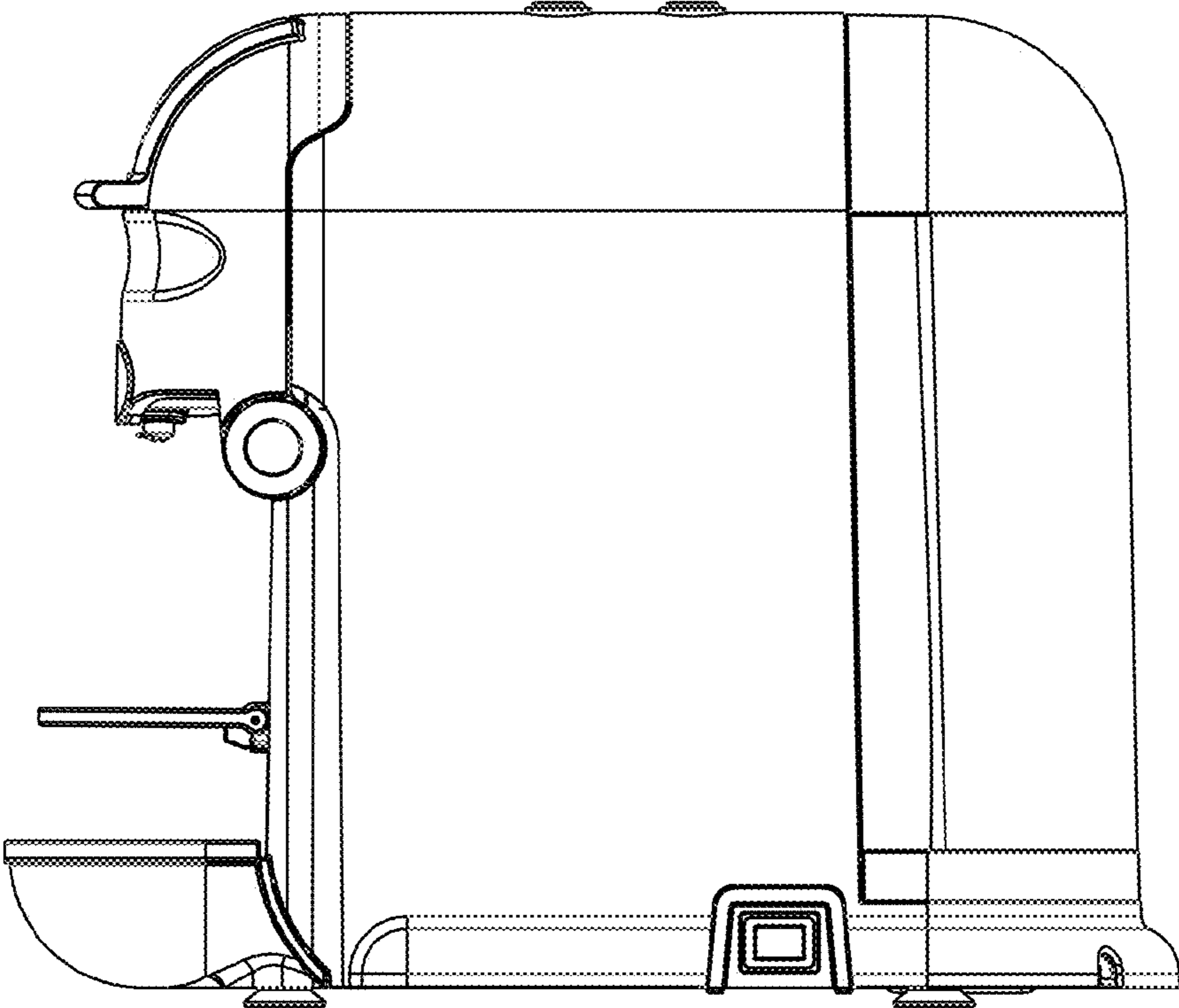


FIG. 2

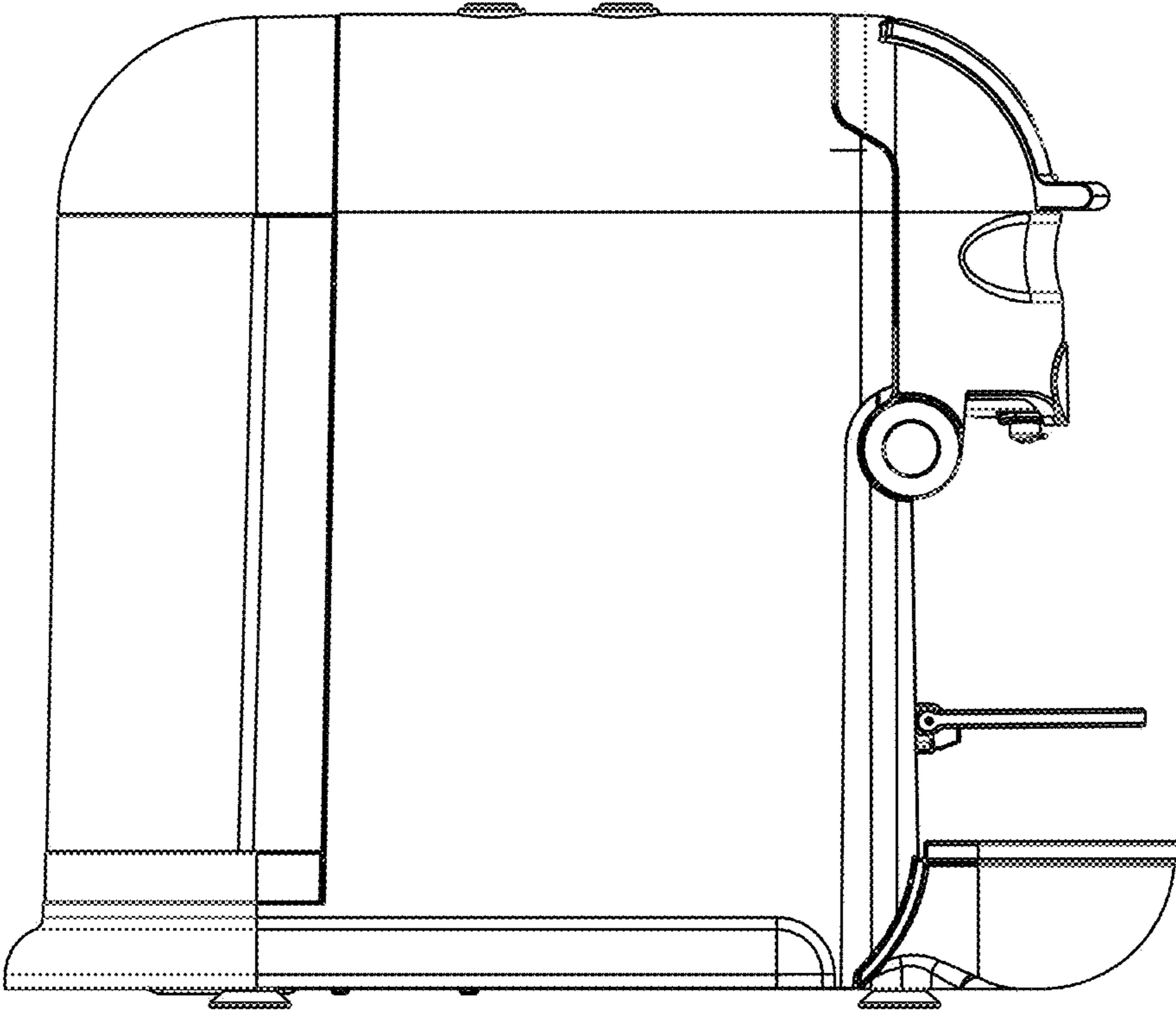


FIG. 3

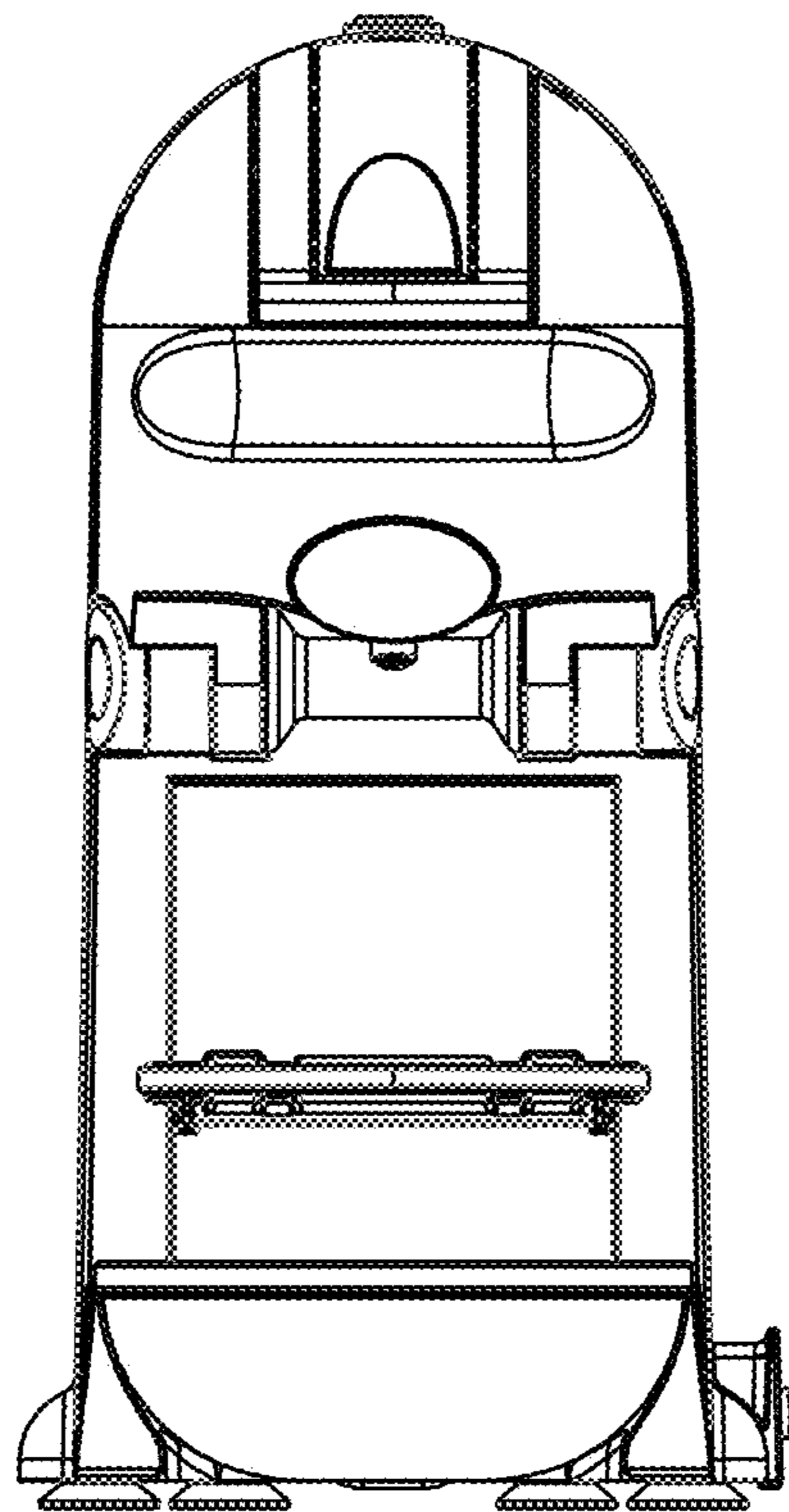


FIG. 4

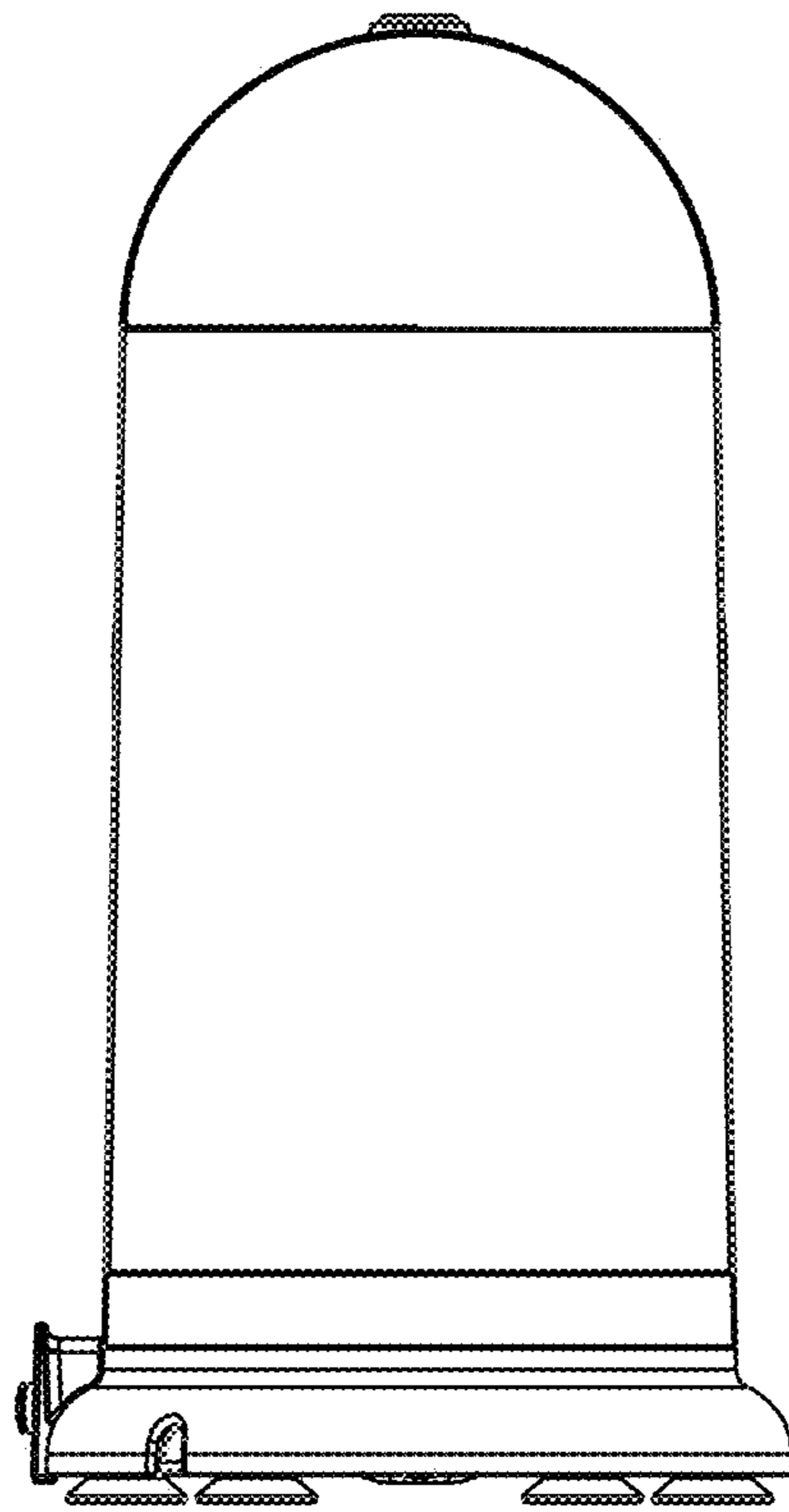


FIG. 5

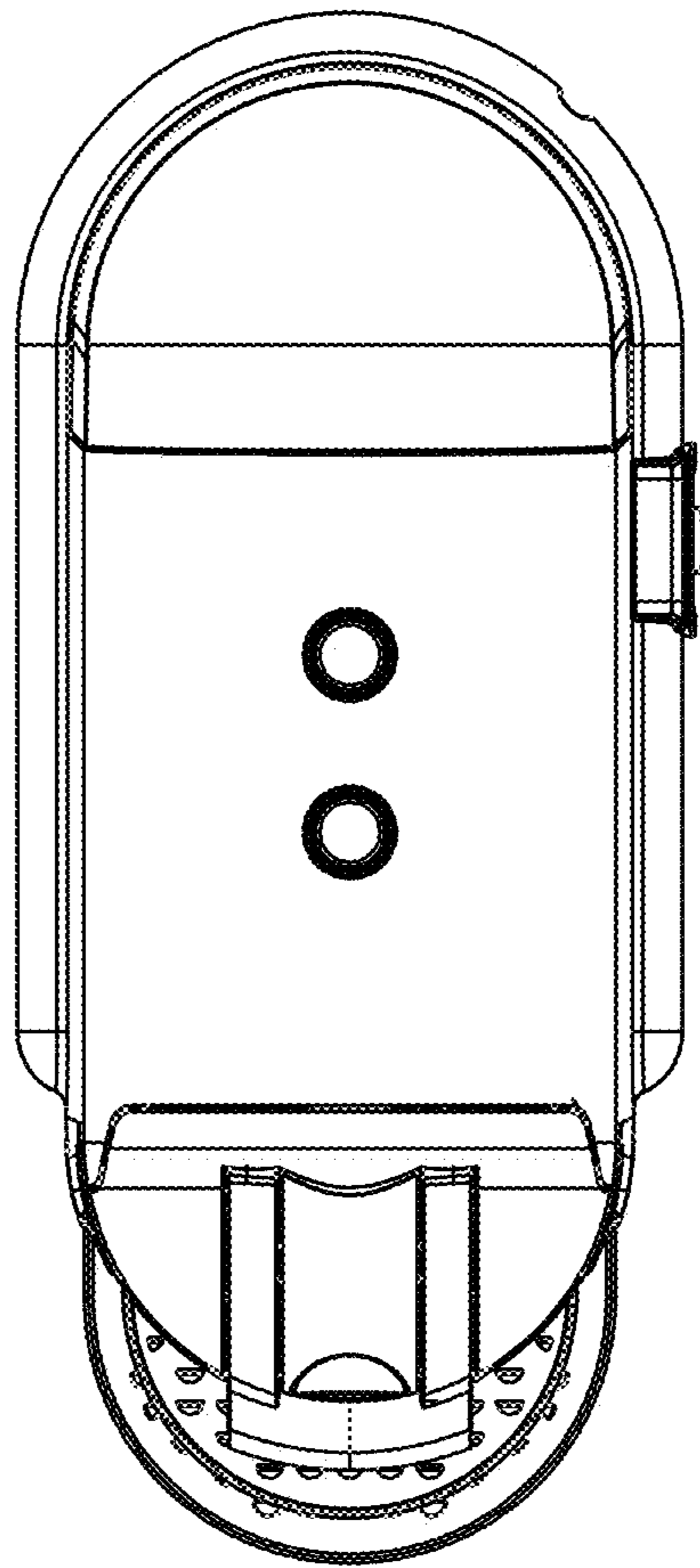


FIG. 6