



US00D743196S

(12) **United States Design Patent**
Zamora

(10) **Patent No.:** **US D743,196 S**
(45) **Date of Patent:** **** Nov. 17, 2015**

(54) **MIRROR TABLE**
(71) Applicant: **Edgar Zamora**, Los Angeles, CA (US)
(72) Inventor: **Edgar Zamora**, Los Angeles, CA (US)
(**) Term: **14 Years**
(21) Appl. No.: **29/478,678**
(22) Filed: **Jan. 7, 2014**
(51) **LOC (10) Cl.** **06-06**
(52) **U.S. Cl.**
USPC **D6/707.19**
(58) **Field of Classification Search**
USPC D6/691, 691.4, 691.5, 691.8, 707.19,
D6/656, 656.16, 659, 314, 675, 663;
D1/100; D25/138; D3/272, 273;
D9/414; D26/58
CPC A47B 7/00; A47B 2021/11; A47B 13/00;
A47B 13/02; A47B 13/04; A47B 91/00;
A47B 2200/002; A47B 2200/0031; A47B
13/08; A47B 13/086; A47B 13/12; A47B
27/00
See application file for complete search history.

(56) **References Cited**
U.S. PATENT DOCUMENTS
1,326,746 A * 12/1919 Matsuda 108/90
1,595,398 A * 8/1926 Hoffman 52/222

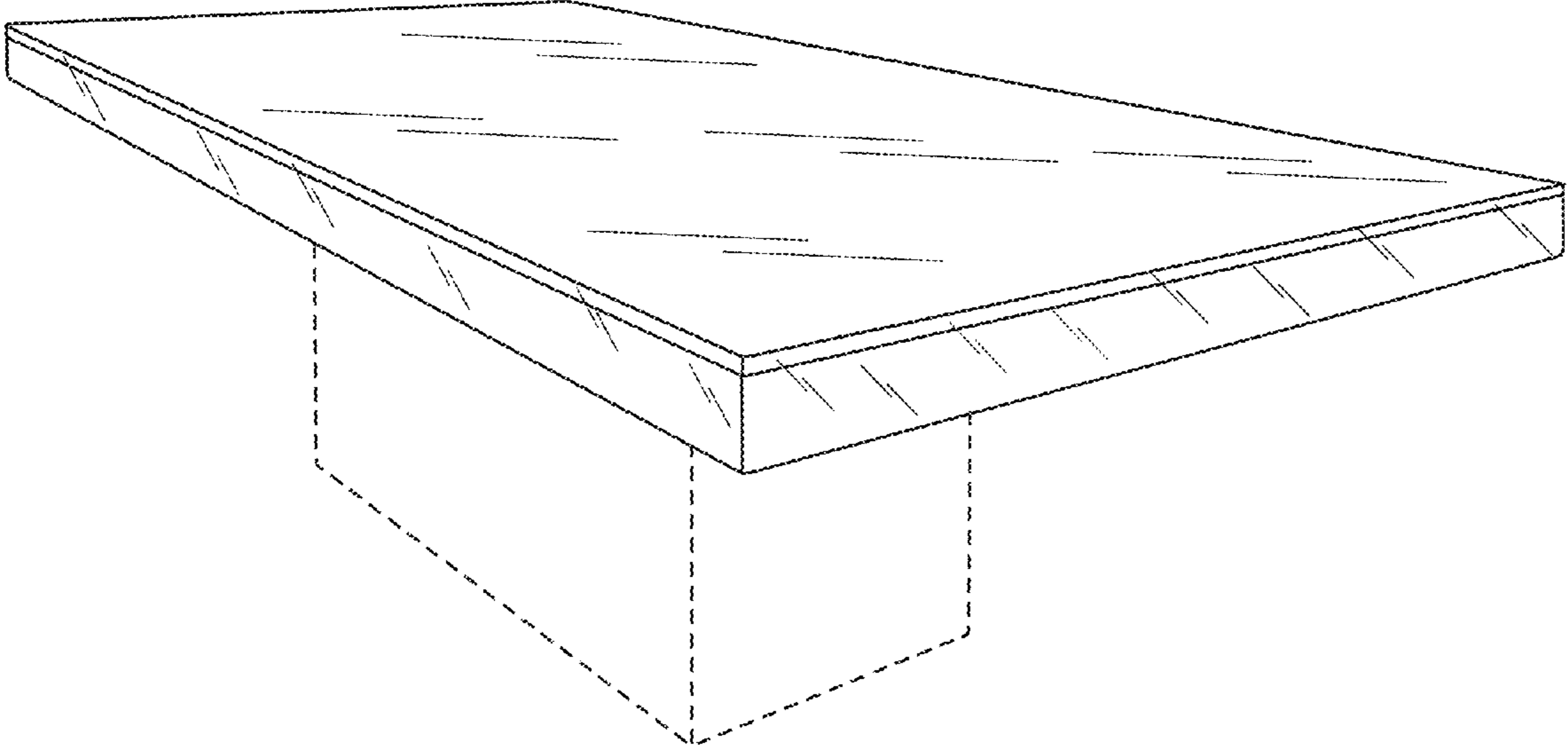
1,621,688 A * 3/1927 Schimmel 108/25
D100,165 S * 6/1936 Kalpakoff D6/480
4,099,469 A * 7/1978 Sahli 108/1
D280,366 S * 9/1985 Matsuda D6/686
D341,505 S * 11/1993 Nourse D6/691
D375,298 S * 11/1996 Calfee D14/451
D493,545 S * 7/2004 Lancia et al. D25/138
D505,810 S * 6/2005 Henriott et al. D6/702
D648,584 S * 11/2011 Ellis D6/707.19
D725,411 S * 3/2015 Jannetides et al. D6/663

* cited by examiner
Primary Examiner — Janice Seeger
(74) *Attorney, Agent, or Firm* — Cohen IP Law Group, P.C.;
Michael N. Cohen

(57) **CLAIM**
I claim the ornamental design for the mirror table, as shown
and described.

DESCRIPTION
FIG. 1 is a front perspective view of the mirror table;
FIG. 2 is a front view of FIG. 1;
FIG. 3 is a back view of FIG. 1;
FIG. 4 is a right side view of FIG. 1;
FIG. 5 is a left side view of FIG. 1;
FIG. 6 is a top view of FIG. 1; and,
FIG. 7 is a bottom view of FIG. 1.
The broken lines are for environmental purposes only and
form no part of the claimed design.

1 Claim, 6 Drawing Sheets



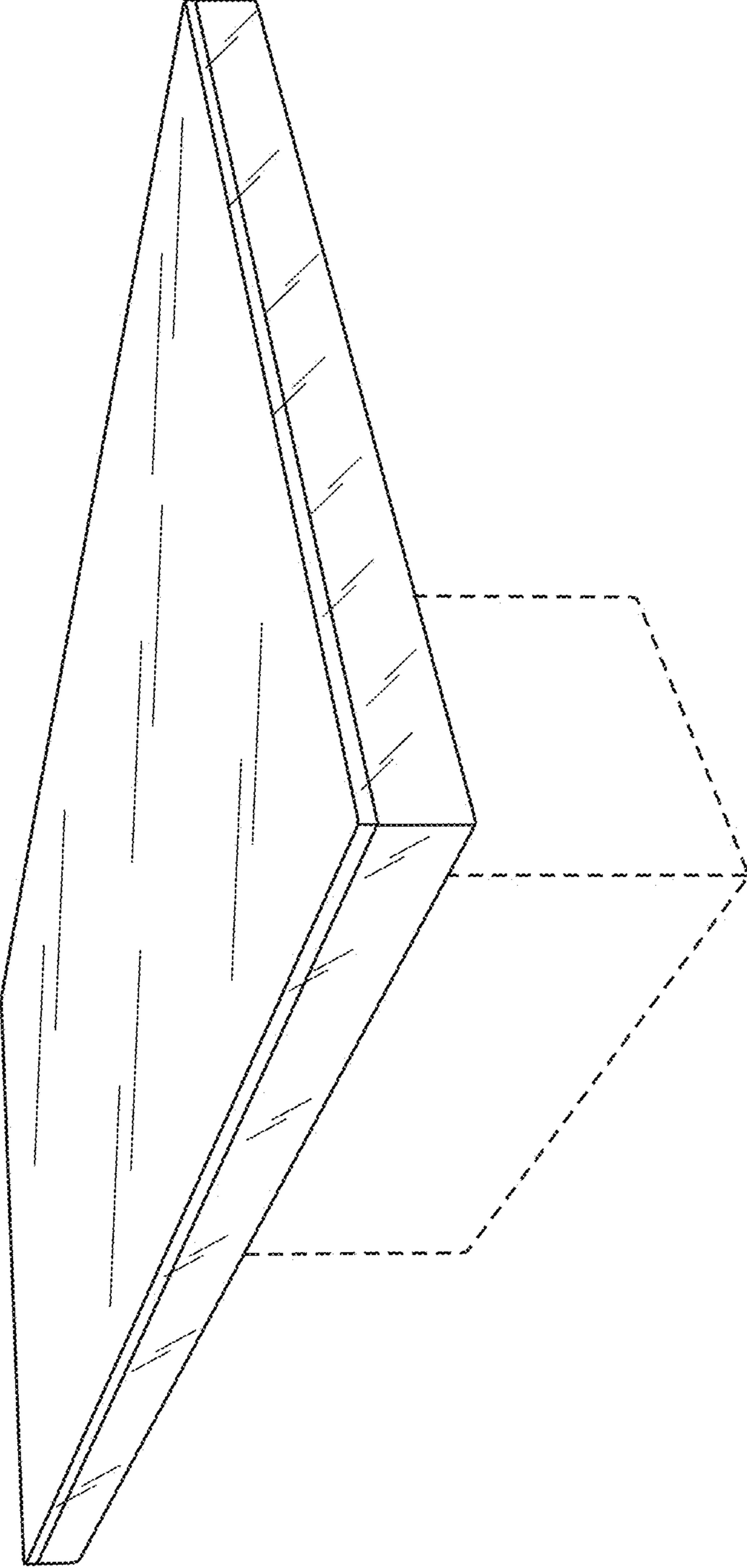


FIG. 1

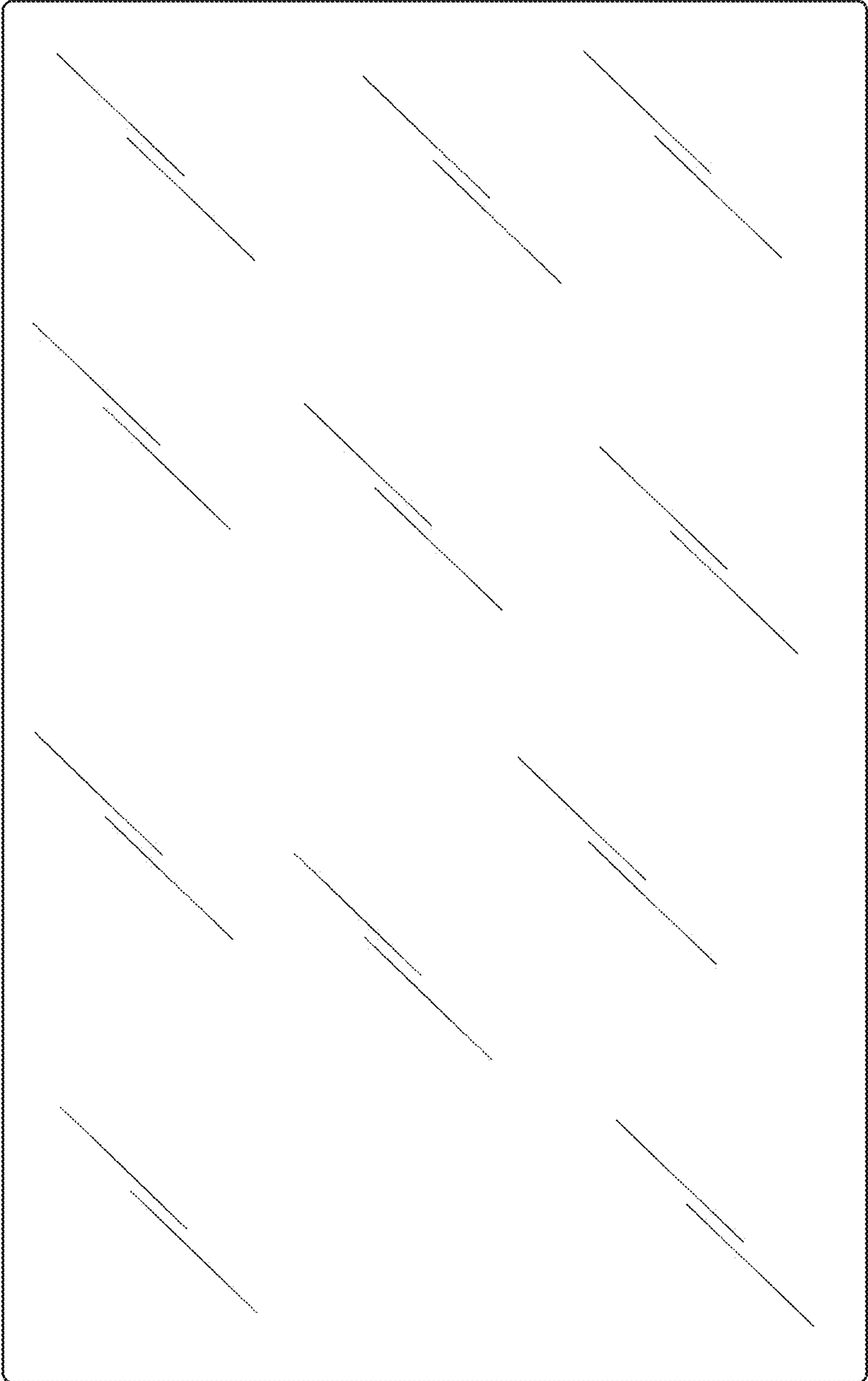


FIG. 2

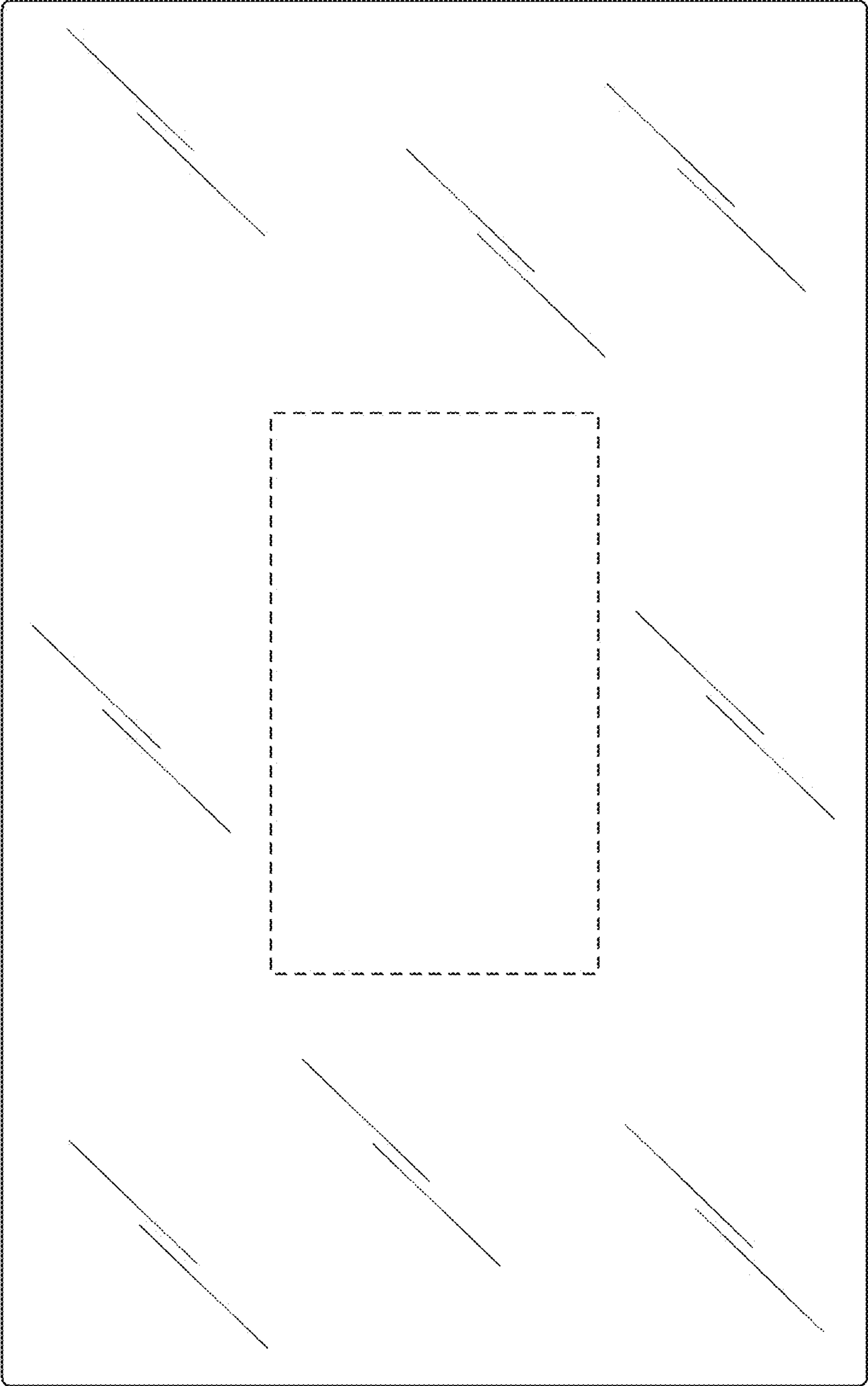


FIG. 3

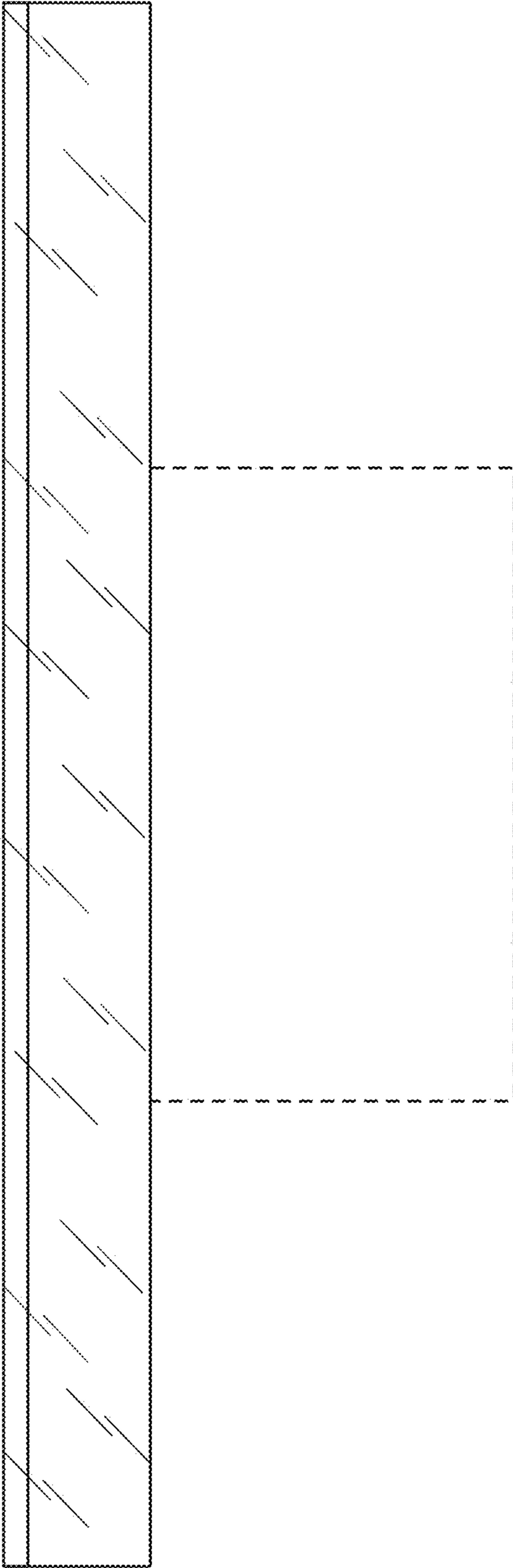


FIG. 4

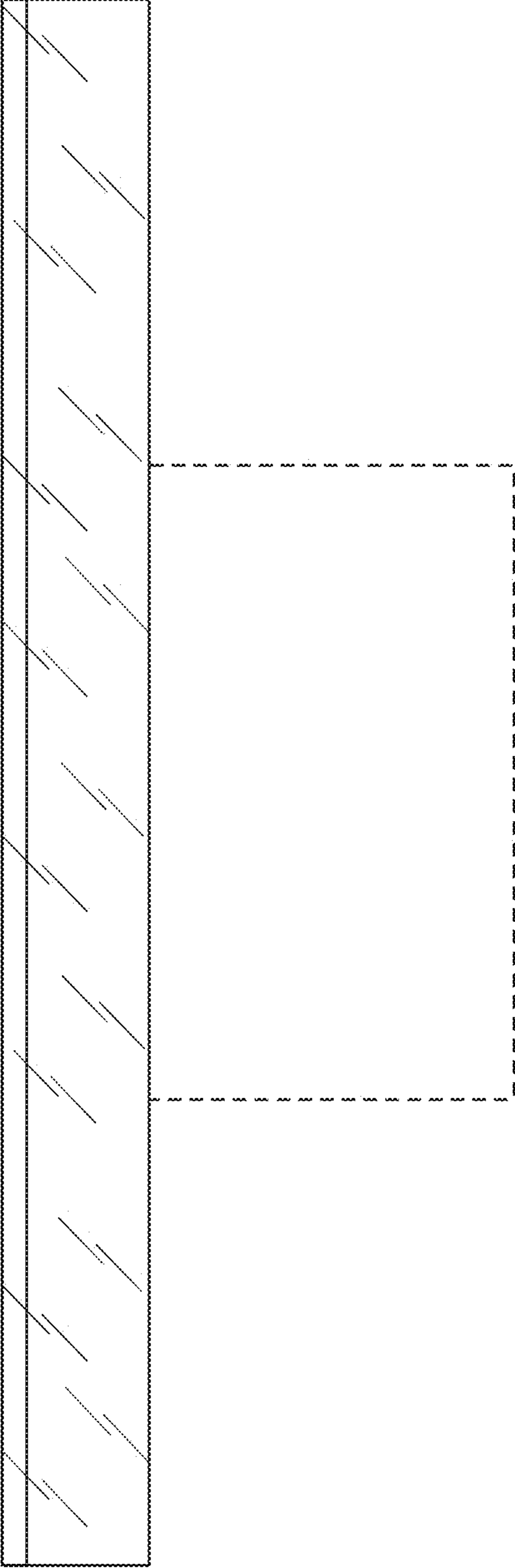


FIG. 5

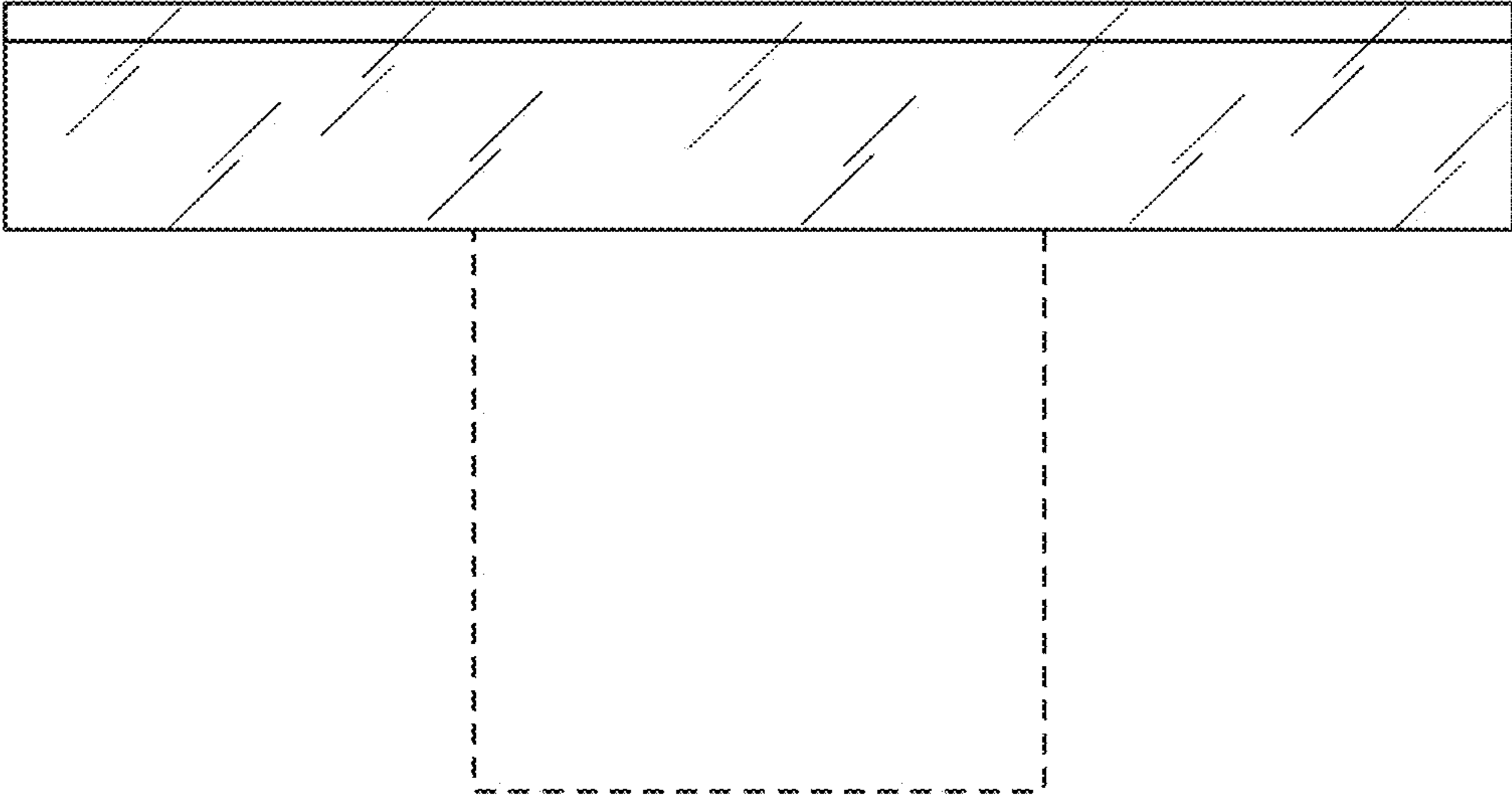


FIG. 6

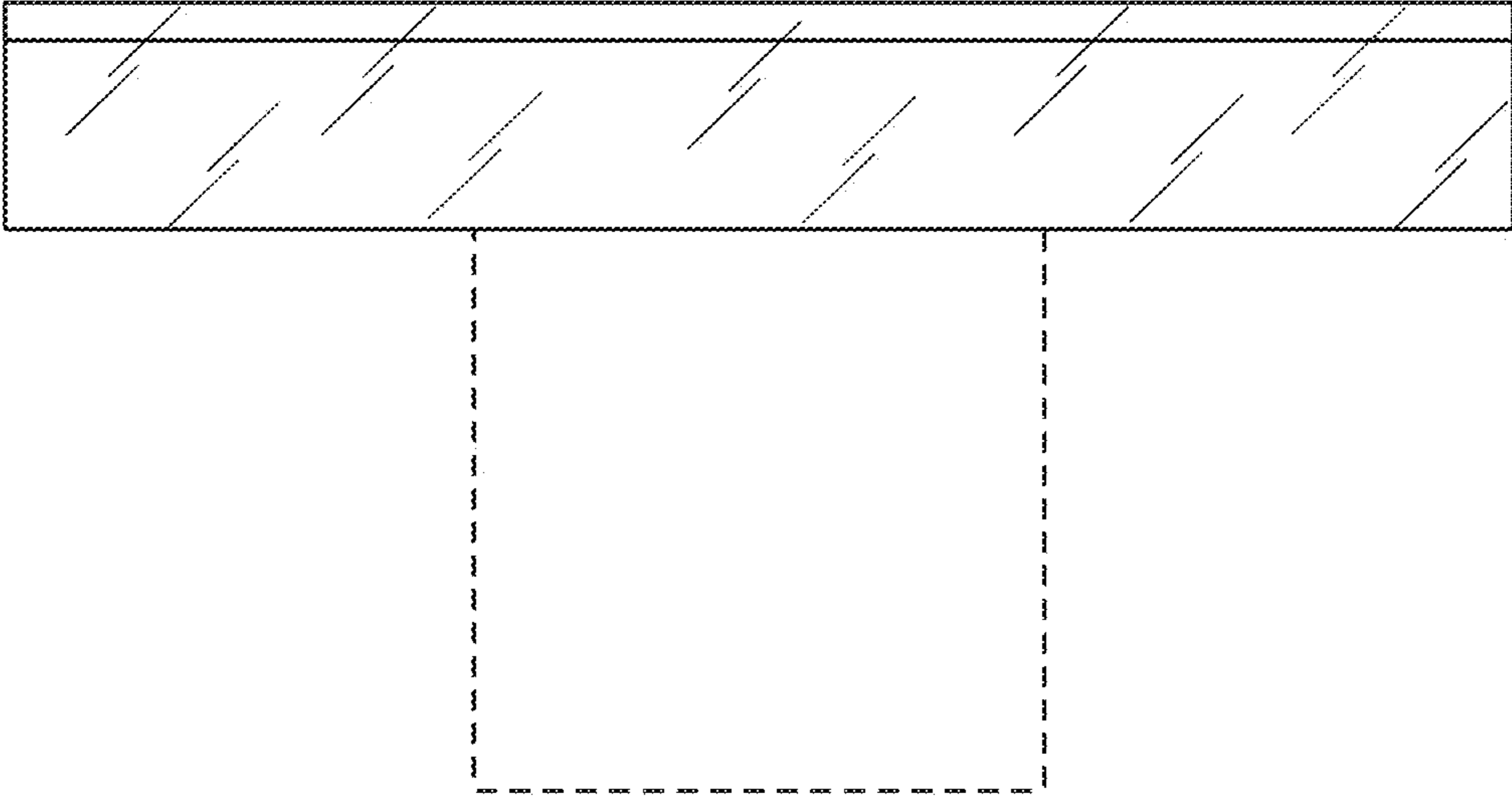


FIG. 7