



US00D743195S

(12) **United States Design Patent**
McQuaid

(10) **Patent No.:** **US D743,195 S**

(45) **Date of Patent:** **** Nov. 17, 2015**

(54) **TABLE COVER**

(71) Applicant: **Michael Shawn McQuaid**, Bucerias
(MX)

(72) Inventor: **Michael Shawn McQuaid**, Bucerias
(MX)

(73) Assignee: **McQuaid Leisure Products Ltd.**,
Kelowna, British Columbia

(**) Term: **14 Years**

(21) Appl. No.: **29/497,243**

(22) Filed: **Jul. 22, 2014**

(51) **LOC (10) Cl.** **06-99**

(52) **U.S. Cl.**
USPC **D6/707**

(58) **Field of Classification Search**
USPC D2/860; D5/63; D6/582-592, 598, 603,
D6/606, 612-614, 617-619, 707, 707.1,
D6/707.12, 707.16, 707.18, 707.22;
D21/312, 334, 350, 361; D25/68, 69;
D32/55, 56, 57; 273/127 B, 277
CPC A47G 11/00; A47G 23/06; A47G 23/08;
A47G 23/12; A47G 27/02; A47G 27/025;
A47G 27/0275; A47G 27/0281; A47G
27/0287; A47L 23/22; A47L 23/26; A63F
3/00028

See application file for complete search history.

(56) **References Cited**

U.S. PATENT DOCUMENTS

D114,231 S * 4/1939 Otis D7/698
D288,513 S * 3/1987 Shelly D7/555

D300,496 S * 4/1989 Childress D7/553.4
D331,330 S * 12/1992 Bennett et al. D6/406.3
D417,785 S * 12/1999 Daniels D3/313
D427,822 S * 7/2000 Greger D6/707.16
D477,171 S * 7/2003 Gabbour D6/582
D659,479 S * 5/2012 Peck D7/555
D695,077 S * 12/2013 Chase D7/555
D699,012 S * 2/2014 Ziemann et al. D32/55
2009/0167041 A1 * 7/2009 James et al. 294/141
2014/0238982 A1 * 8/2014 Dabney-Wiggs 220/23.83

* cited by examiner

Primary Examiner — Karen S Acker

Assistant Examiner — Clare Ann Gannon

(74) *Attorney, Agent, or Firm* — Michael R. Schacht;
Schacht Law Office, Inc.

(57) **CLAIM**

The ornamental design for a table cover, as shown and described.

DESCRIPTION

FIG. 1 is a top isometric view of table cover showing my new design. A flap of a storage compartment of the table cover is shown in an open configuration.

FIG. 2 is a bottom isometric view thereof;

FIG. 3 is a front view thereof showing the table cover in a position of use on an unclaimed support frame.

FIG. 4 is a right side view thereof;

FIG. 5 is a left side view thereof;

FIG. 6 is a back view thereof;

FIG. 7 is a top view thereof; and,

FIG. 8 is a bottom view thereof.

The broken lines in FIG. 3 depict environmental material that forms no part of the claimed design.

1 Claim, 5 Drawing Sheets

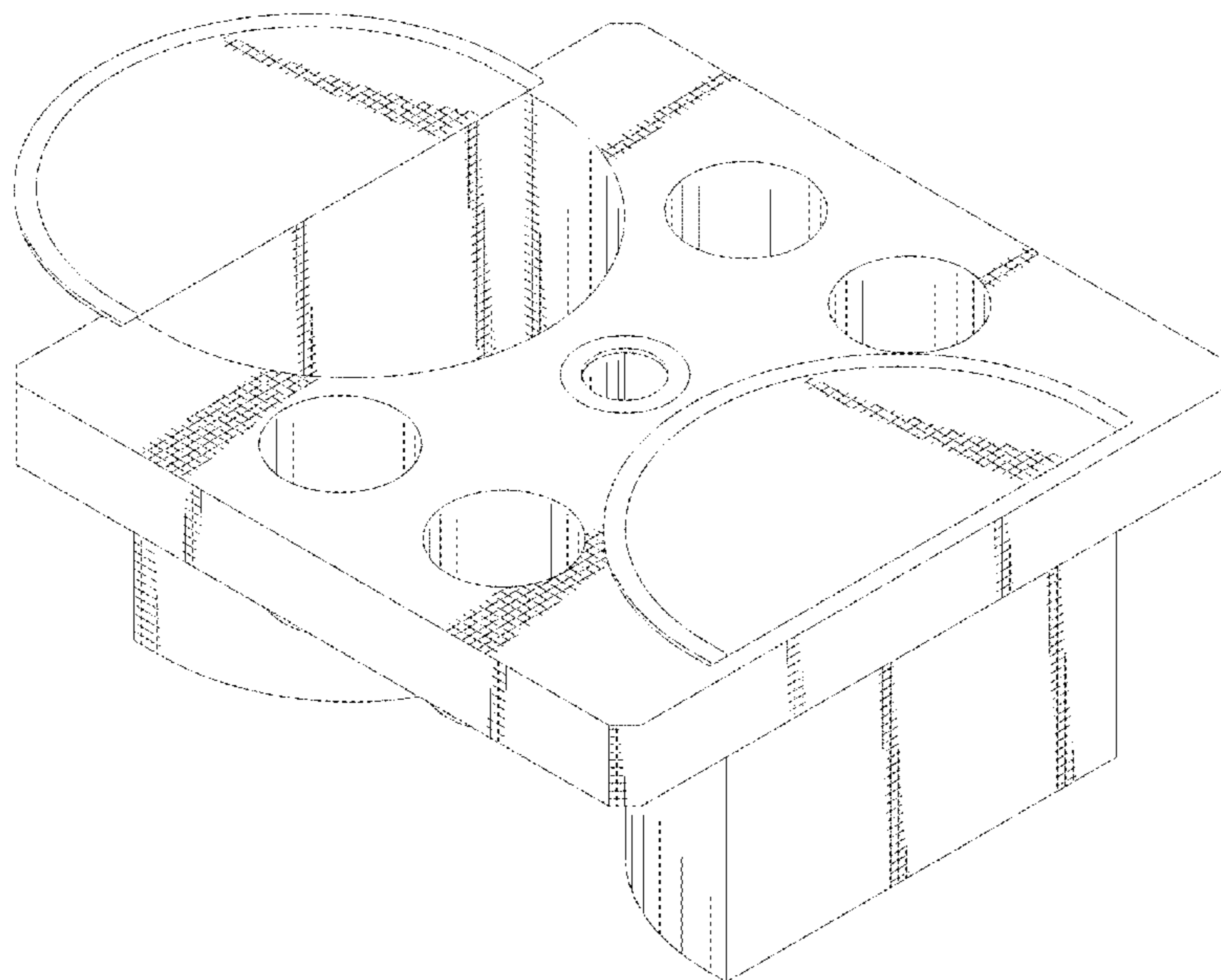


FIG. 1

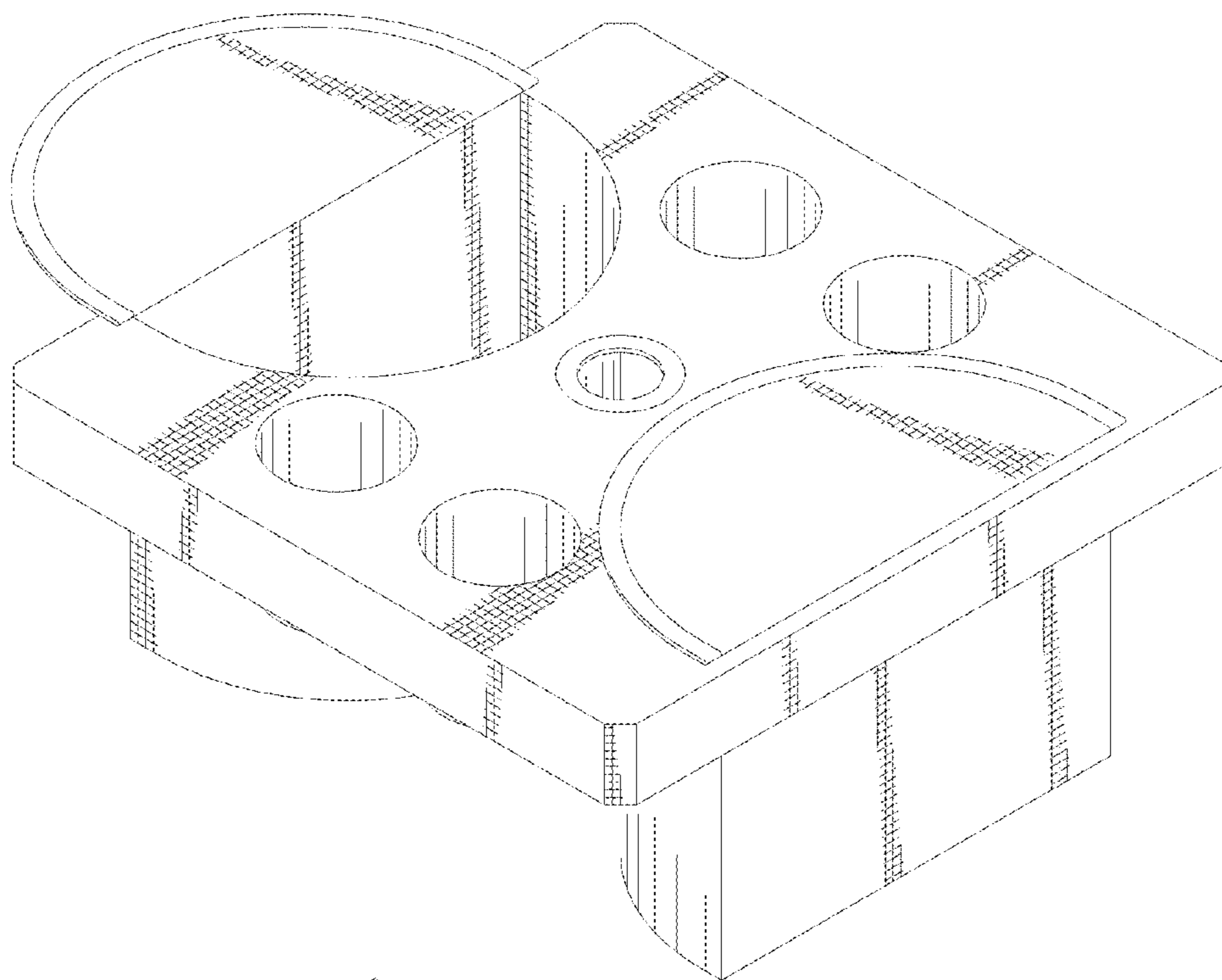


FIG. 2

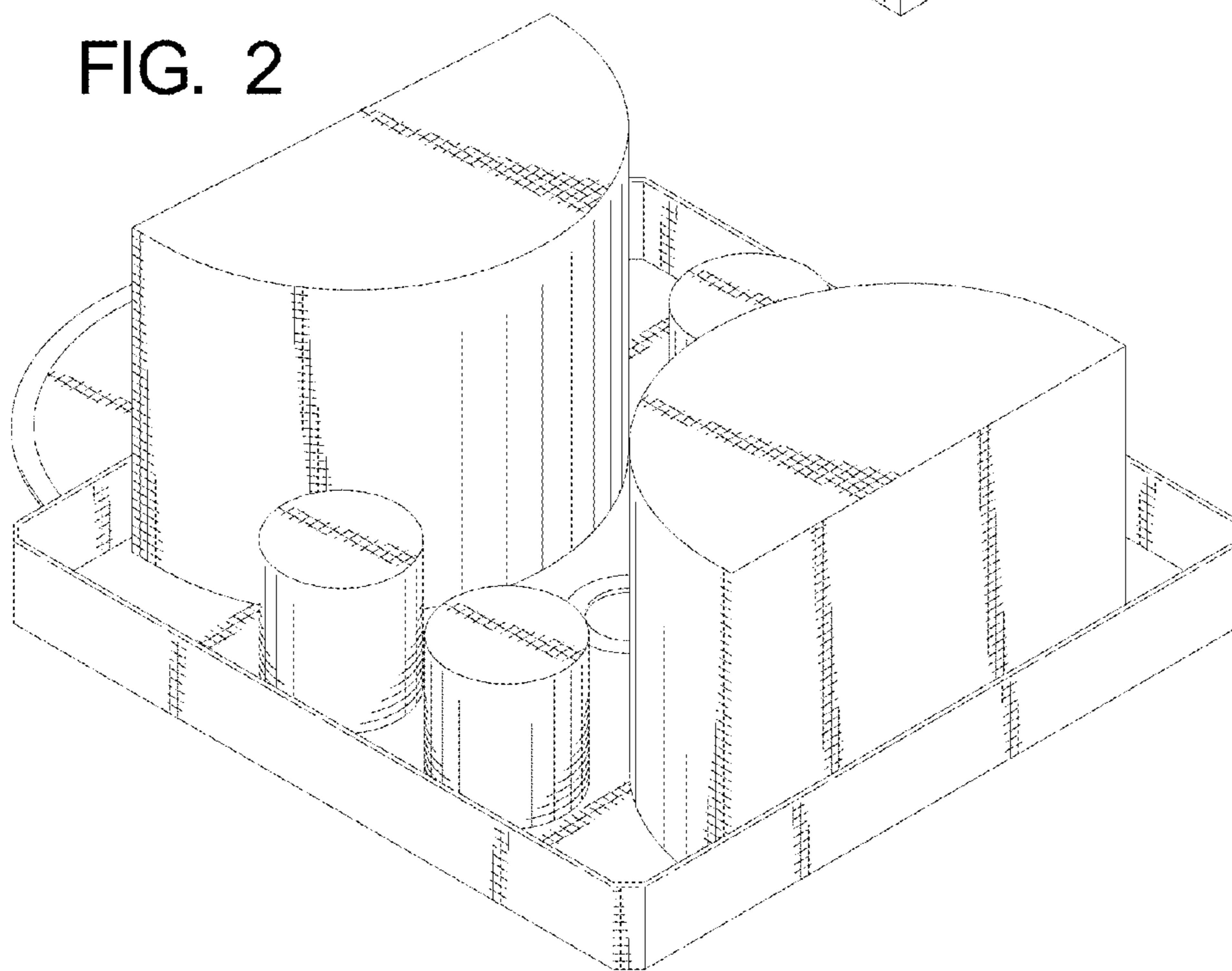


FIG. 3

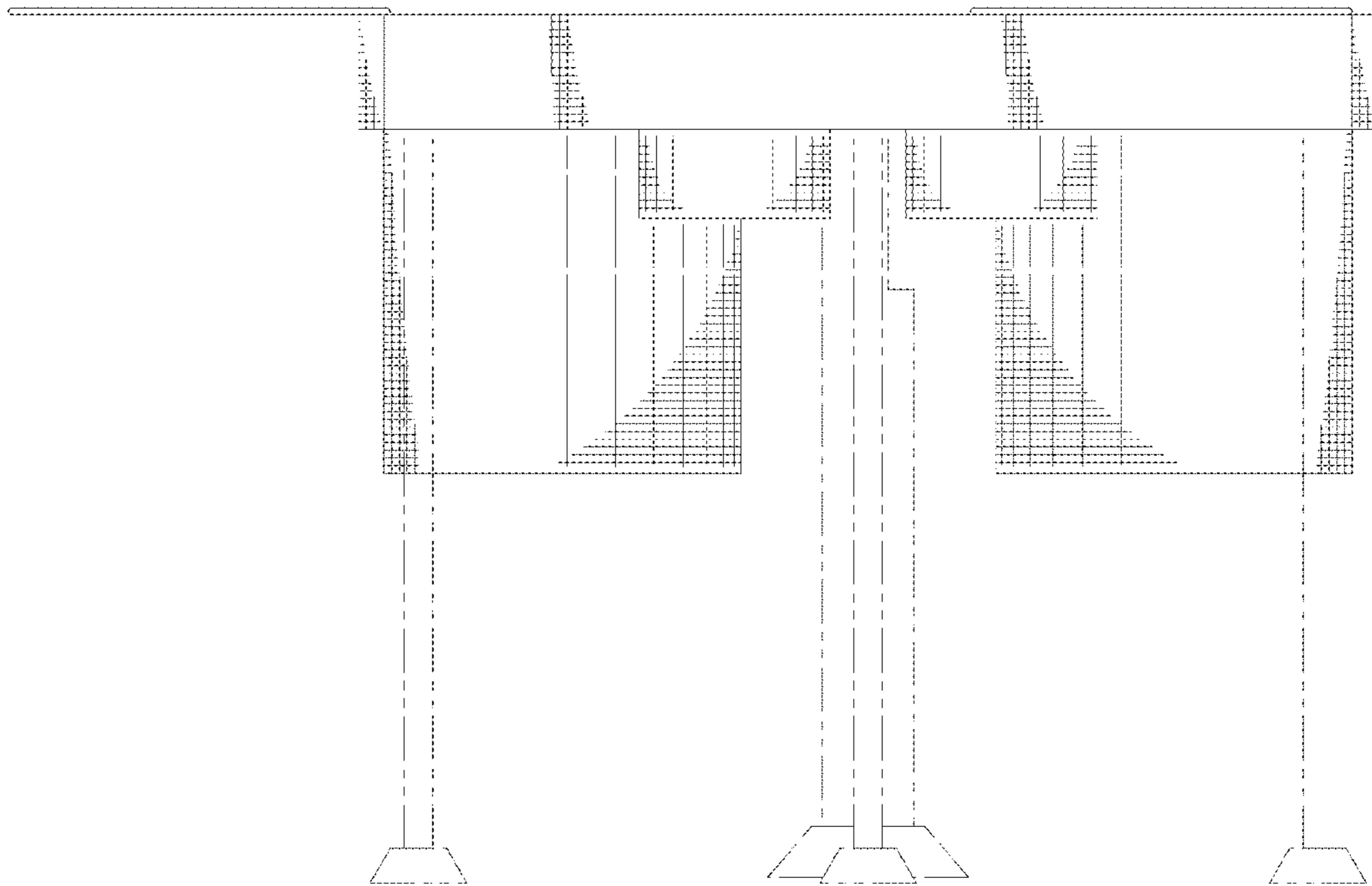


FIG. 4

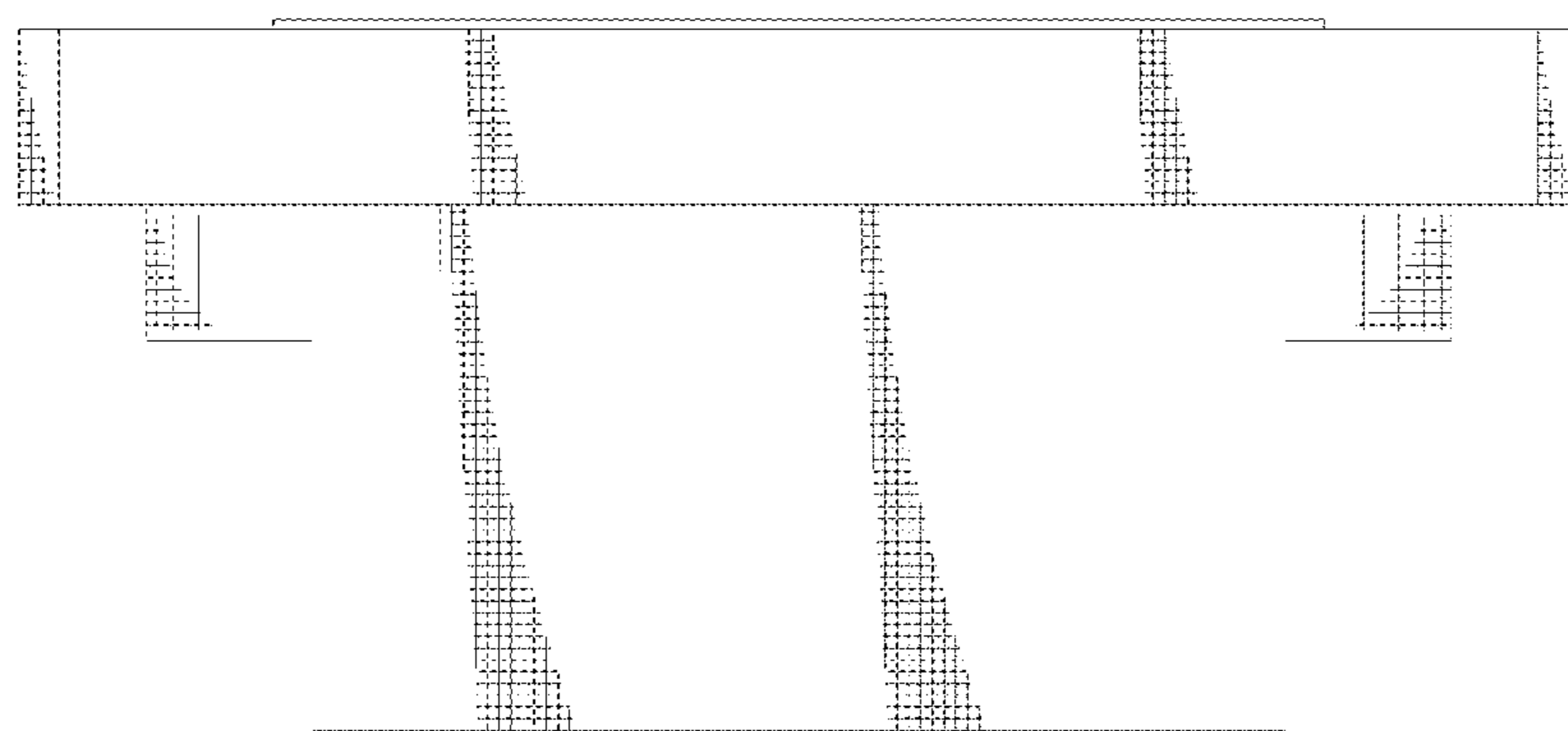


FIG. 5

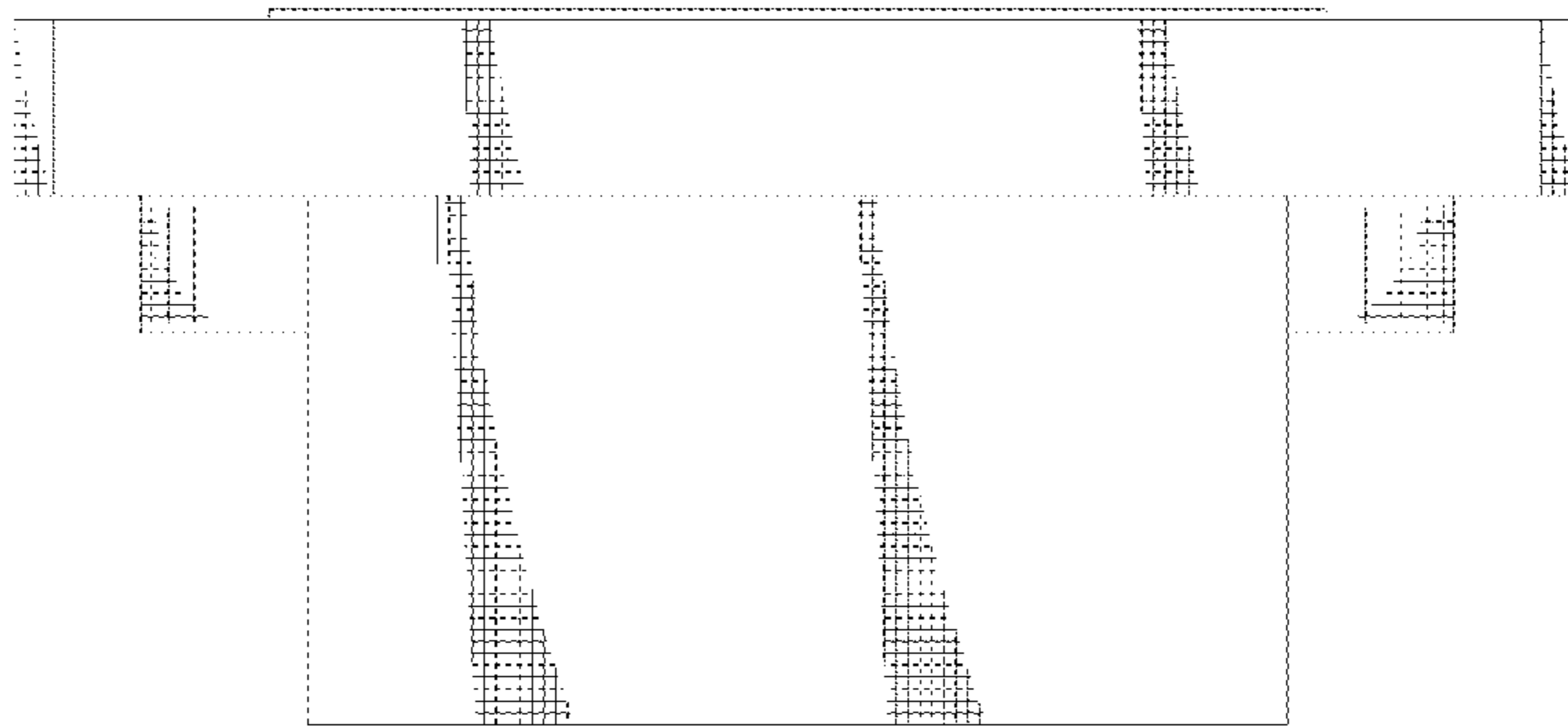


FIG. 6

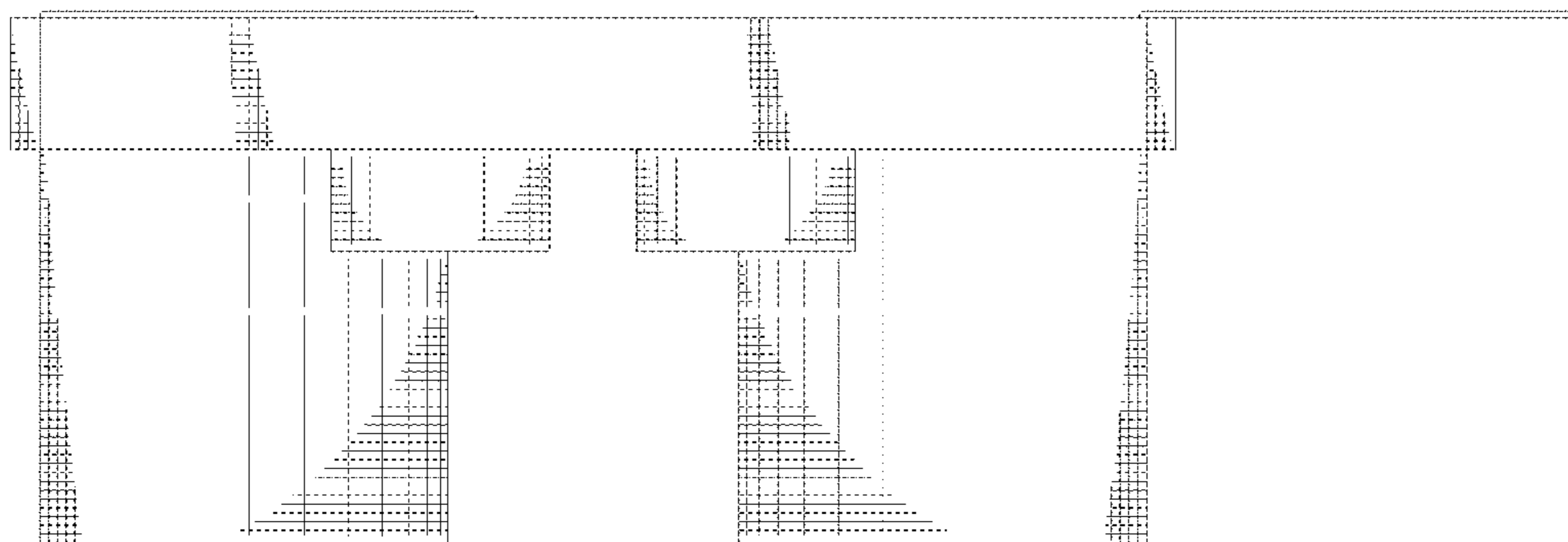


FIG. 7

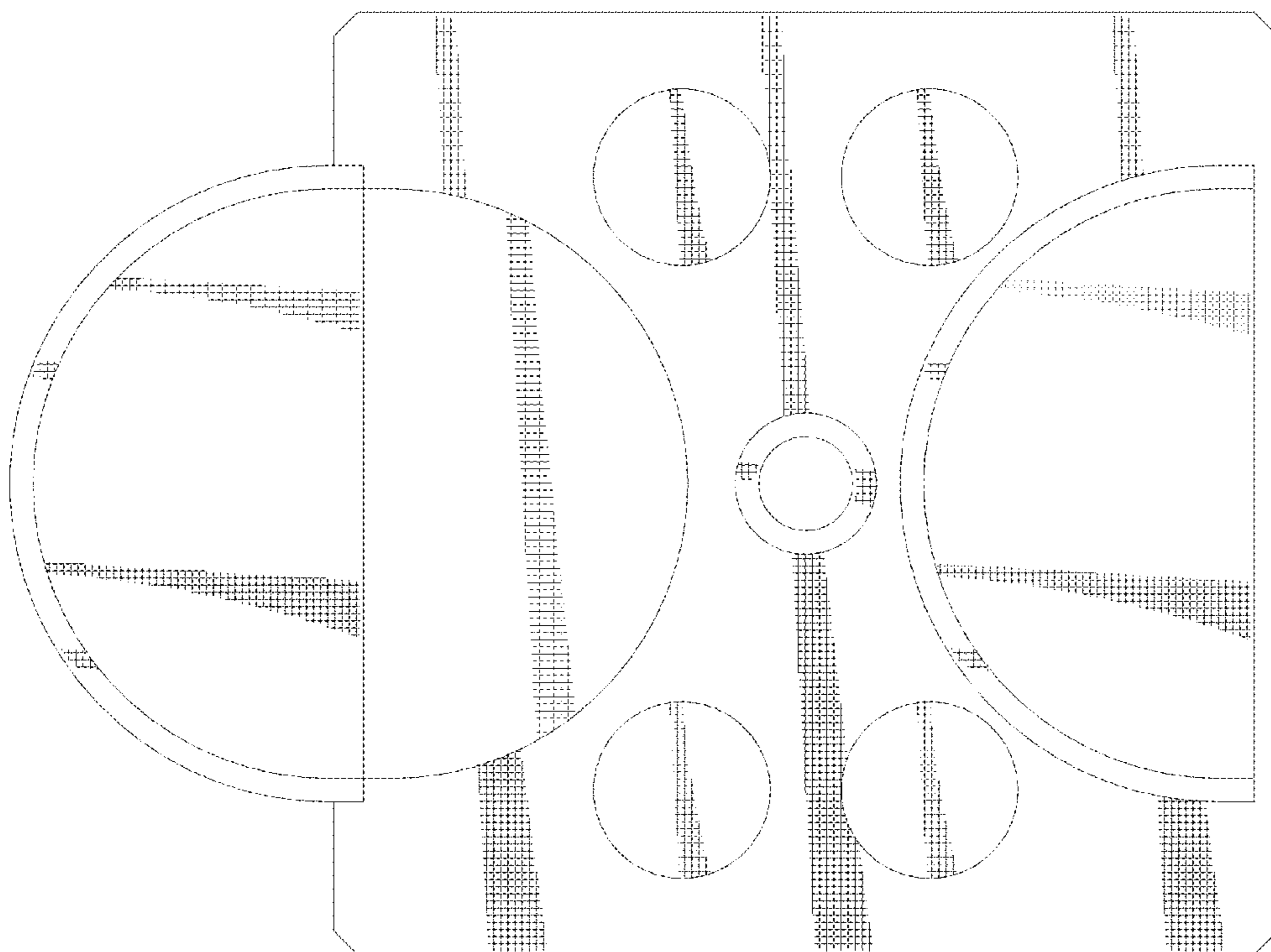


FIG. 8

