



US00D743193S

(12) **United States Design Patent**
Troyner et al.

(10) **Patent No.:** **US D743,193 S**

(45) **Date of Patent:** **** Nov. 17, 2015**

(54) **PANEL FOR A TOOL CHEST HAVING A
TRANSPARENT PORTION**

(71) Applicant: **Edsal Manufacturing Co., Inc.**,
Chicago, IL (US)

(72) Inventors: **Anthony J. Troyner**, Shorewood, IL
(US); **David J. Wojtowicz**, Orland Park,
IL (US); **Scott Fitzgerald**, Lowell, IN
(US)

(73) Assignee: **Edsal Manufacturing Company, Inc.**,
Chicago, IL (US)

(**) Term: **14 Years**

(21) Appl. No.: **29/470,833**

(22) Filed: **Oct. 25, 2013**

(51) **LOC (10) Cl.** **06-04**

(52) **U.S. Cl.**
USPC **D6/703.1**

(58) **Field of Classification Search**
USPC D3/279, 283–284, 286, 297, 318–319,
D3/905; D6/662, 663, 664.1, 668, 668.1,
D6/668.2, 669, 671, 671.1, 671.2, 671.3,
D6/671.4, 705, 705.5; D34/19, 20, 21
CPC A47B 49/00; A47B 49/002; A47B 67/00;
A47B 67/04; A47B 87/02; A47B 88/04;
A47B 88/0411; A47B 88/20; A47B 2210/00;
A47B 2210/004; A47B 2210/0078; A47B
2210/0008; A47F 3/00; B62B 3/00; B25H
3/00; B25H 3/003; B25H 3/006; B25H 3/02;
B25H 3/021; B25H 3/028; B25H 3/04
See application file for complete search history.

(56) **References Cited**

U.S. PATENT DOCUMENTS

D218,080 S * 7/1970 Sierzega D3/297
D281,748 S * 12/1985 Kiiski D6/671.1
D286,714 S * 11/1986 Verholt D6/671.1
D430,426 S * 9/2000 Bieker et al. D6/671.1
D568,078 S * 5/2008 Kohagen et al. D6/705.5
D573,792 S * 7/2008 Hand D3/297

D574,629 S * 8/2008 Kalkwarf D6/671.1
D586,163 S * 2/2009 Hand D6/705.5
D587,013 S * 2/2009 Hand
D587,014 S * 2/2009 Hand D3/318
D719,771 S * 12/2014 Bergum D6/705.5
D723,841 S * 3/2015 Troyner et al. D6/671.2
2007/0063624 A1 * 3/2007 Liao 312/282
2007/0274042 A1 * 11/2007 Jackson et al. 361/695

FOREIGN PATENT DOCUMENTS

TW 536173 6/2003
TW D127441 2/2009
TW D134058 4/2010

* cited by examiner

Primary Examiner — Ricky Pham

(74) *Attorney, Agent, or Firm* — Wood, Herron & Evans,
LLP

(57) **CLAIM**

The ornamental design for a panel for a tool chest having a
transparent portion, as shown and described.

DESCRIPTION

FIG. 1 is a front isometric view of a first embodiment of our
new, original and ornamental design in its environment;
FIG. 2 is a front isometric view thereof;
FIG. 3 is a front view thereof;
FIG. 4 is an enlarged right side view, the left side view being
a mirror image thereof;
FIG. 5 is a top view thereof;
FIG. 6 is a bottom view thereof;
FIG. 7 is a rear view thereof;
FIG. 8 is a front isometric view of a second embodiment of
our new, original and ornamental design in its environment;
FIG. 9 is a front isometric view thereof;
FIG. 10 is a front view thereof;
FIG. 11 is an enlarged right side view, the left side view being
a mirror image thereof;
FIG. 12 is a top view thereof;
FIG. 13 is a bottom side thereof;
FIG. 14 is a rear side view thereof;
FIG. 15 is a front isometric view of a third embodiment of our
new, original and ornamental design in its environment;

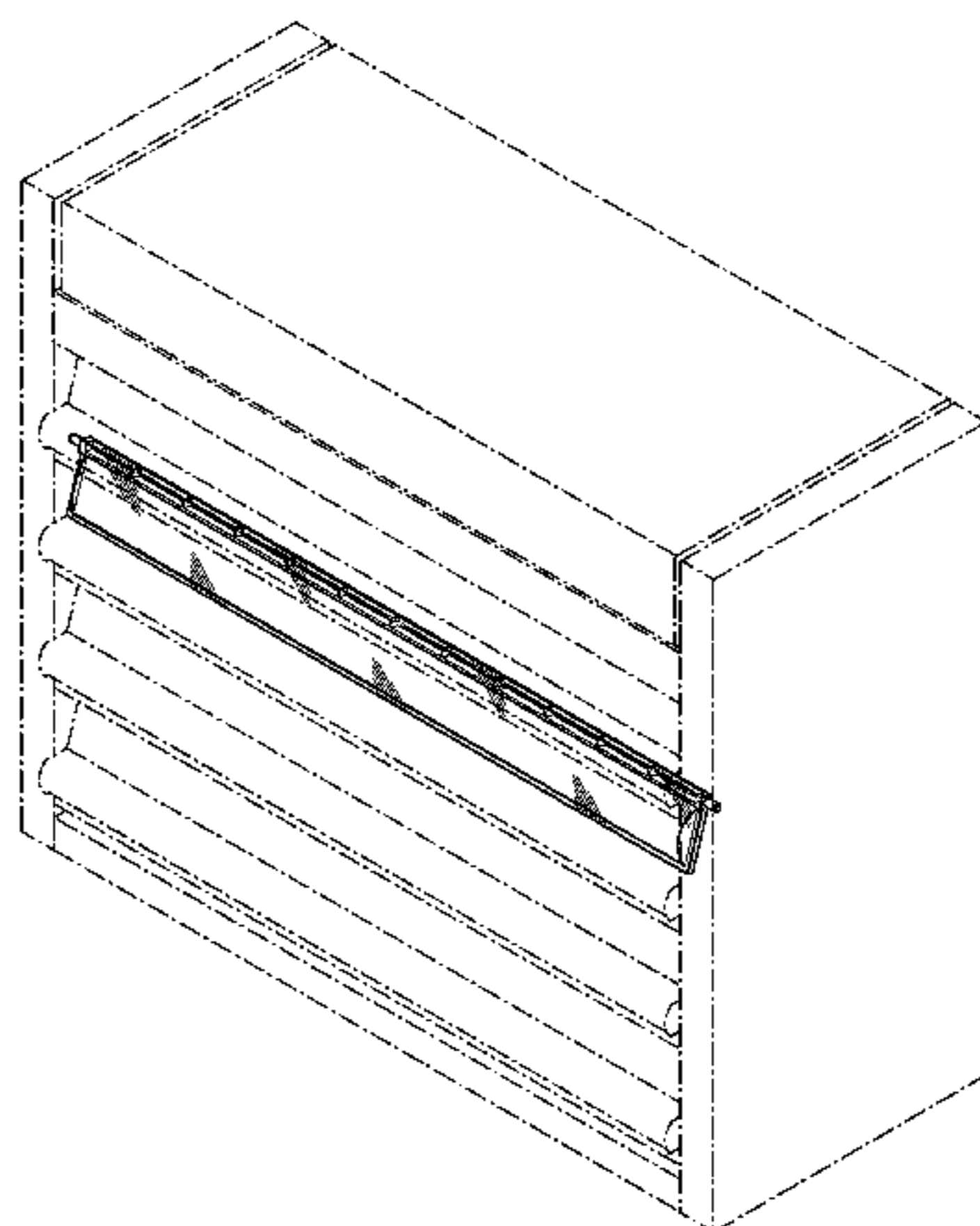


FIG. 16 is a front isometric view thereof;
FIG. 17 is a front view thereof;
FIG. 18 is an enlarged right side view, the left side view being a mirror image thereof;
FIG. 19 is a top view thereof;
FIG. 20 is a bottom view thereof;
FIG. 21 is a rear view thereof;
FIG. 22 is a front isometric view of a fourth embodiment of our new, original and ornamental design in its environment;
FIG. 23 is a front isometric view thereof;
FIG. 24 is a front view thereof;
FIG. 25 is an enlarged right side view, the left side view being a mirror image thereof;
FIG. 26 is a top view thereof;
FIG. 27 is a bottom side thereof;
FIG. 28 is a rear side view thereof;
FIG. 29 is a front isometric view of a fifth embodiment of our new, original and ornamental design in its environment;
FIG. 30 is a front isometric view thereof;
FIG. 31 is a front view thereof;
FIG. 32 is an enlarged right side view, the left side view being a mirror image thereof;

FIG. 33 is a top view thereof;
FIG. 34 is a bottom view thereof;
FIG. 35 is a rear view thereof;
FIG. 36 is a front isometric view of a sixth embodiment of our new, original and ornamental design in its environment;
FIG. 37 is a front isometric view thereof;
FIG. 38 is a front view thereof;
FIG. 39 is an enlarged right side view, the left side view being a mirror image thereof;
FIG. 40 is a top view thereof;
FIG. 41 is a bottom side thereof; and,
FIG. 42 is a rear side view thereof. The broken dash lines in the panel for a tool chest having a transparent portion illustrate an indeterminate dimension in the length or height of the claimed design while the broken dot-dash lines are directed to environment and are for illustrative purposes only. The broken dash lines and broken dot-dash lines form no part of the claimed design. Additionally, the unshown portion of the panel for a tool chest having a transparent portion forms no part of the claimed design.

1 Claim, 18 Drawing Sheets

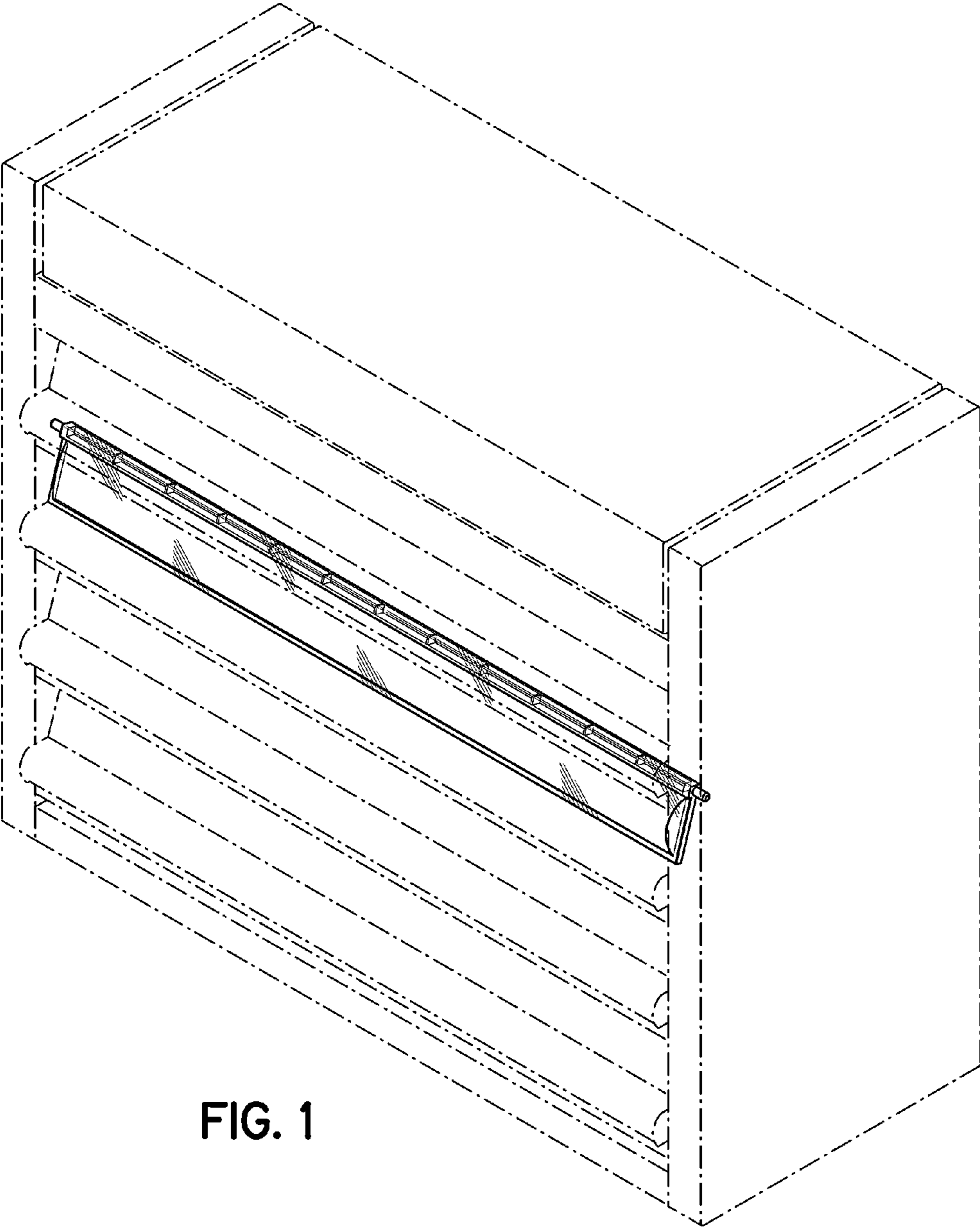


FIG. 1

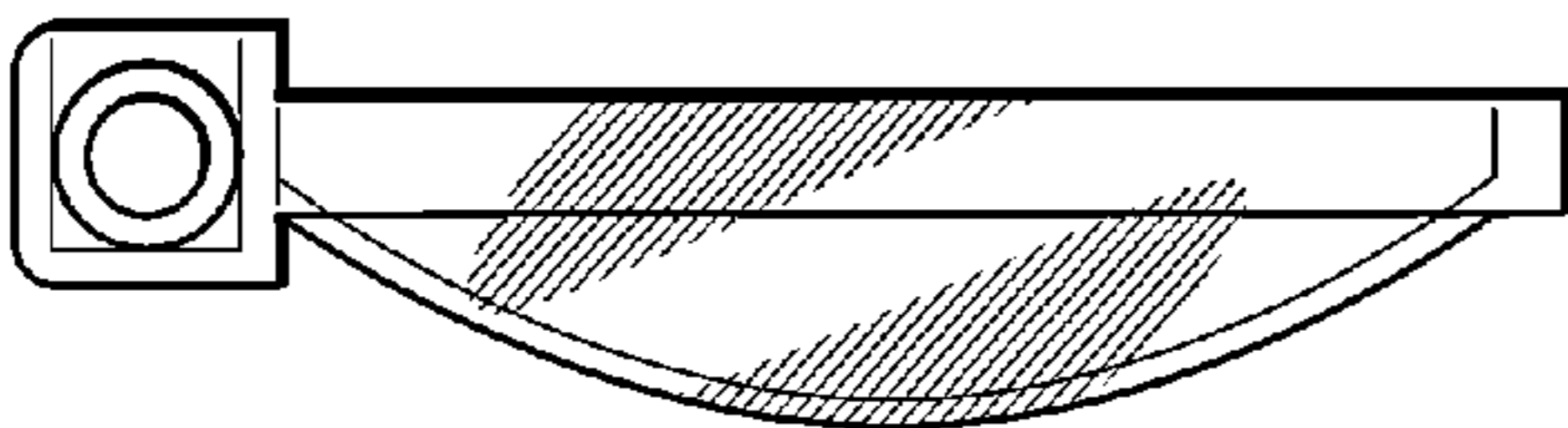


FIG. 4

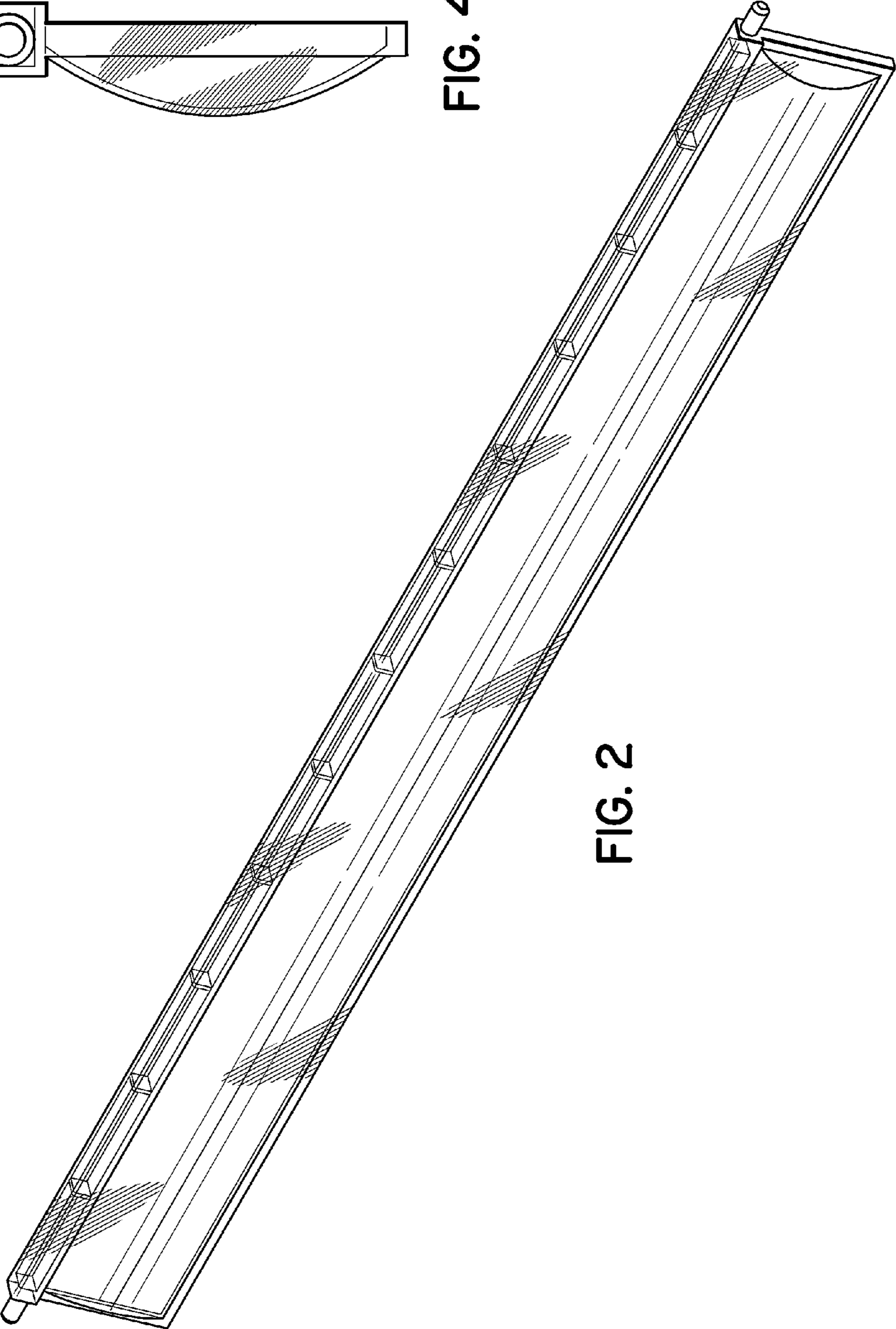


FIG. 2

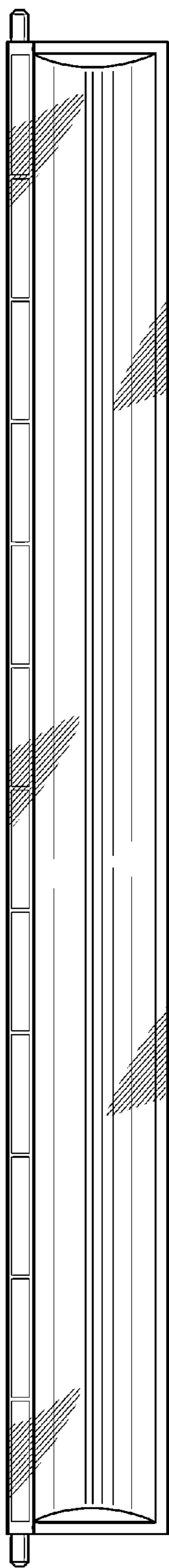


FIG. 3



FIG. 5



FIG. 6

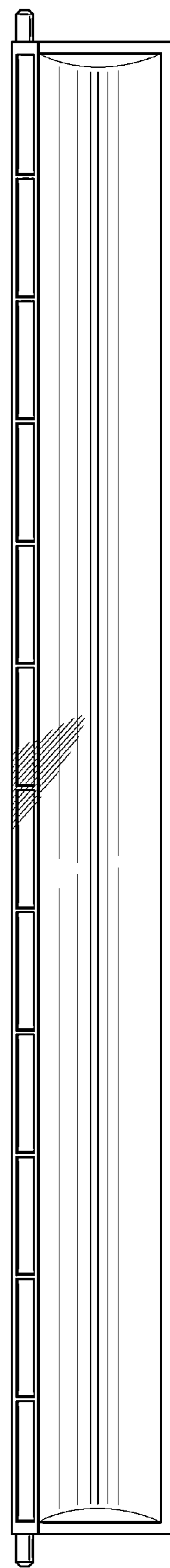


FIG. 7

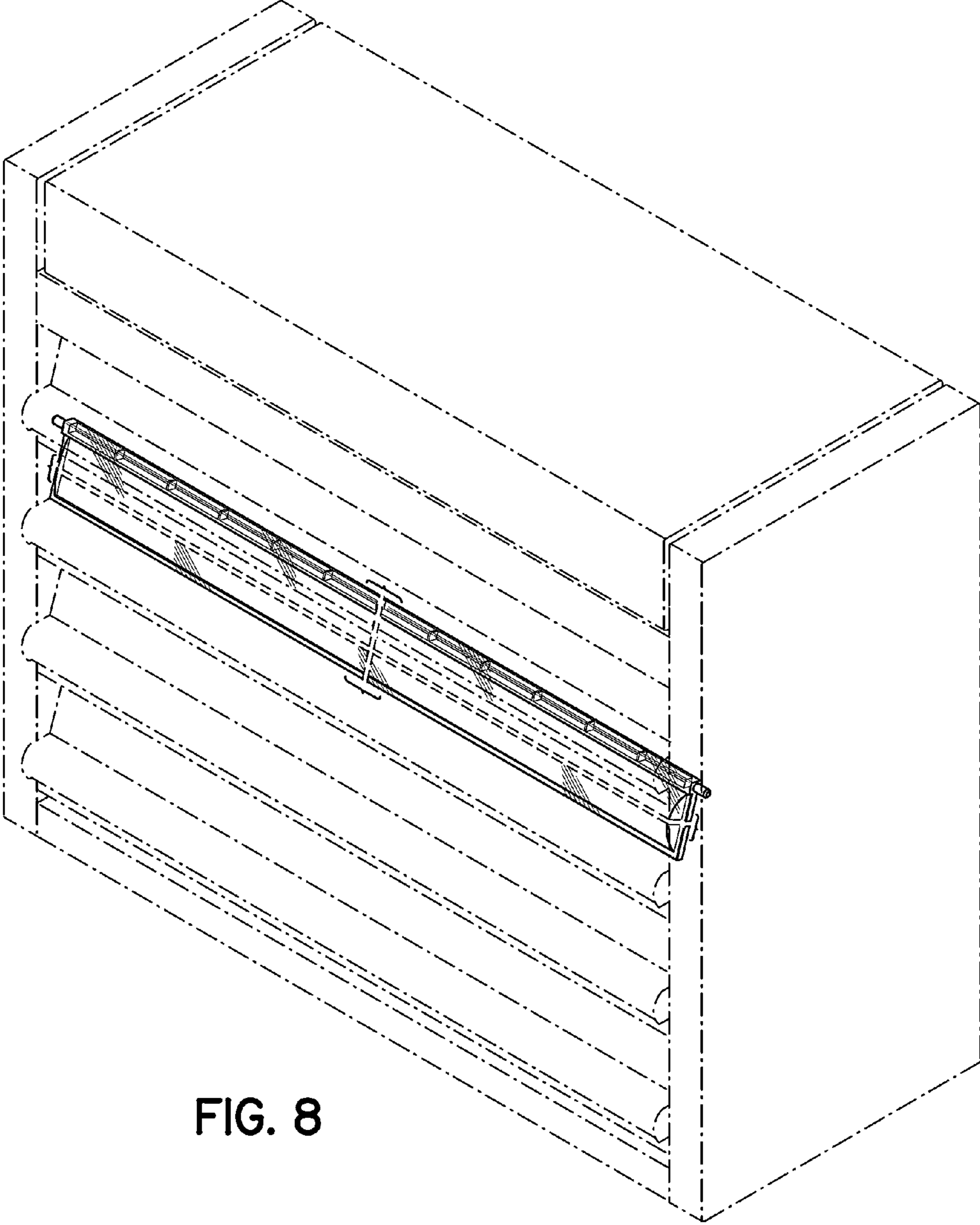


FIG. 8

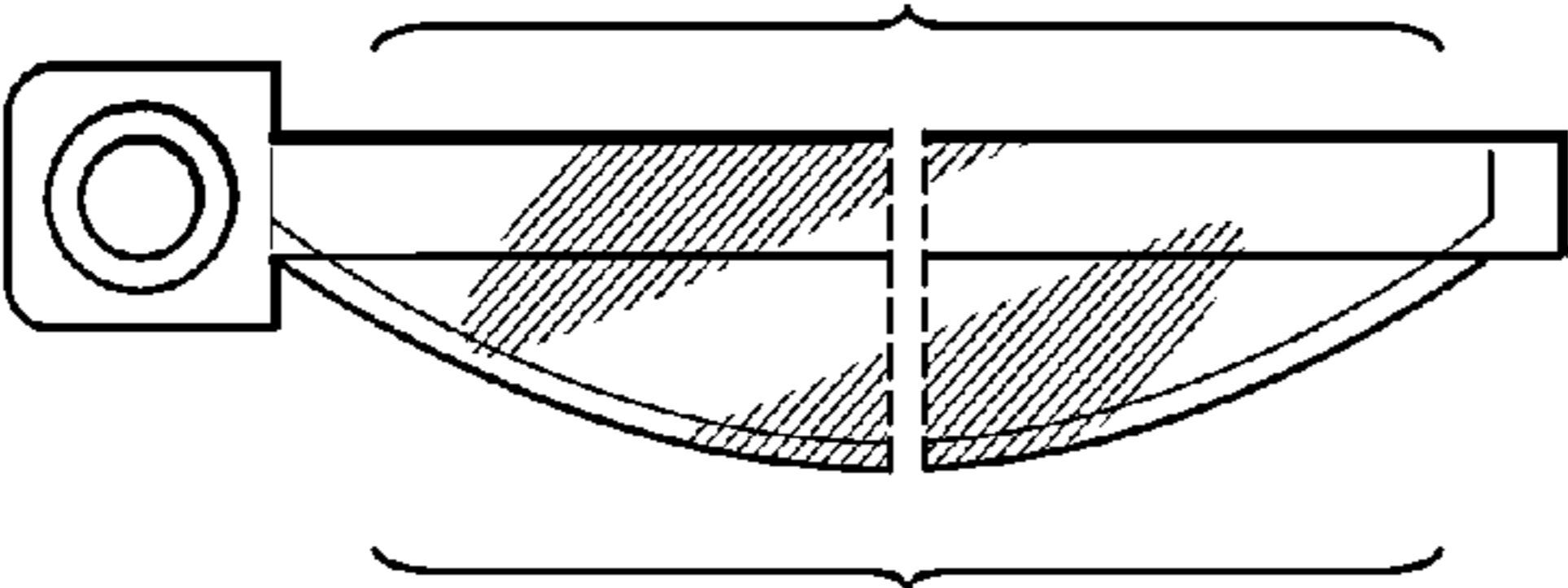


FIG. 11

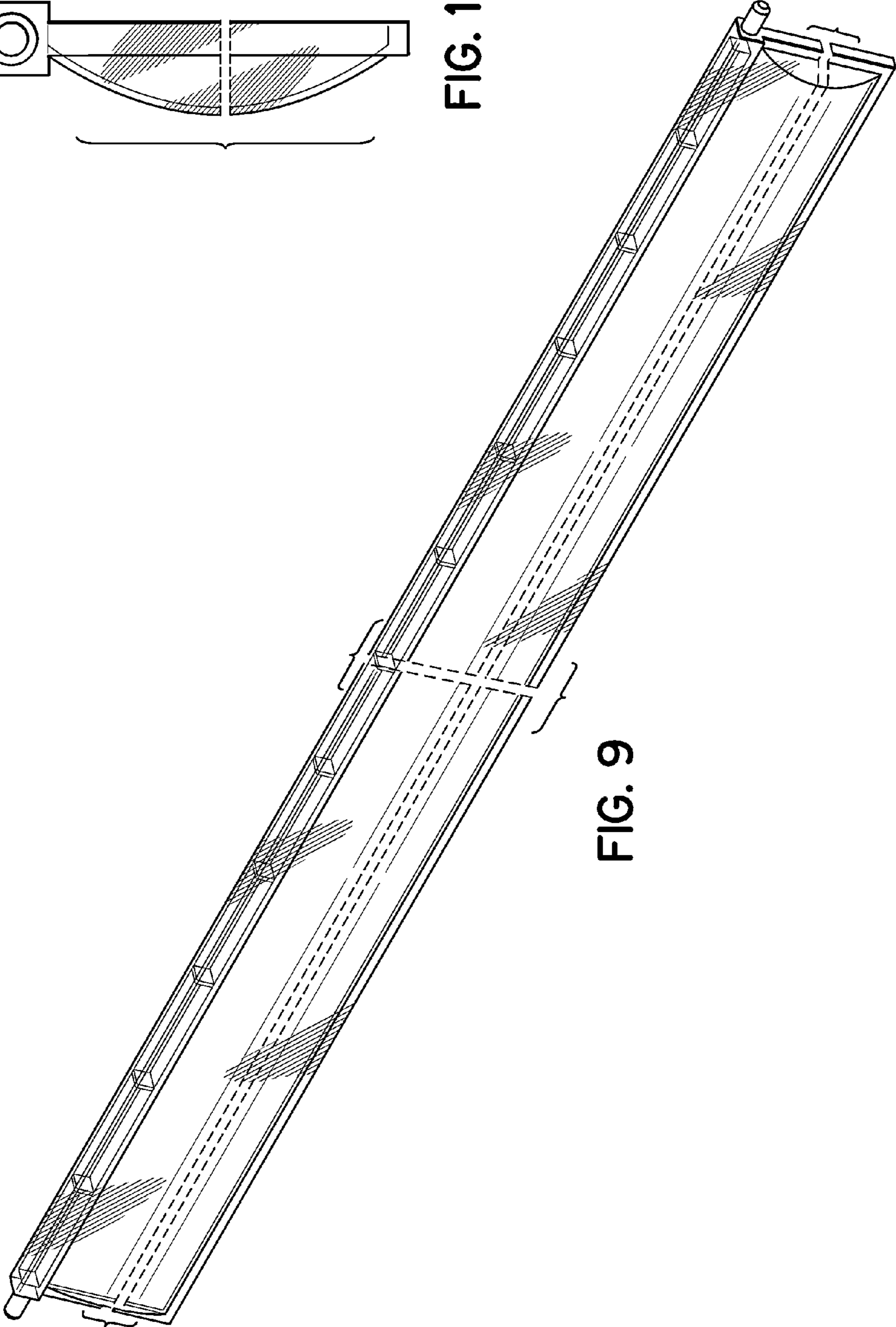


FIG. 9

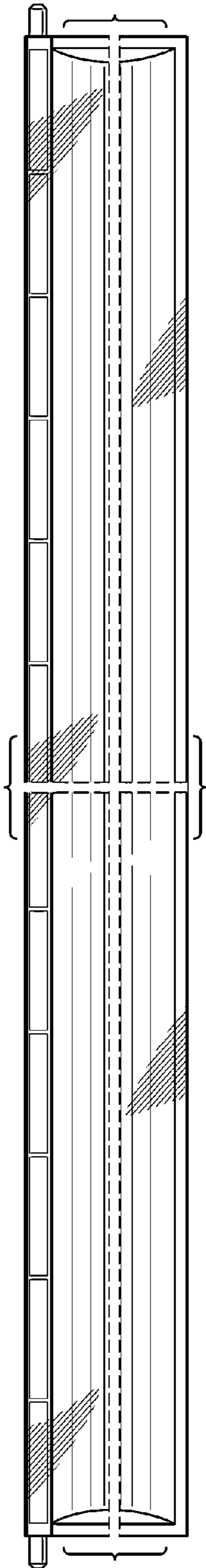


FIG. 10

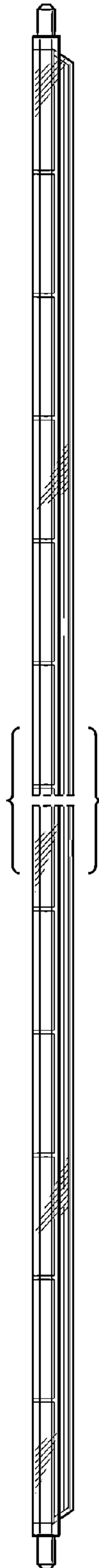


FIG. 12

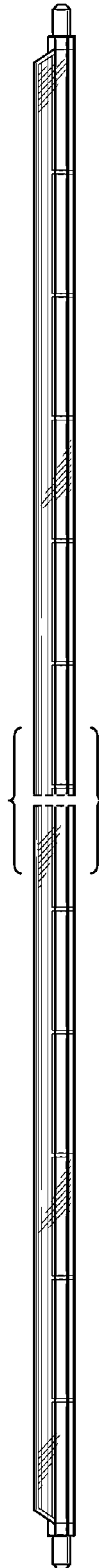


FIG. 13

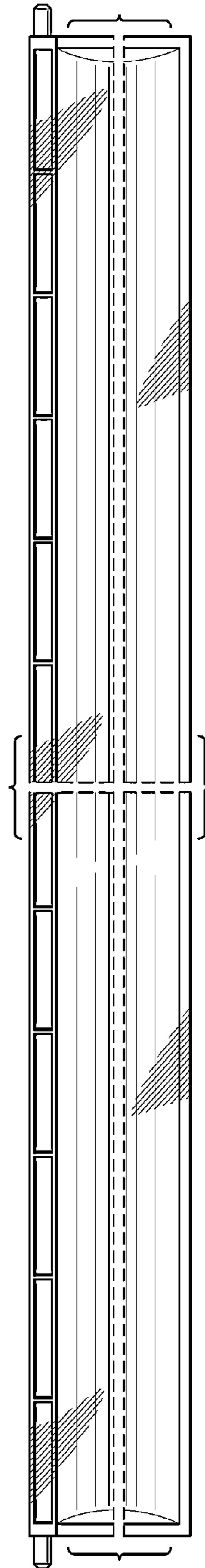


FIG. 14

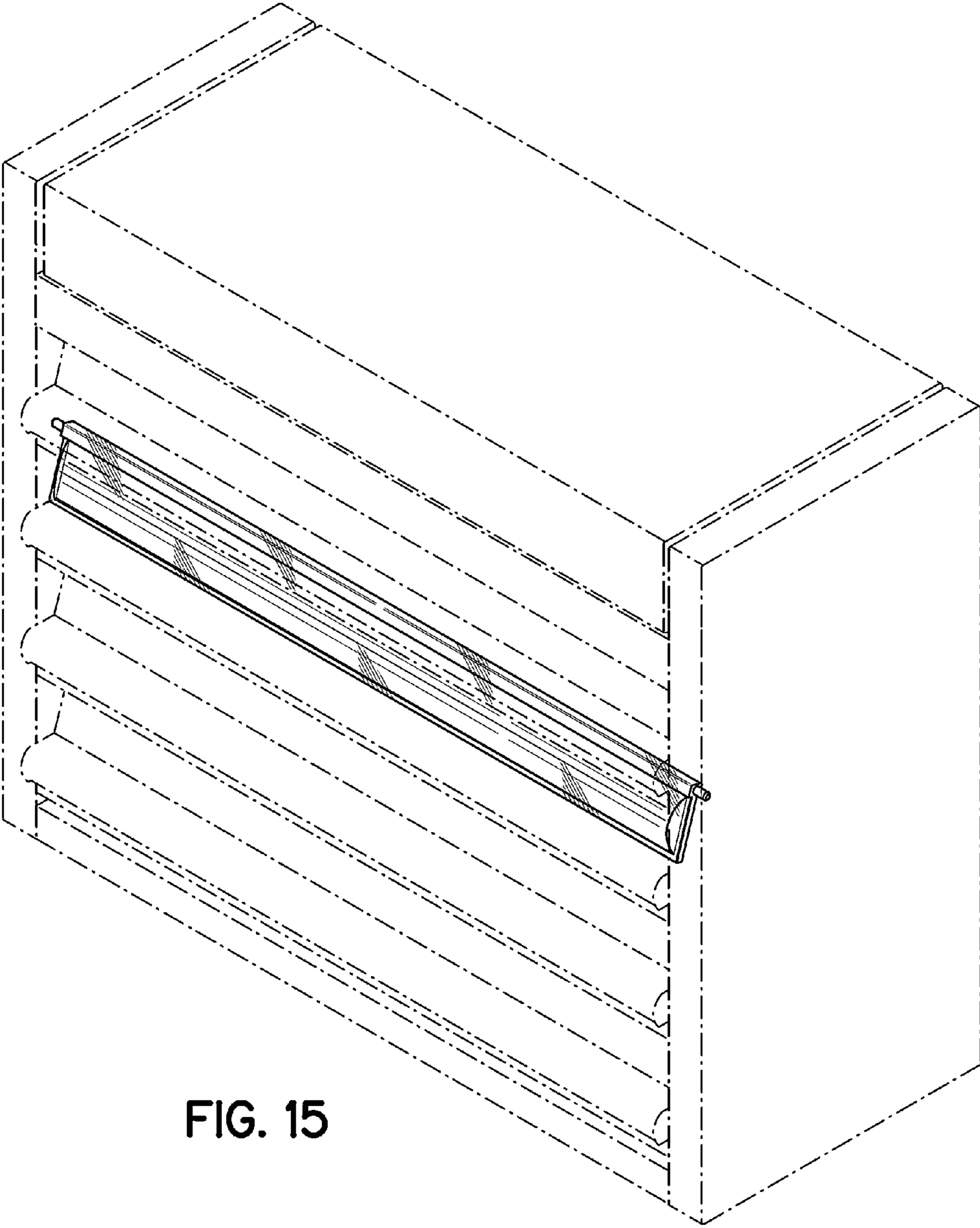


FIG. 15

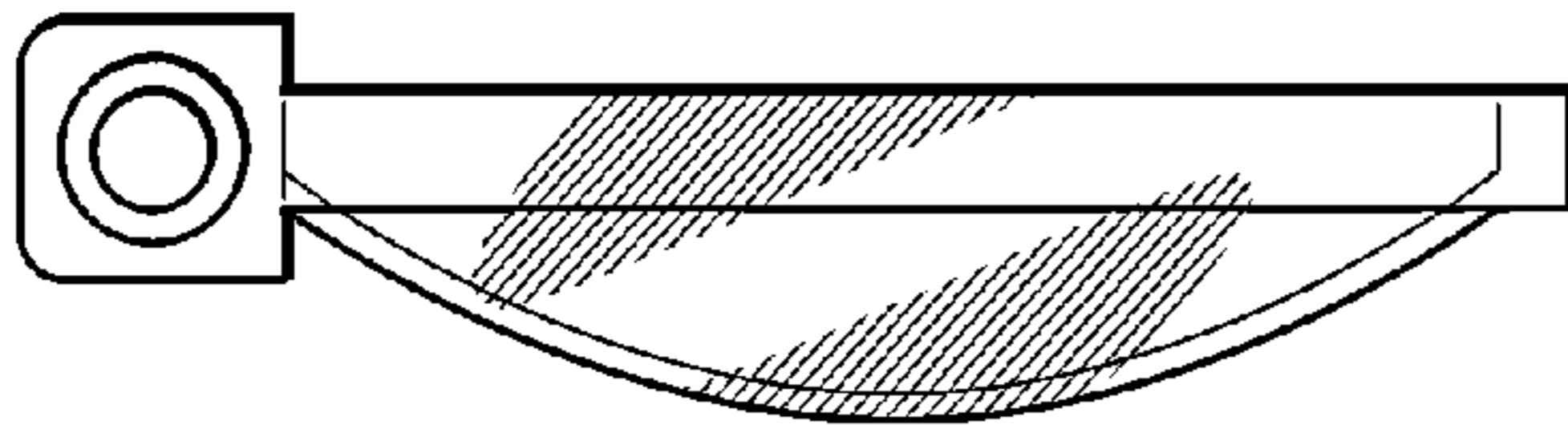


FIG. 18

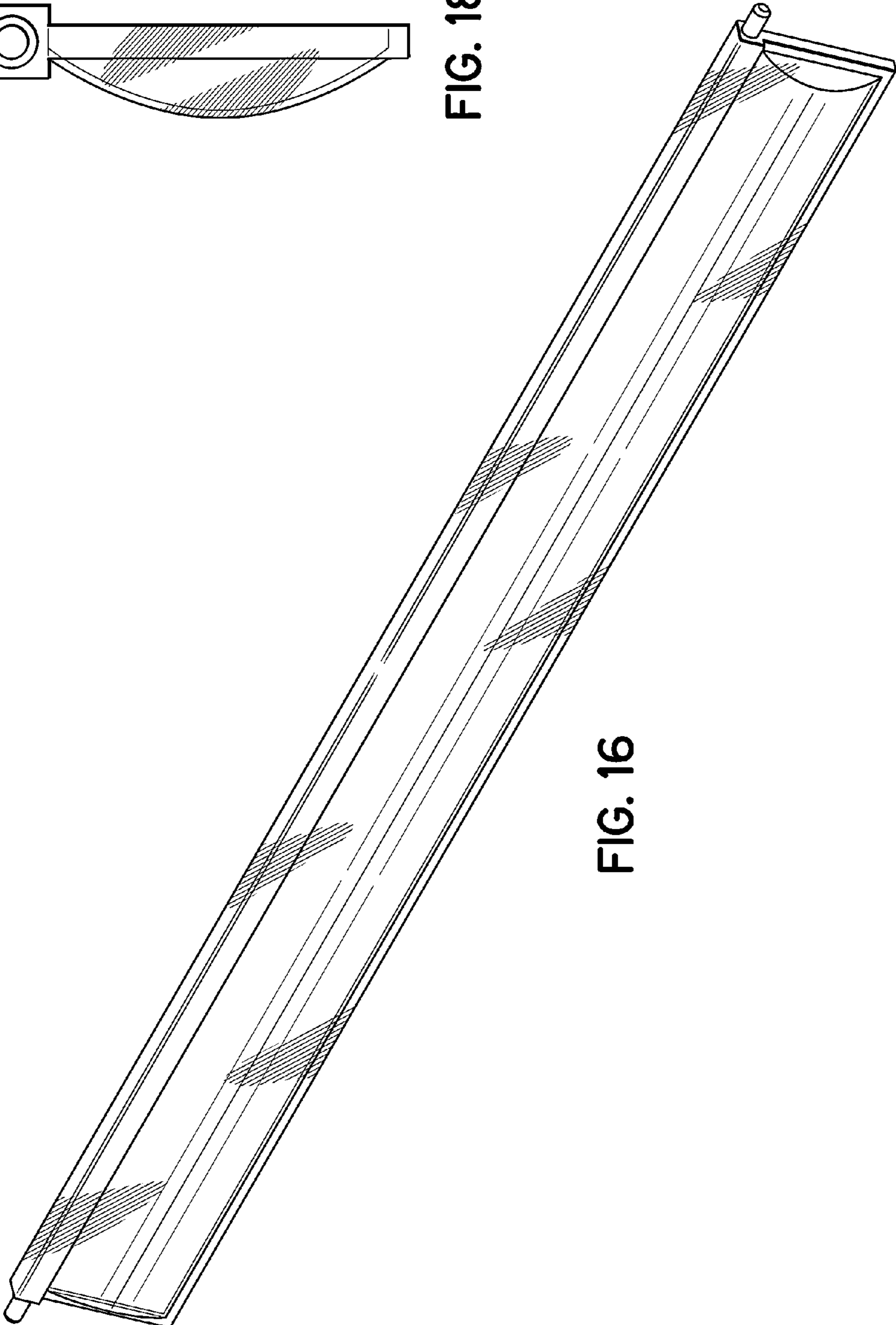


FIG. 16

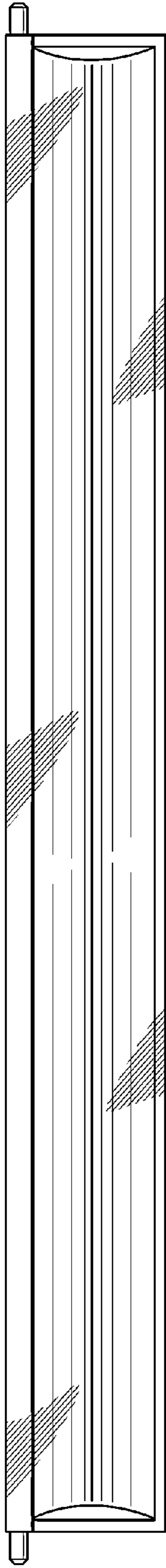


FIG. 17



FIG. 19

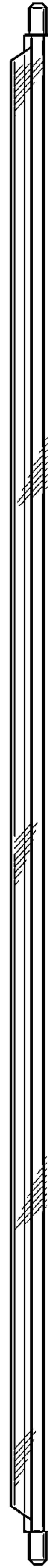


FIG. 20

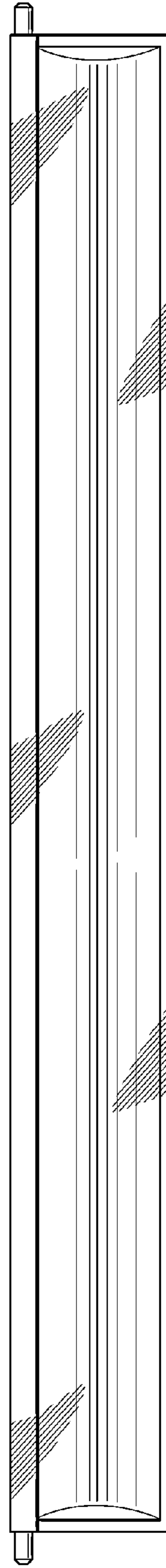


FIG. 21

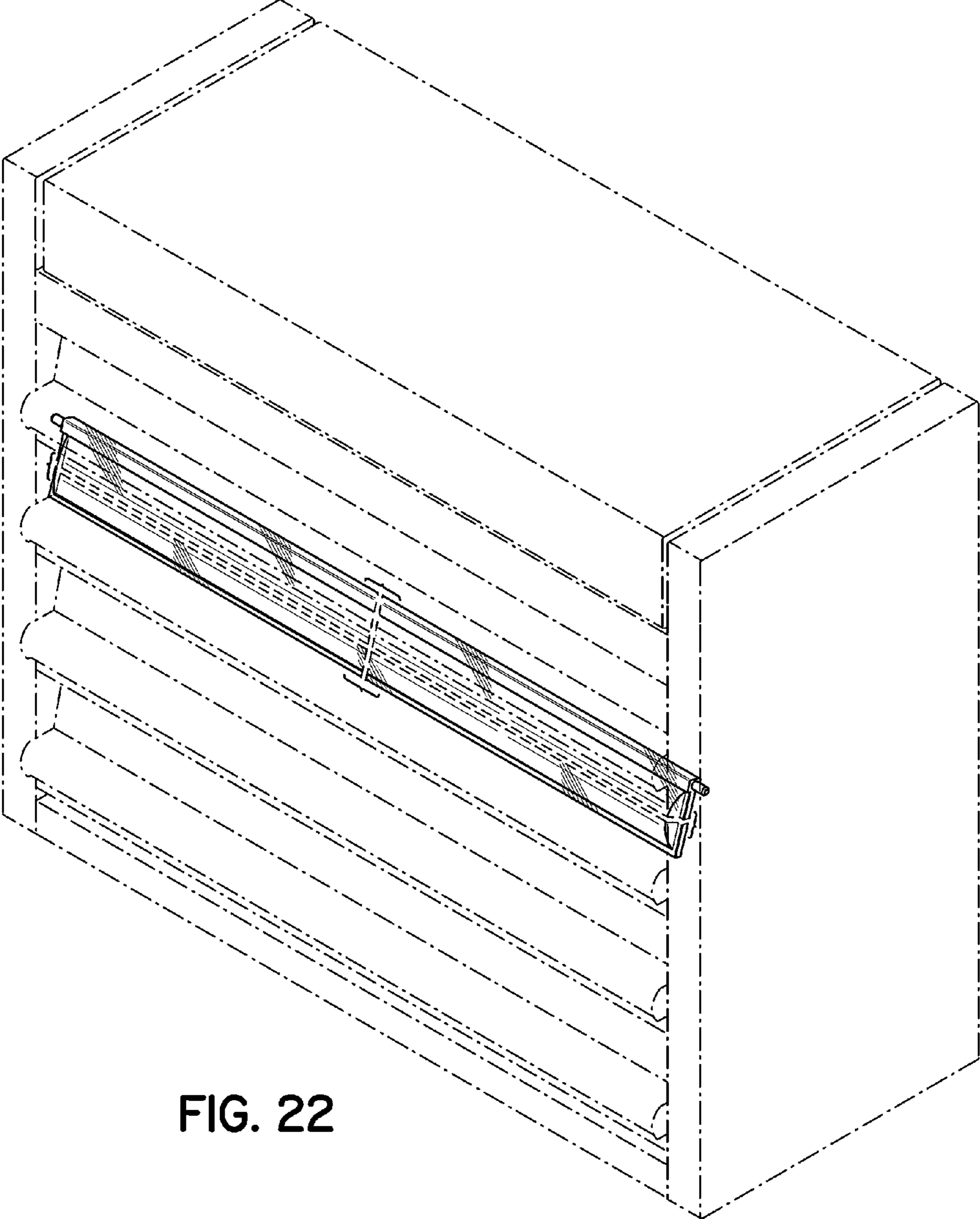


FIG. 22

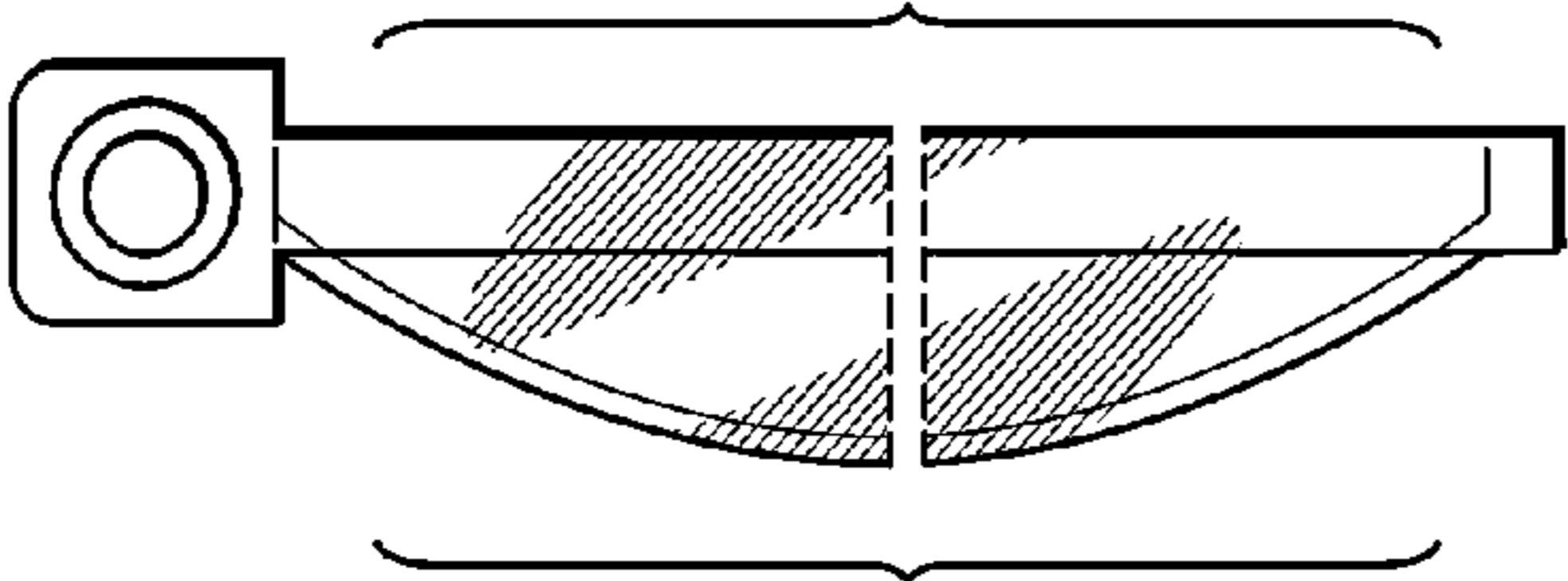


FIG. 25

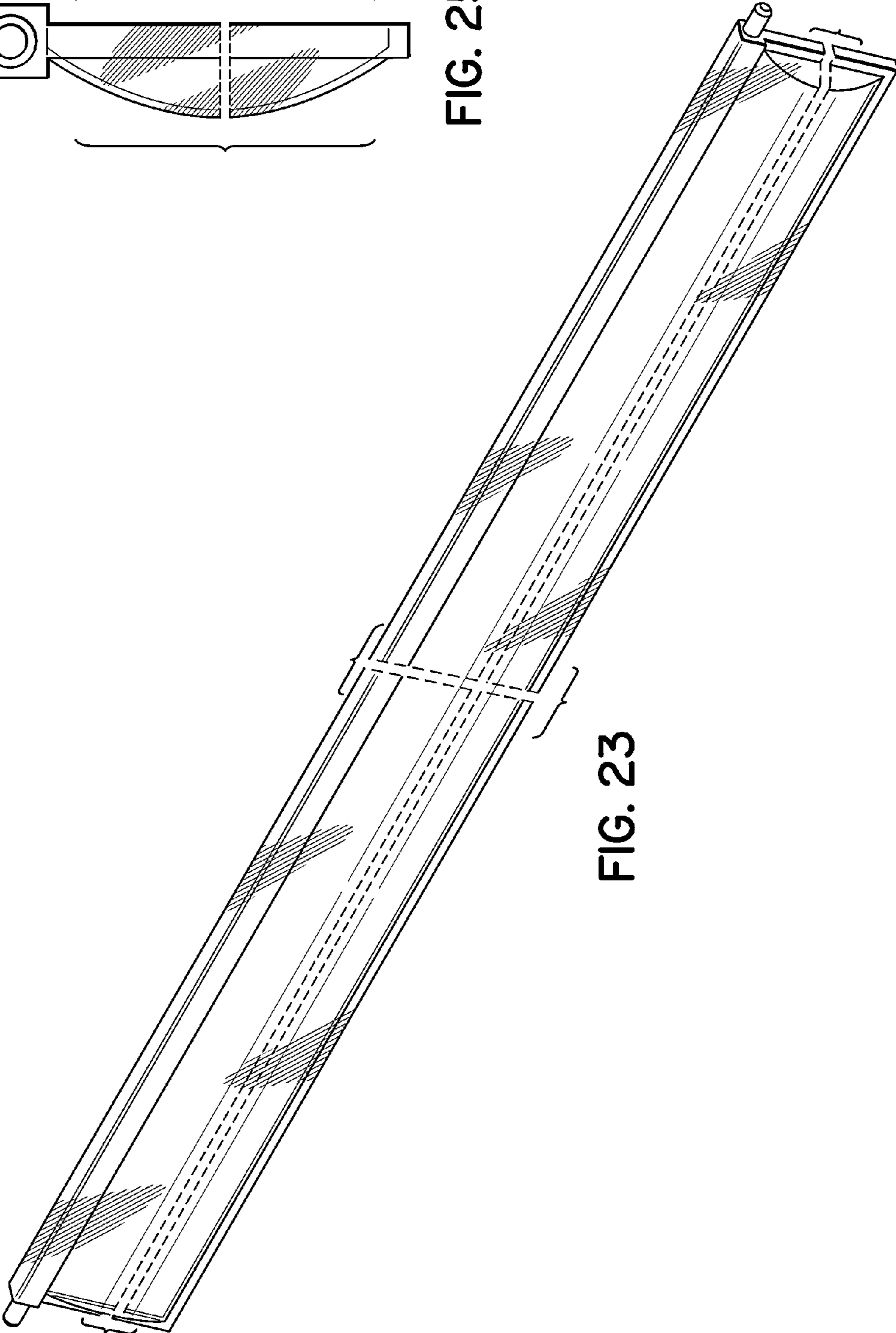


FIG. 23

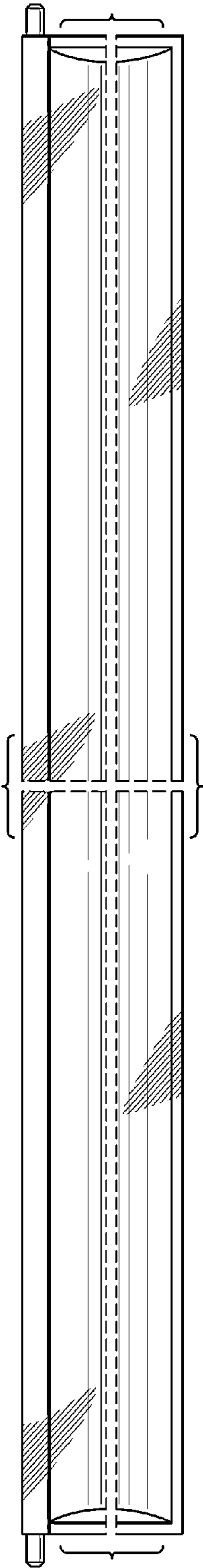


FIG. 24



FIG. 26



FIG. 27

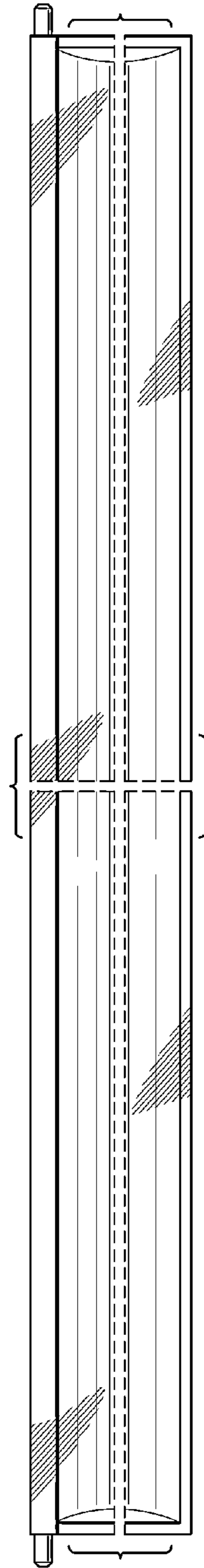


FIG. 28

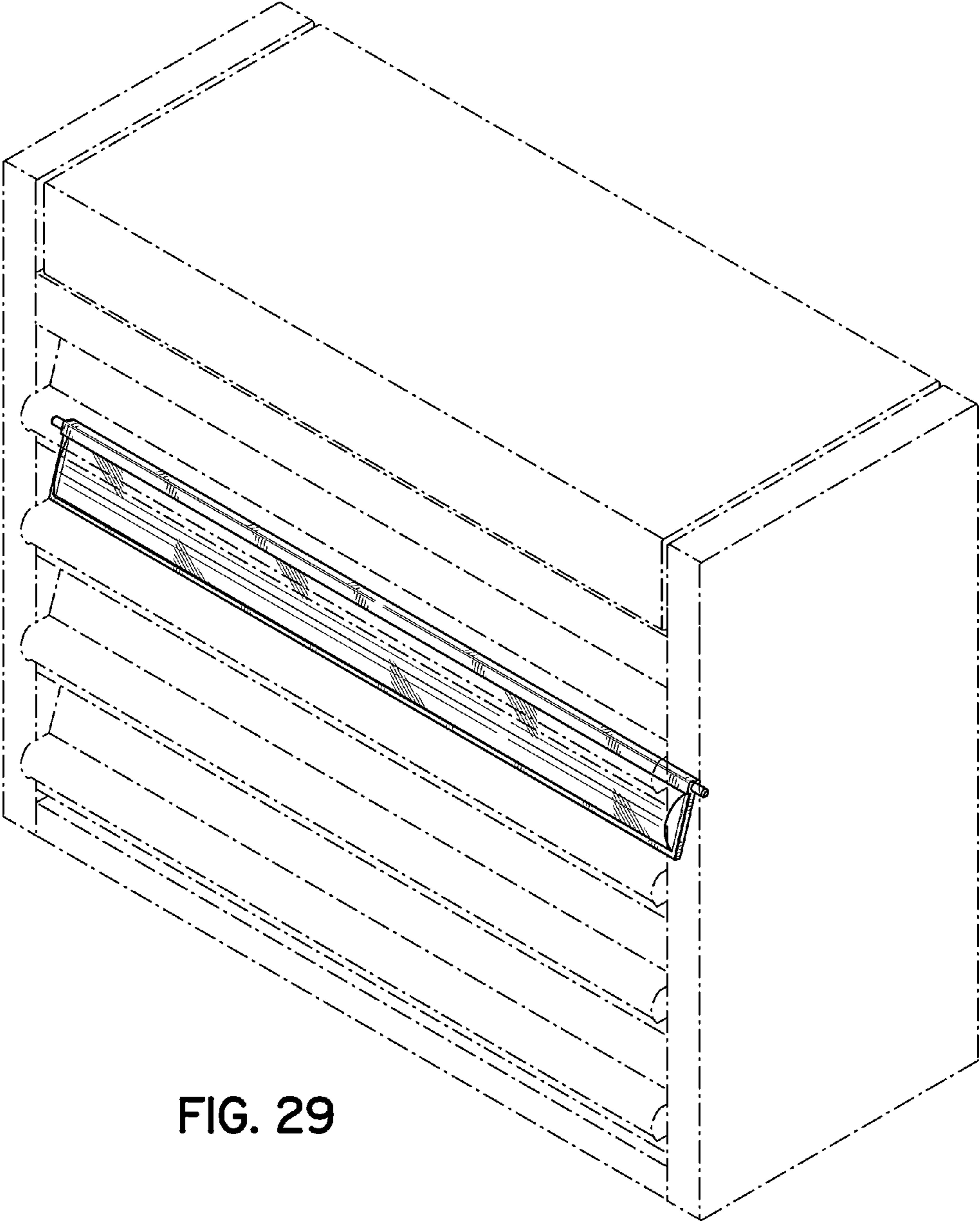


FIG. 29

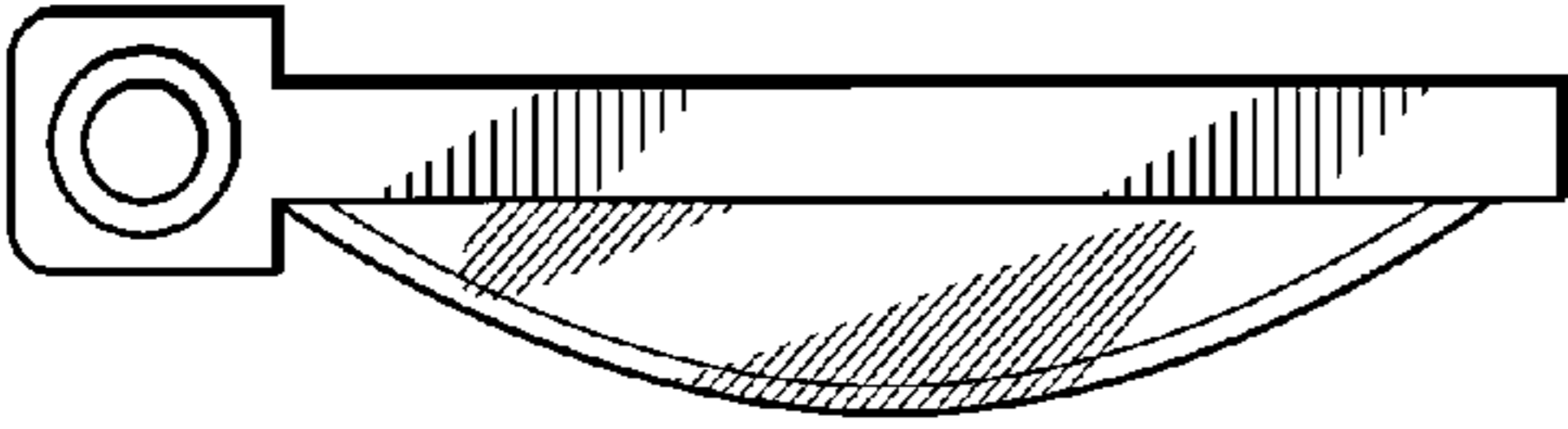


FIG. 32

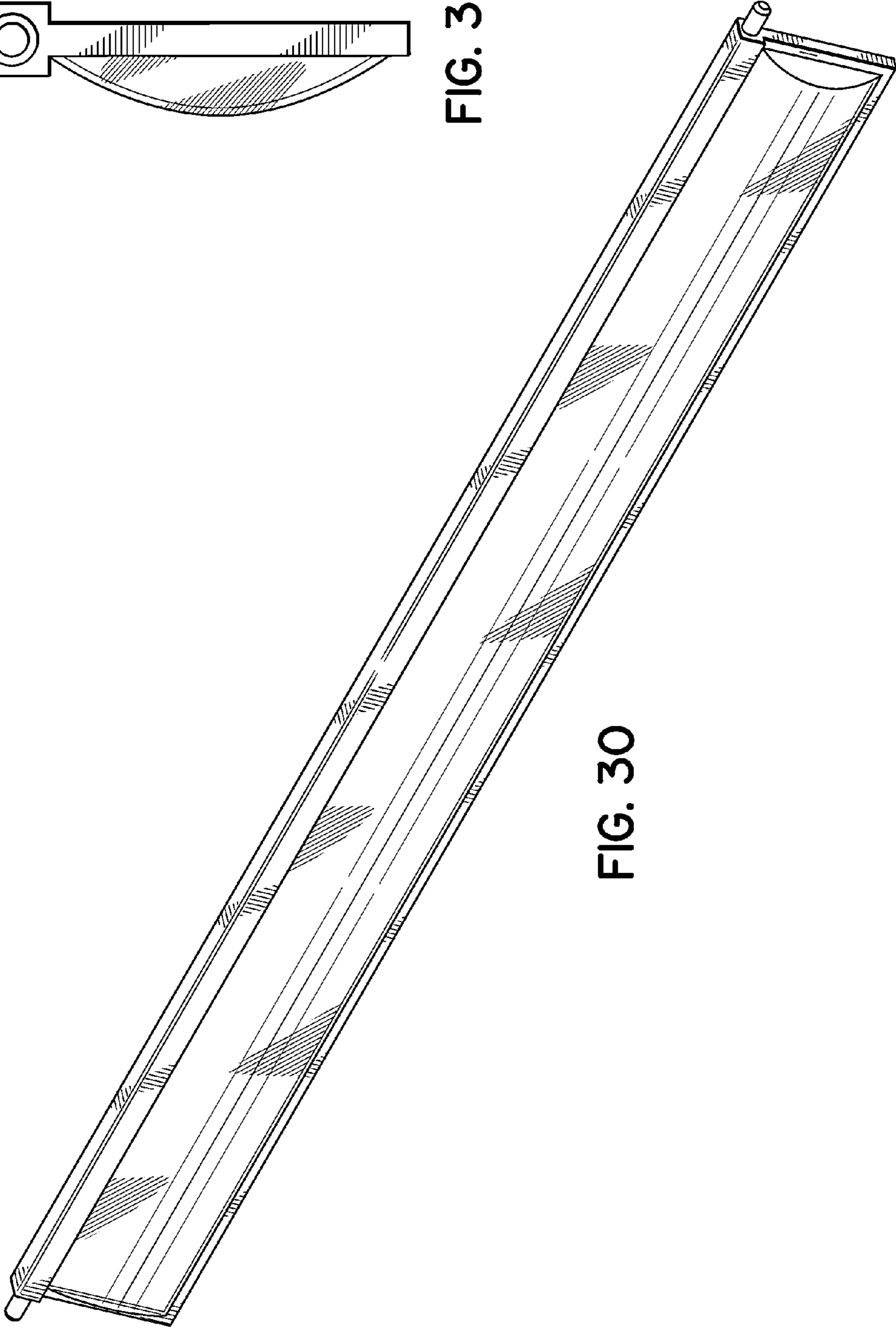


FIG. 30

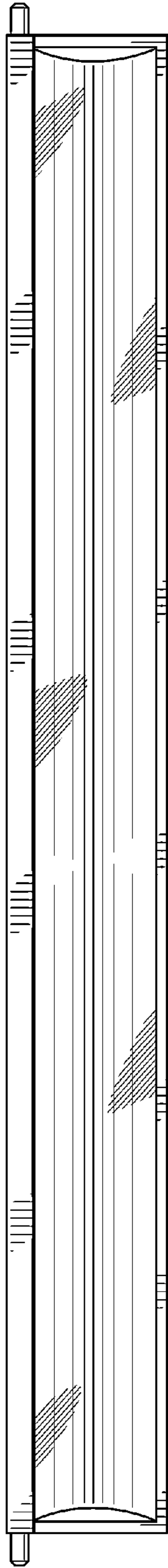


FIG. 31



FIG. 33



FIG. 34

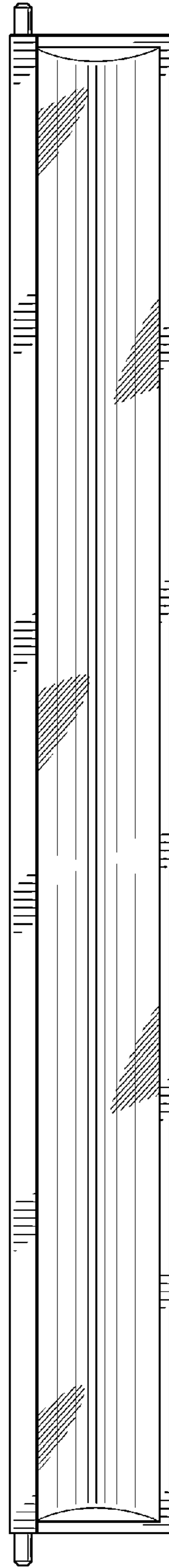


FIG. 35

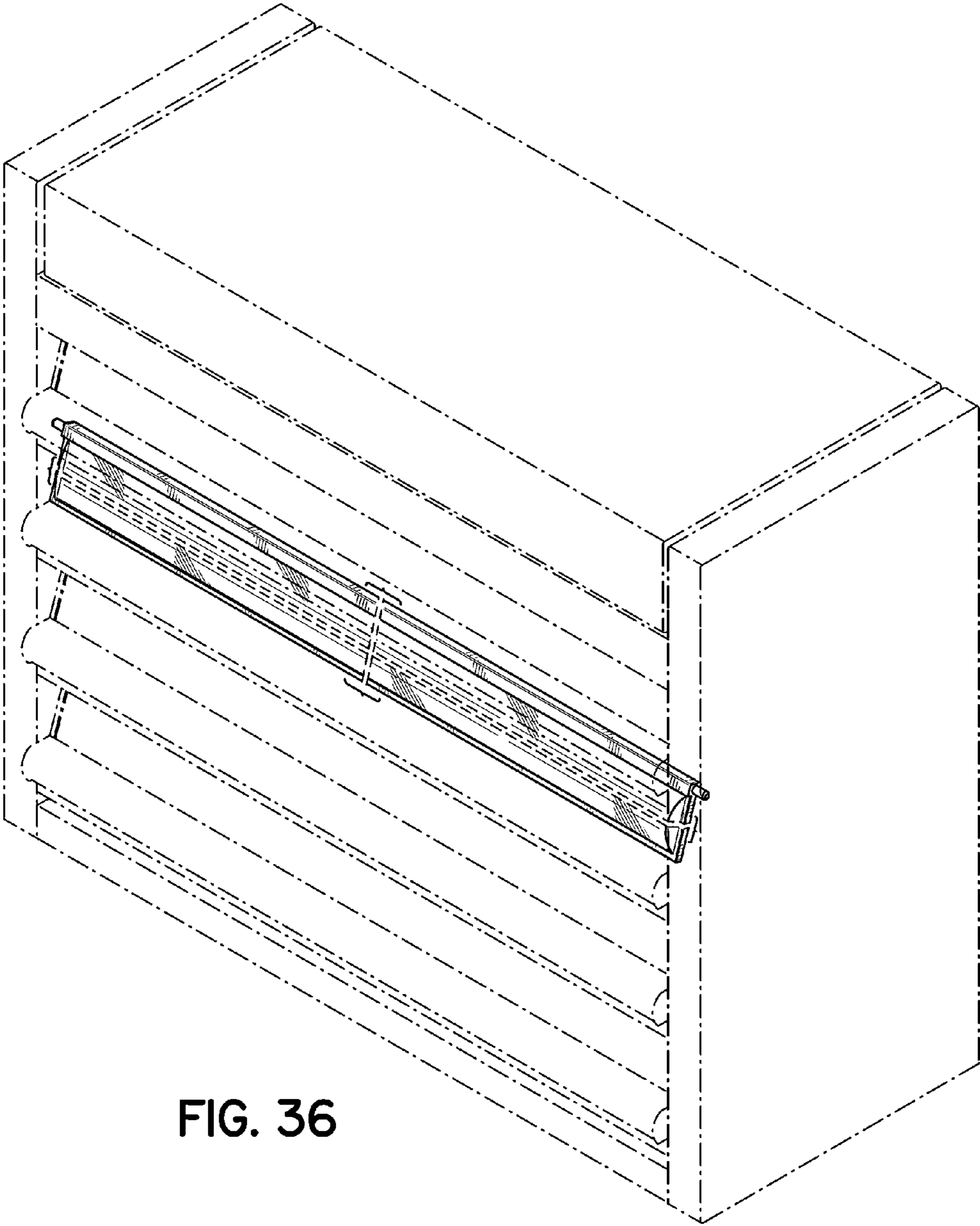


FIG. 36

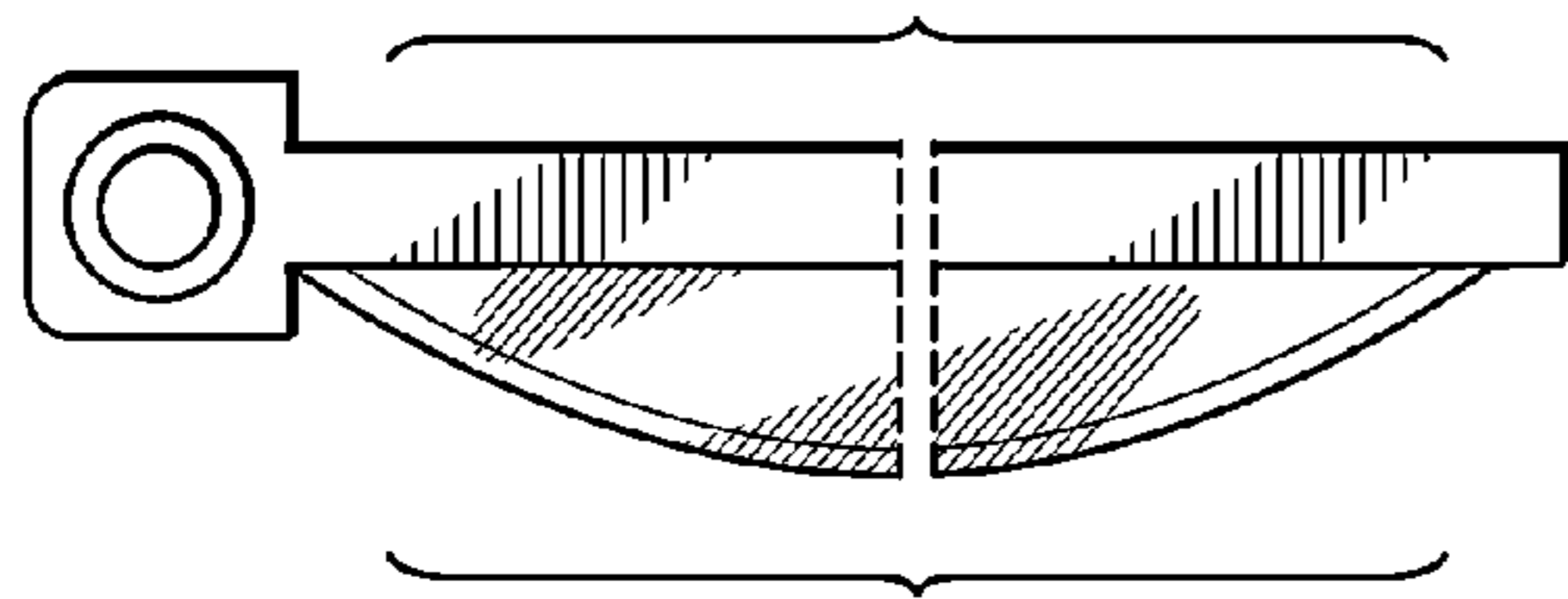


FIG. 39

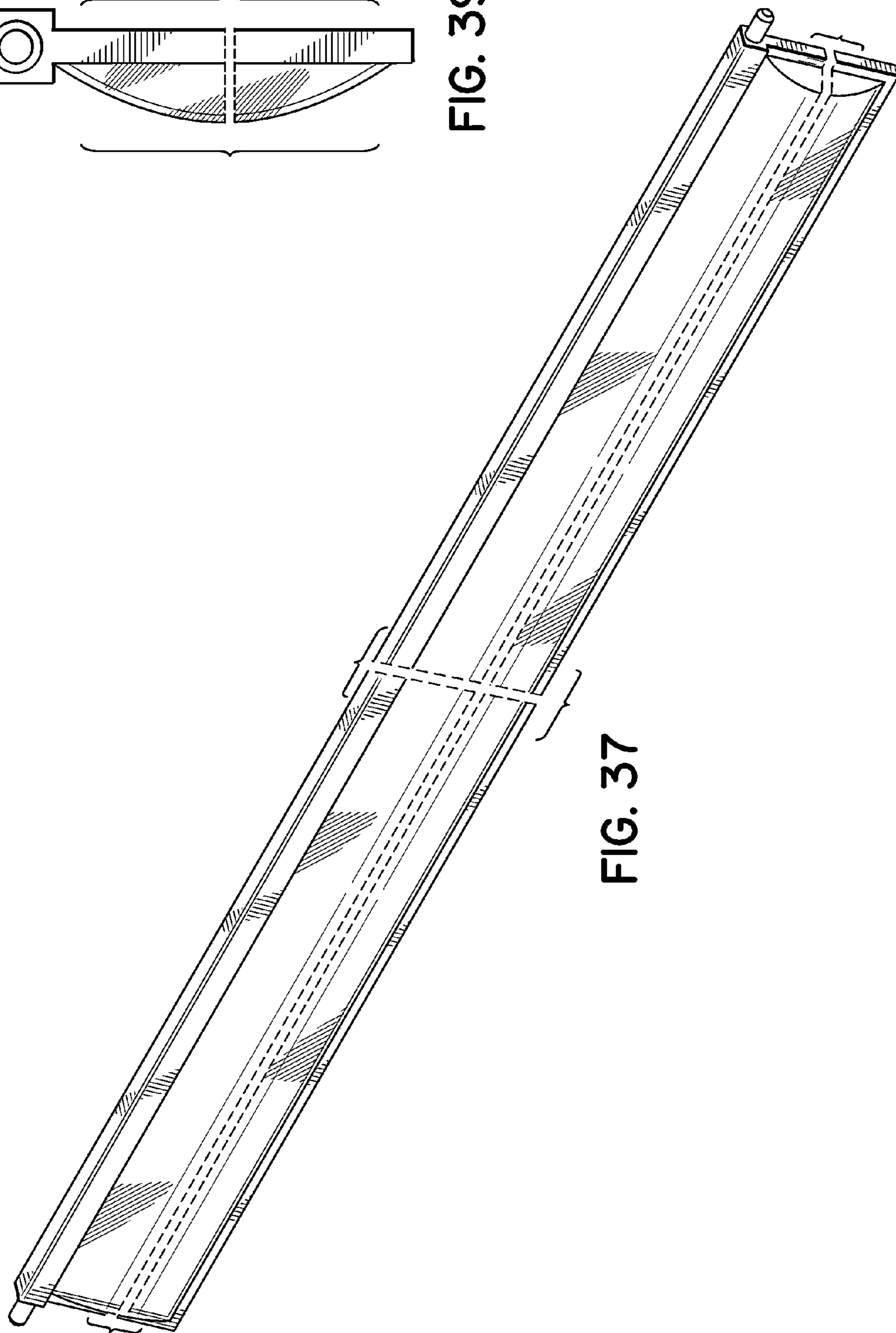


FIG. 37

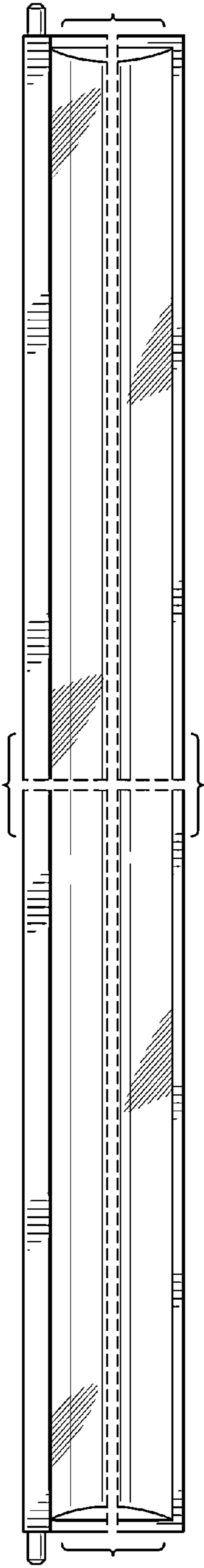


FIG. 38



FIG. 40



FIG. 41

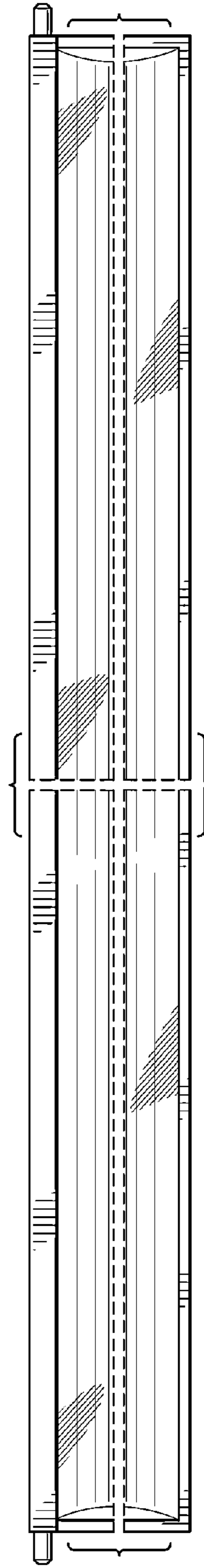


FIG. 42