



US00D743192S

(12) **United States Design Patent**
Davis et al.

(10) **Patent No.:** **US D743,192 S**
(45) **Date of Patent:** **** Nov. 17, 2015**

(54) **TABLE**

(71) Applicant: **Walker Edison Furniture Company, LLC**, Salt Lake City, UT (US)

(72) Inventors: **Matthew Davis**, Murray, UT (US); **Brad Bonham**, Draper, UT (US)

(73) Assignee: **WALKER EDISON FURNITURE COMPANY, LLC**, Salt Lake City, UT (US)

(**) Term: **14 Years**

(21) Appl. No.: **29/472,553**

(22) Filed: **Nov. 13, 2013**

(51) **LOC (10) Cl.** **06-03**

(52) **U.S. Cl.**
USPC **D6/691.5**

(58) **Field of Classification Search**
USPC D6/691, 691.5, 691.8, 707.19, 656.16
CPC A47B 7/00; A47B 2021/11; A47B 13/00;
A47B 13/02; A47B 13/04; A47B 91/00;
A47B 2200/002; A47B 2200/0031
See application file for complete search history.

(56) **References Cited**

U.S. PATENT DOCUMENTS

D142,850 S * 11/1945 Geffner D6/397
D293,181 S * 12/1987 Solaro D6/484
D332,364 S * 1/1993 Bennett D6/487

* cited by examiner

Primary Examiner — Janice Seeger

(74) *Attorney, Agent, or Firm* — Workman Nydegger

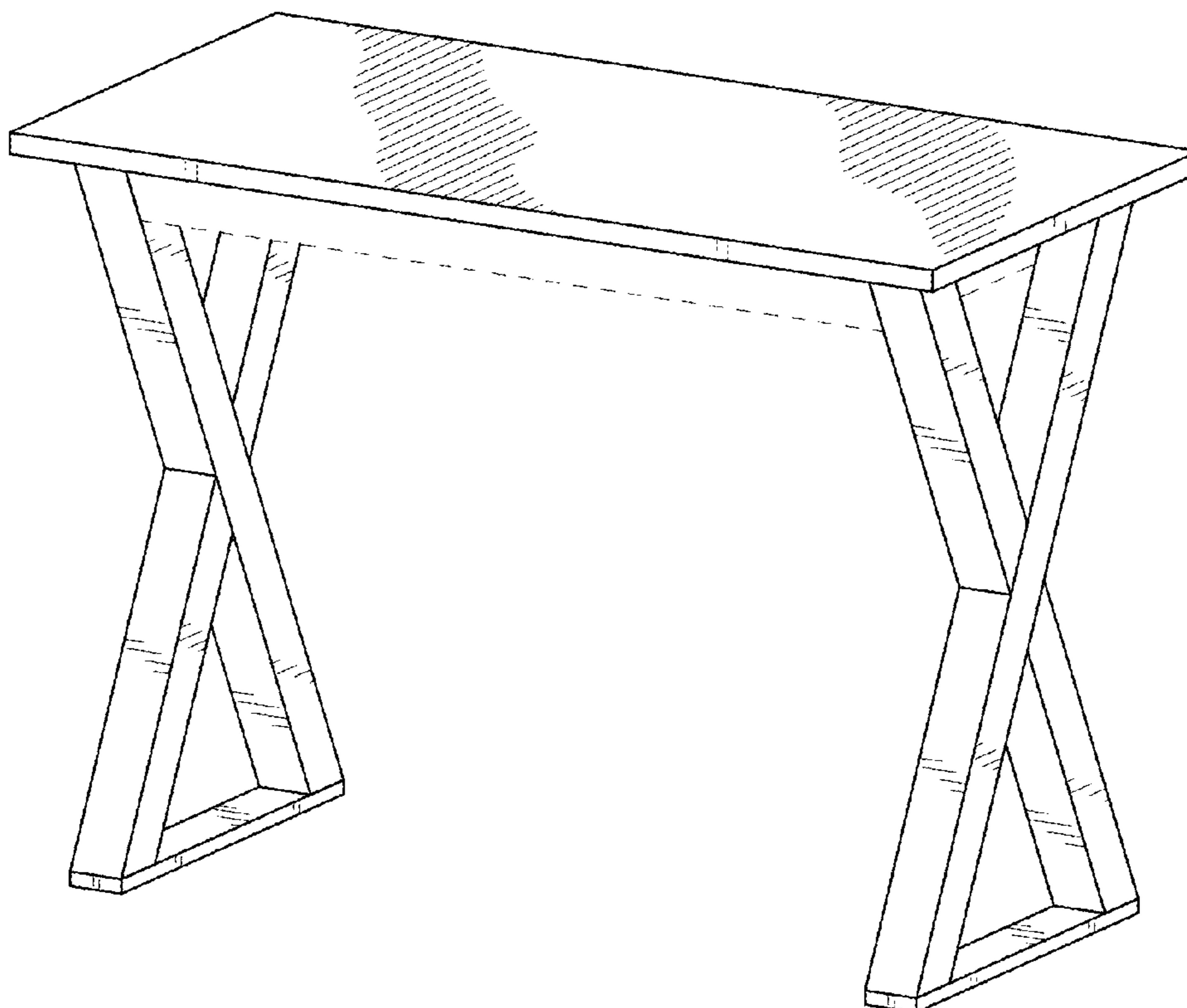
(57) **CLAIM**

The ornamental design for a table, as shown and described.

DESCRIPTION

FIG. 1 is a perspective view of a table;
FIG. 2 is a front perspective view thereof;
FIG. 3 is a back perspective view thereof;
FIG. 4 is an end perspective view thereof;
FIG. 5 is a perspective view of the other end thereof;
FIG. 6 is a top perspective view thereof; and,
FIG. 7 is a bottom perspective view thereof.
The broken lines showing environment in the drawings are included for illustrative purposes only and form no part of the claimed design.

1 Claim, 4 Drawing Sheets



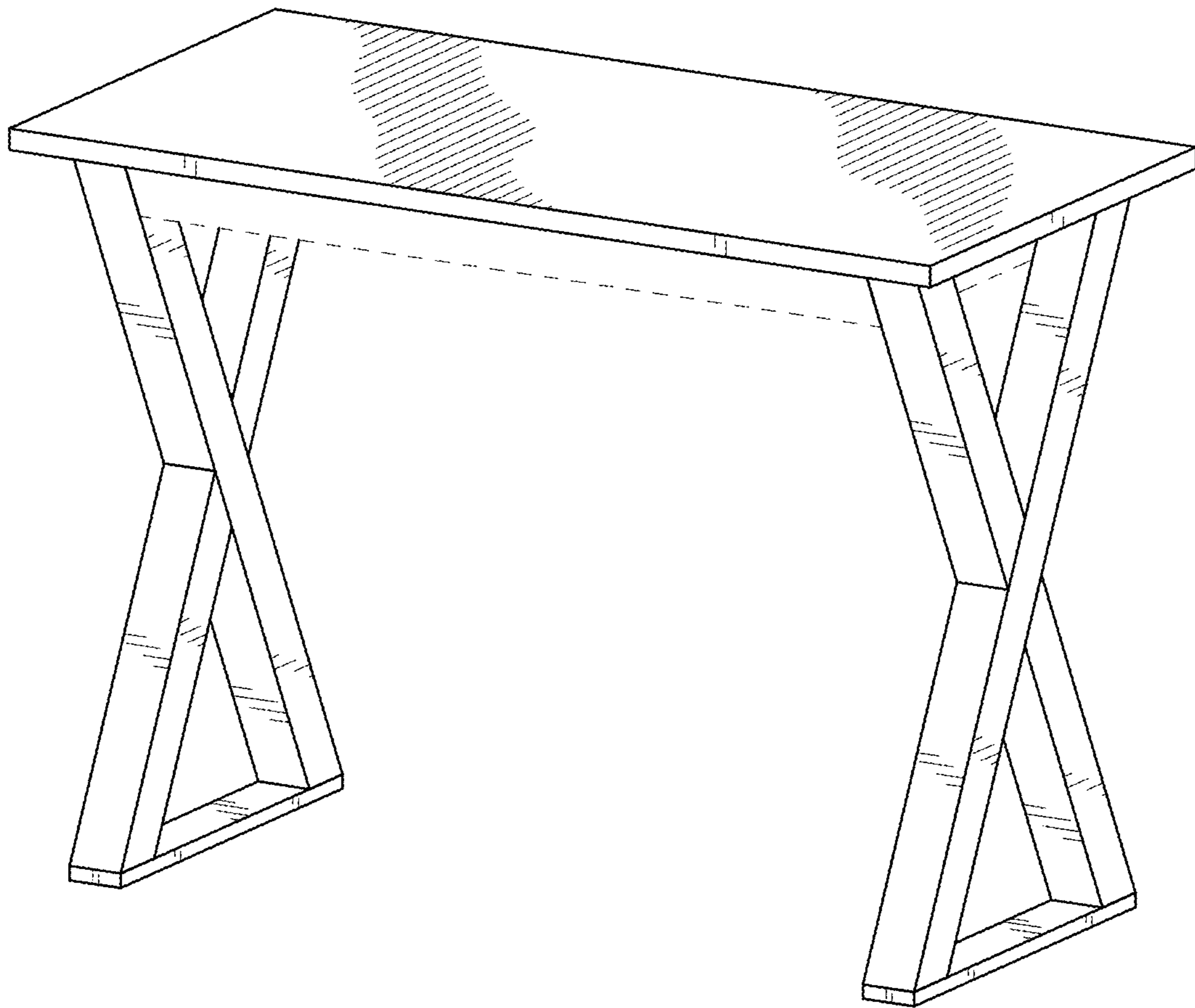


FIG. 1

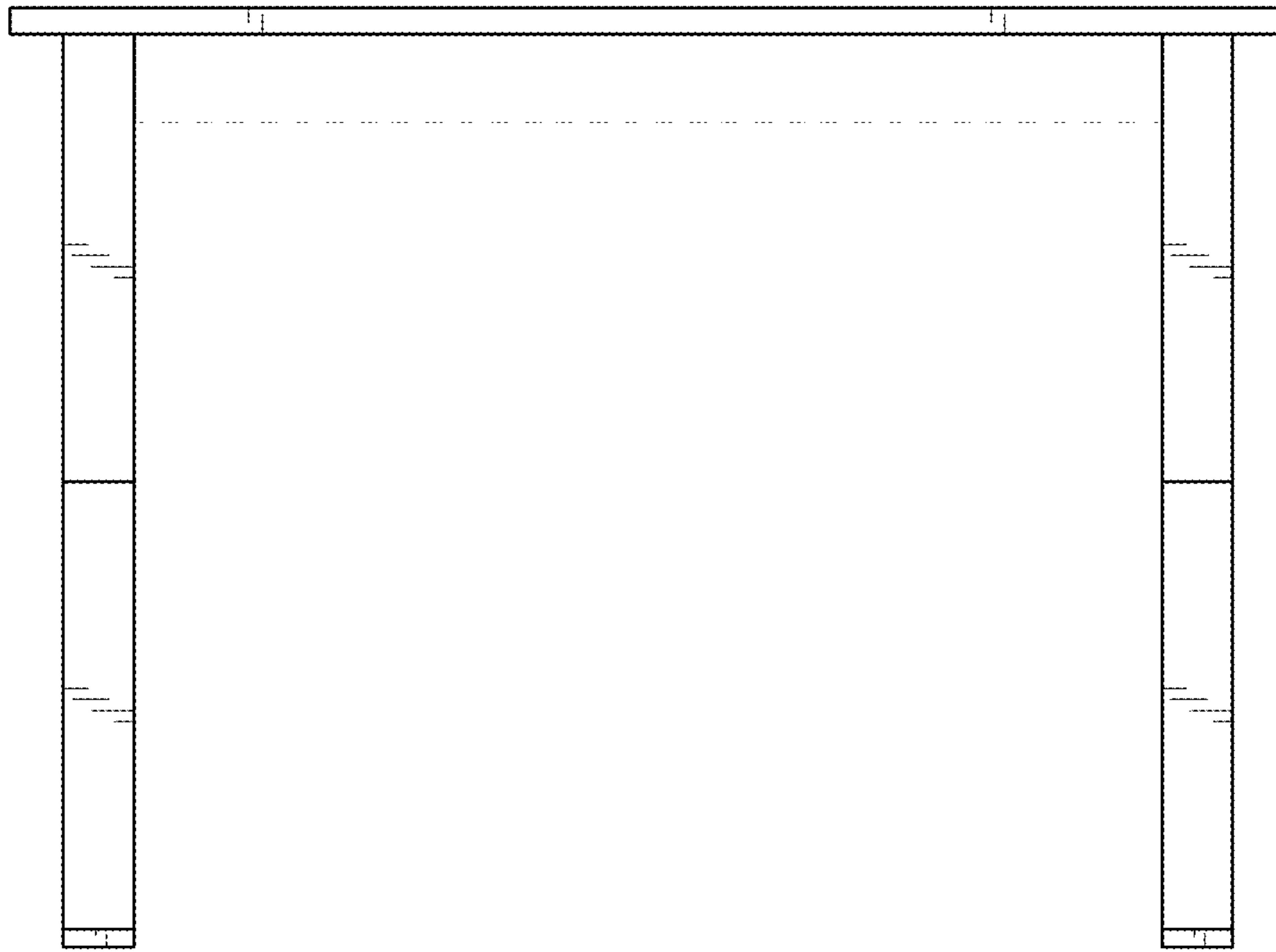


FIG. 2

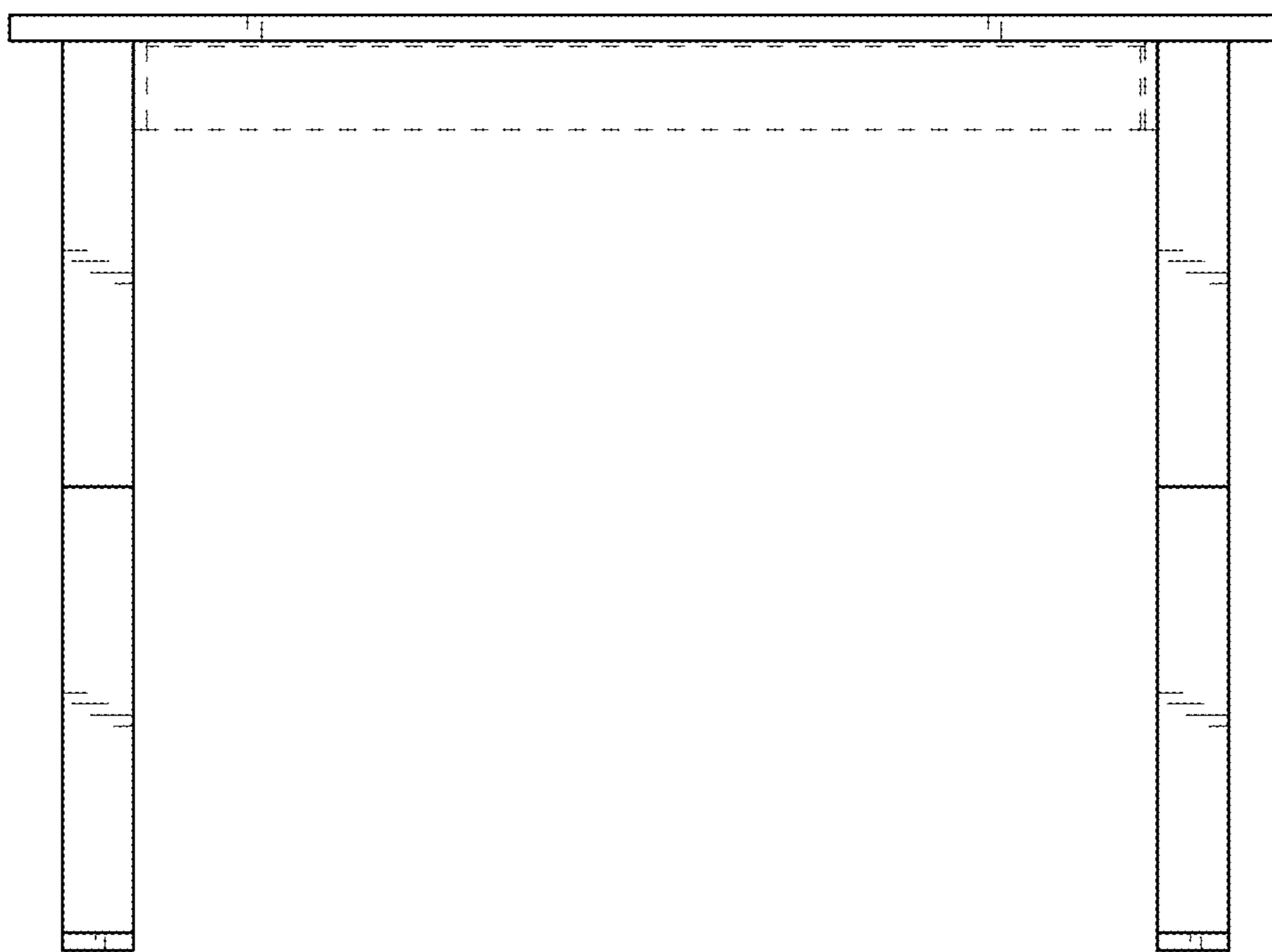


FIG. 3

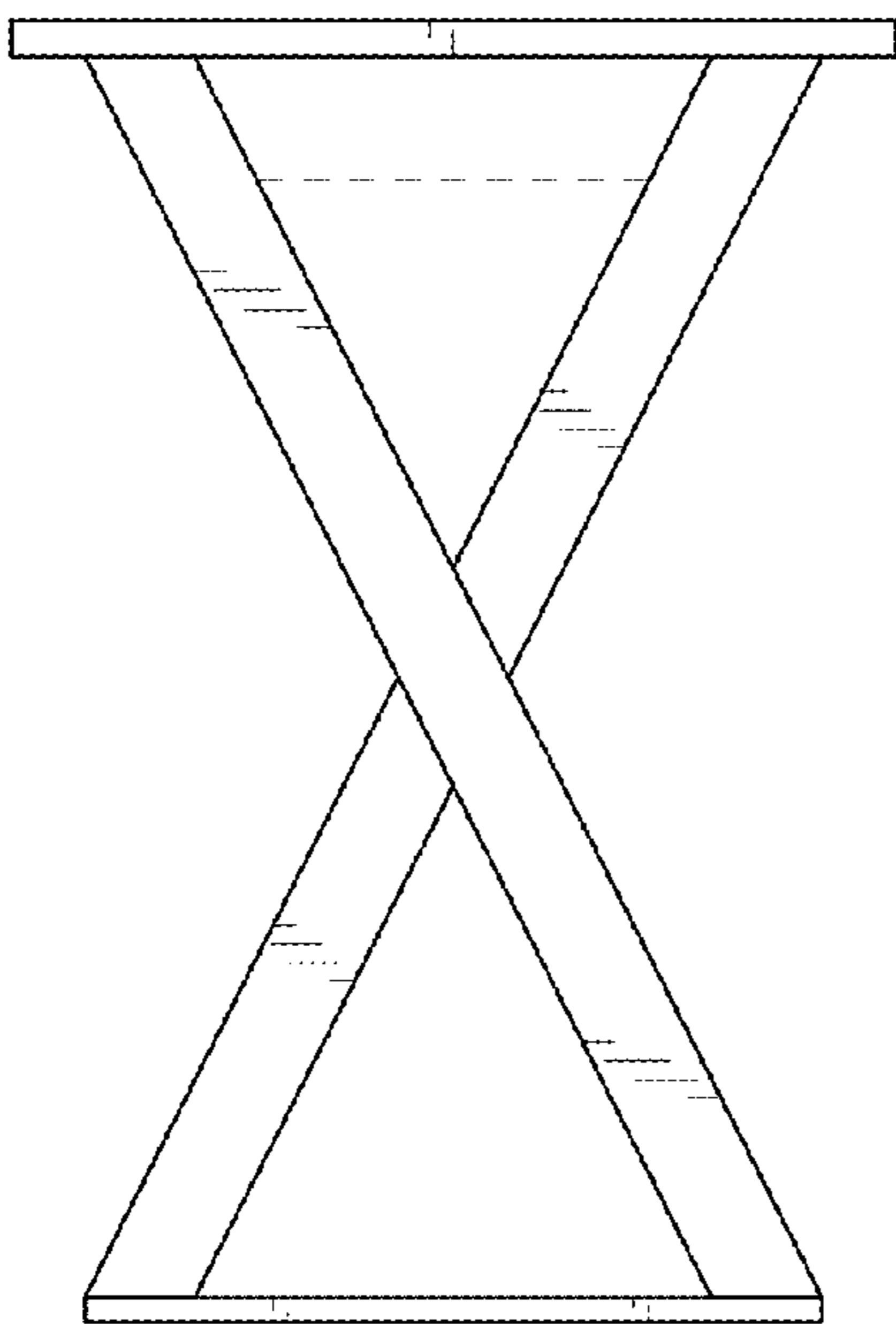


FIG. 4

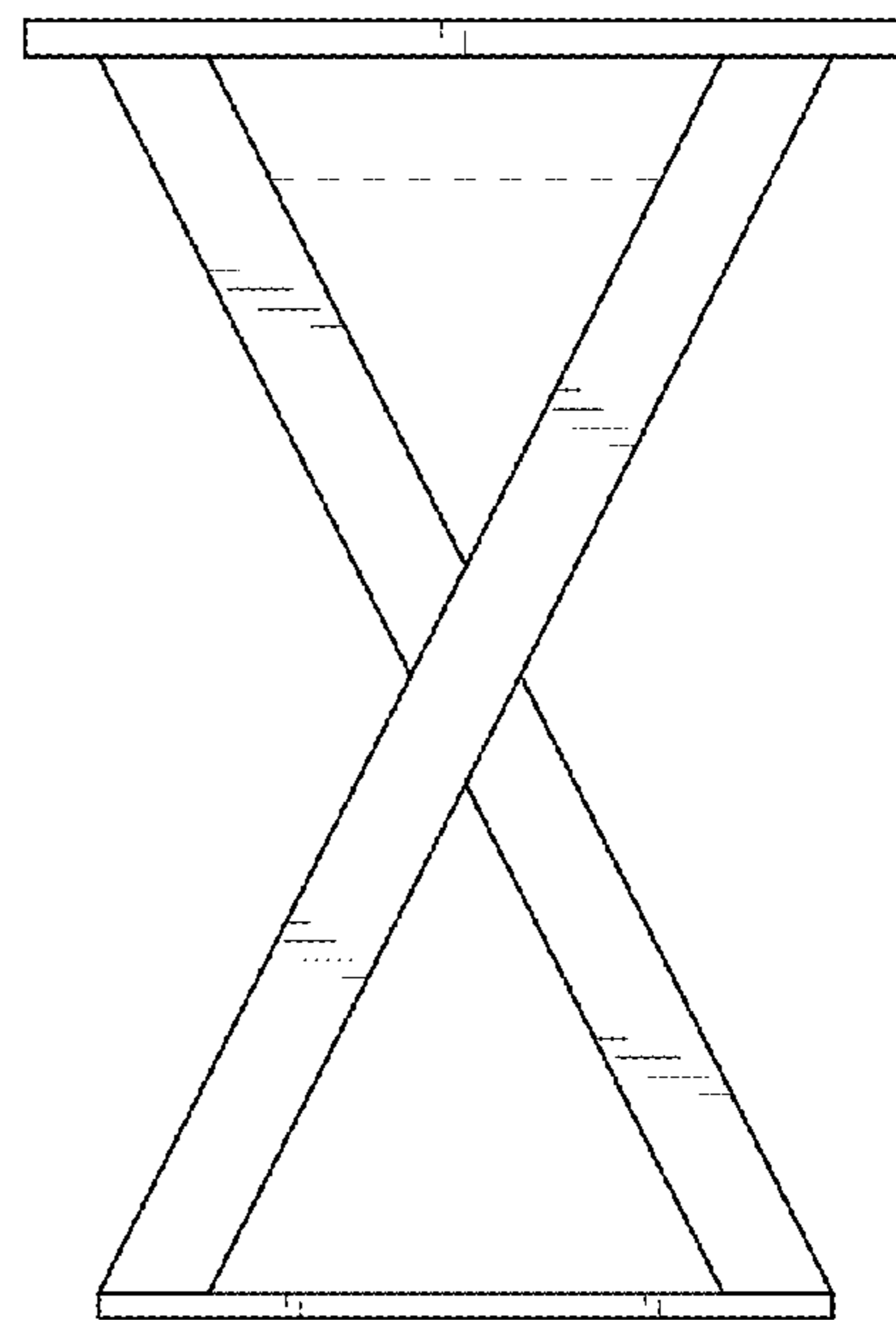


FIG. 5

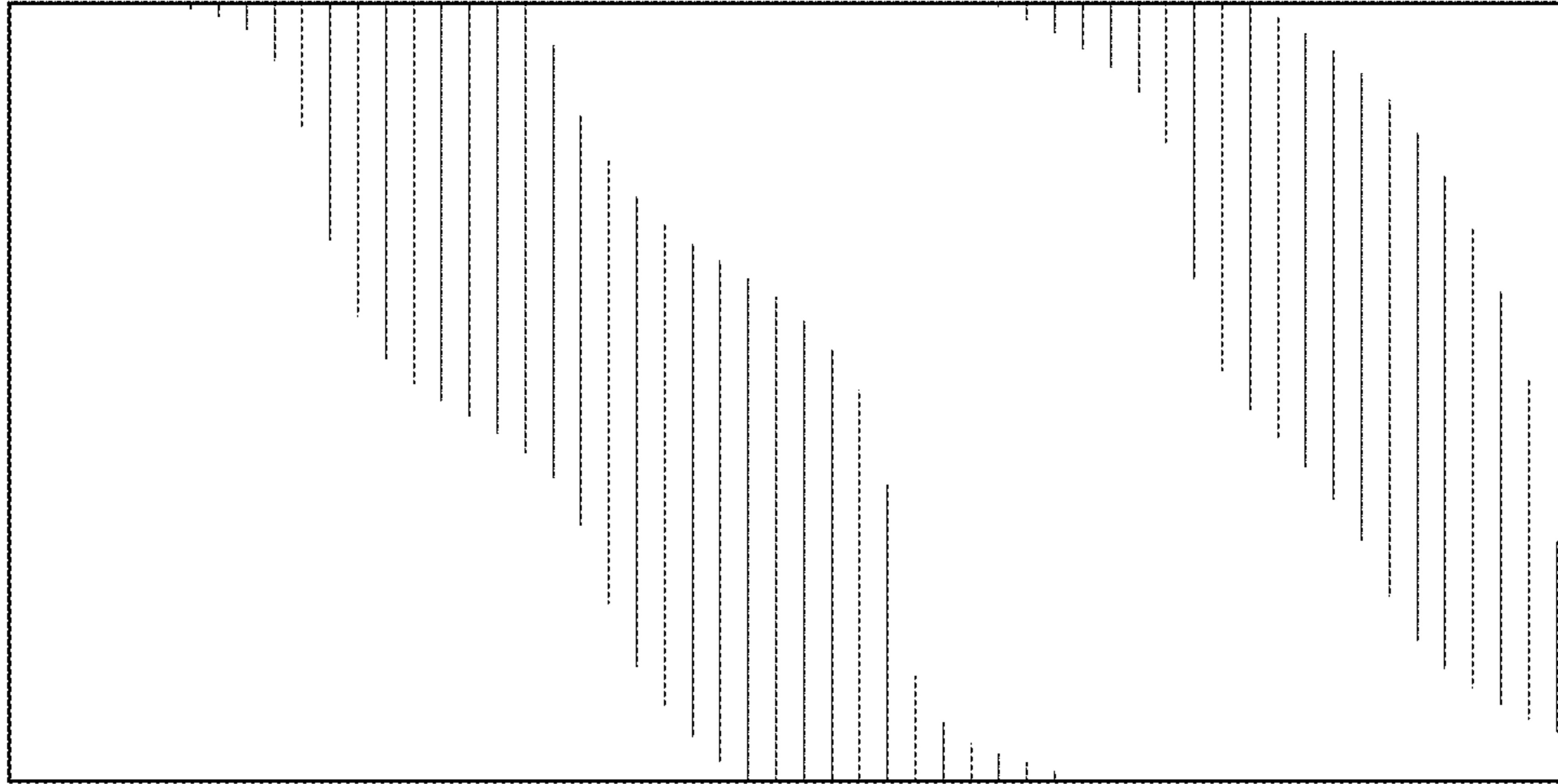


FIG. 6

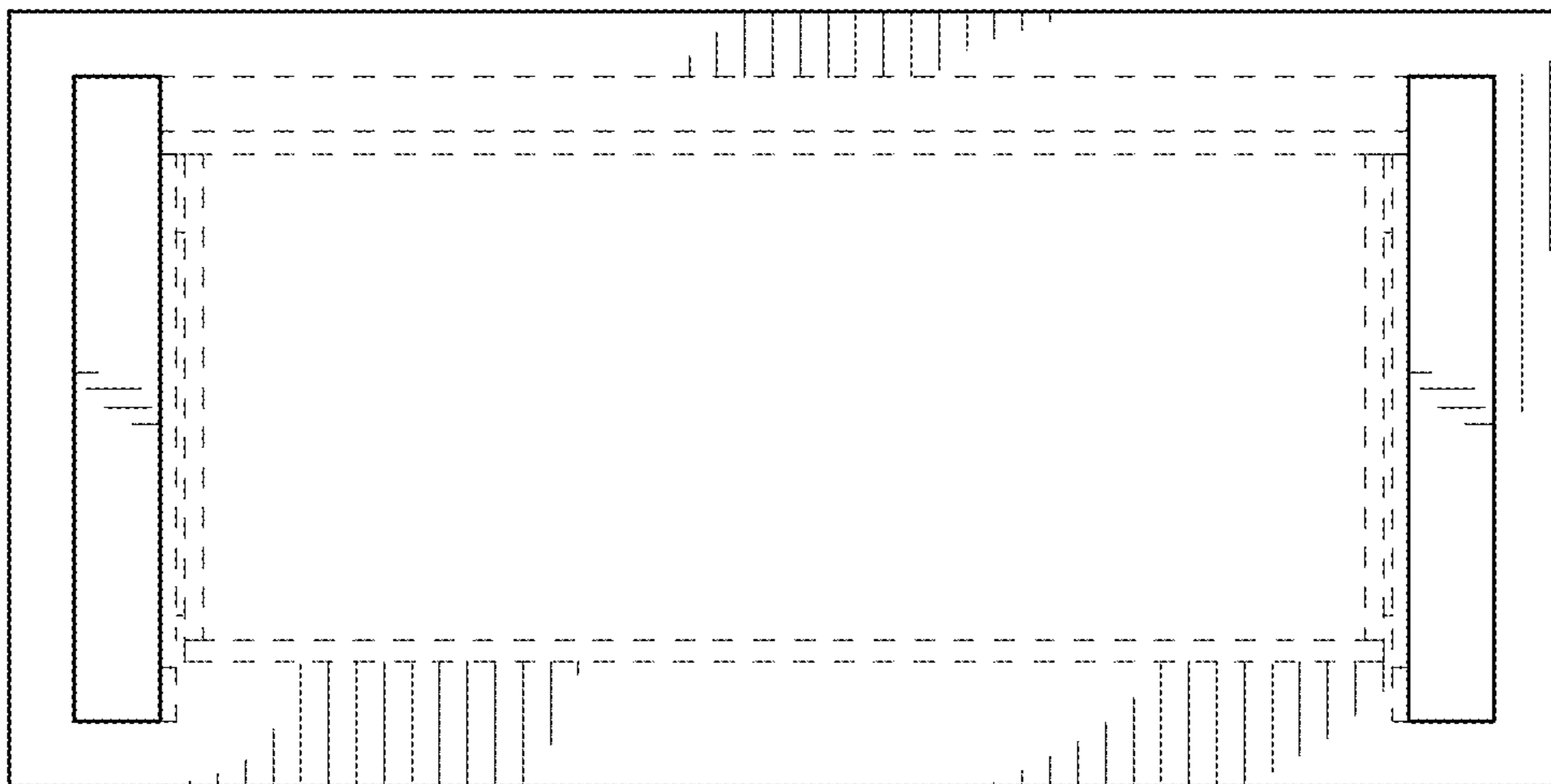


FIG. 7