



US00D743189S

(12) **United States Design Patent**  
**Hecht et al.**

(10) **Patent No.:** **US D743,189 S**  
(45) **Date of Patent:** **\*\* Nov. 17, 2015**

(54) **WORKSTATION**

FOREIGN PATENT DOCUMENTS

(71) Applicant: **Herman Miller, Inc.**, Zeeland, MI (US)

DE 299 09 558 U1 1/2000  
EP 1 945 062 B1 12/2010  
FR 2 854 556 A1 11/2004

(72) Inventors: **Sam Hecht**, London (GB); **Kimberlee Colin**, London (GB); **Philipp Von Lintel**, London (GB); **Ippei Matsumoto**, London (GB)

*Primary Examiner* — Janice Seeger

(74) *Attorney, Agent, or Firm* — Michael Best & Friedrich LLP

(73) Assignee: **Herman Miller, Inc.**, Zeeland, MI (US)

(57) **CLAIM**

The ornamental design for a workstation, as shown and described.

(\*\*) Term: **14 Years**

(21) Appl. No.: **29/449,948**

**DESCRIPTION**

(22) Filed: **Mar. 15, 2013**

(51) **LOC (10) Cl.** ..... **06-03**

(52) **U.S. Cl.**  
USPC ..... **D6/656.15**

(58) **Field of Classification Search**  
USPC ..... D6/641, 650, 656, 656.15, 692, 692.3  
CPC ..... A47B 9/00; A47B 9/04; A47B 21/00;  
A47B 21/02; A47B 2200/0066  
See application file for complete search history.

FIG. 1 shows a perspective view of a first embodiment of a workstation;

FIG. 2 shows a top view of the workstation of FIG. 1;

FIG. 3 shows a bottom view of the workstation of FIG. 1;

FIG. 4 shows a front view of the workstation of FIG. 1;

FIG. 5 shows a rear view of the workstation of FIG. 1;

FIG. 6 shows a right side view of the workstation of FIG. 1;

FIG. 7 shows a left side view of the workstation of FIG. 1;

FIG. 8 shows a perspective view of a second embodiment of a workstation;

FIG. 9 shows a top view of the workstation of FIG. 8;

FIG. 10 shows a bottom view of the workstation of FIG. 8;

FIG. 11 shows a front view of the workstation of FIG. 8;

FIG. 12 shows a rear view of the workstation of FIG. 8;

FIG. 13 shows a right side view of the workstation of FIG. 8; and,

FIG. 14 shows a left side view of the workstation of FIG. 8.

Any broken lines in FIGS. 1-14 are for environmental purposes only and form no part of the claimed designs. The ornamental designs which are claimed are shown in solid lines in the drawings.

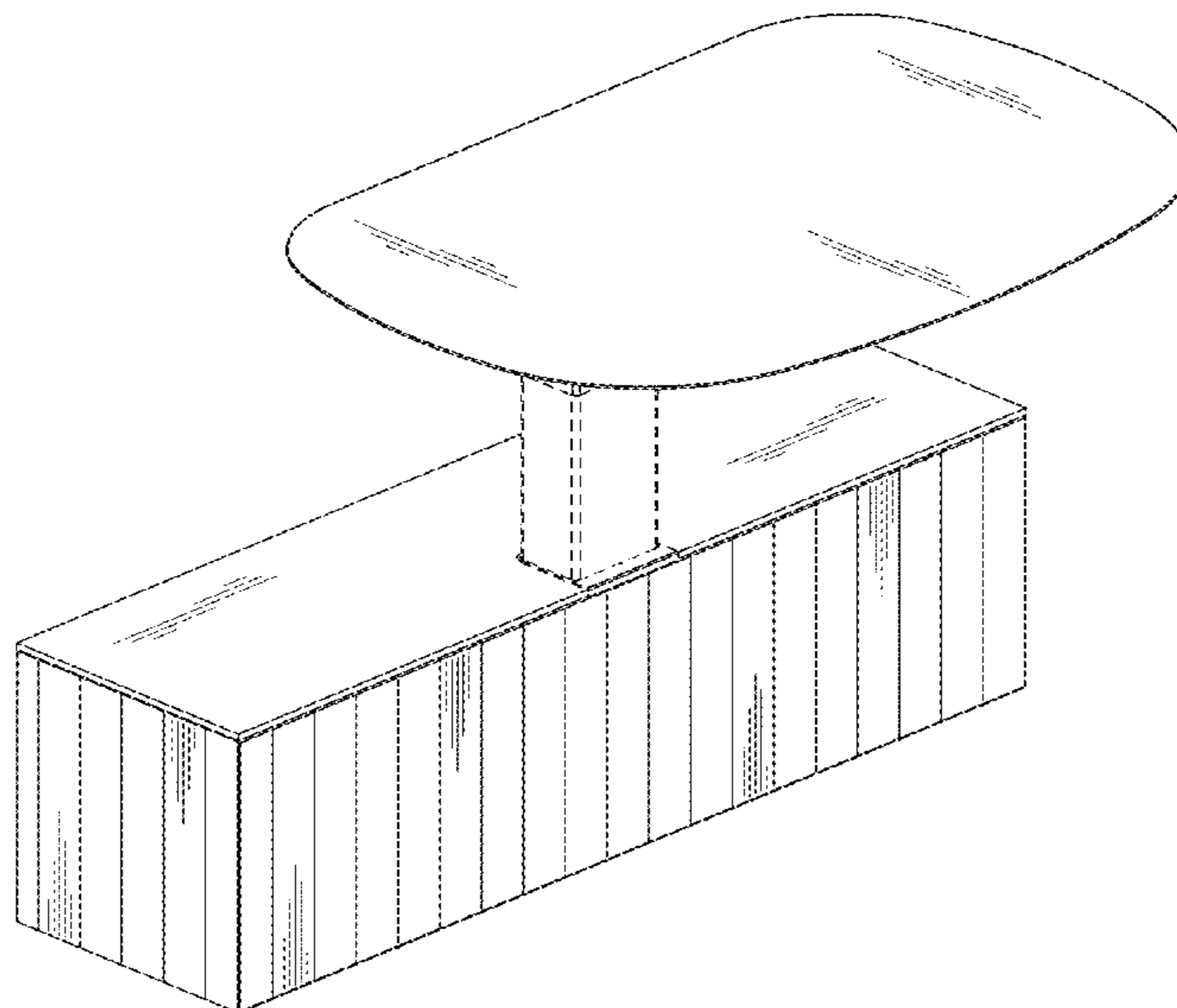
(56) **References Cited**

U.S. PATENT DOCUMENTS

3,883,202 A	5/1975	Konig	
3,908,565 A	9/1975	Burnett	
3,961,822 A	6/1976	Daniel	
4,067,631 A	1/1978	Kelley	
4,190,002 A	2/1980	Redemann	
D254,825 S *	4/1980	Crespi	..... D6/692.3
4,224,769 A	9/1980	Ball et al.	
4,258,963 A	3/1981	Fusselman et al.	
4,287,835 A	9/1981	Stratton	

(Continued)

**1 Claim, 8 Drawing Sheets**



(56)

References Cited

U.S. PATENT DOCUMENTS

4,751,884	A	6/1988	Ball	6,546,880	B2	4/2003	Agee	
4,870,908	A	10/1989	Wolters et al.	6,615,744	B1	9/2003	Eckstein et al.	
4,969,698	A	11/1990	Maynard et al.	6,644,748	B2	11/2003	Tholkes et al.	
5,039,054	A	8/1991	Pai	6,769,747	B2	8/2004	Chan et al.	
5,129,715	A	7/1992	Maynard, Jr.	6,874,431	B1	4/2005	Danna	
5,174,223	A	12/1992	Nagy et al.	6,935,247	B2	8/2005	Schaefers et al.	
5,255,966	A	10/1993	Newhouse et al.	7,377,078	B2	5/2008	Golino et al.	
5,259,326	A	11/1993	Borgman et al.	D594,255	S *	6/2009	Iwamuro .....	D6/642
5,289,782	A	3/1994	Rizzi et al.	7,658,153	B1	2/2010	Patoka	
5,290,099	A	3/1994	Lechman	D619,389	S *	7/2010	Mead et al. ....	D6/641
5,294,193	A	3/1994	Wegman et al.	D627,177	S *	11/2010	Mead et al. ....	D6/650
5,408,939	A	4/1995	Lechman	7,823,518	B2	11/2010	Phillips	
5,544,593	A	8/1996	Canfield et al.	7,901,018	B2	3/2011	Baughman	
5,586,816	A	12/1996	Geiss, II	7,908,978	B1	3/2011	Pelton, Jr.	
5,791,259	A	8/1998	Mansfield et al.	7,913,631	B2	3/2011	Hawkins	
5,873,312	A	2/1999	Mauro-Vetter	8,011,308	B2	9/2011	Picchio	
5,890,438	A	4/1999	Frankish	8,061,278	B2	11/2011	Skiba	
5,899,025	A	5/1999	Casey et al.	8,061,279	B2	11/2011	Preiss	
5,901,513	A	5/1999	Mollenkopf et al.	8,127,690	B2	3/2012	Baughman	
6,029,586	A	2/2000	Schiavello	8,186,281	B2	5/2012	Bastian et al.	
6,029,587	A	2/2000	Rozier, Jr. et al.	8,291,833	B2	10/2012	Skiba	
6,170,410	B1	1/2001	Gioacchini et al.	2004/0216647	A1	11/2004	Cvek	
6,202,567	B1	3/2001	Funk et al.	2006/0096505	A1	5/2006	Sykes	
6,286,441	B1	9/2001	Burdi et al.	2008/0250989	A1	10/2008	Kozlowski et al.	
6,289,825	B1	9/2001	Long	2009/0266274	A1	10/2009	Berlin et al.	
6,435,106	B2	8/2002	Funk et al.	2009/0273260	A1	11/2009	Kemp	
6,439,657	B1	8/2002	Tholkes	2010/0126394	A1	5/2010	Burak et al.	
6,484,648	B1	11/2002	Long	2011/0042911	A1	2/2011	Kozlowski, Jr. et al.	
				2012/0125237	A1	5/2012	Heyvaerts	
				2012/0187727	A1	7/2012	Wu	
				2014/0312754	A1 *	10/2014	Hecht et al. ....	312/309

\* cited by examiner

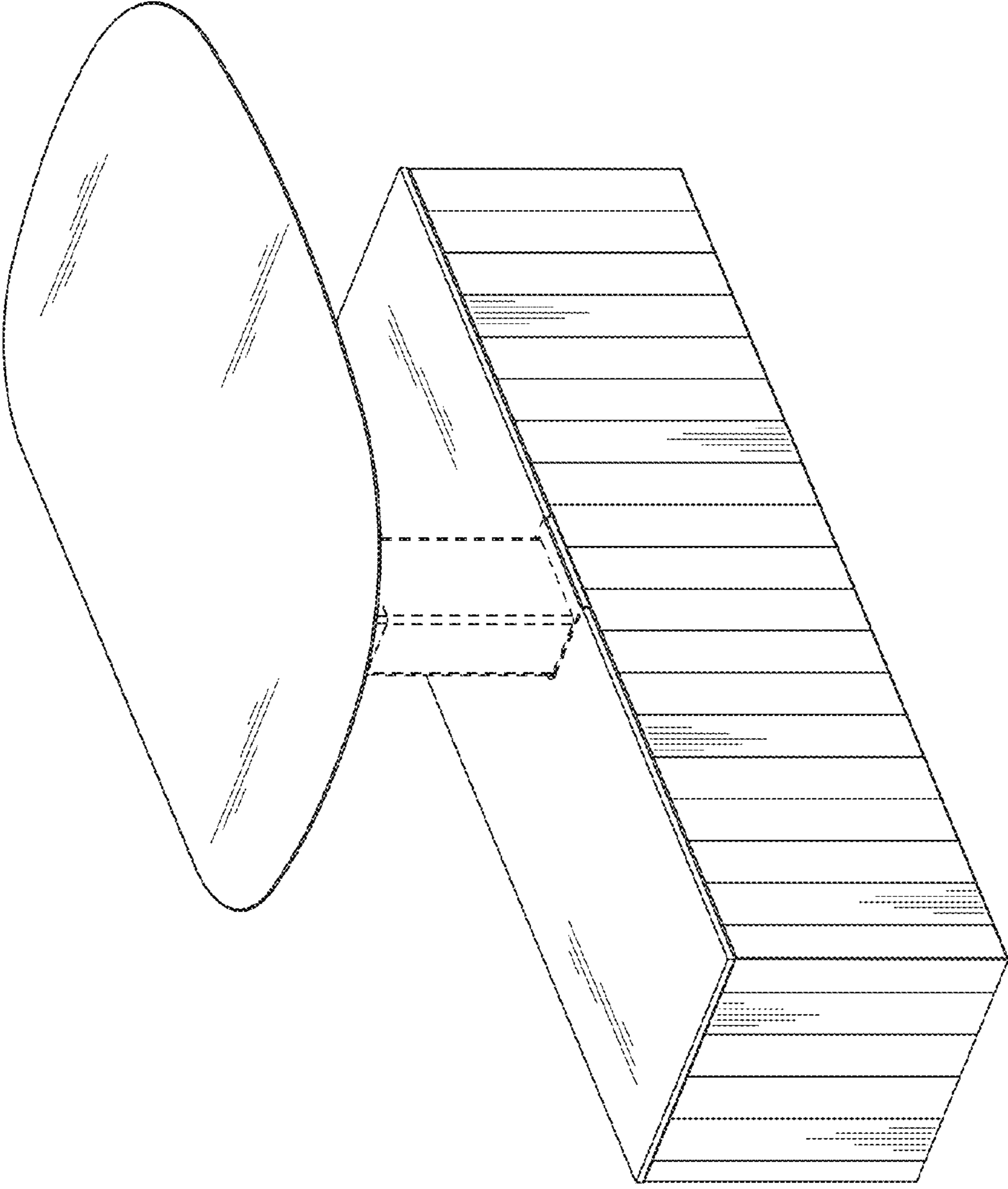
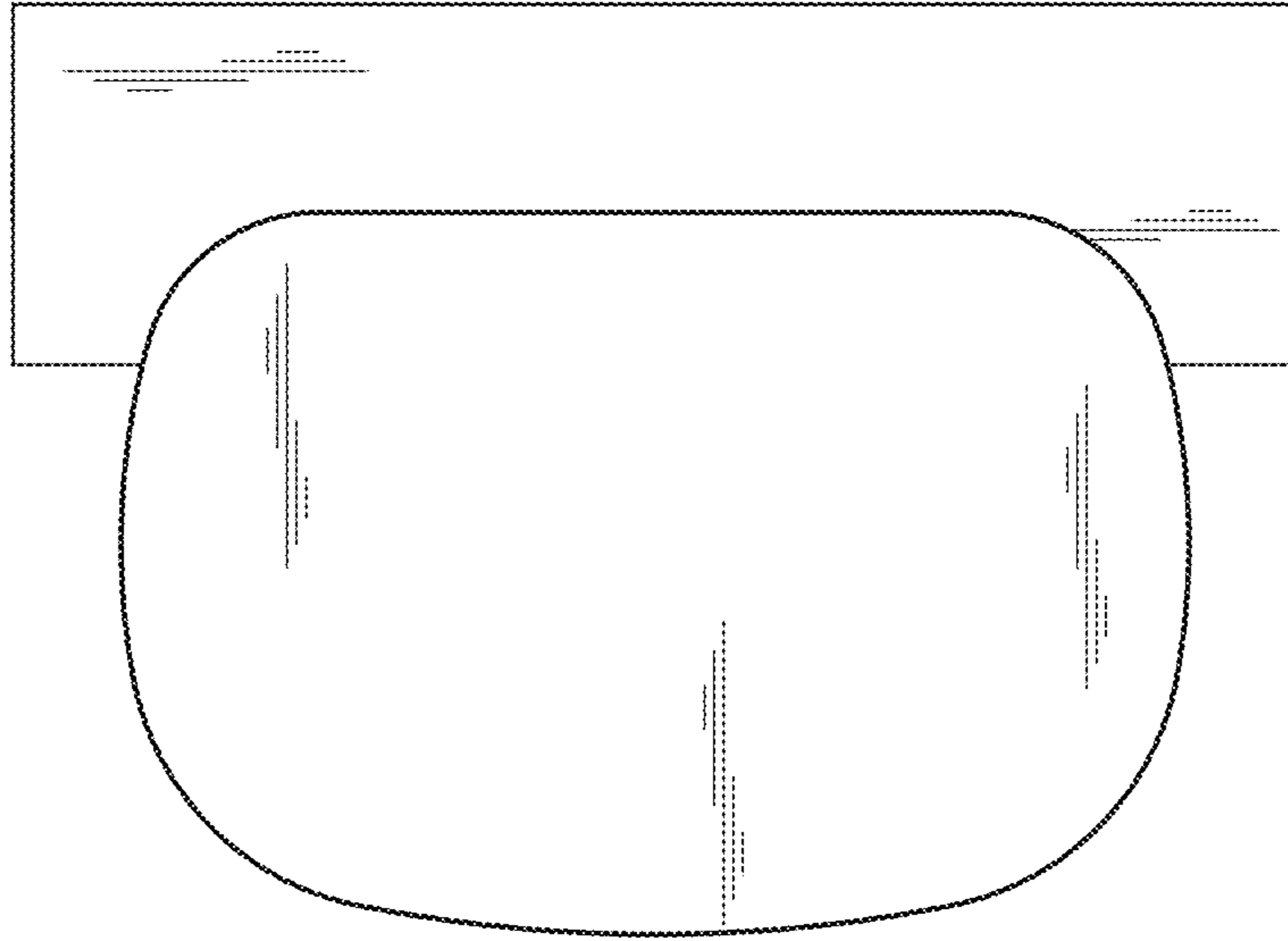
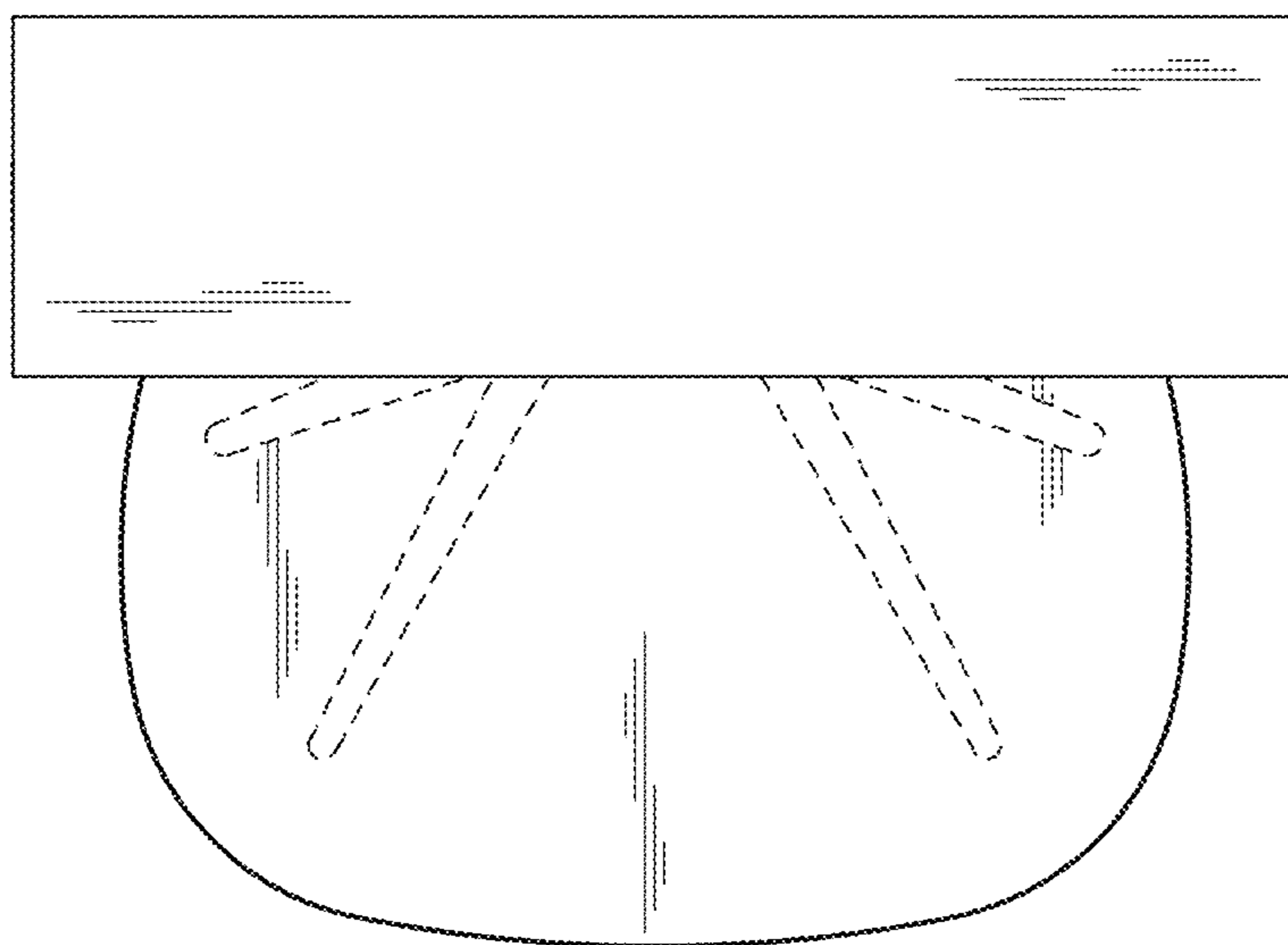


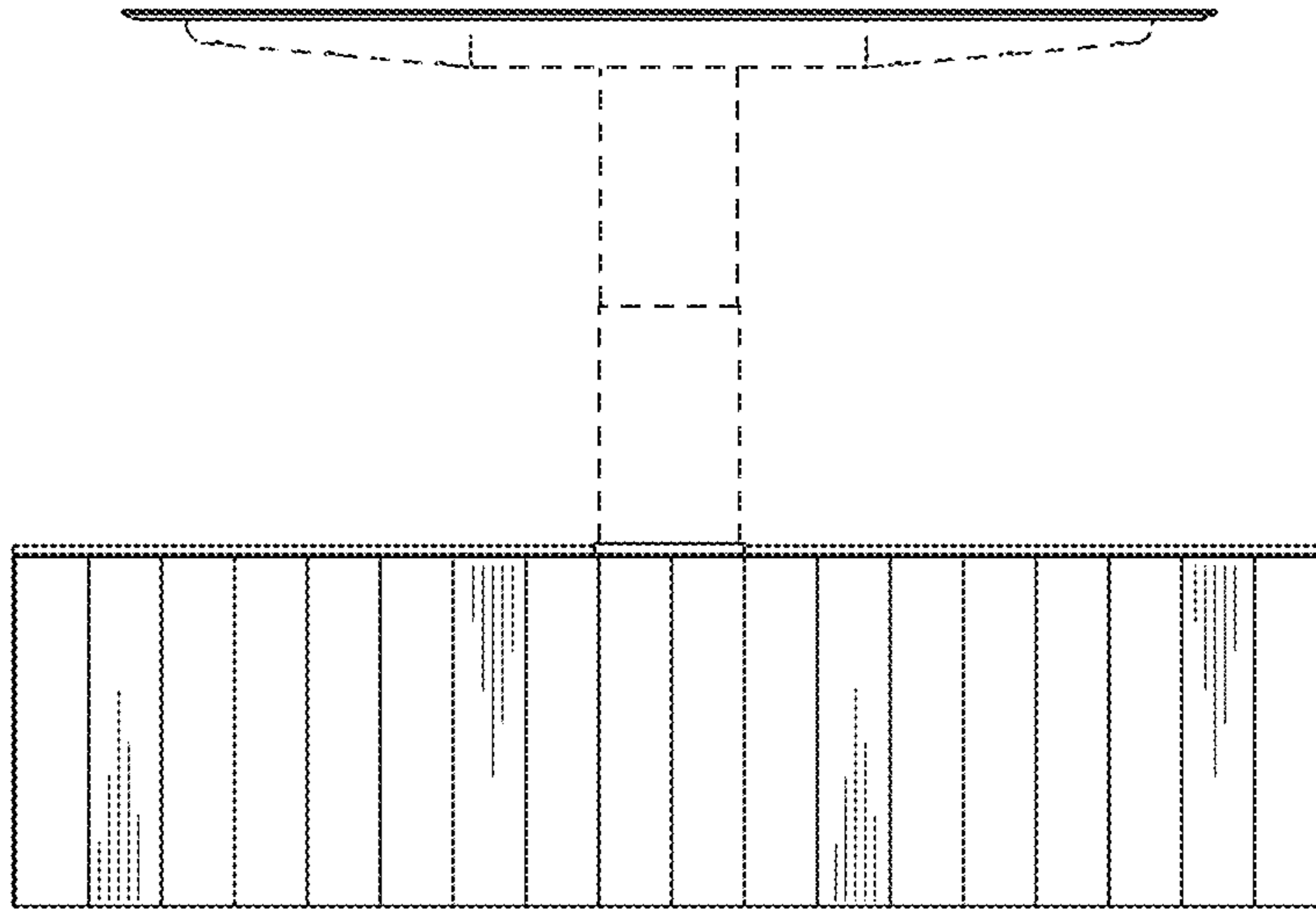
FIG. 1



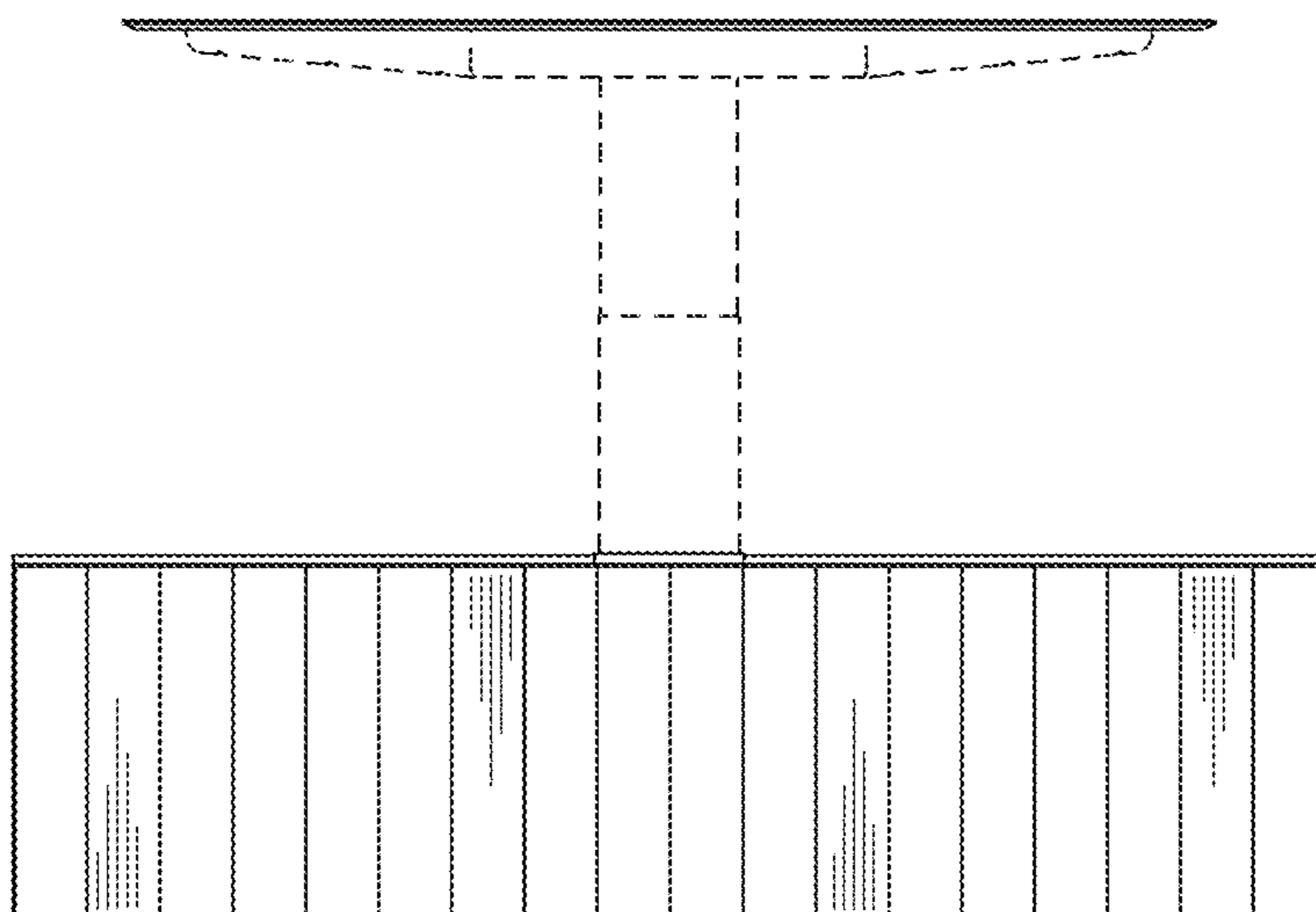
*FIG. 2*



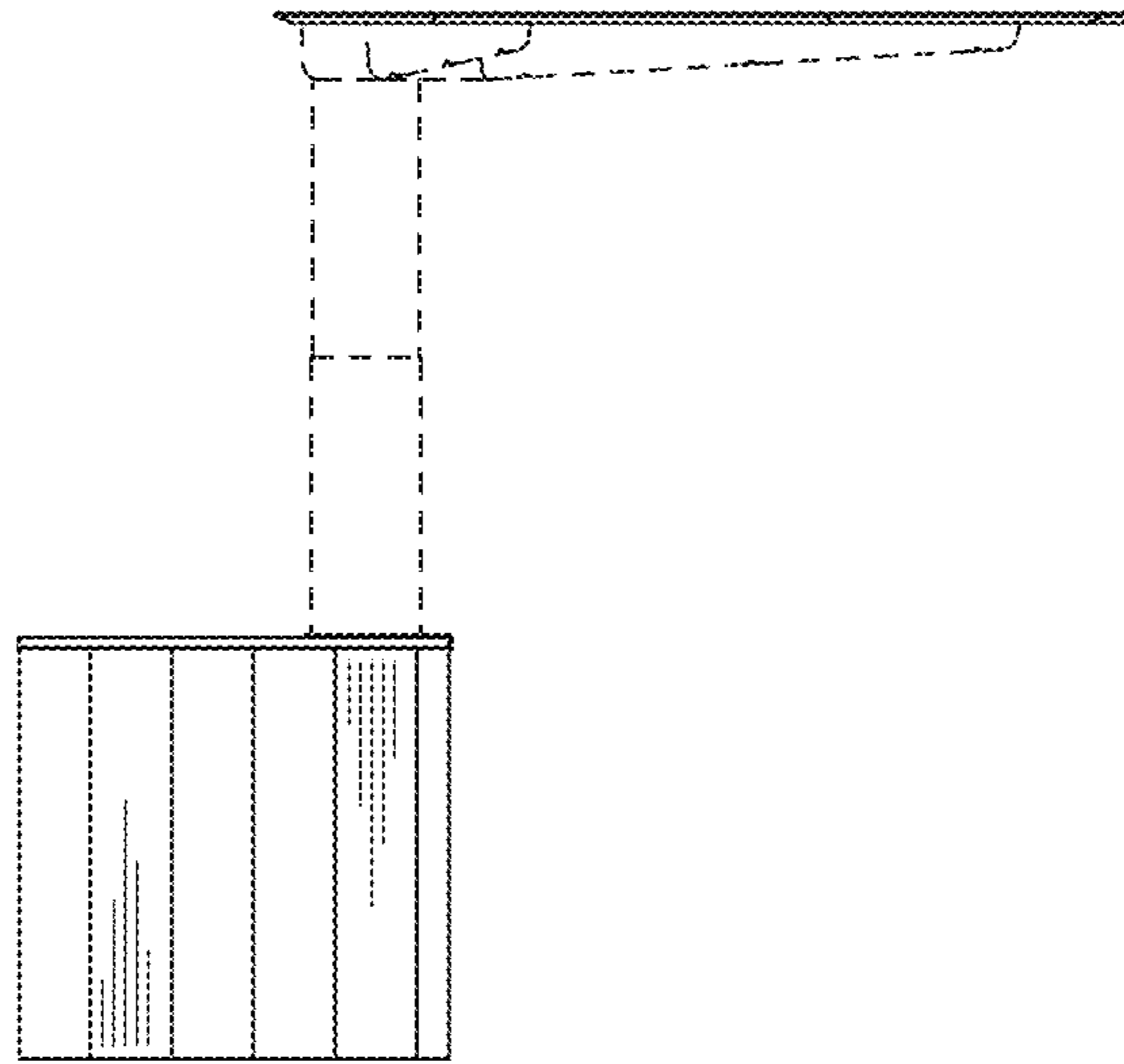
*FIG. 3*



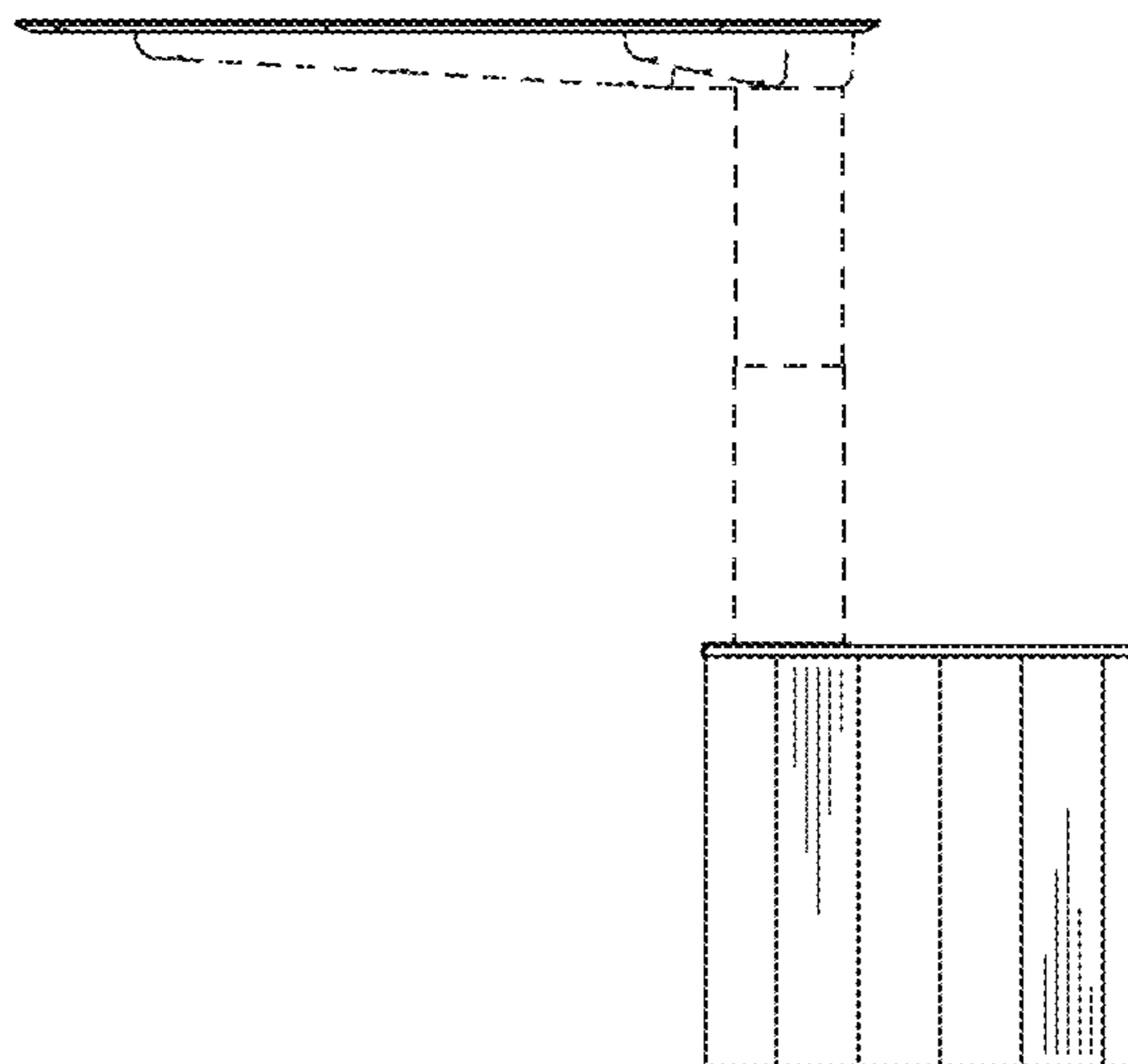
*FIG. 4*



*FIG. 5*



*FIG. 6*



*FIG. 7*

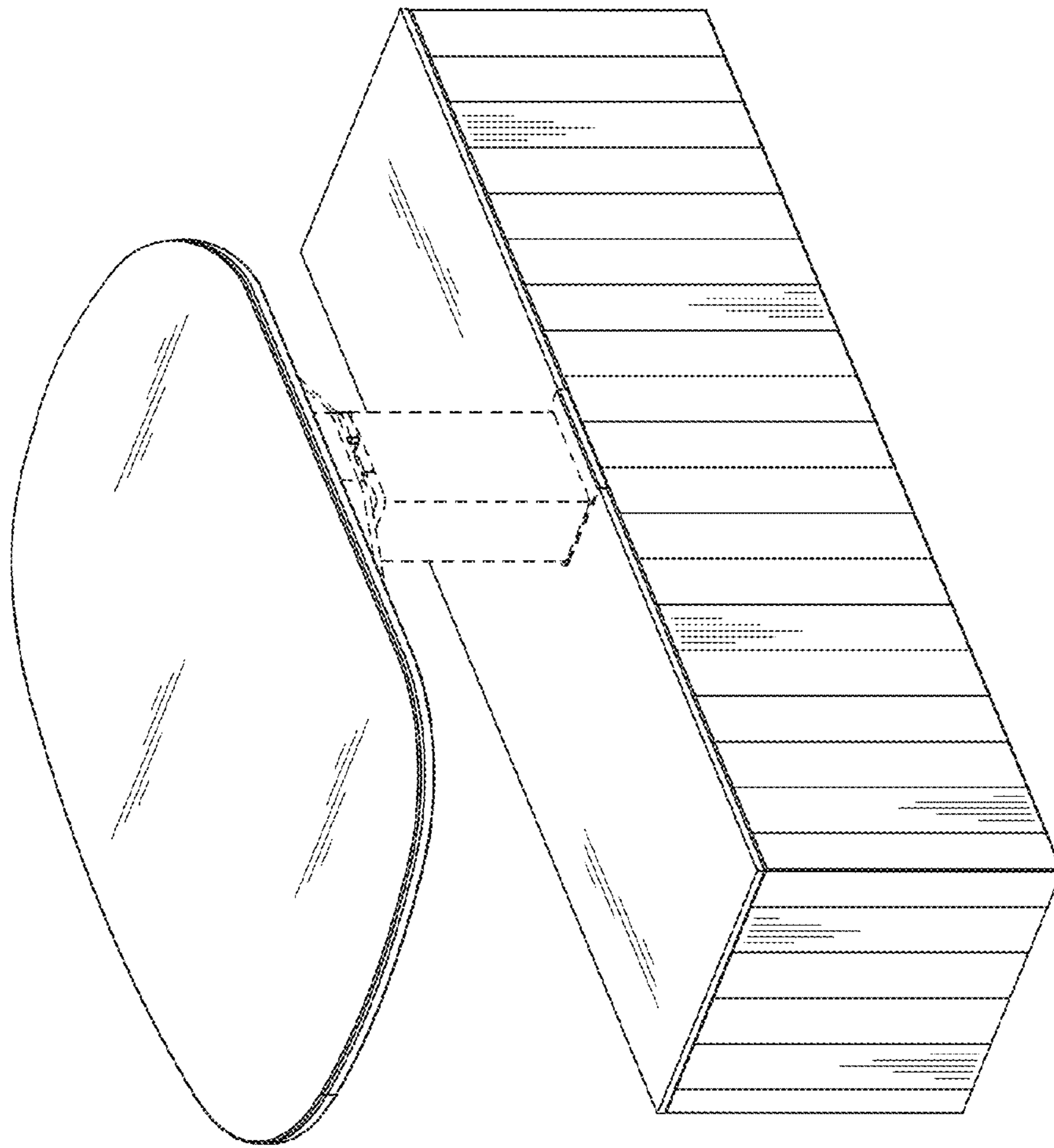
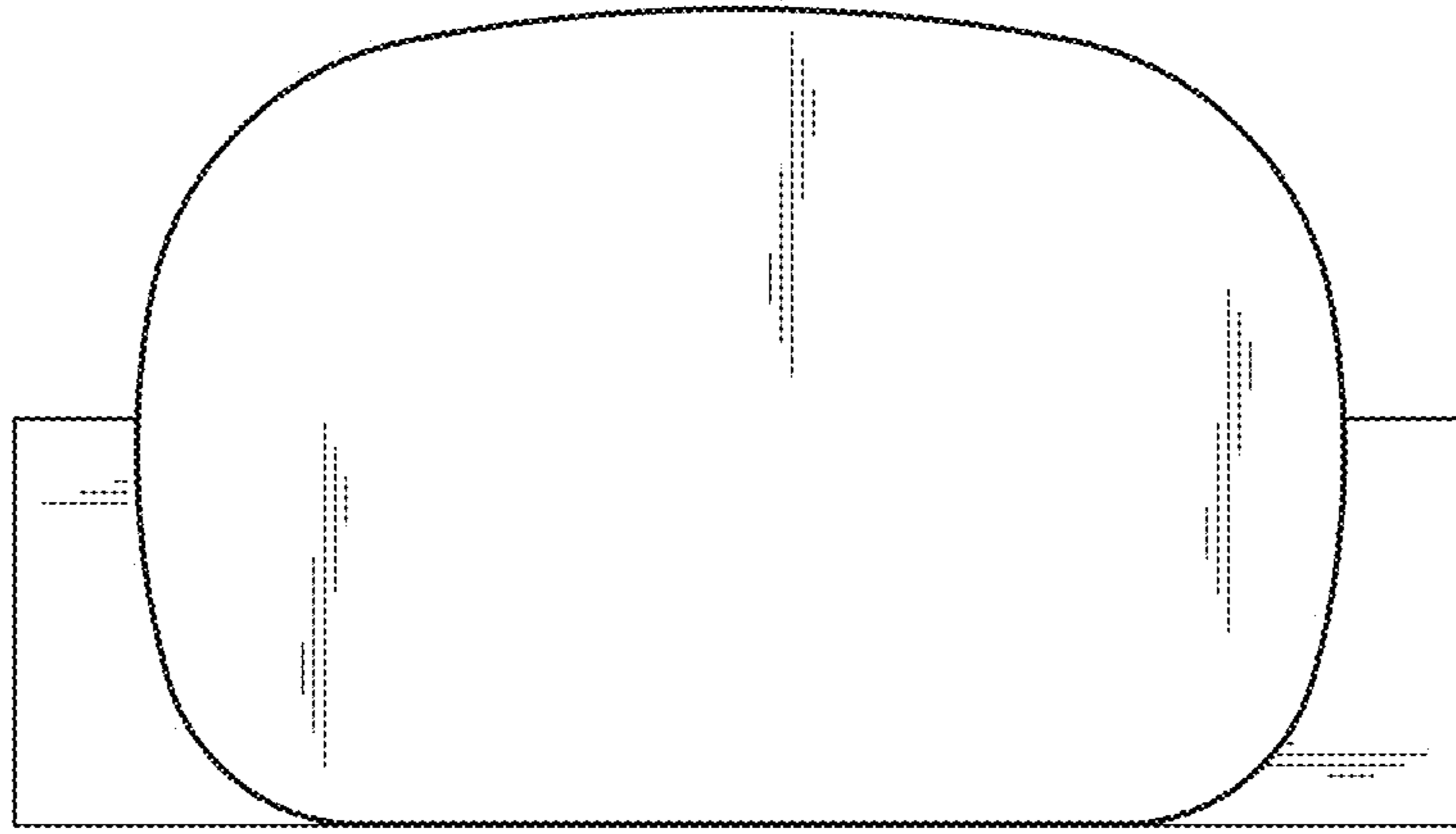
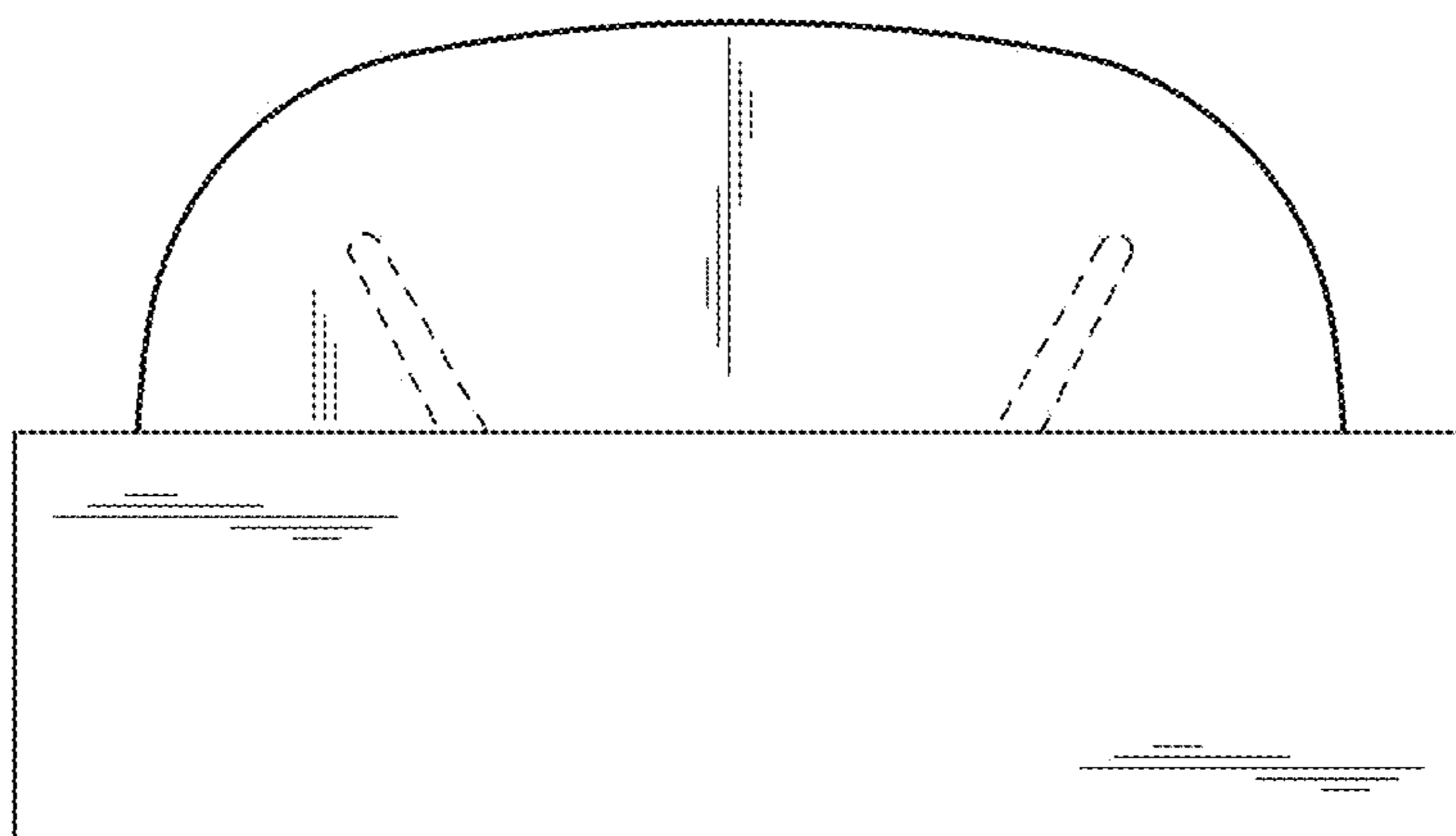


FIG. 8

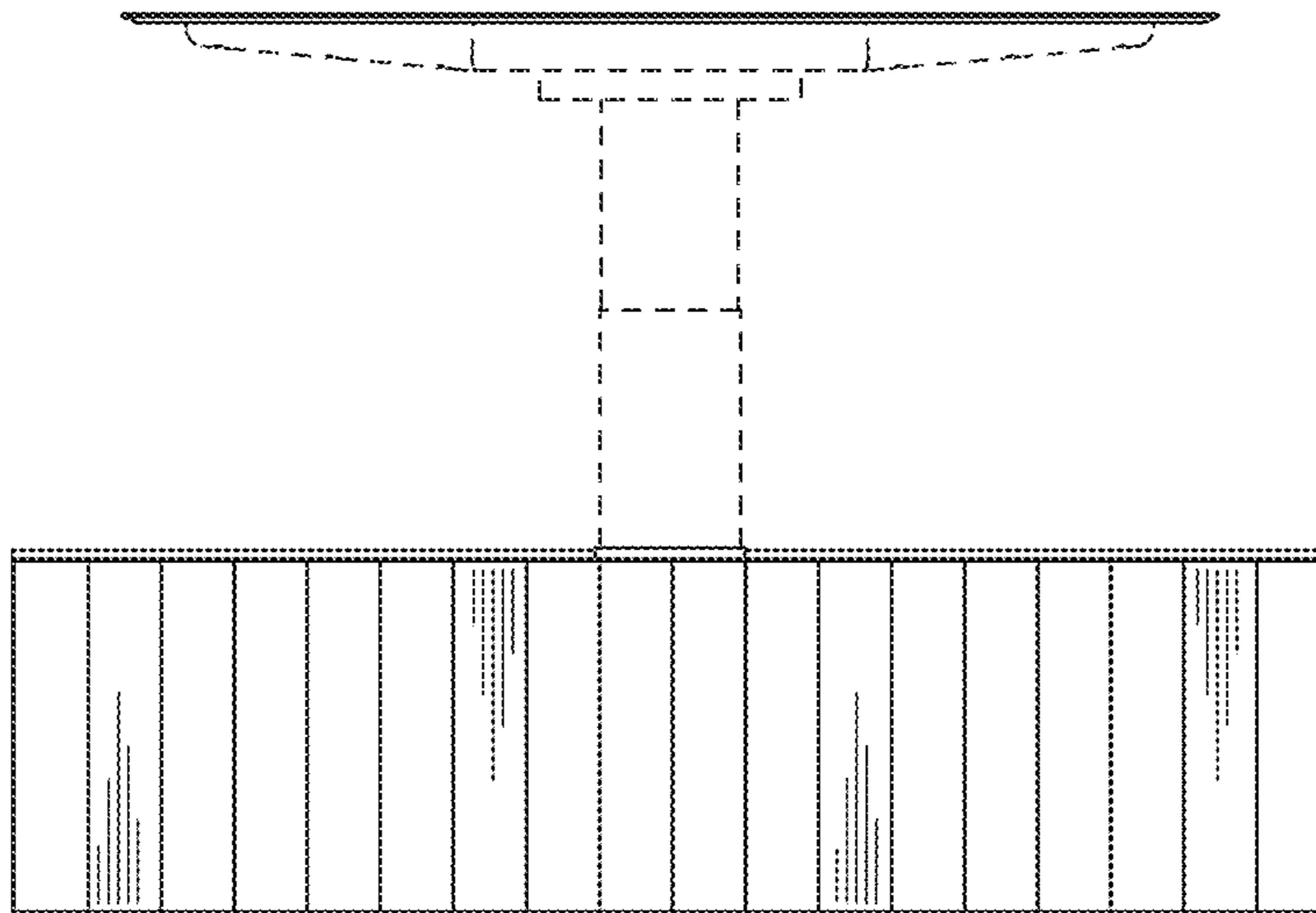


*FIG. 9*

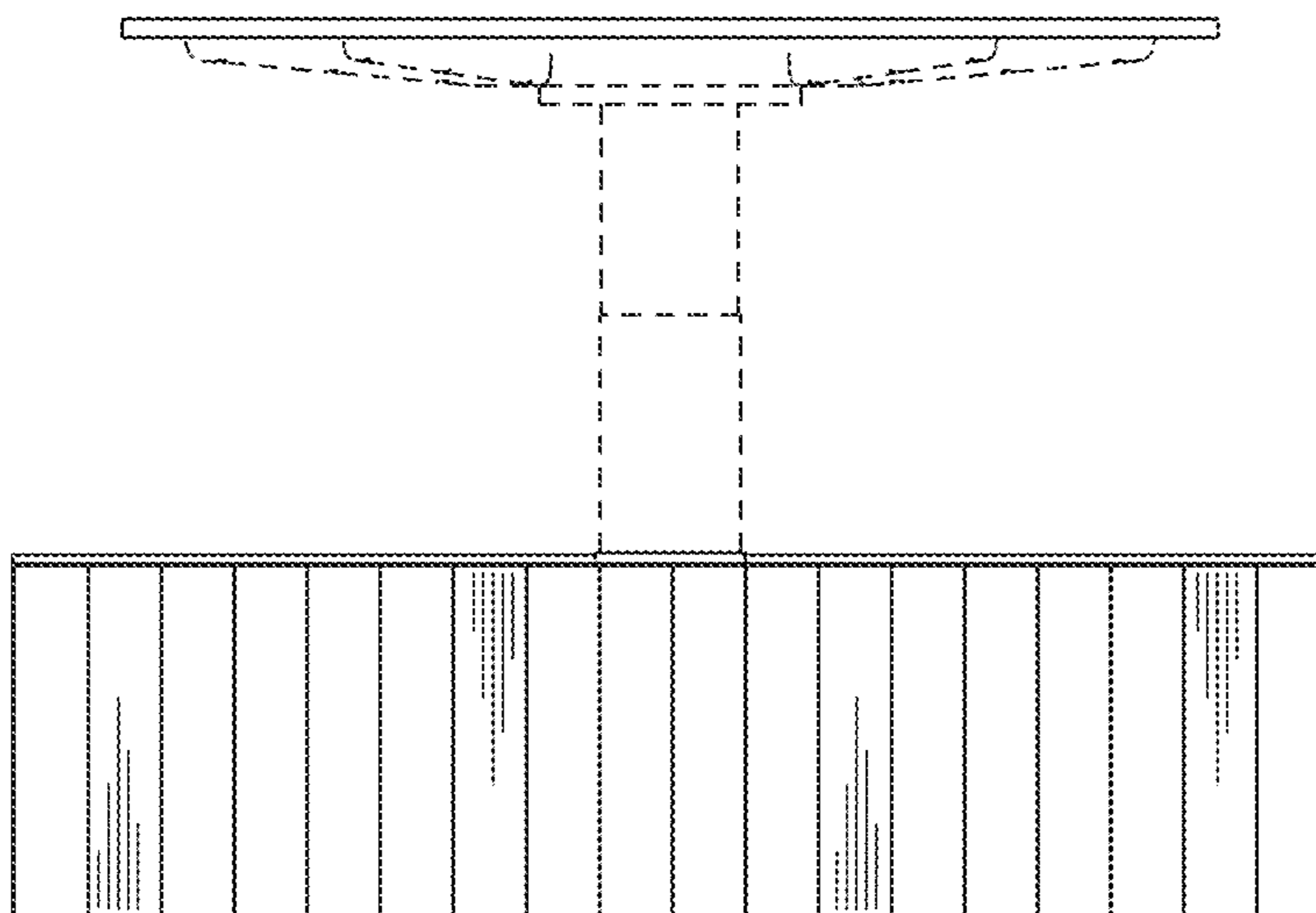


*FIG. 10*

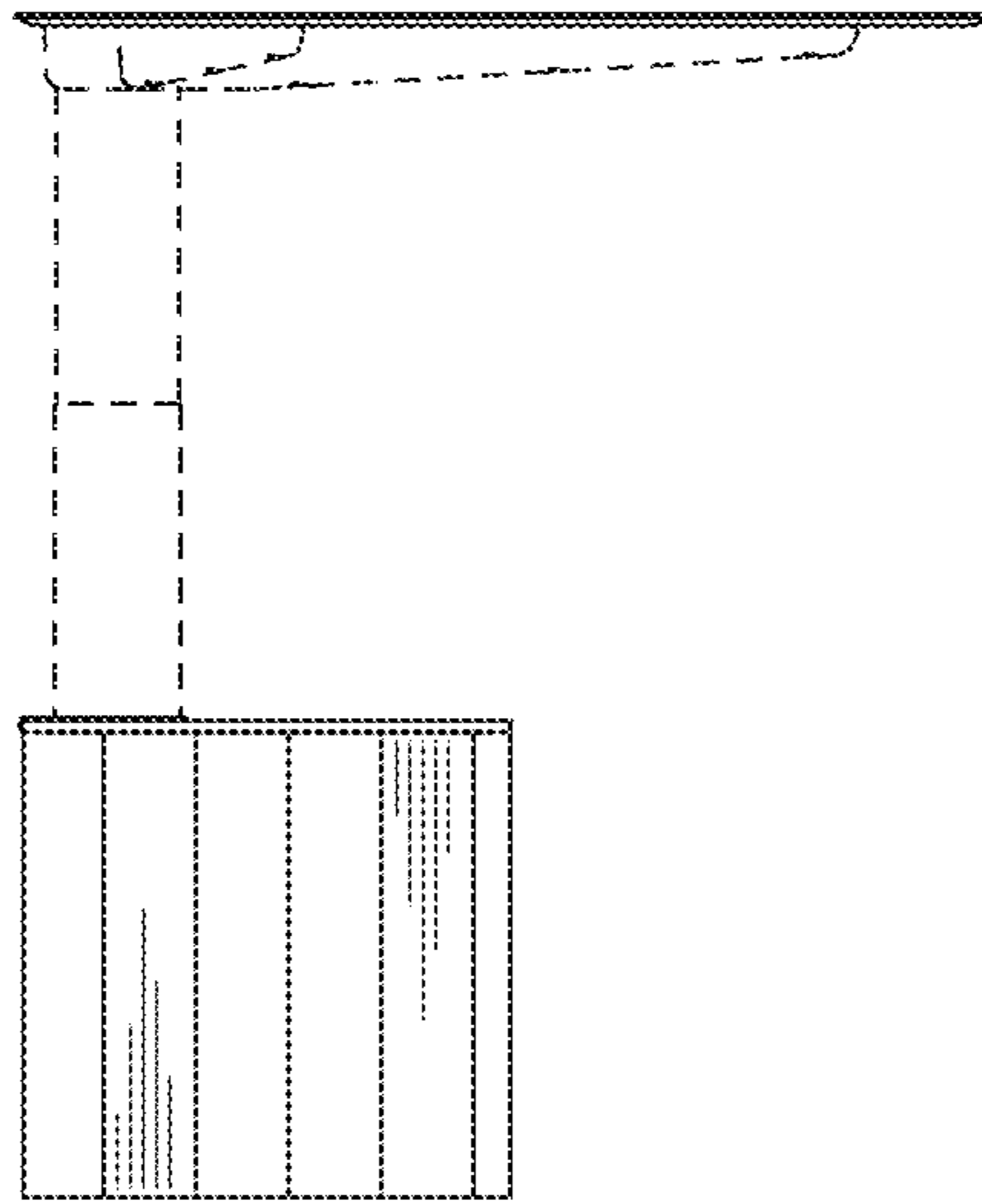




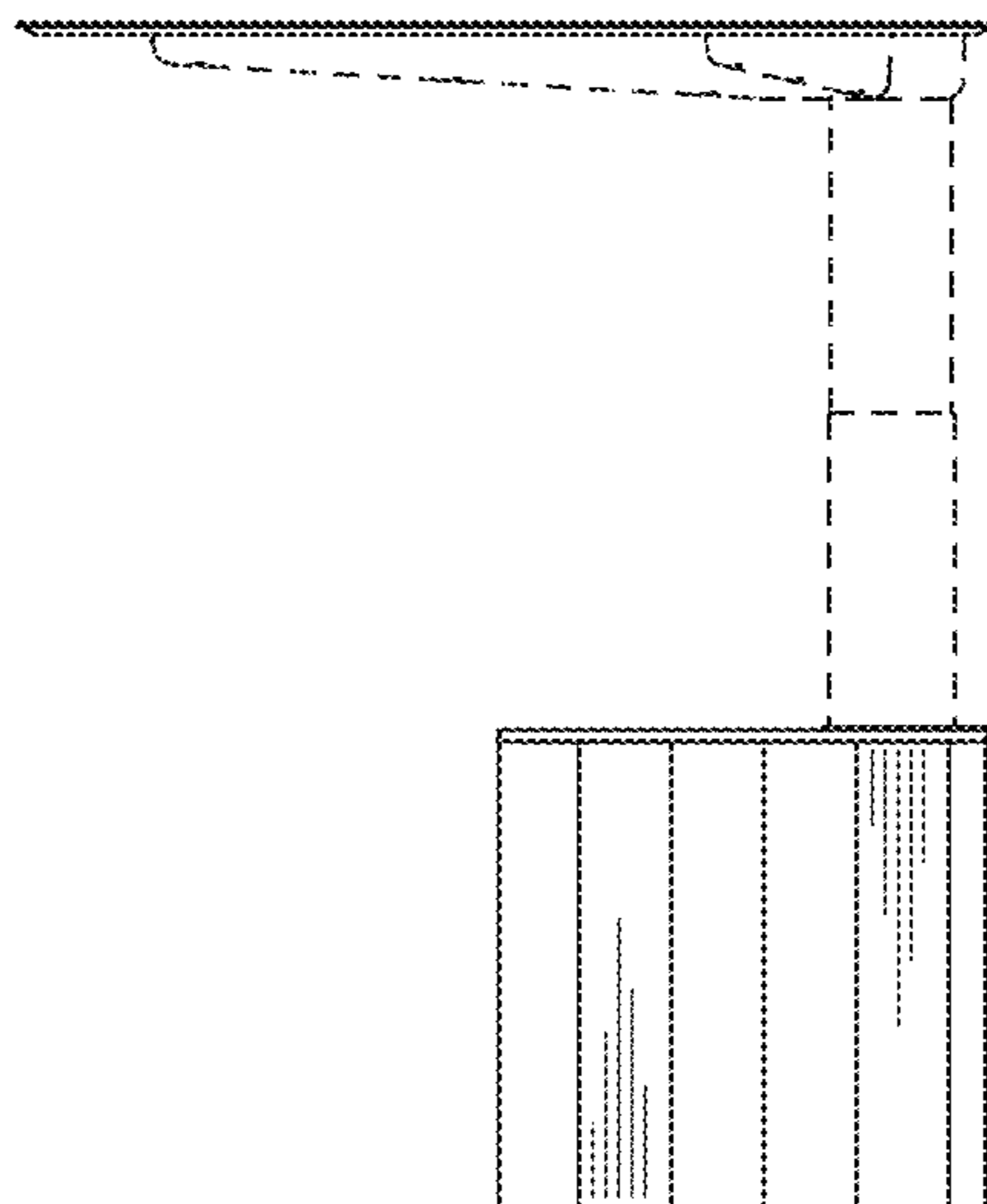
*FIG. 11*



*FIG. 12*



*FIG. 13*



*FIG. 14*