



US00D743184S

(12) **United States Design Patent**  
**Lin**

(10) **Patent No.:** **US D743,184 S**

(45) **Date of Patent:** **\*\* Nov. 17, 2015**

(54) **COVER OF A CORD-GUIDING DEVICE FOR A WINDOW BLIND**

(71) Applicant: **Ya-Yin Lin**, Chiayi (TW)

(72) Inventor: **Ya-Yin Lin**, Chiayi (TW)

(\*\*) Term: **14 Years**

(21) Appl. No.: **29/508,186**

(22) Filed: **Nov. 4, 2014**

(51) **LOC (10) Cl.** ..... **06-10**

(52) **U.S. Cl.**  
USPC ..... **D6/581**

(58) **Field of Classification Search**  
USPC ..... D6/575, 576, 577, 578, 579, 580, 581;  
D8/19, 349, 354, 363, 368, 369, 376,  
D8/387, 395, 399; 160/84.01, 84.02,  
160/84.03, 84.04, 84.05, 84.06, 84.07,  
160/84.08, 107, 108, 111, 113, 130, 133,  
160/166.1, 168.1 R, 330  
CPC ..... E06B 3/30; E06B 9/00; E06B 9/02;  
E06B 9/24; E06B 9/262; A47H 1/00; A47H  
1/02; A47H 21/00; A47H 23/00; A47H 23/02;  
A47H 23/04; A47H 2001/0205; A47H  
2023/025  
See application file for complete search history.

(56) **References Cited**

**U.S. PATENT DOCUMENTS**

D30,403 S *	3/1899	Sherwood	.....	D8/395
2,061,548 A *	11/1936	Cameron	.....	160/173 R
D285,647 S *	9/1986	Sachs	.....	D8/356
D347,533 S *	6/1994	Lambert	.....	D24/190
D519,310 S *	4/2006	Schorling	.....	D6/580
D556,015 S *	11/2007	Muchnik	.....	D8/354

D559,672 S *	1/2008	Alexander	.....	D8/395
D562,115 S *	2/2008	Michaud et al.	.....	D8/366
D586,206 S *	2/2009	Robbins et al.	.....	D8/380
D621,953 S *	8/2010	Peifer	.....	D24/232
8,201,789 B1 *	6/2012	Chou	.....	248/262
D686,486 S *	7/2013	Densmore et al.	.....	D8/349
D703,974 S *	5/2014	Chou	.....	D6/580

\* cited by examiner

*Primary Examiner* — Karen S Acker

*Assistant Examiner* — Wendy Arminio

(74) *Attorney, Agent, or Firm* — LeClairRyan

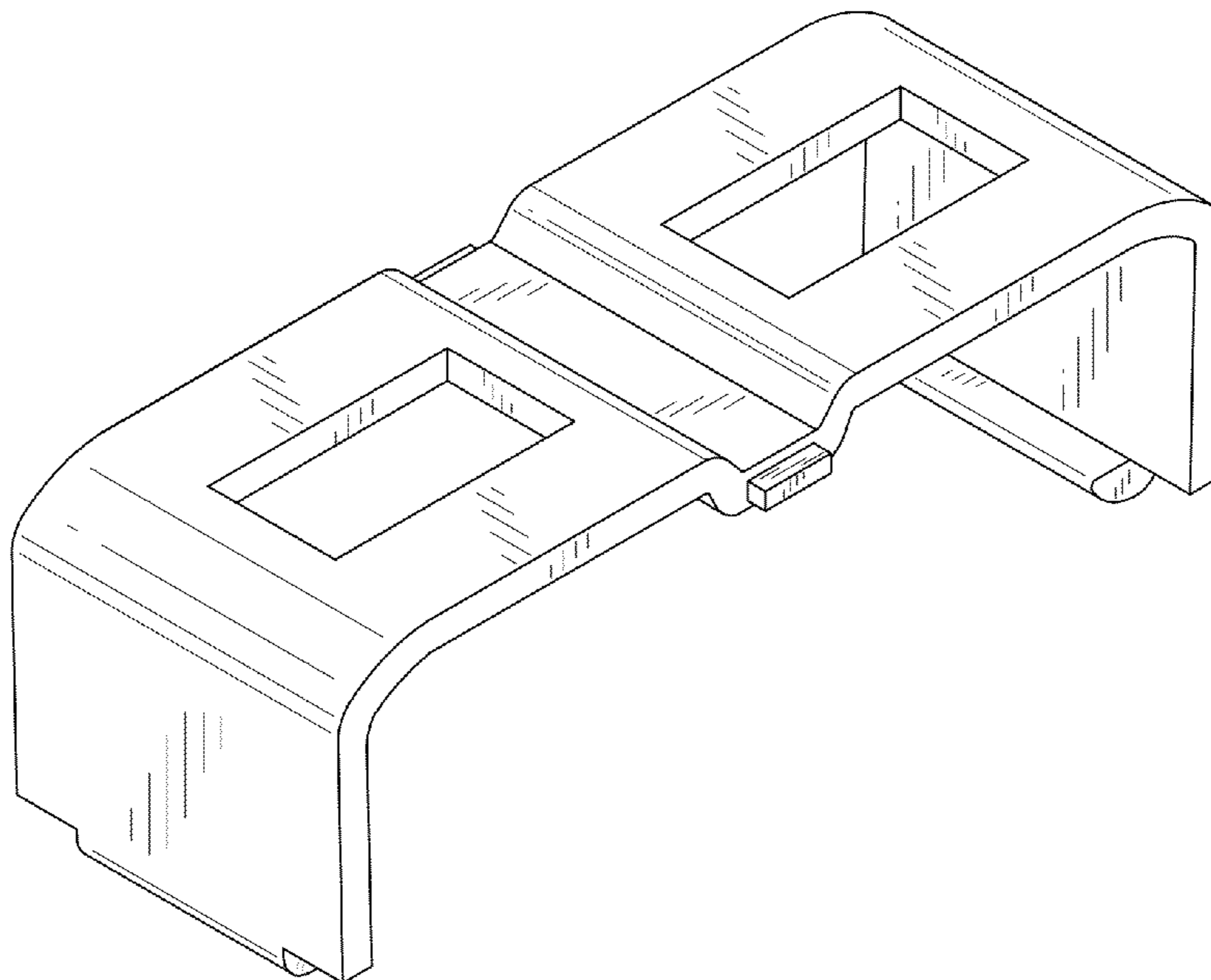
(57) **CLAIM**

The ornamental design for a cover of a cord-guiding device for a window blind, a shown and described.

**DESCRIPTION**

FIG. 1 is a perspective view of cover of a cord-guiding device for a window blind showing my new design, FIG. 2 is a front elevational view thereof; FIG. 3 is a rear elevational view thereof; FIG. 4 is a left side elevational view thereof; FIG. 5 is a right side elevational view thereof; FIG. 6 is a top plan view thereof; FIG. 7 is a bottom plan view thereof; and, FIG. 8 is a perspective view of FIG. 1, showing the design positioned to indicate the direction of placement of the design upon a window blind head rail when in use. The broken lines in FIG. 8 showing a window blind, head rail, and a second cover of a cord-guiding device depict environmental subject matter that forms no part of the claimed design. The broken lines leading from the cover of a cord-guiding device for a window blind to the head rail indicate the direction of assembly of the design in use and form no part of the claimed design.

**1 Claim, 5 Drawing Sheets**



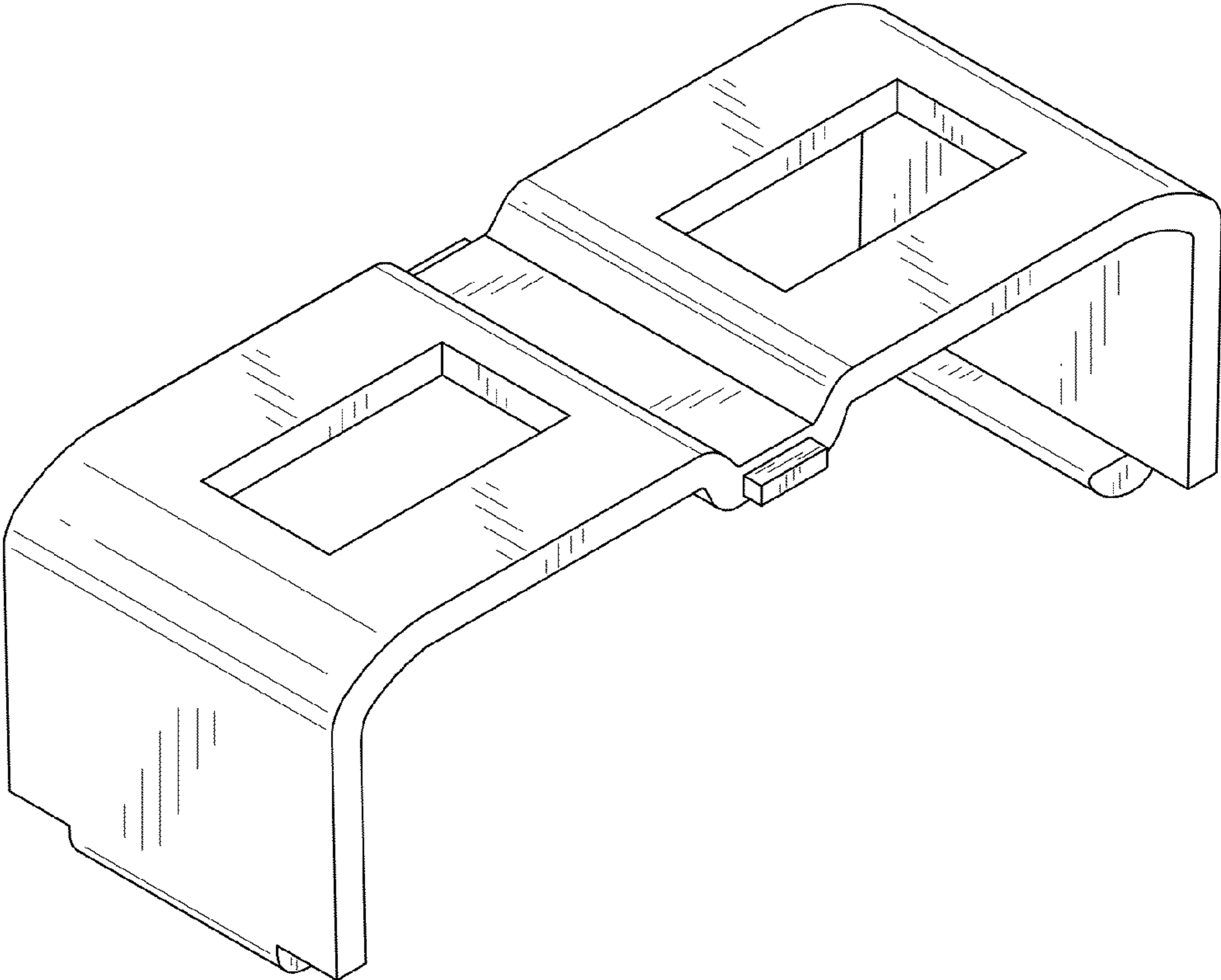


FIG.1

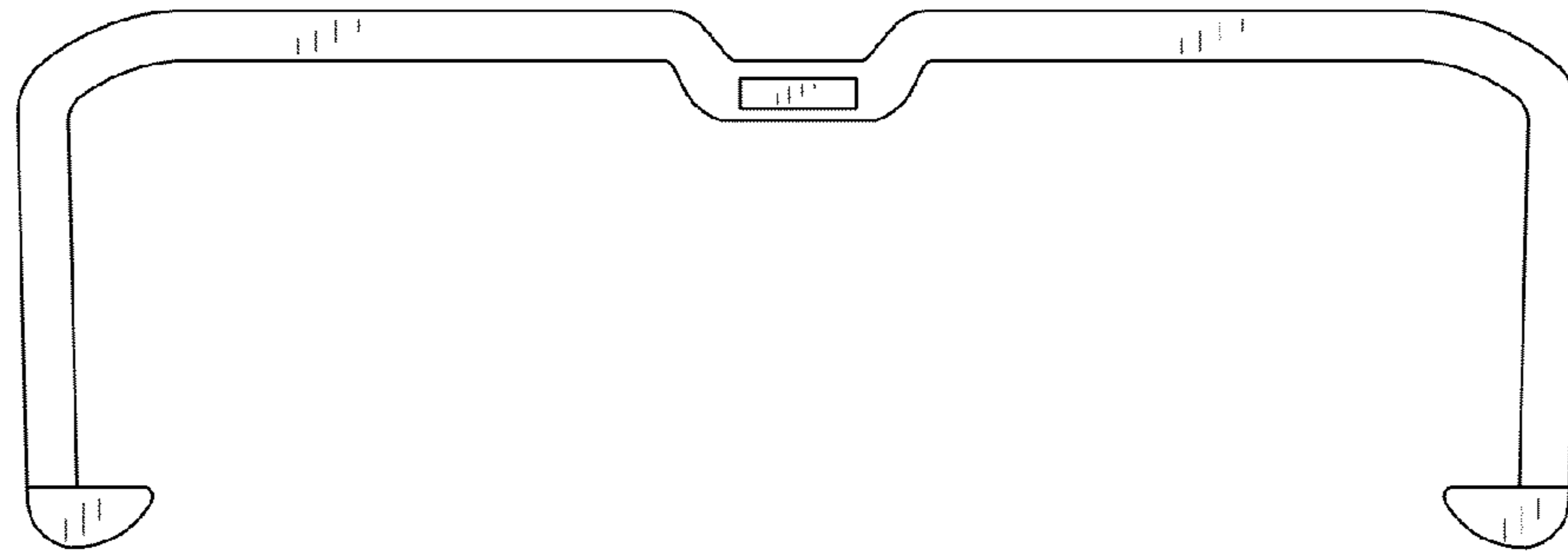


FIG. 2

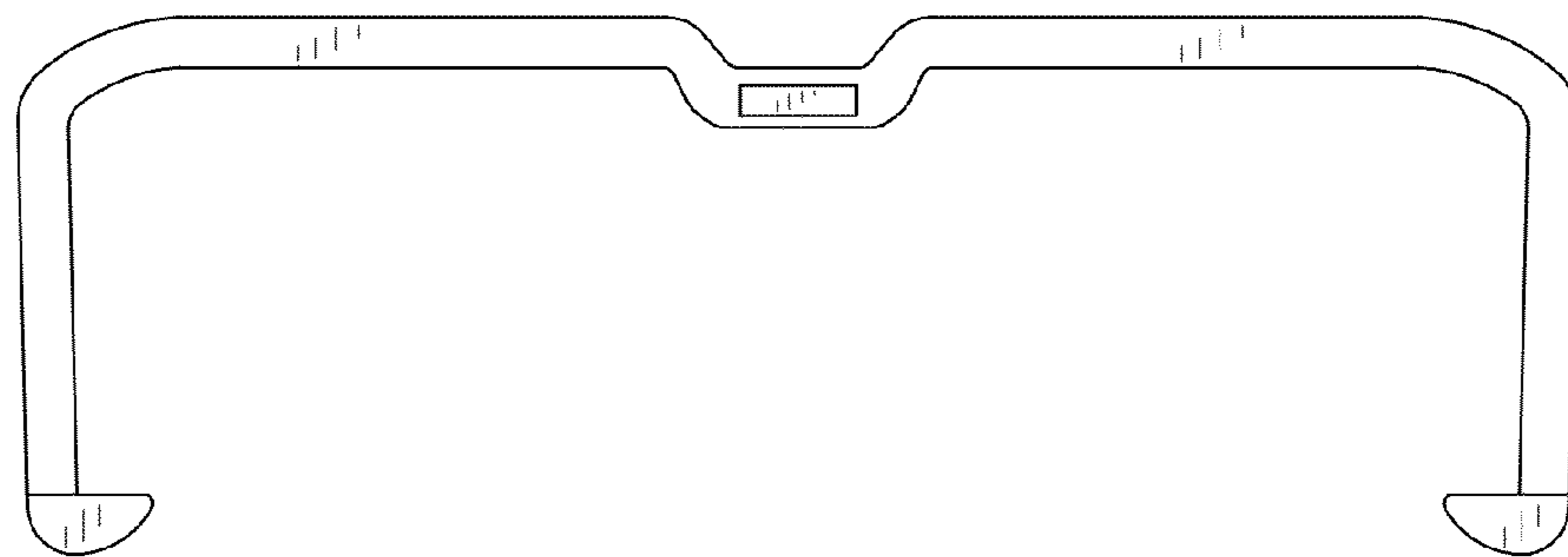


FIG. 3

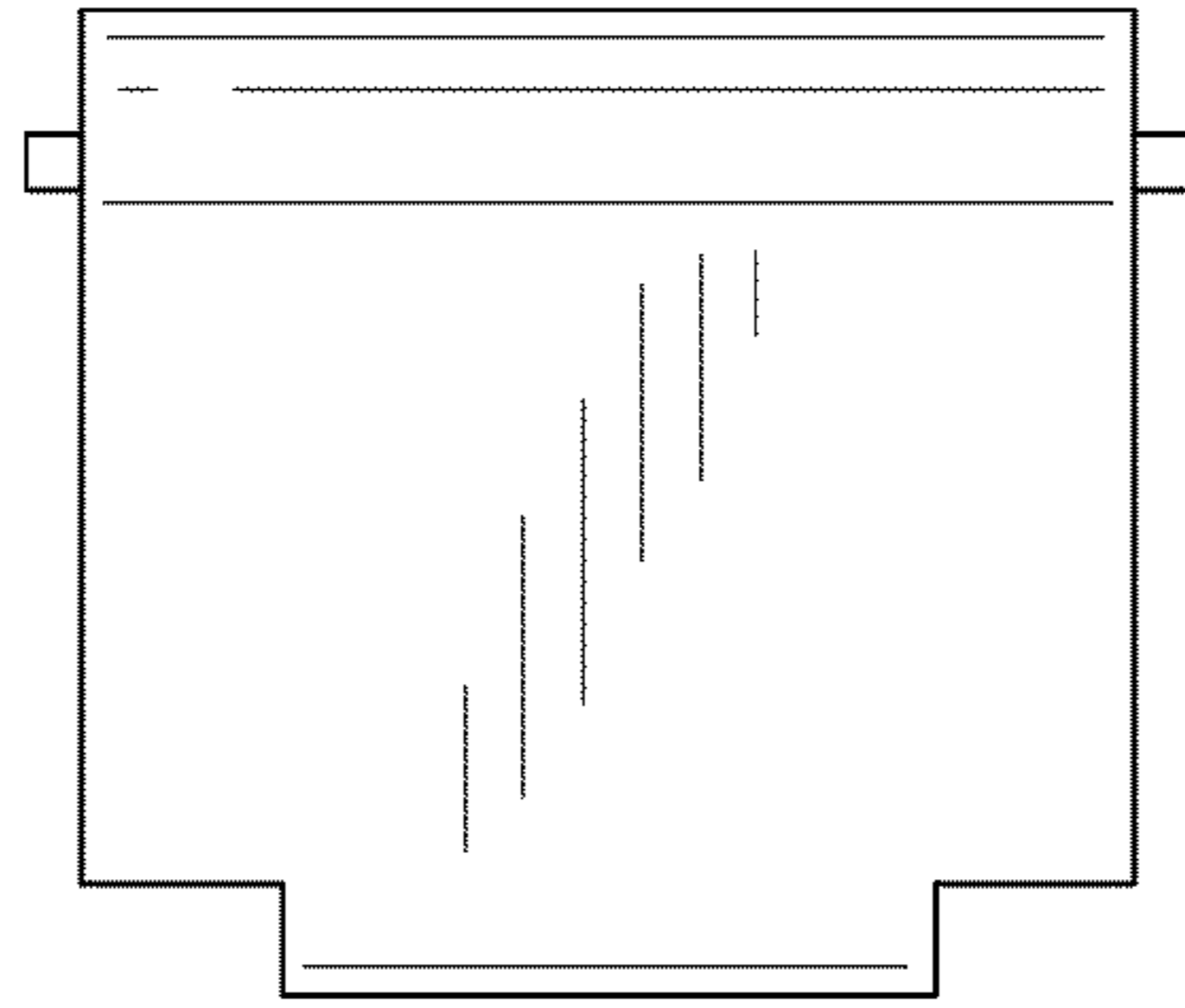


FIG.4

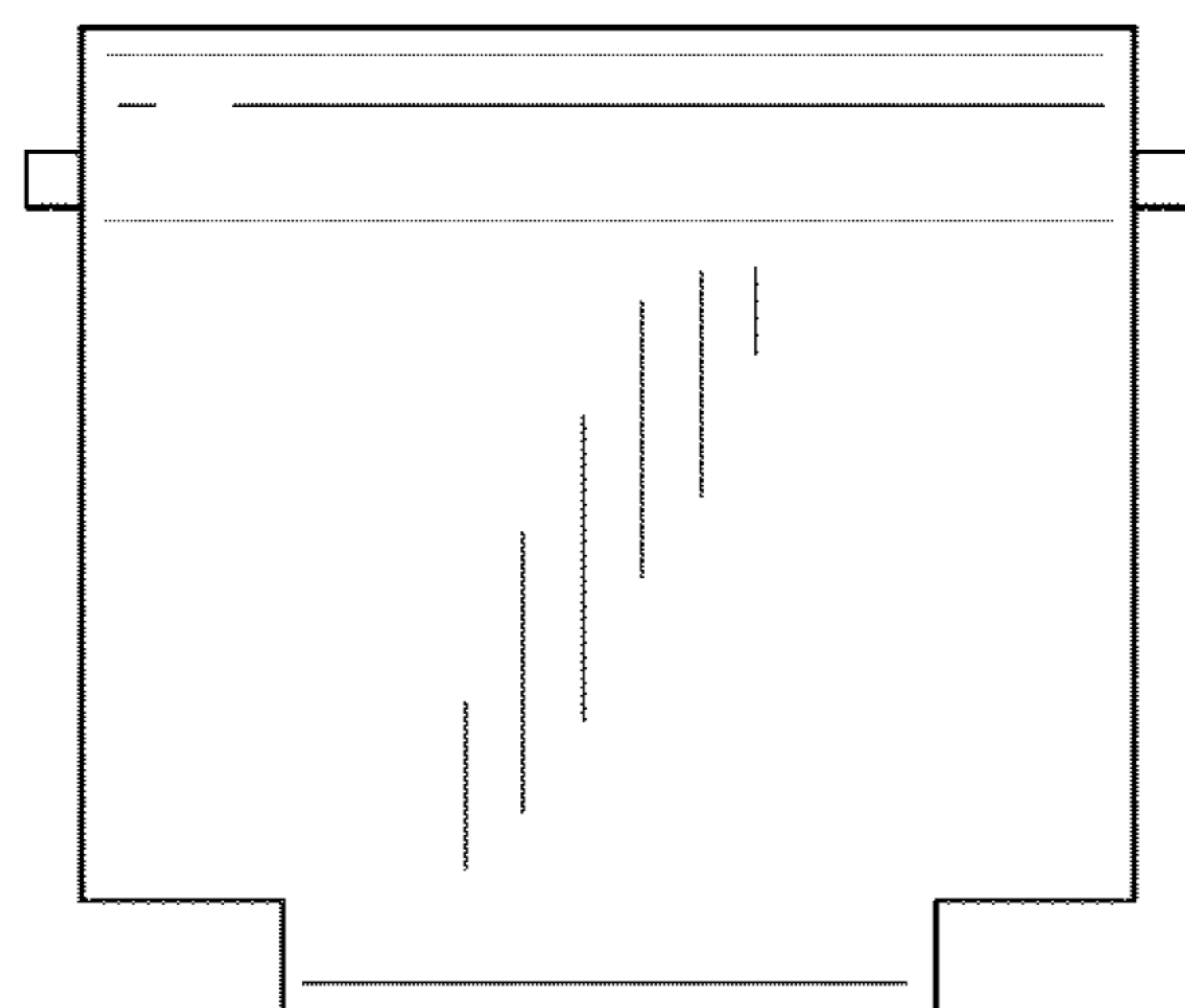


FIG.5

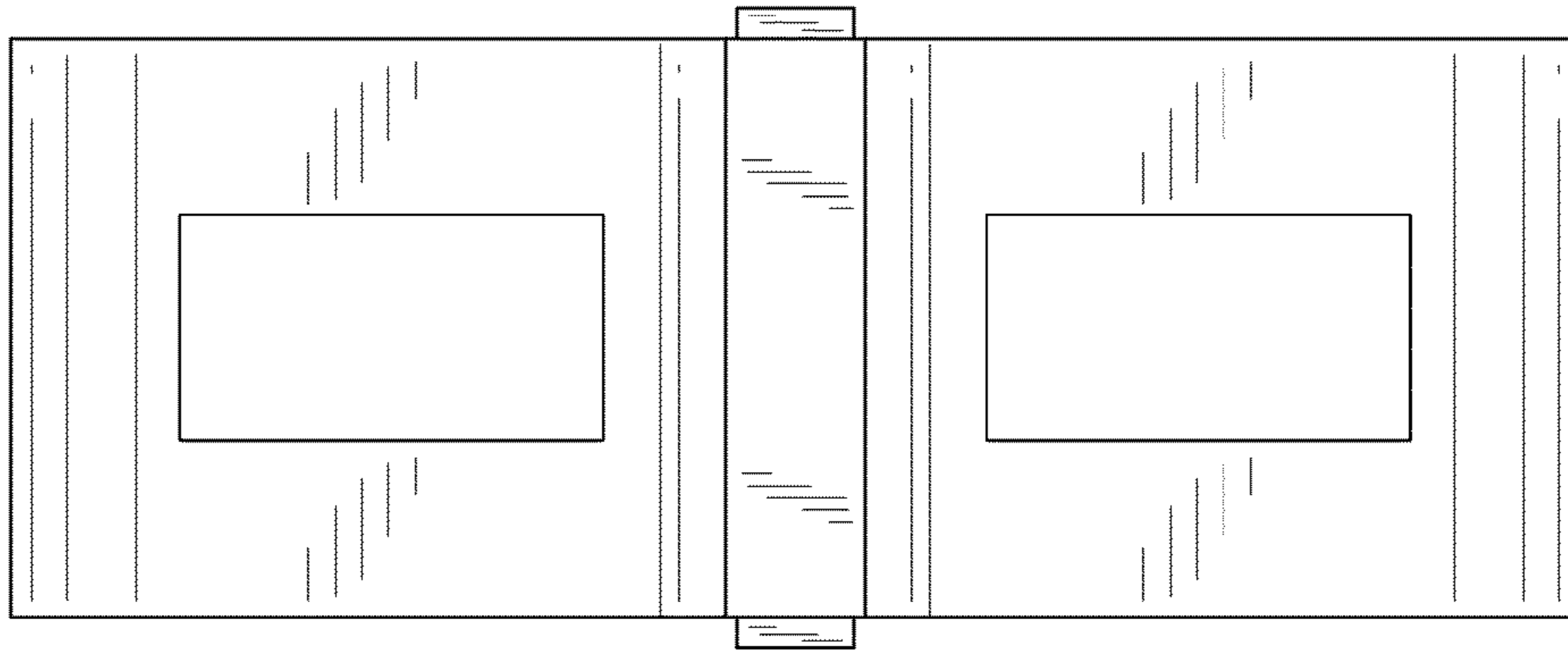


FIG. 6

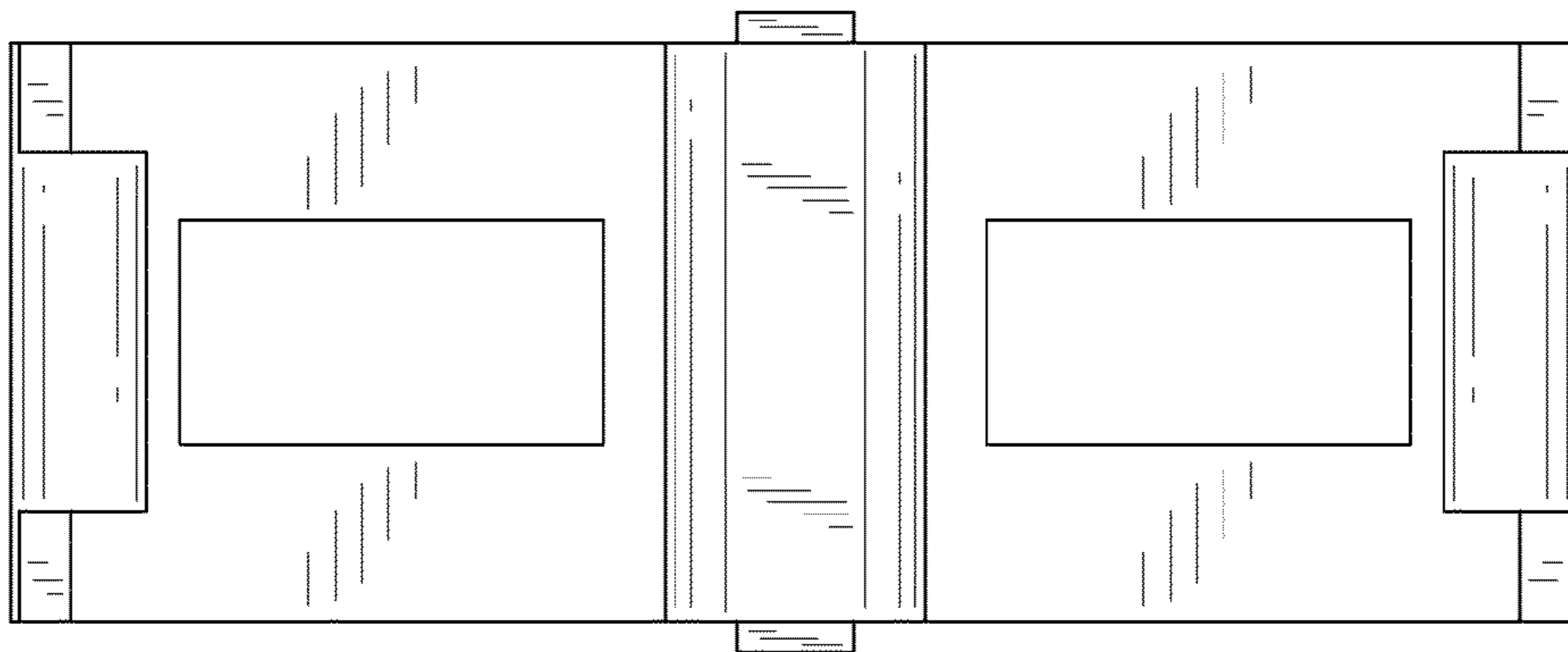


FIG. 7

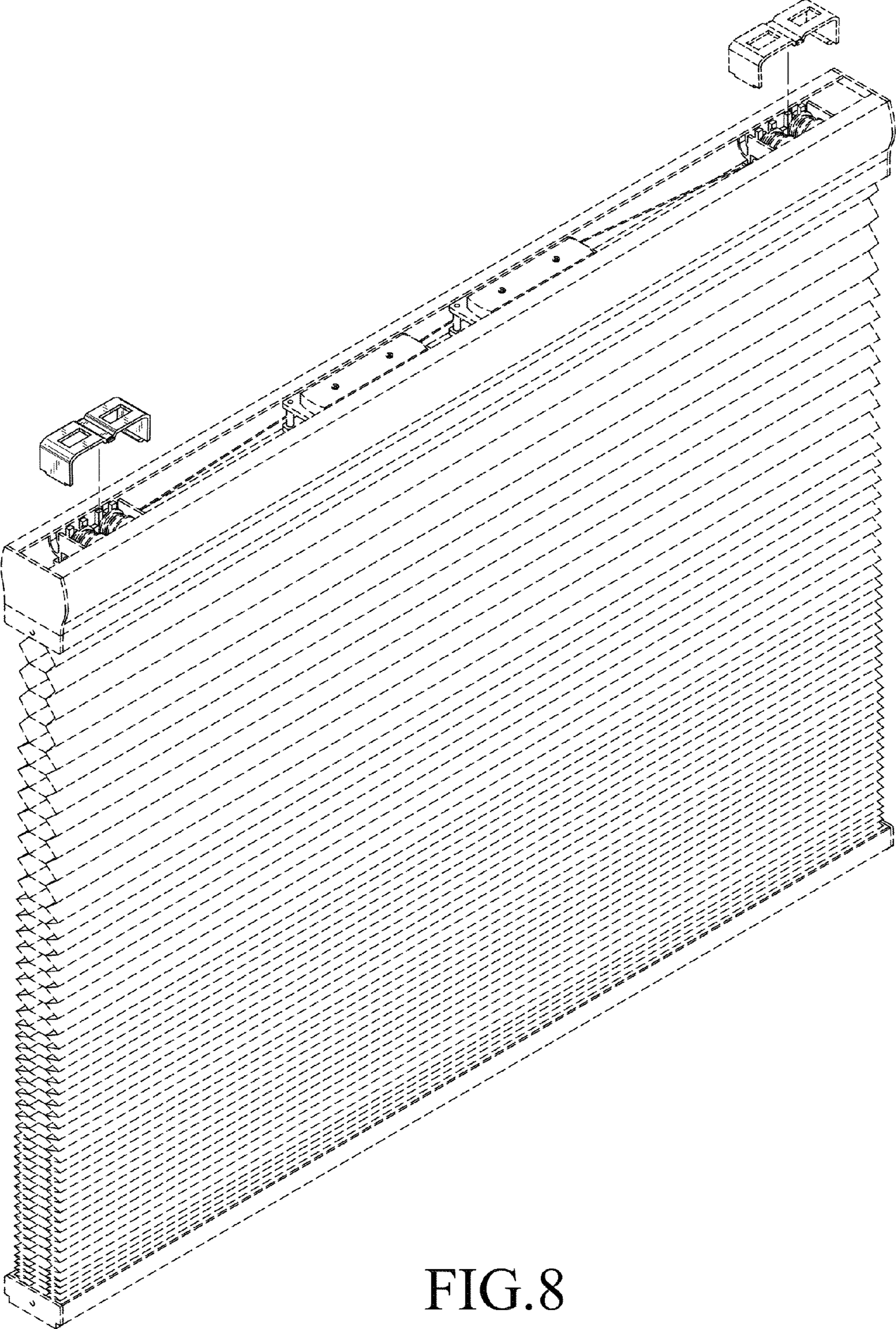


FIG.8