



US00D743181S

(12) **United States Design Patent**
Cardóna

(10) **Patent No.:** **US D743,181 S**

(45) **Date of Patent:** **** Nov. 17, 2015**

(54) **MODULAR SOFA**

(71) Applicant: **Manufacturas Muñoz S.A.S.—MUMA S.A.S.**, Medellín, CO (US)

(72) Inventor: **Pablo Andrés Naranjo Cardóna**, Medellín, CO (US)

(73) Assignee: **MANUFACTURAS MUNOZ S.A.S.—MUMA S.A.S.** (CO)

(**) Term: **14 Years**

(21) Appl. No.: **29/456,930**

(22) Filed: **Jun. 5, 2013**

(51) **LOC (10) Cl.** **06-01**

(52) **U.S. Cl.**
USPC **D6/381**

(58) **Field of Classification Search**
USPC D6/334–338, 349, 355, 361, 368–370,
D6/376, 379–381, 716, 716.1, 716.2, 340,
D6/354, 377; 297/16.1, 42, 94, 135, 175,
297/232, 233, 350, 351, 445.1, 448.1,
297/448.2, 451.9; 5/12.1, 12.2
CPC A47C 1/02; A47C 7/24; A47C 17/00;
A47C 17/02; A47C 17/04; A47C 17/045;
A47C 17/12; A47C 17/132; A47C 17/136
See application file for complete search history.

(56) **References Cited**

U.S. PATENT DOCUMENTS

D132,793 S	*	6/1942	Reiss	D6/364
D148,242 S	*	12/1947	Horsewood	D6/336
D239,671 S	*	4/1976	Offredi	D6/371
D244,894 S	*	7/1977	Tillberg	D6/381
D253,326 S	*	11/1979	Brukoff	D6/377
D261,953 S	*	11/1981	Aronowitz et al.	D6/364
D261,954 S	*	11/1981	Aronowitz et al.	D6/364
D261,955 S	*	11/1981	Aronowitz et al.	D6/364

D262,163 S	*	12/1981	Aronowitz et al.	D6/364
D262,164 S	*	12/1981	Aronowitz et al.	D6/364
D262,166 S	*	12/1981	Aronowitz et al.	D6/378
D262,421 S	*	12/1981	Aronowitz et al.	D6/364
D264,027 S	*	4/1982	Aronowitz et al.	D6/364
D278,003 S	*	3/1985	Gagliano	D6/336
D284,142 S	*	6/1986	Raftery	D6/334
D336,377 S	*	6/1993	Gibson	D6/334
D384,827 S	*	10/1997	Hutton	D6/334
D433,825 S	*	11/2000	Piretti	D6/334
D469,968 S	*	2/2003	Van Den Reek	D6/370
D488,315 S	*	4/2004	Natuzzi	D6/381
D497,496 S	*	10/2004	Stewart	D6/670
D497,737 S	*	11/2004	Stewart	D6/670

(Continued)

Primary Examiner — Sandra Snapp

(74) *Attorney, Agent, or Firm* — Schmeiser, Olsen & Watts, LLP

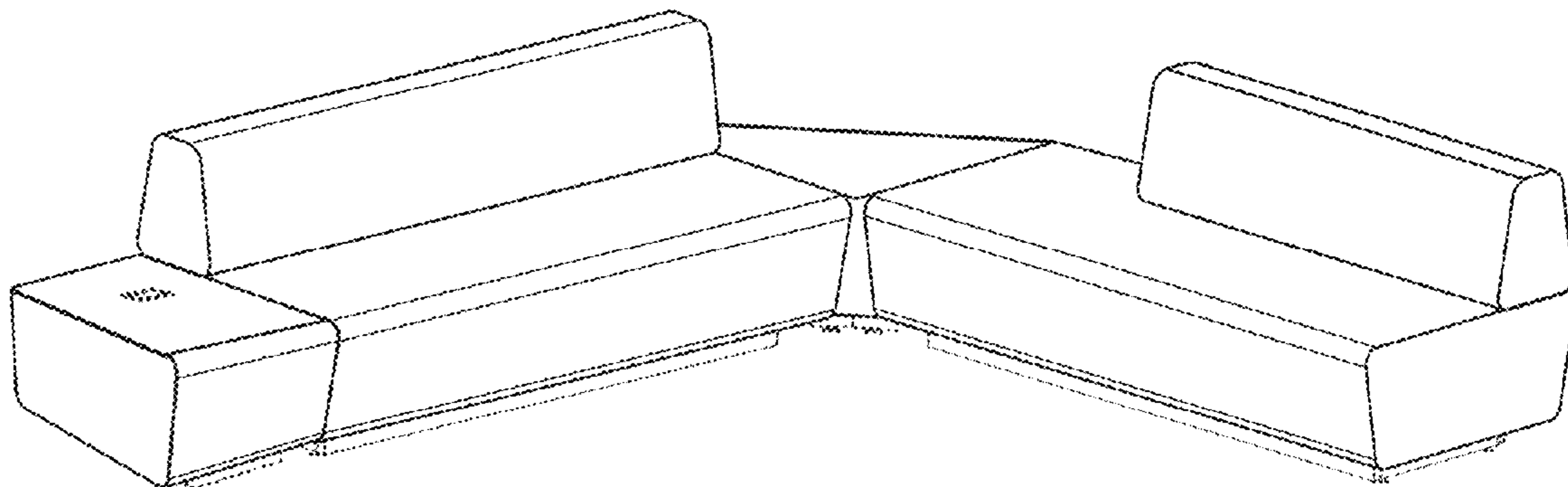
(57) **CLAIM**

I claim the ornamental design for a modular sofa, as shown and described.

DESCRIPTION

FIG. 1 is a perspective view of a first embodiment of the present invention showing a modular sofa;
FIG. 2 is a top plan view thereof;
FIG. 3 is a left side elevation view thereof;
FIG. 4 is a right side elevation view thereof;
FIG. 5 is a rear perspective view thereof;
FIG. 6 is a bottom plan view thereof;
FIG. 7 is a perspective view of a second embodiment of the present invention showing a modular sofa;
FIG. 8 is a top plan view thereof;
FIG. 9 is a left side elevation view thereof;
FIG. 10 is a right side elevation view thereof;
FIG. 11 is a rear perspective view thereof; and,
FIG. 12 is a bottom plan view thereof.
The broken lines in the figures show unclaimed detail.

1 Claim, 12 Drawing Sheets



(56)

References Cited

U.S. PATENT DOCUMENTS

D519,296 S *	4/2006	Ghetti	D6/381	D609,034 S *	2/2010	Lissoni	D6/716
D526,803 S *	8/2006	Lee	D6/381	D624,328 S *	9/2010	Grandin et al.	D6/381
D537,264 S *	2/2007	Warren	D6/381	D639,083 S *	6/2011	Martin	D6/381
D542,555 S *	5/2007	Ghetti	D6/381	D657,155 S *	4/2012	Grandin et al.	D6/381
D545,070 S *	6/2007	Hutton	D6/334	D657,964 S *	4/2012	Amini	D6/334
D549,482 S *	8/2007	Natuzzi	D6/381	D662,733 S *	7/2012	Metcalf et al.	D6/717
7,287,816 B1 *	10/2007	Karl	297/452.17	D668,892 S *	10/2012	Metcalf et al.	D6/717
D567,527 S *	4/2008	Galardo	D6/381	D675,453 S *	2/2013	Blet et al.	D6/335
D577,211 S *	9/2008	Natuzzi	D6/334	D677,477 S *	3/2013	Agati et al.	D6/336
D586,590 S *	2/2009	Schweikarth et al.	D6/716	D699,460 S *	2/2014	Bosman	D6/371
D600,467 S *	9/2009	Natuzzi	D6/381	D699,461 S *	2/2014	Bosman	D6/371
D602,701 S *	10/2009	Martin et al.	D6/334	D717,552 S *	11/2014	Baraldi et al.	D6/334
				D717,553 S *	11/2014	Baraldi et al.	D6/334
				D728,947 S *	5/2015	Schweikarth	D6/336
				D731,192 S *	6/2015	Sorel	D6/338

* cited by examiner

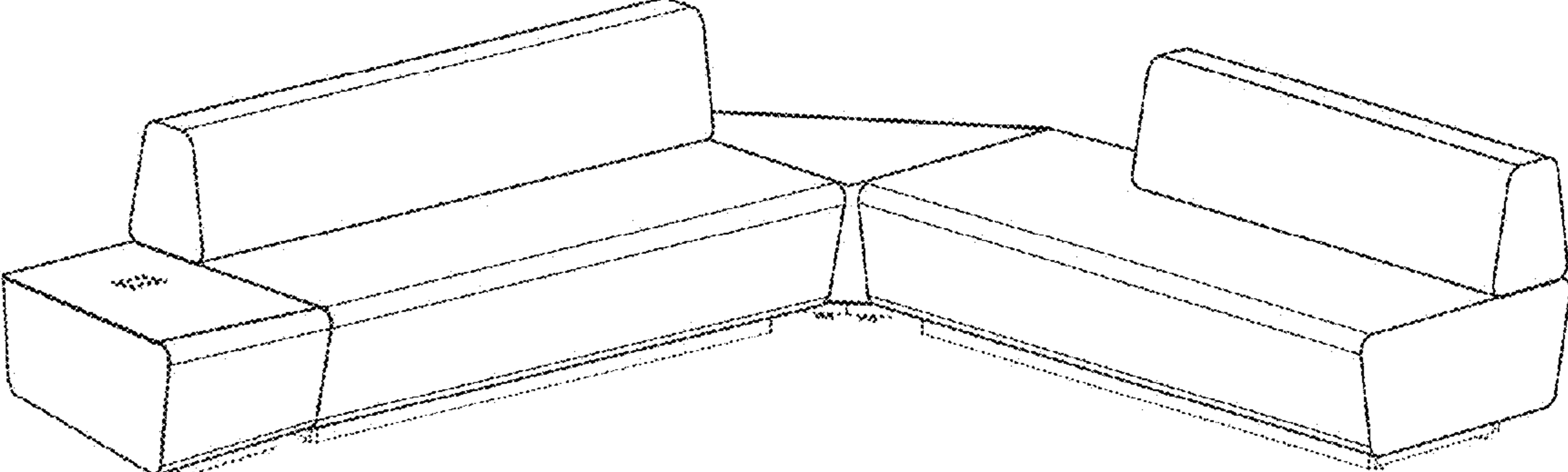


FIG. 1

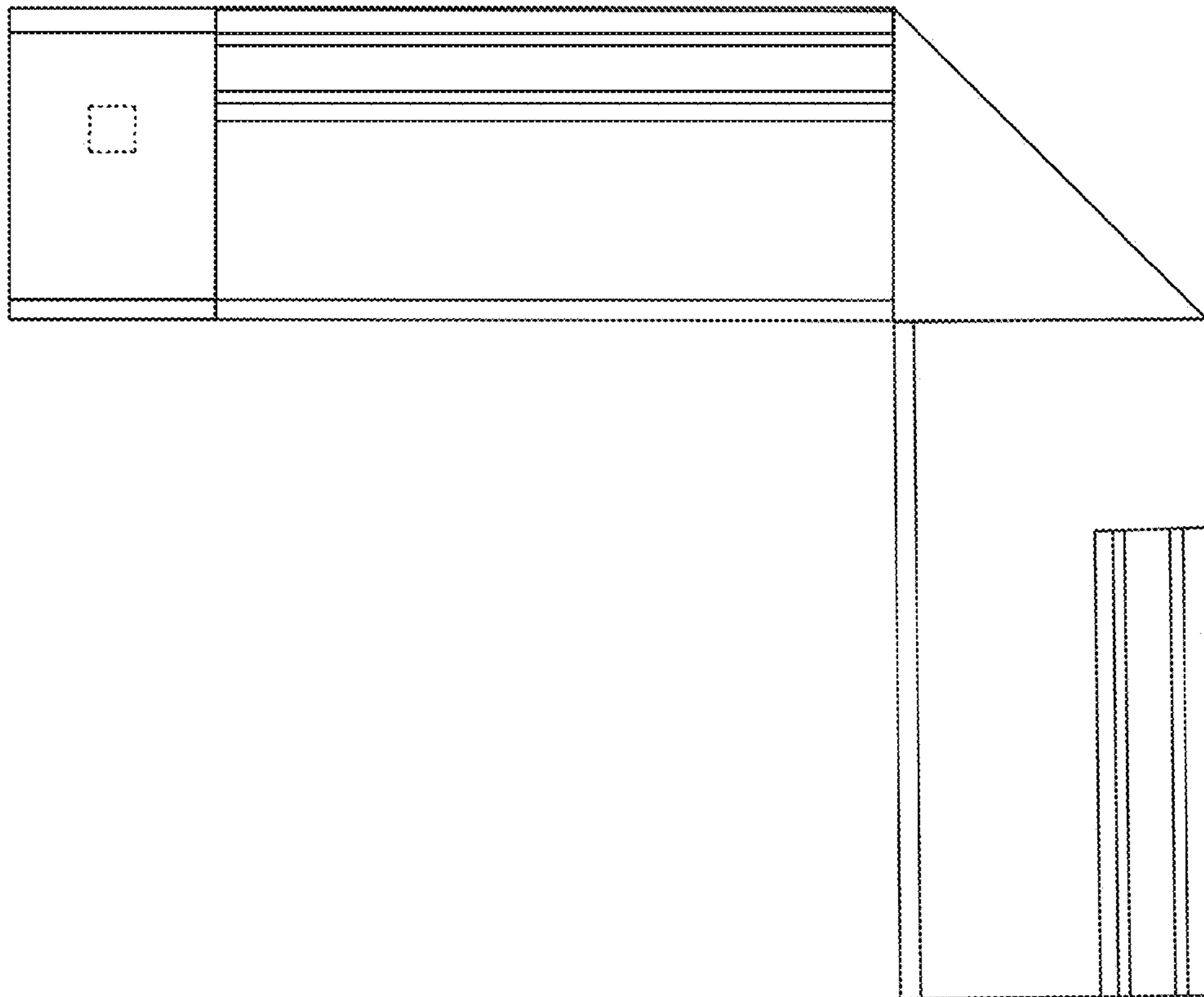


FIG. 2

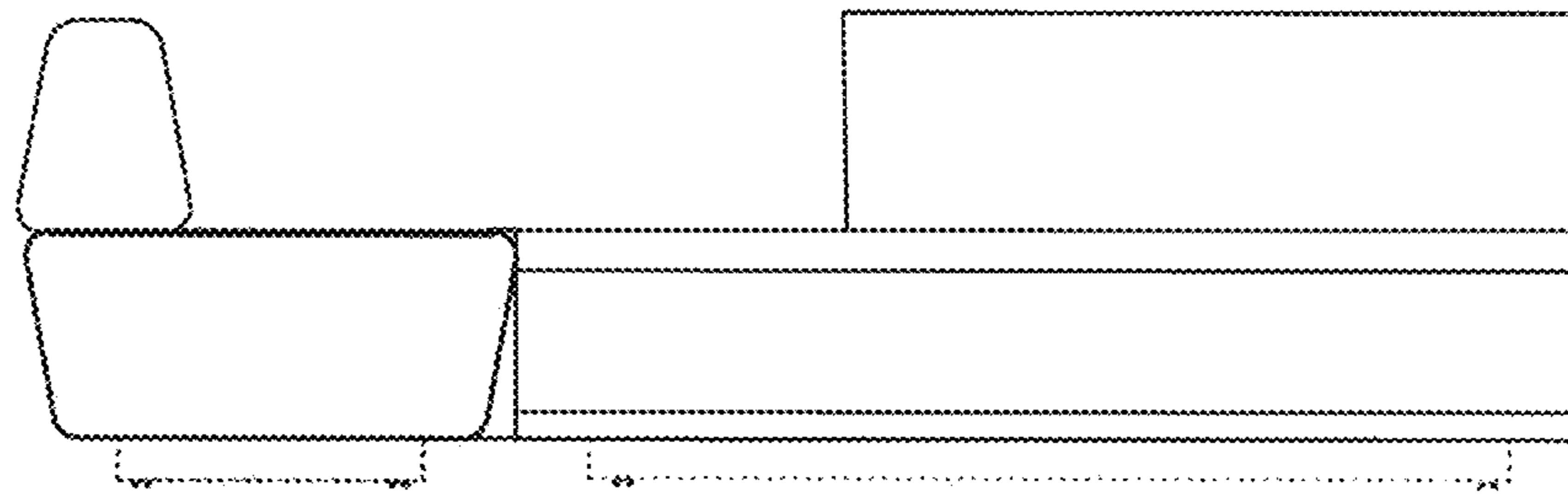


FIG. 3

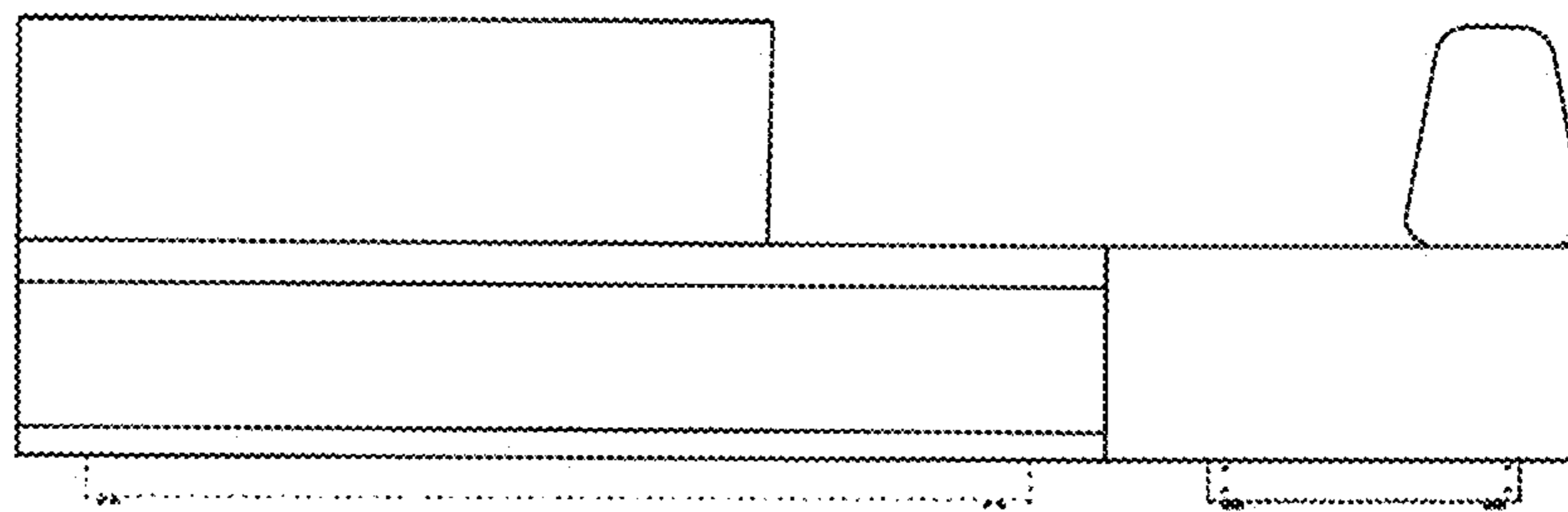


FIG. 4

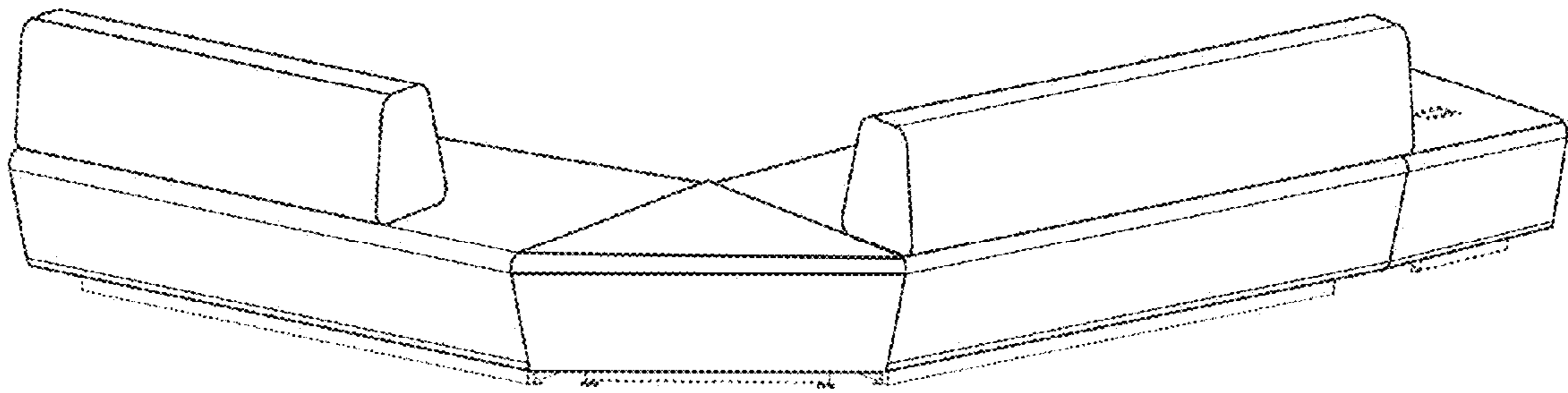


FIG. 5

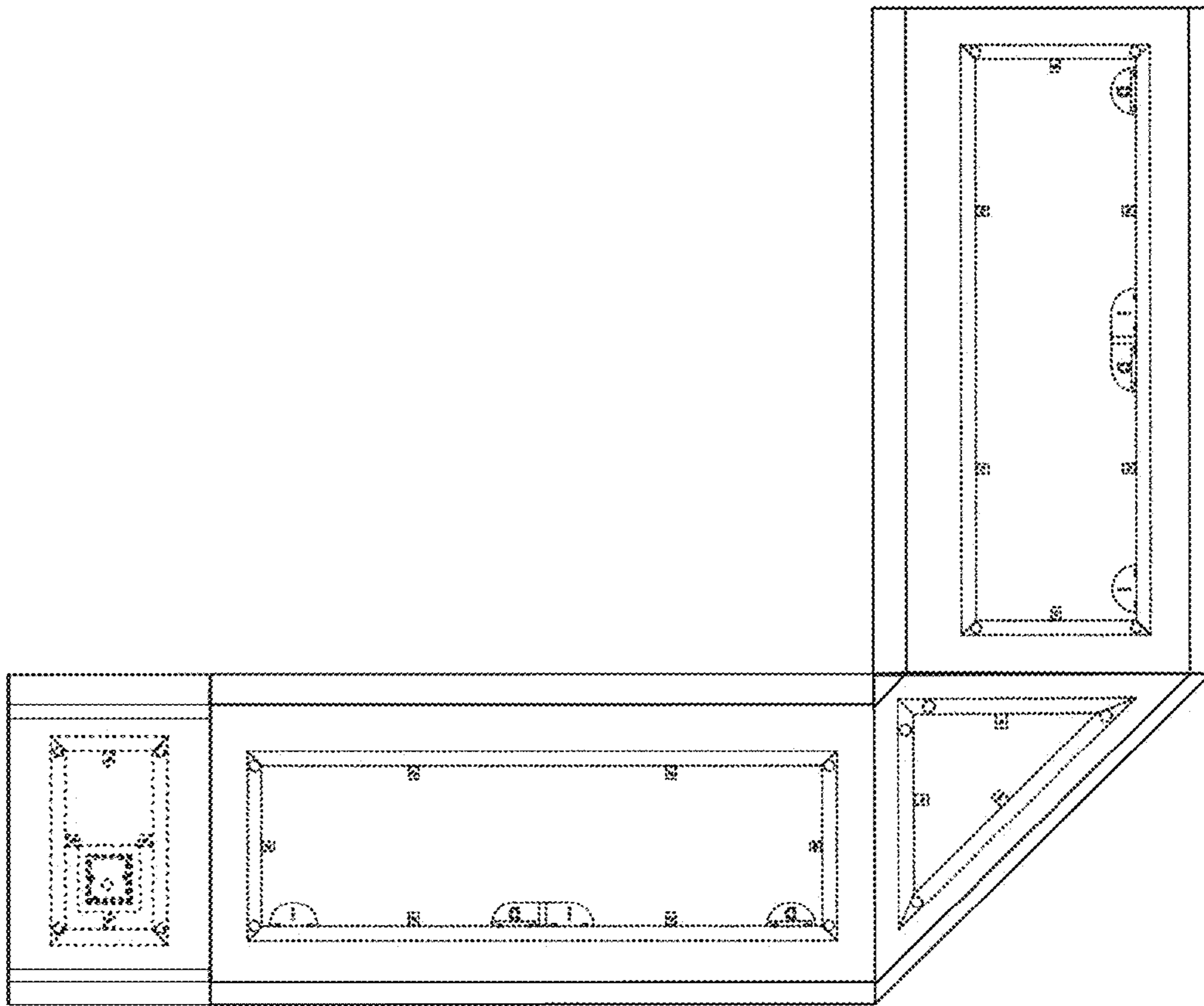


FIG. 6

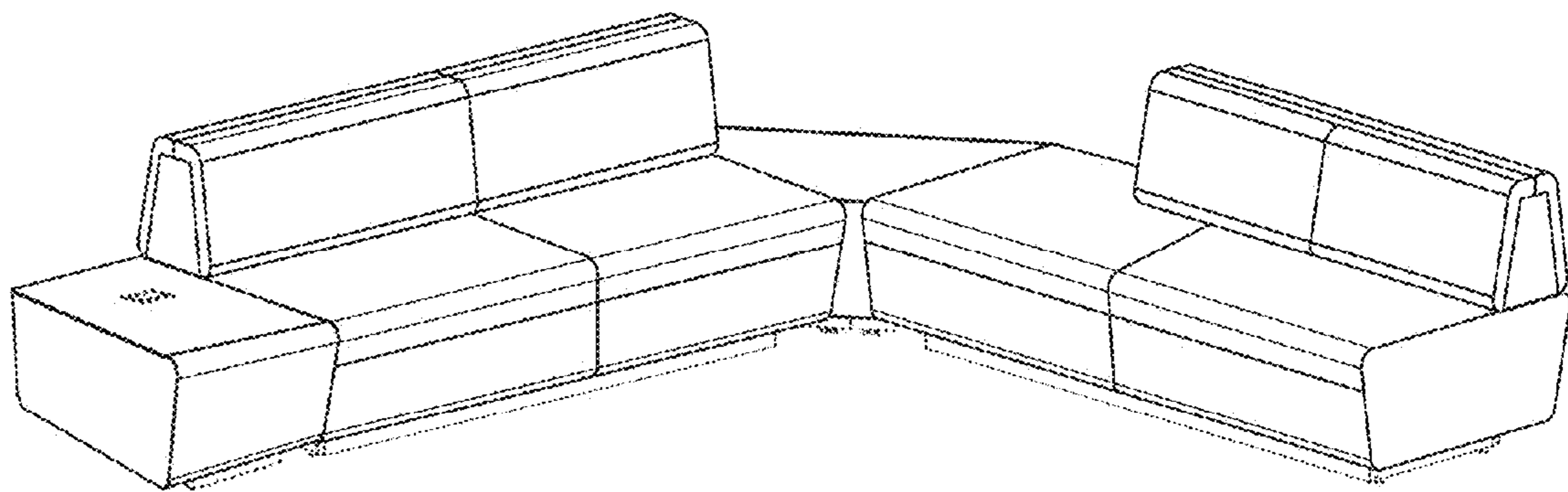


FIG. 7

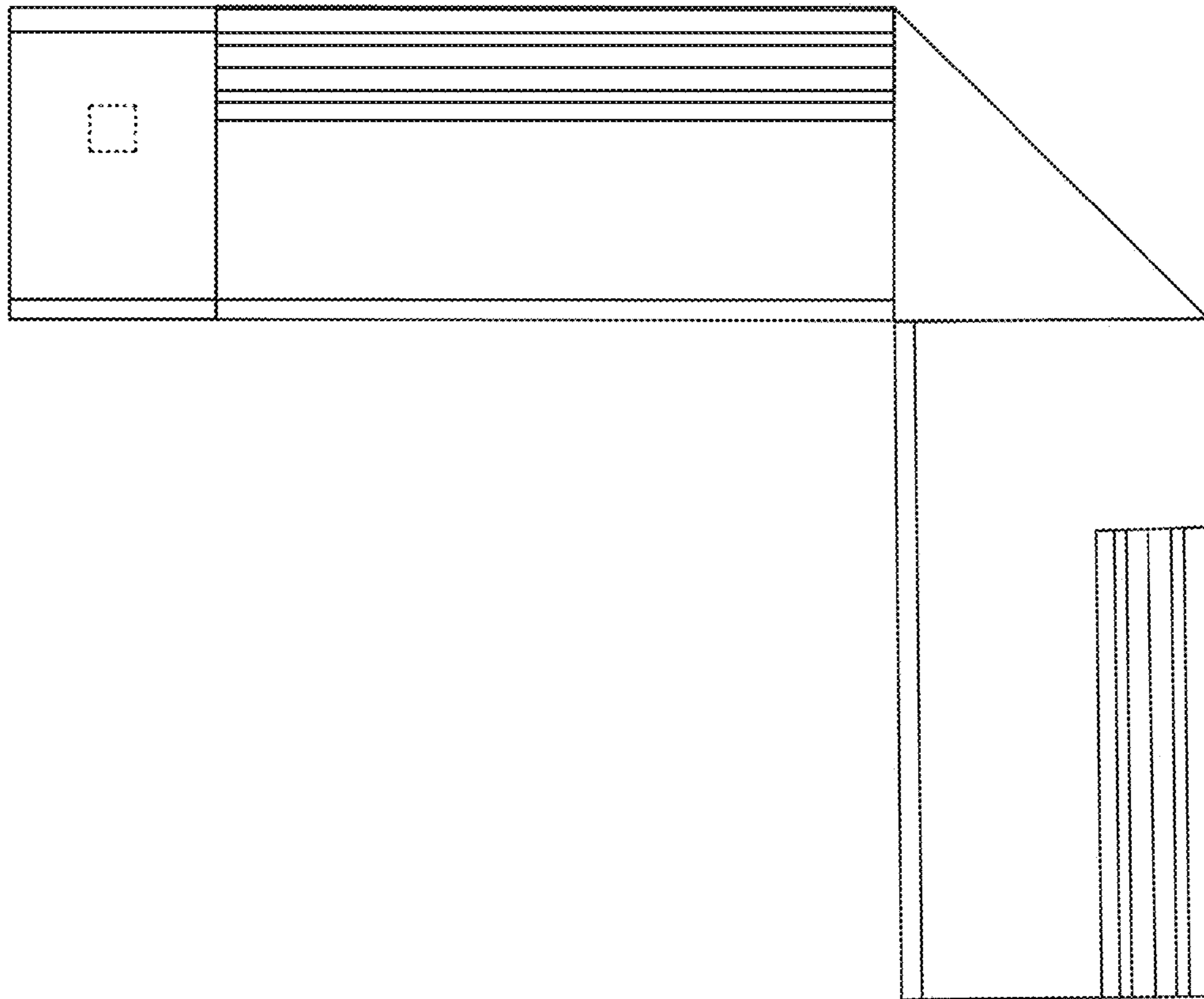


FIG. 8

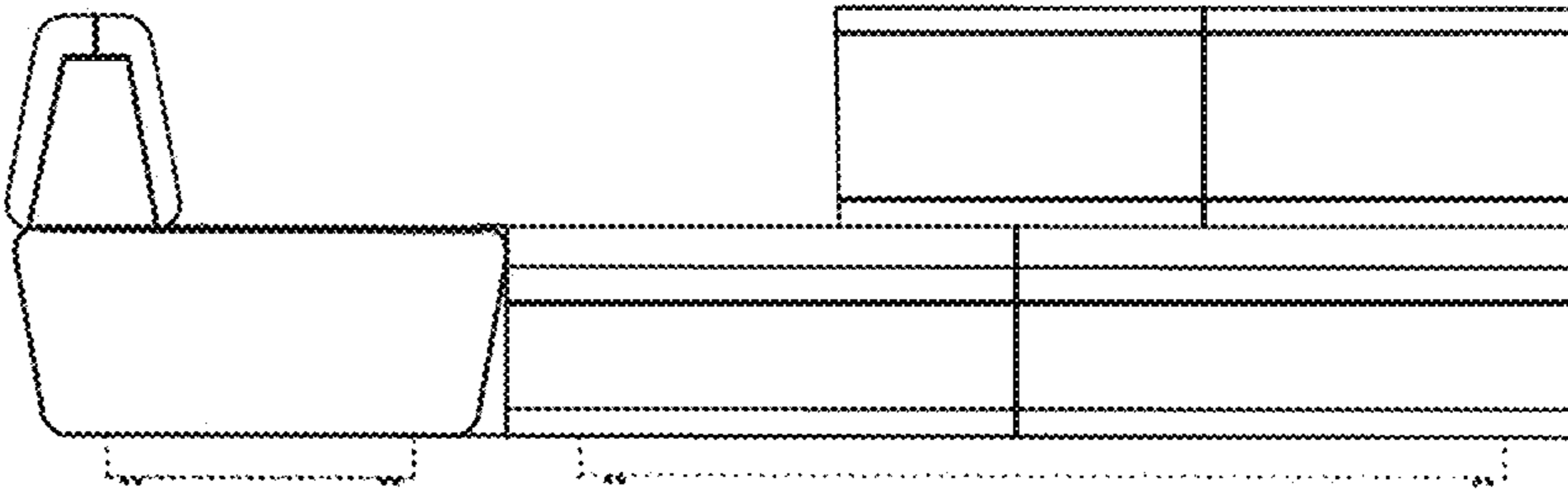


FIG. 9

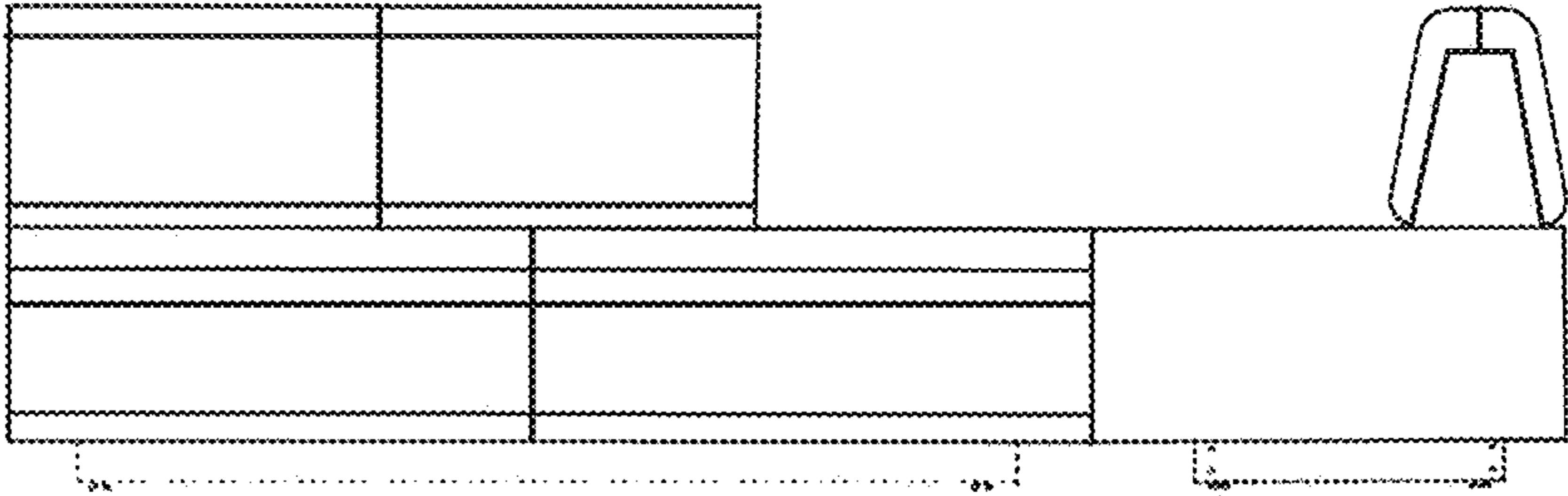


FIG. 10

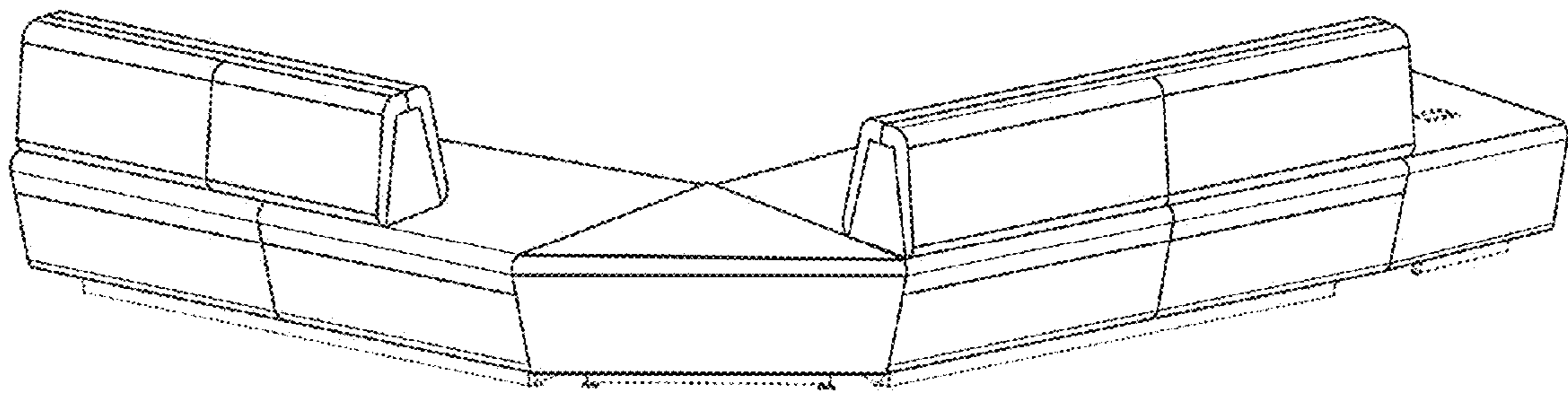


FIG. 11

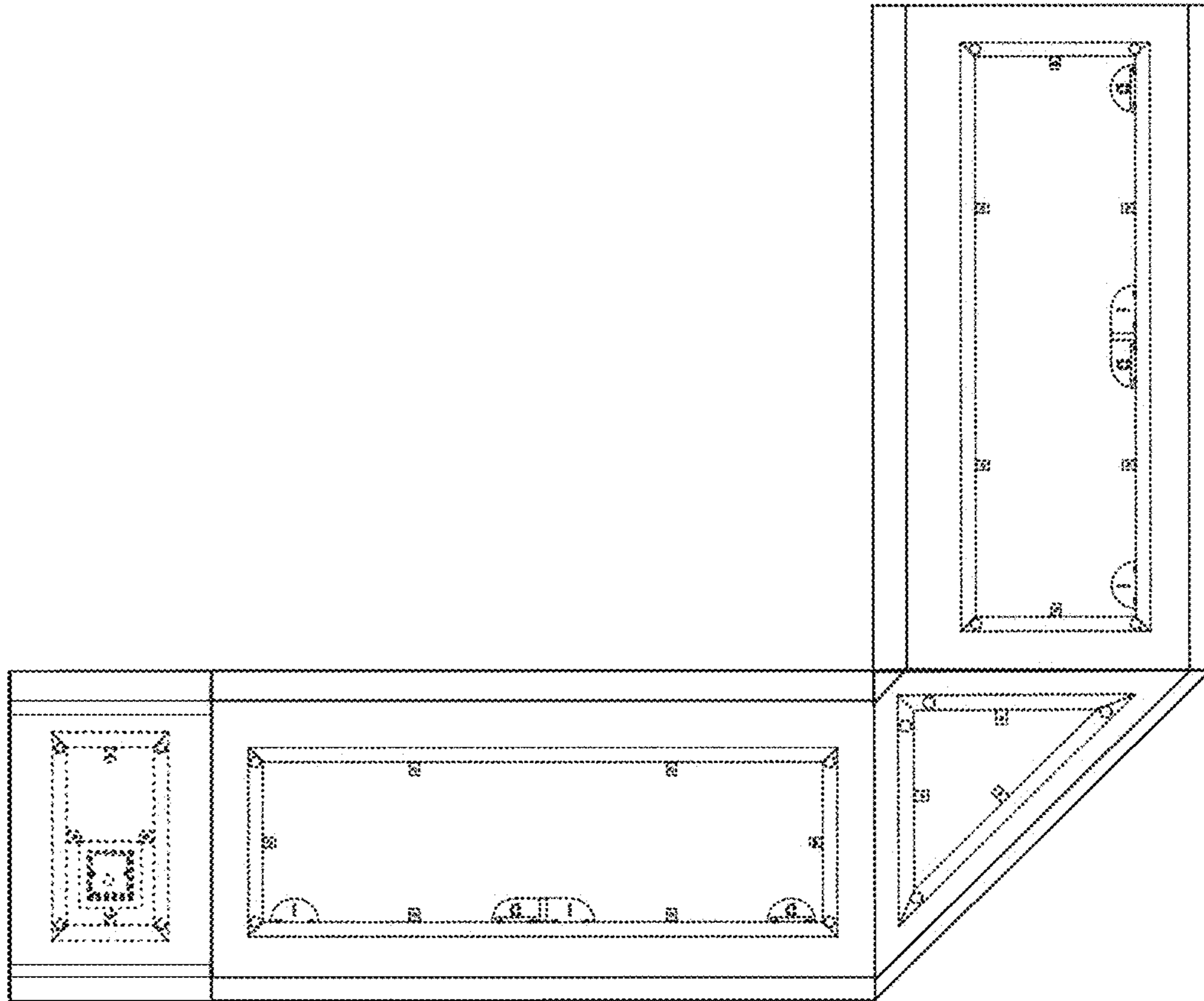


FIG. 12