



US00D743178S

(12) **United States Design Patent**
Amilibia Irazusta

(10) **Patent No.:** **US D743,178 S**
(45) **Date of Patent:** **** Nov. 17, 2015**

- (54) **PONTOON**
- (71) Applicant: **ASTILLEROS AMILIBIA**
UNTZIOLAK, S.L., Aia-Orio
(Giouzkoa) (ES)
- (72) Inventor: **Ainhoa Amilibia Irazusta**, Aia-Orio
(ES)
- (73) Assignee: **ASTILLEROS AMILIBIA**
UNTZIOLAK, S.L., Aia-Orio
(Guipuzkoa) (ES)
- (**) Term: **14 Years**
- (21) Appl. No.: **29/497,677**
- (22) Filed: **Jul. 28, 2014**
- (51) **LOC (10) Cl.** **12-06**
- (52) **U.S. Cl.**
USPC **D6/316**
- (58) **Field of Classification Search**
USPC D3/304, 305, 310, 311, 315, 306;
D6/403, 404, 405, 556, 557, 558;
D7/560, 561, 562, 565, 584, 585, 586,
D7/587, 588; D9/424, 428, 429;
D11/143-156, 164; D12/316, 317;
114/263
CPC A01G 9/00; A01G 9/003; A01G 9/02;
A01G 9/021; A01G 9/022; A01G 9/026;
A01G 9/104; A01G 9/027; A01G 9/028;
A01G 9/023; B63B 35/34; B63B 35/36;
B63B 35/38; B63B 35/44; B63C 1/02; B63C
1/04; E02B 3/064
See application file for complete search history.

- (56) **References Cited**
U.S. PATENT DOCUMENTS
2,876,728 A * 3/1959 Luger 114/61.18
2,879,735 A * 3/1959 Pointer 114/266
3,659,540 A * 5/1972 Toby et al. 114/266
4,070,980 A * 1/1978 Shorter, Jr. 114/263

4,078,515 A *	3/1978	Svirklys	114/266
4,559,891 A *	12/1985	Shorter, Jr.	114/263
5,199,371 A *	4/1993	Meriwether	114/267
D359,930 S *	7/1995	Tuttle	D11/155
5,845,594 A *	12/1998	Hallsten et al.	114/263
D405,044 S *	2/1999	Dietlin	D12/316
6,085,462 A *	7/2000	Thomas	47/87
D495,621 S *	9/2004	Sikina	D11/155
7,086,345 B2 *	8/2006	Moses	114/263
7,273,018 B2 *	9/2007	Strong	114/266
7,784,419 B2 *	8/2010	Bigler et al.	114/263
D624,335 S *	9/2010	Lutz et al.	D6/480
7,845,300 B1 *	12/2010	Stroud	114/263
7,883,294 B1 *	2/2011	Licina	405/218
8,091,500 B2 *	1/2012	Stroud	114/263
8,402,908 B2 *	3/2013	Gerst et al.	114/263
8,739,726 B2 *	6/2014	Mann et al.	114/263
D708,983 S *	7/2014	Wolfenden	D11/143
D719,055 S *	12/2014	Tyink	D11/143
9,056,660 B2 *	6/2015	Mann et al.	
2004/0255513 A1 *	12/2004	Becker	47/65.9
2007/0209277 A1 *	9/2007	Schuck et al.	47/59 R
2011/0179985 A1 *	7/2011	Anderson	114/61.1
2013/0298463 A1 *	11/2013	Ke	47/79

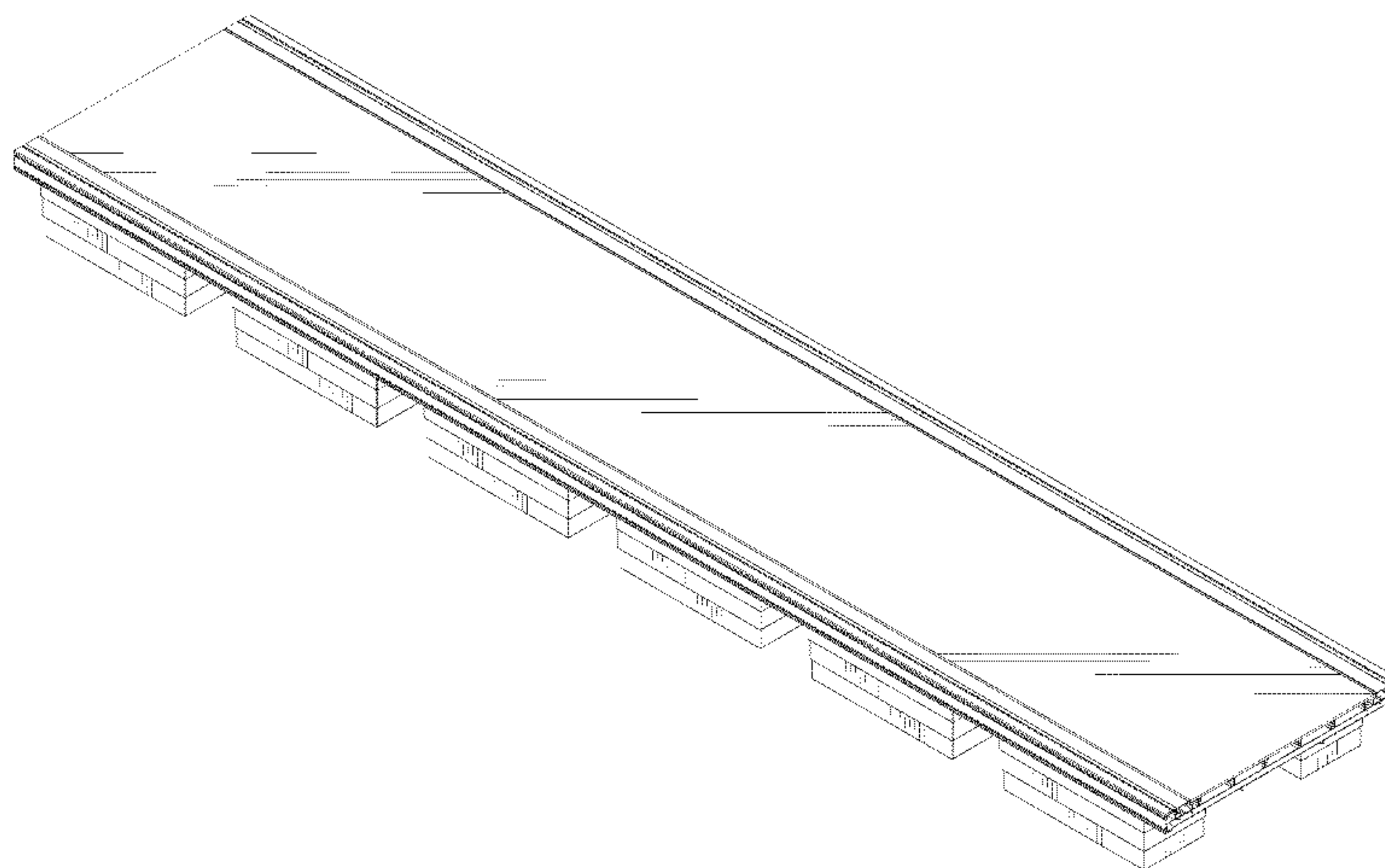
* cited by examiner

Primary Examiner — Elizabeth Albert
(74) *Attorney, Agent, or Firm* — Lucas & Mercanti, LLP

(57) **CLAIM**
The ornamental design for a pontoon, substantially as shown and described.

DESCRIPTION
FIG. 1 is a perspective view of a pontoon;
FIG. 2 is a front view thereof;
FIG. 3 is an enlarged left-side view thereof;
FIG. 4 is a top view thereof;
FIG. 5 is a back view thereof;
FIG. 6 is an enlarged right-side view thereof; and,
FIG. 7 is a bottom view thereof.
The broken lines showing portions of the bottom in FIG. 7 are included to show features that form no part of the claimed design.

1 Claim, 7 Drawing Sheets



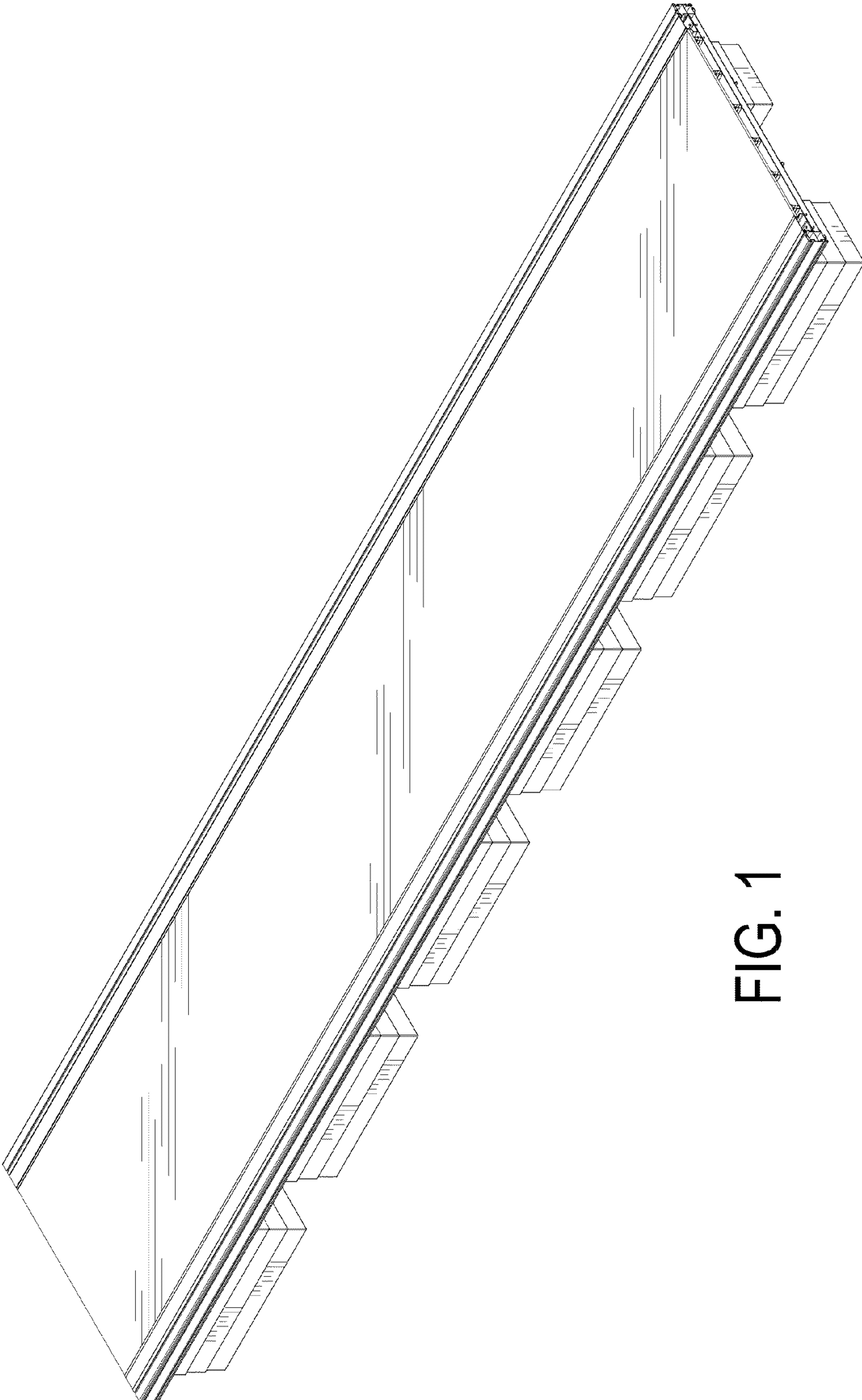


FIG. 1

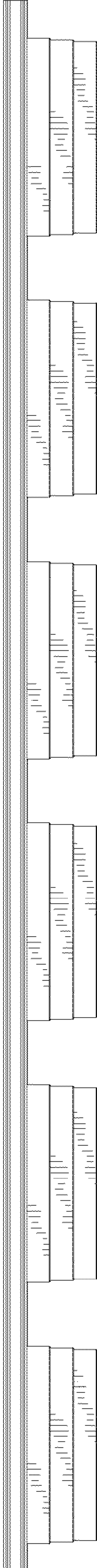


FIG. 2

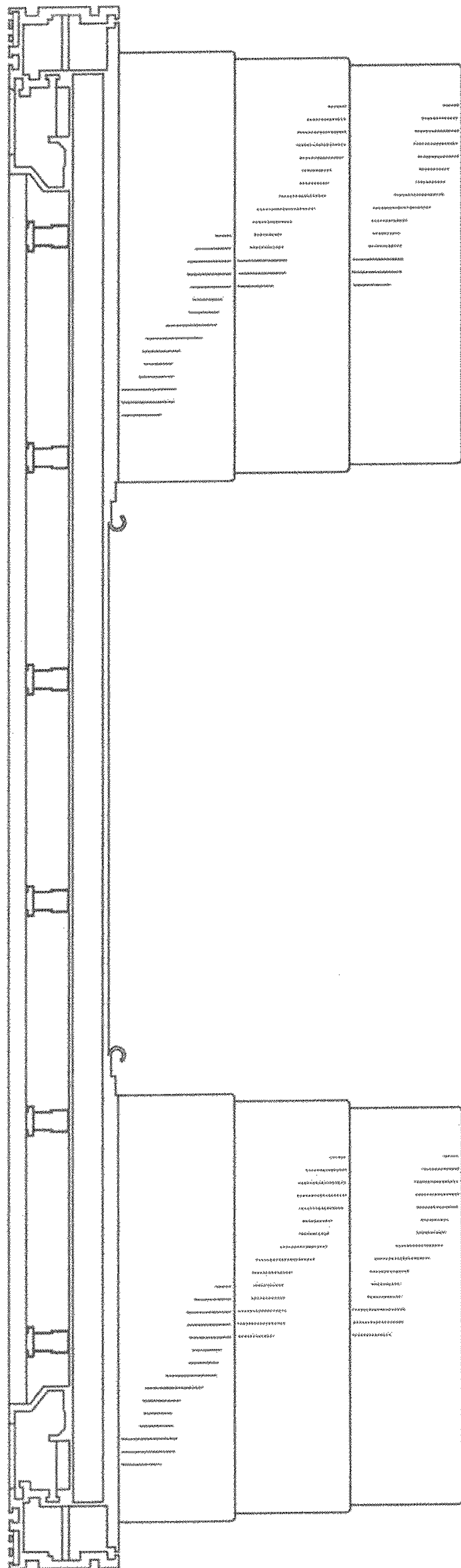


FIG. 3

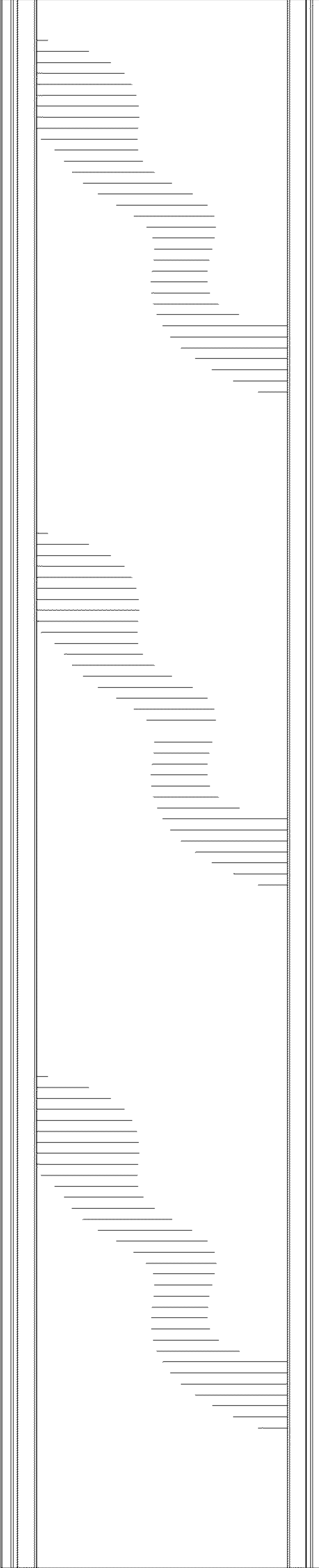


FIG. 4

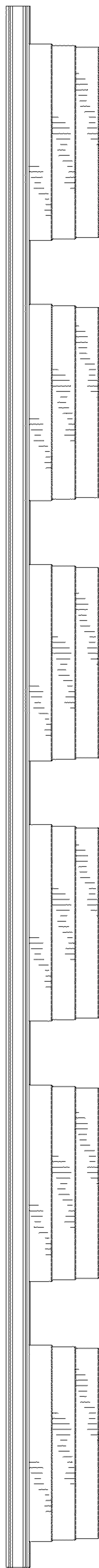


FIG. 5

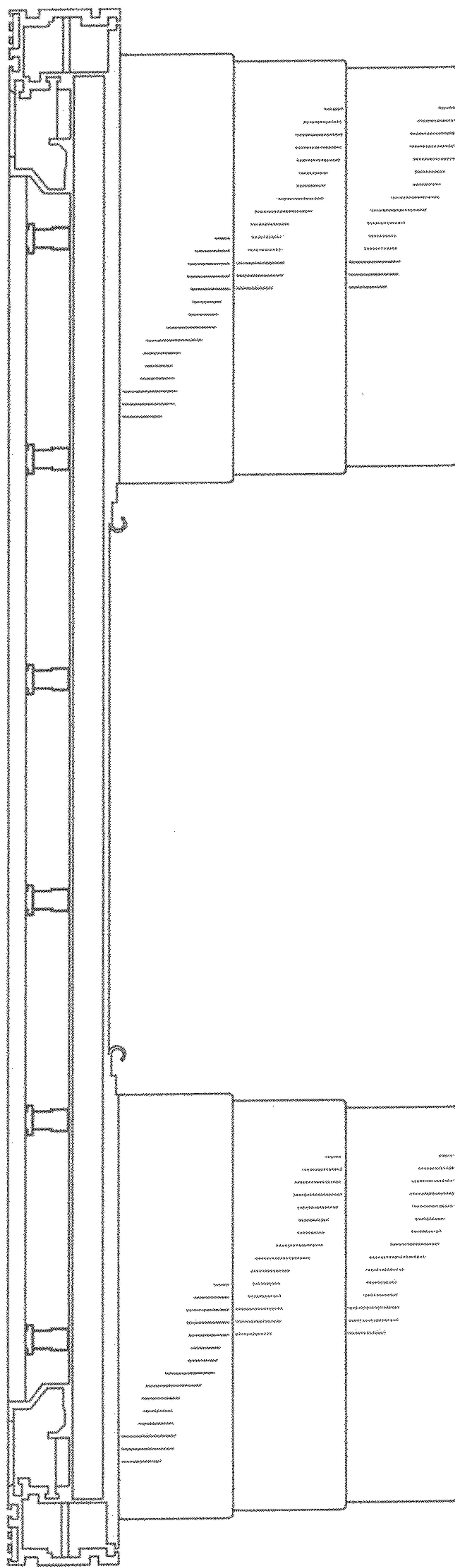


FIG. 6

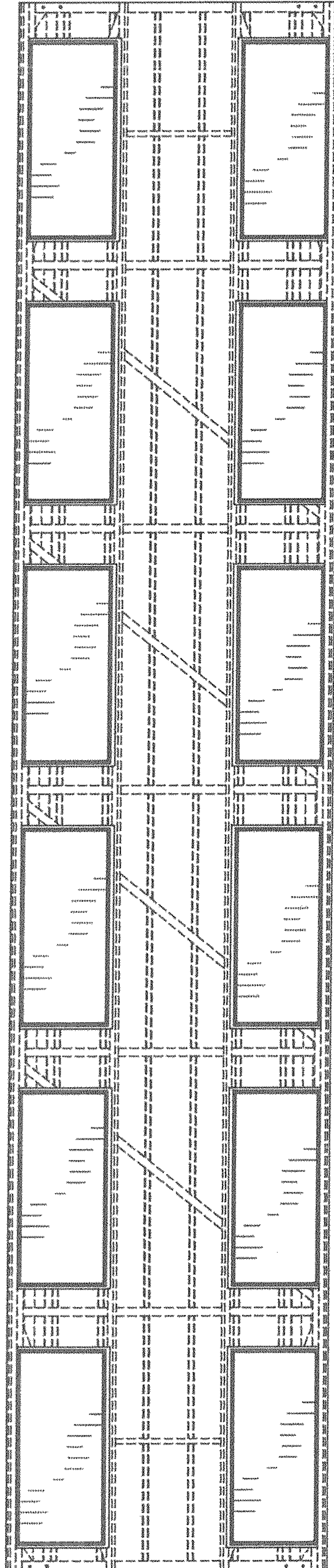


FIG. 7