



US00D743176S

(12) **United States Design Patent**
Eyring et al.

(10) **Patent No.:** **US D743,176 S**
(45) **Date of Patent:** **** Nov. 17, 2015**

(54) **WATER BROOM**

(71) Applicant: **Orbit Irrigation Products, Inc.**, North Salt Lake, UT (US)

(72) Inventors: **Stuart Eyring**, Bountiful, UT (US);
Jeffrey C. Thurgood, Syracuse, UT (US)

(73) Assignee: **Orbit Irrigation Products, Inc.**, North Salt Lake, UT (US)

(**) Term: **14 Years**

(21) Appl. No.: **29/445,788**

(22) Filed: **Feb. 15, 2013**

(51) **LOC (10) Cl.** **04-01**

(52) **U.S. Cl.**
USPC **D4/115**

(58) **Field of Classification Search**
USPC D4/115, 132, 114; D23/213; D32/15,
D32/35, 45; 15/146, 159.1, 160, 171;
239/754; 401/268, 270, 271, 284, 286,
401/289

CPC A46B 11/06; A46B 11/063; A46B 11/066;
A46B 2200/30; A46B 2200/302; B08B 3/02;
B08B 3/024; B08B 3/026; B08B 1/00; B08B
1/002; E01H 1/02; E01H 1/101; A47L
11/408; A47L 11/4088; A47L 13/26

See application file for complete search history.

(56) **References Cited**

U.S. PATENT DOCUMENTS

D243,610 S 3/1977 Craig
D244,532 S * 5/1977 Poston D32/15
4,083,495 A * 4/1978 Sharp 239/754
D250,826 S * 1/1979 Newman D32/15
4,200,236 A * 4/1980 Briar 15/361
D321,574 S * 11/1991 Shevers et al. D32/15

D404,923 S * 2/1999 Diaz D4/115
6,413,002 B1 * 7/2002 Delaine, Jr. 401/289
7,217,053 B2 * 5/2007 Alexander et al. 401/139
2013/0031736 A1 * 2/2013 Martin 15/105

FOREIGN PATENT DOCUMENTS

CA 1162364 A * 2/1984
DE 29807640 U1 * 7/1998 A46B 11/063
GB 1160989 A * 8/1969

OTHER PUBLICATIONS

The Watersweeper™ The screen shot of the Web site by Hamson Manufacturing shown in Attachment A accompanying this submission was accessible at least by May 23, 2003.

(Continued)

Primary Examiner — Melanie H Tung
Assistant Examiner — Lavone D Tabor

(74) *Attorney, Agent, or Firm* — Austin Rapp & Hardman

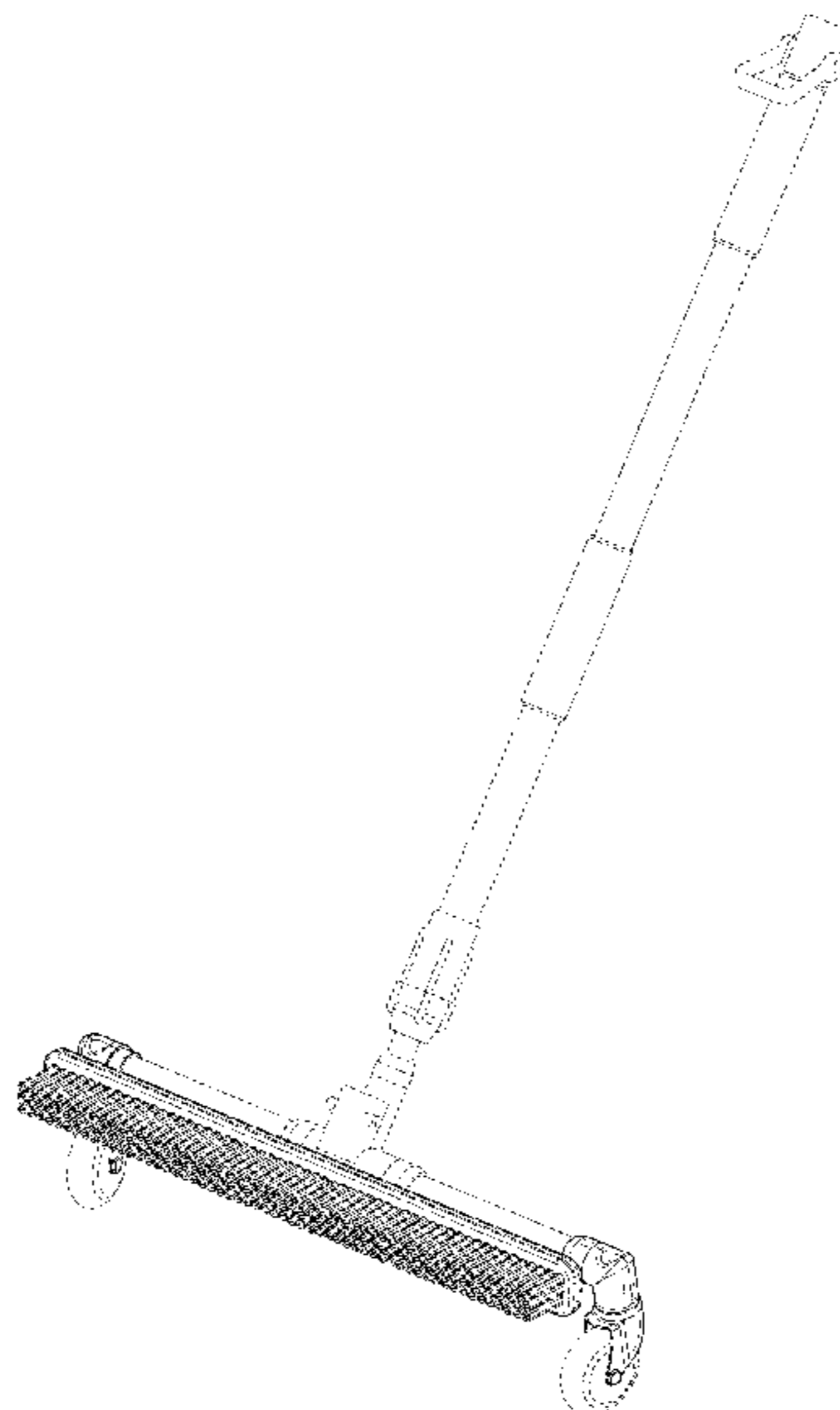
(57) **CLAIM**

The ornamental design for a water broom, as shown and described.

DESCRIPTION

FIG. 1 is an elevated perspective view of a water broom, according to our new design;
FIG. 2 is a front view of the water broom shown in FIG. 1;
FIG. 3 is a first side view of the water broom shown in FIG. 1;
FIG. 4 is a second side view of the water broom shown in FIG. 1;
FIG. 5 is a rear view of the water broom shown in FIG. 1;
FIG. 6 is a top view of the water broom shown in FIG. 1; and,
FIG. 7 is a bottom view of the water broom shown in FIG. 1.
The portions shown in broken lines form no part of the claimed design.

1 Claim, 7 Drawing Sheets



(56)

References Cited

OTHER PUBLICATIONS

Watersweeper™ The product(s) shown in the images in Attachment A accompanying this submission were sold or offered by for sale by Hamson Manufacturing at least by Feb. 14, 2012.

The products shown in the images in Attachment B accompanying this submission were sold or offered by for sale by Orbit Irrigation

Products, Inc., at least by Feb. 14, 2012 (Auto Squeegee, Broom Set (Orbit Part No. 62113); Brush, Squeegee, Turret Wand (Orbit Part No. 58623); 7-pc telescoping wand w/18" brush (Orbit Part No. 58935); 3-pc car wash kit (Orbit Part No. 27390); 2-pc car wash kit (Orbit Part No. 27599); and 8-in-1 Yard wand (Orbit Part Nos. 27591, 58540, 58694, 58694D, 58694T, 62392)).

* cited by examiner

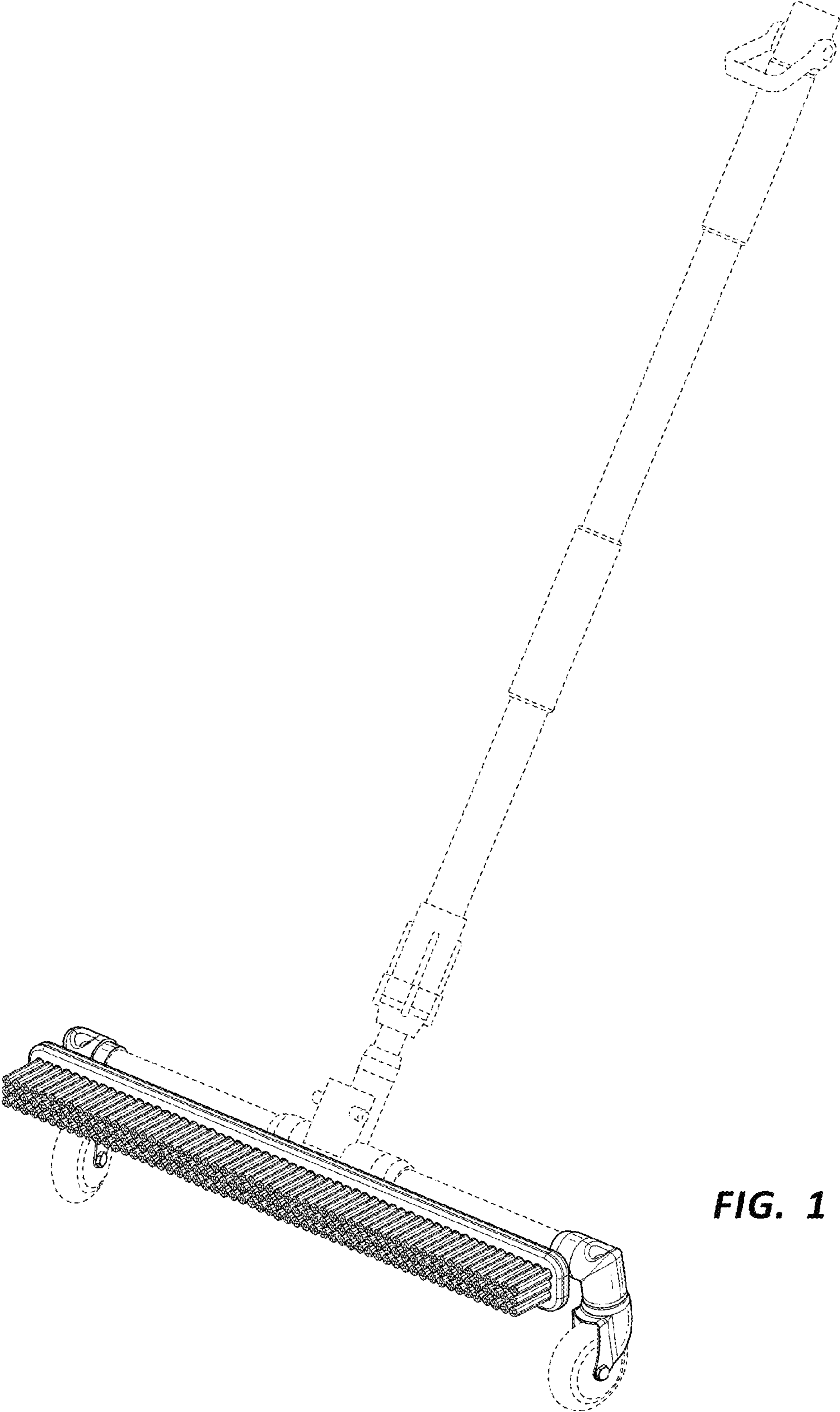


FIG. 1

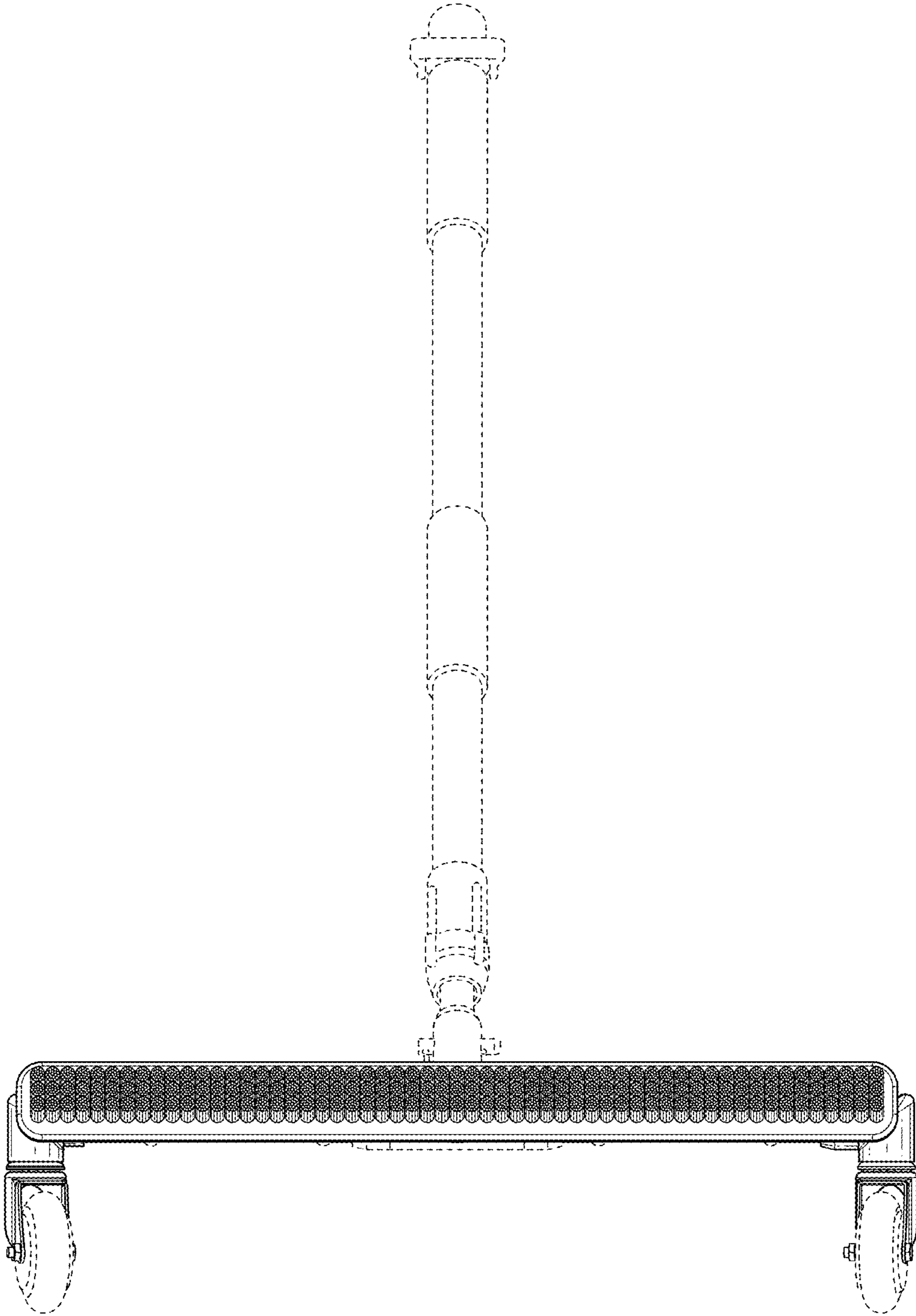


FIG. 2

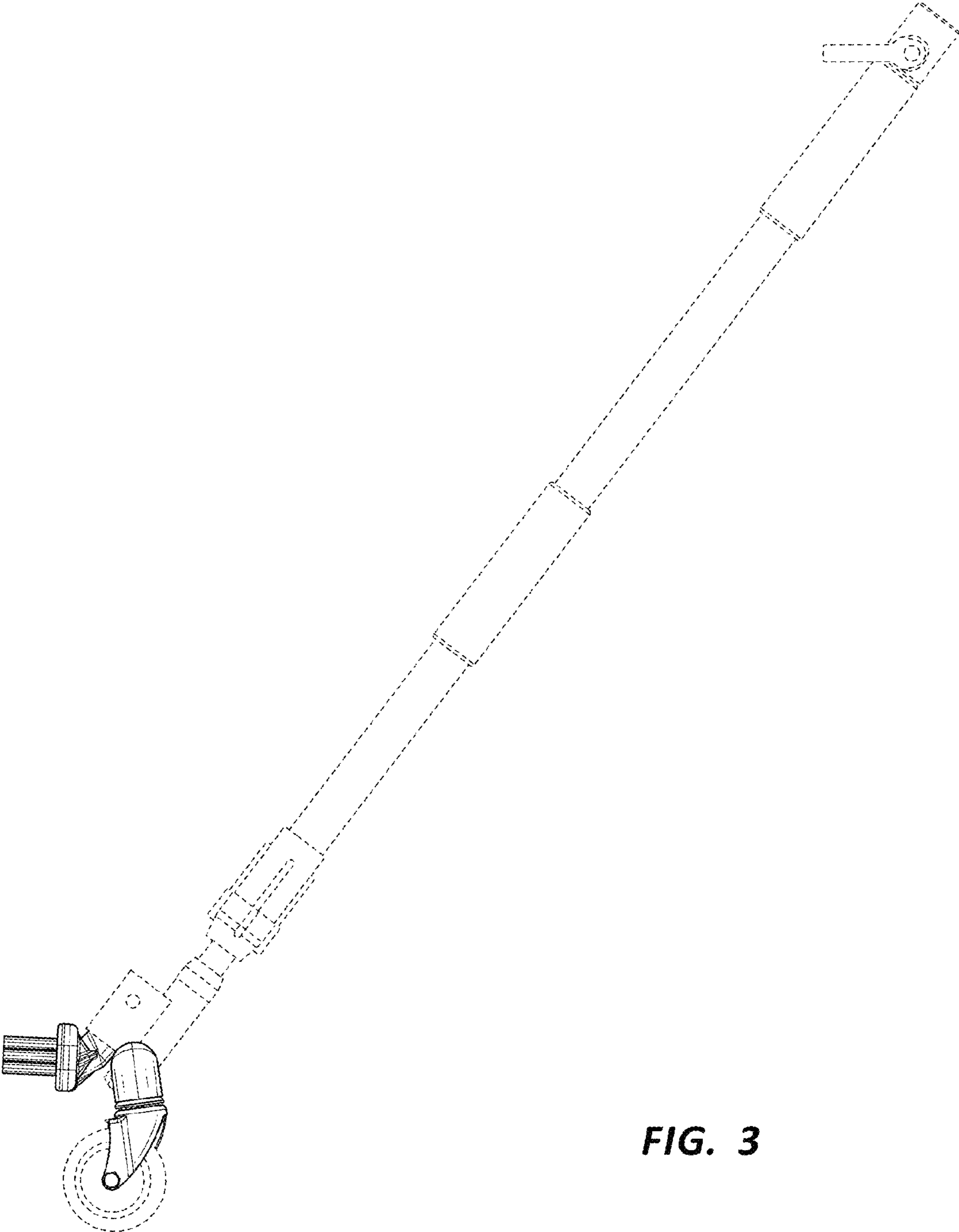


FIG. 3

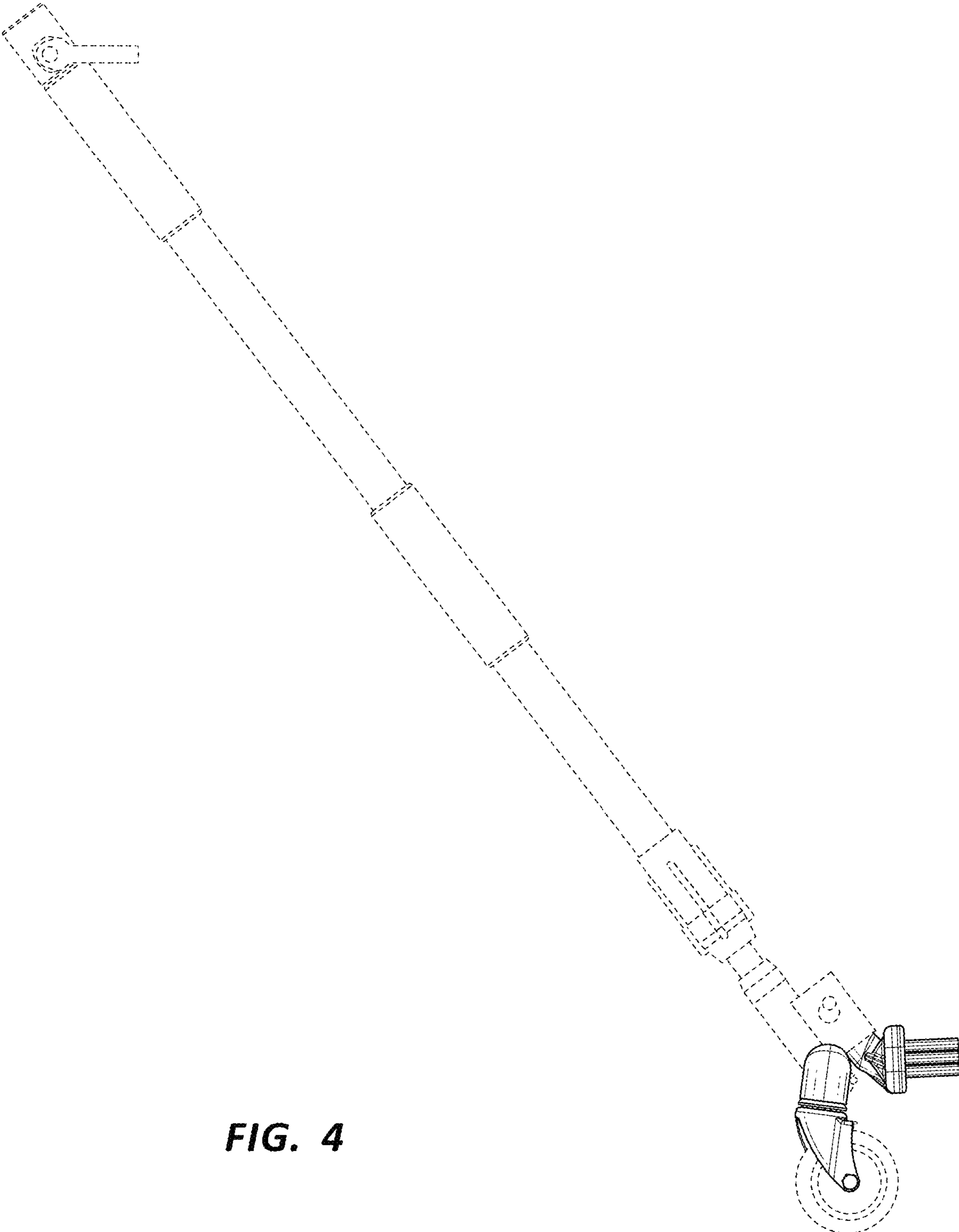


FIG. 4

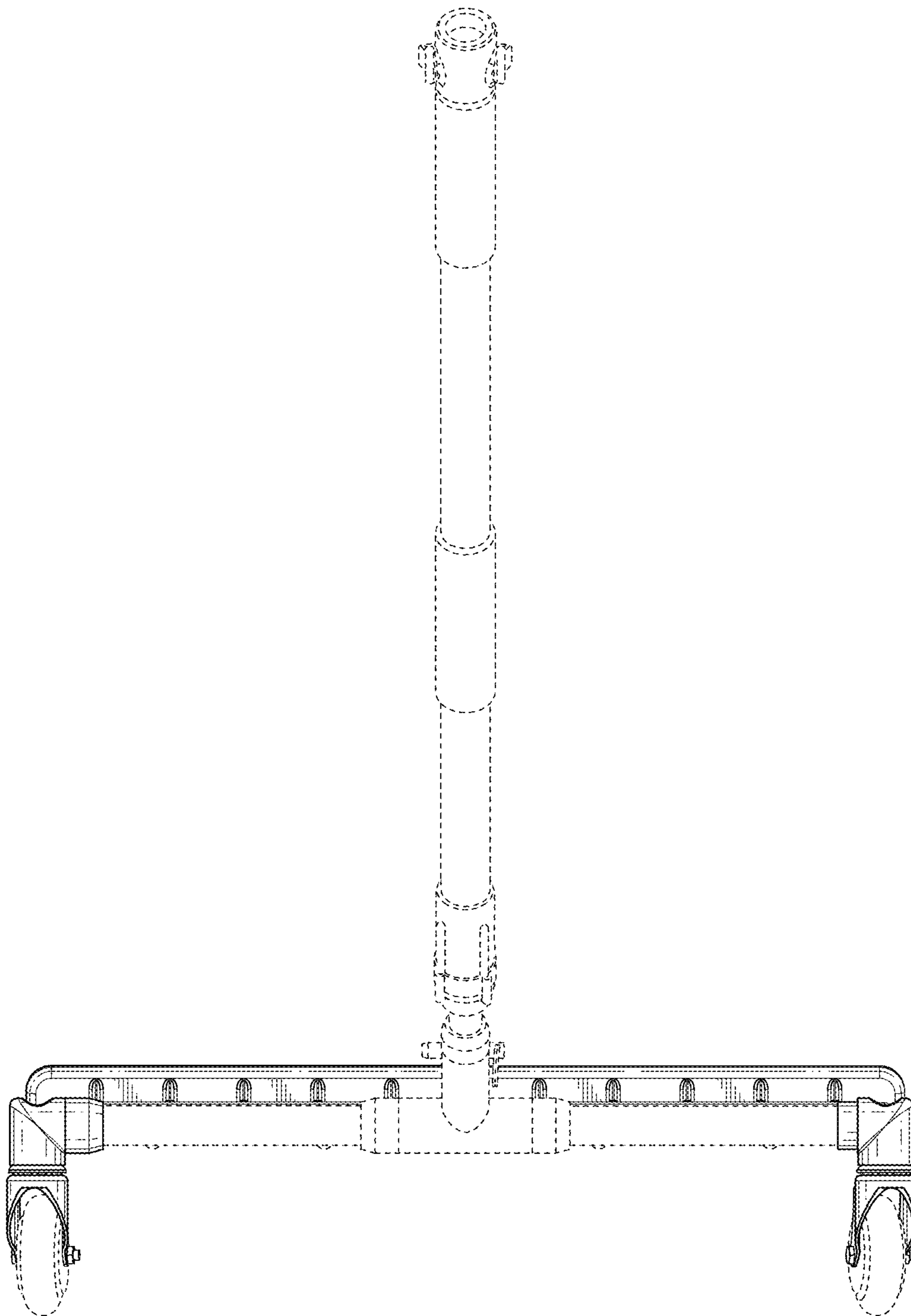


FIG. 5

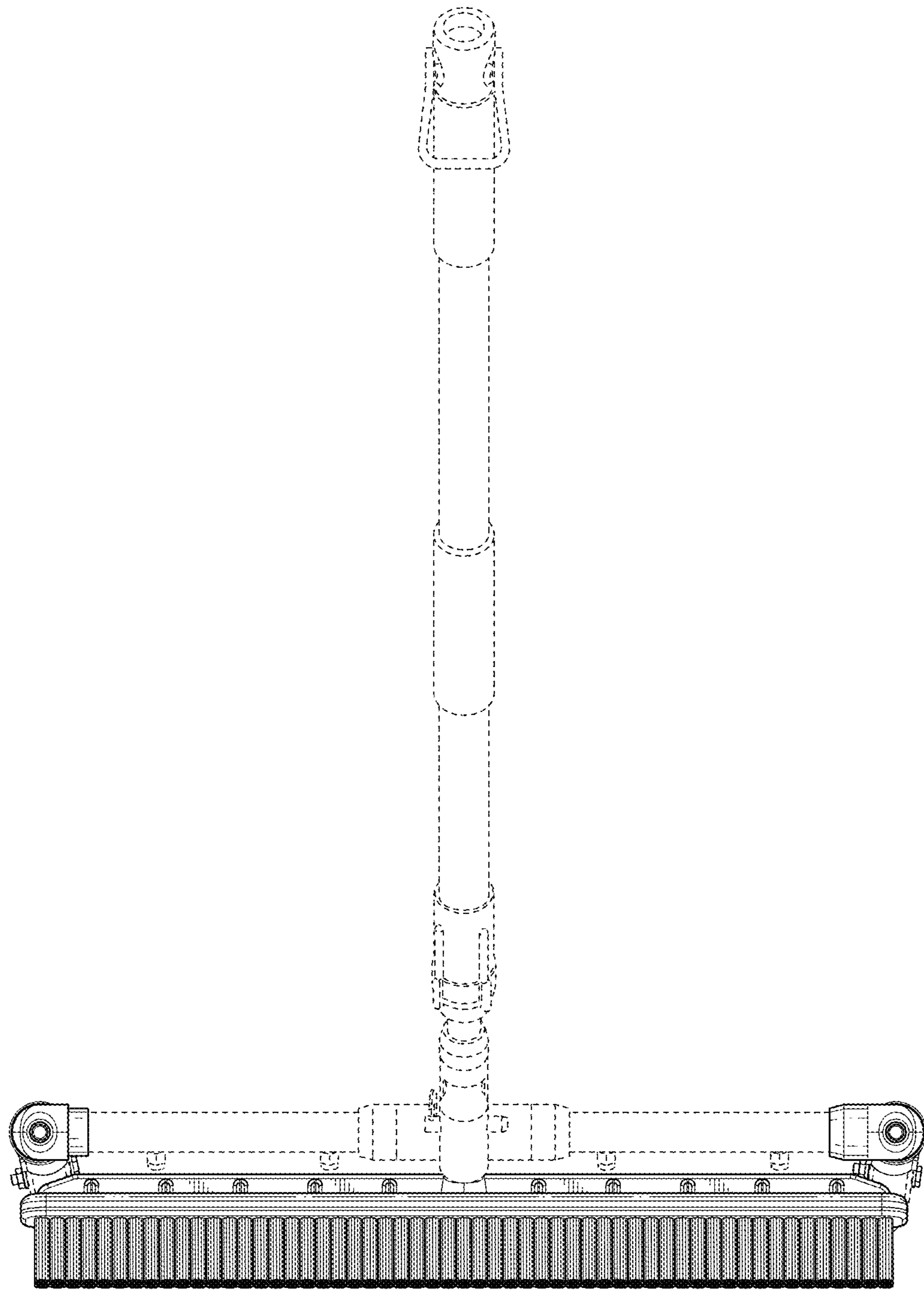


FIG. 6

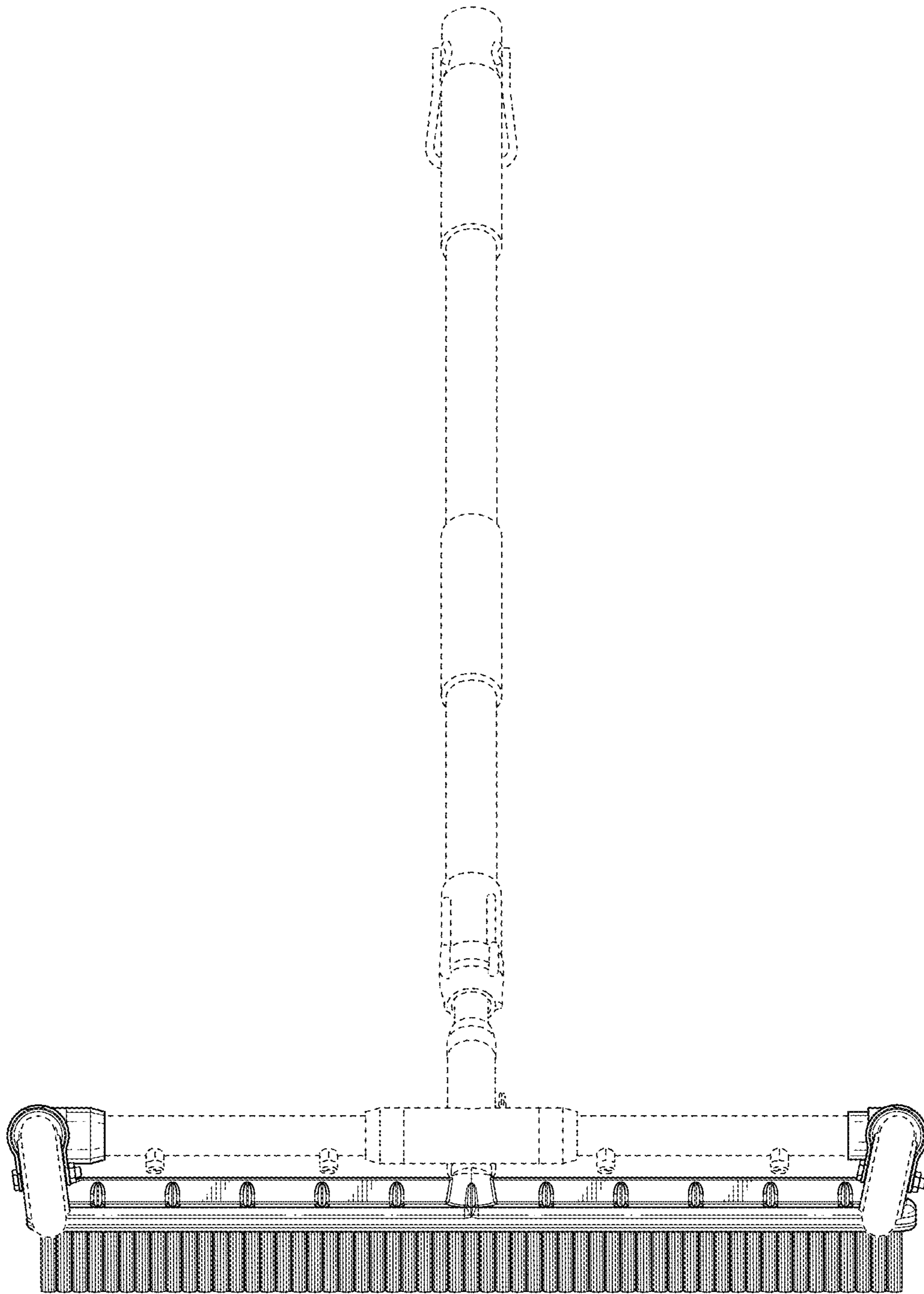


FIG. 7