



US00D743174S

(12) **United States Design Patent**
von Berg

(10) **Patent No.:** **US D743,174 S**

(45) **Date of Patent:** **** Nov. 17, 2015**

(54) **FACE BRUSH**

(71) Applicant: **Peter von Berg**, Ft. Myers, FL (US)

(72) Inventor: **Peter von Berg**, Ft. Myers, FL (US)

(**) Term: **14 Years**

(21) Appl. No.: **29/488,629**

(22) Filed: **Apr. 22, 2014**

(51) **LOC (10) Cl.** **04-02**

(52) **U.S. Cl.**
USPC **D4/102**

(58) **Field of Classification Search**
USPC D4/100, 102, 127, 128, 130, 132-135;
D24/152, 176; 15/167.1-167.2;
32/308-311

CPC .. A45D 44/18; A46B 5/0095; A46B 15/0055;
A46B 5/0071; A46B 15/0081; A46B 15/0087;
A46B 17/04; A46B 2200/1066; A46D 1/10;
A61C 15/048; A61C 17/34; A61C 15/222
See application file for complete search history.

(56) **References Cited**

U.S. PATENT DOCUMENTS

D136,952 S * 1/1944 Getgey 15/28
D226,941 S * 5/1973 Benty et al. D28/63
D303,761 S * 10/1989 Desgrippes D9/719
D307,216 S * 4/1990 Yuen D32/14.1

D439,052 S * 3/2001 Hay D4/114
D445,032 S * 7/2001 Hammer D9/504
D512,567 S * 12/2005 Eckhardt D32/52
D532,935 S * 11/2006 Kostow D28/76
D539,480 S * 3/2007 Kostow D28/76
D549,964 S * 9/2007 Roth D4/102
D715,555 S * 10/2014 Hosler D4/102
D715,558 S * 10/2014 Brewer D4/102
D728,241 S * 5/2015 Helmbold D4/102
D733,967 S * 7/2015 Schlatter D28/85
D734,949 S * 7/2015 Behnam D4/127
D739,145 S * 9/2015 von Berg D4/102

* cited by examiner

Primary Examiner — Keli L Hill

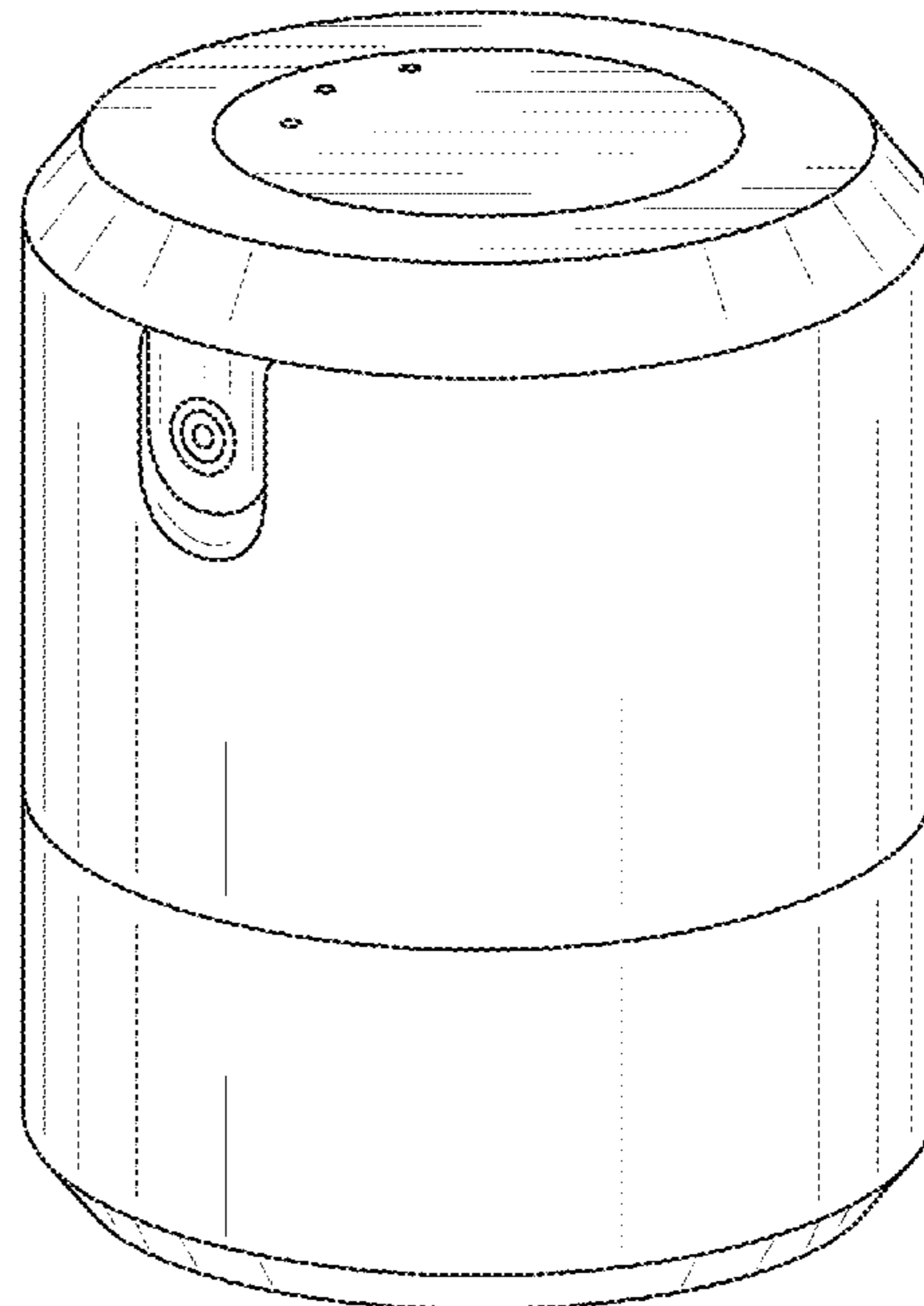
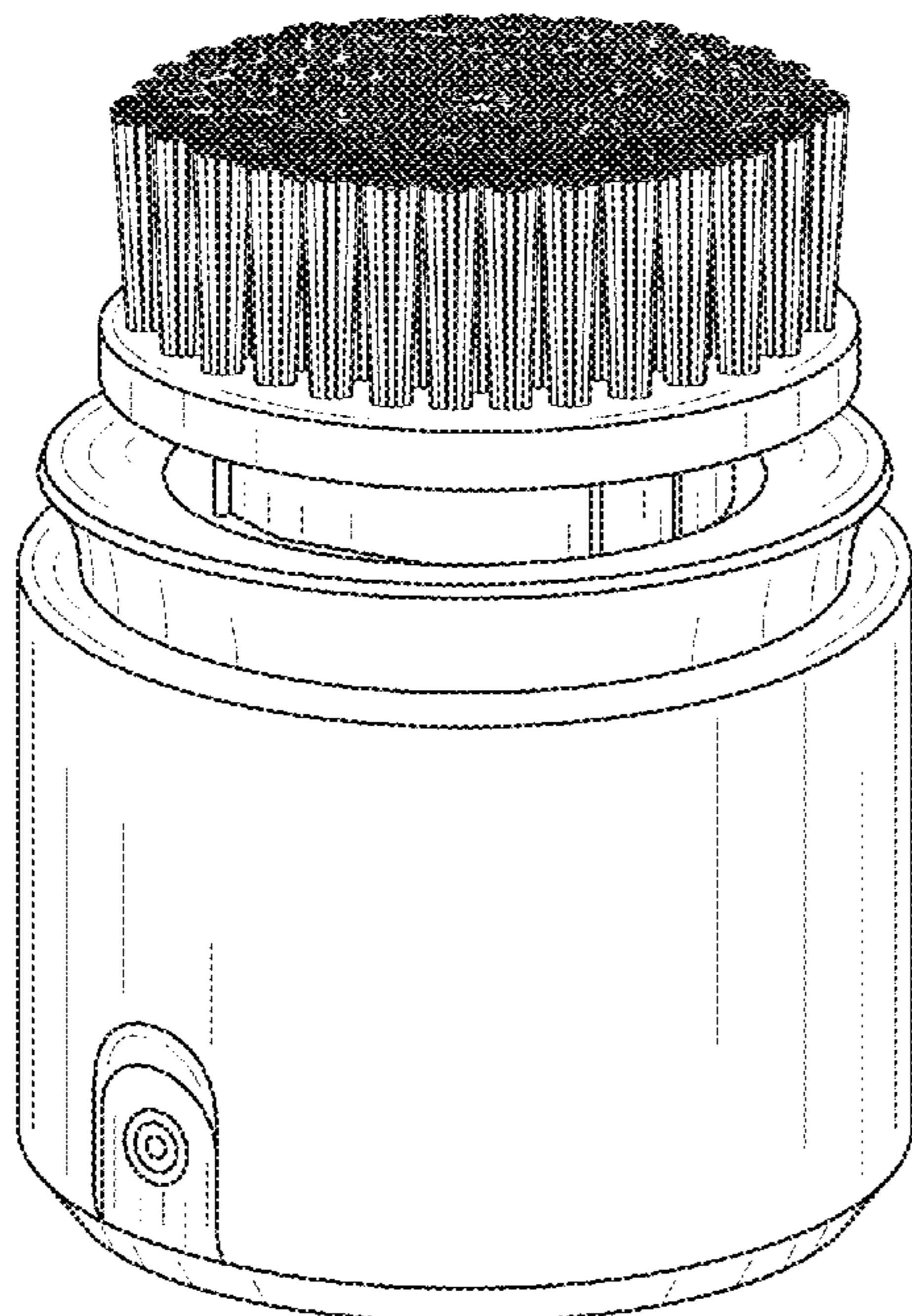
(74) *Attorney, Agent, or Firm* — Larry D. Johnson

(57) **CLAIM**
The ornamental design for a face brush, as shown.

DESCRIPTION

FIG. 1 is a perspective view;
FIG. 2 is a perspective view of the face brush placed into its cover;
FIG. 3 is a front elevation view;
FIG. 4 is a rear elevation view;
FIG. 5 is a left side elevation view;
FIG. 6 is a right side elevation view;
FIG. 7 is a top view; and,
FIG. 8 is a bottom view.

1 Claim, 4 Drawing Sheets



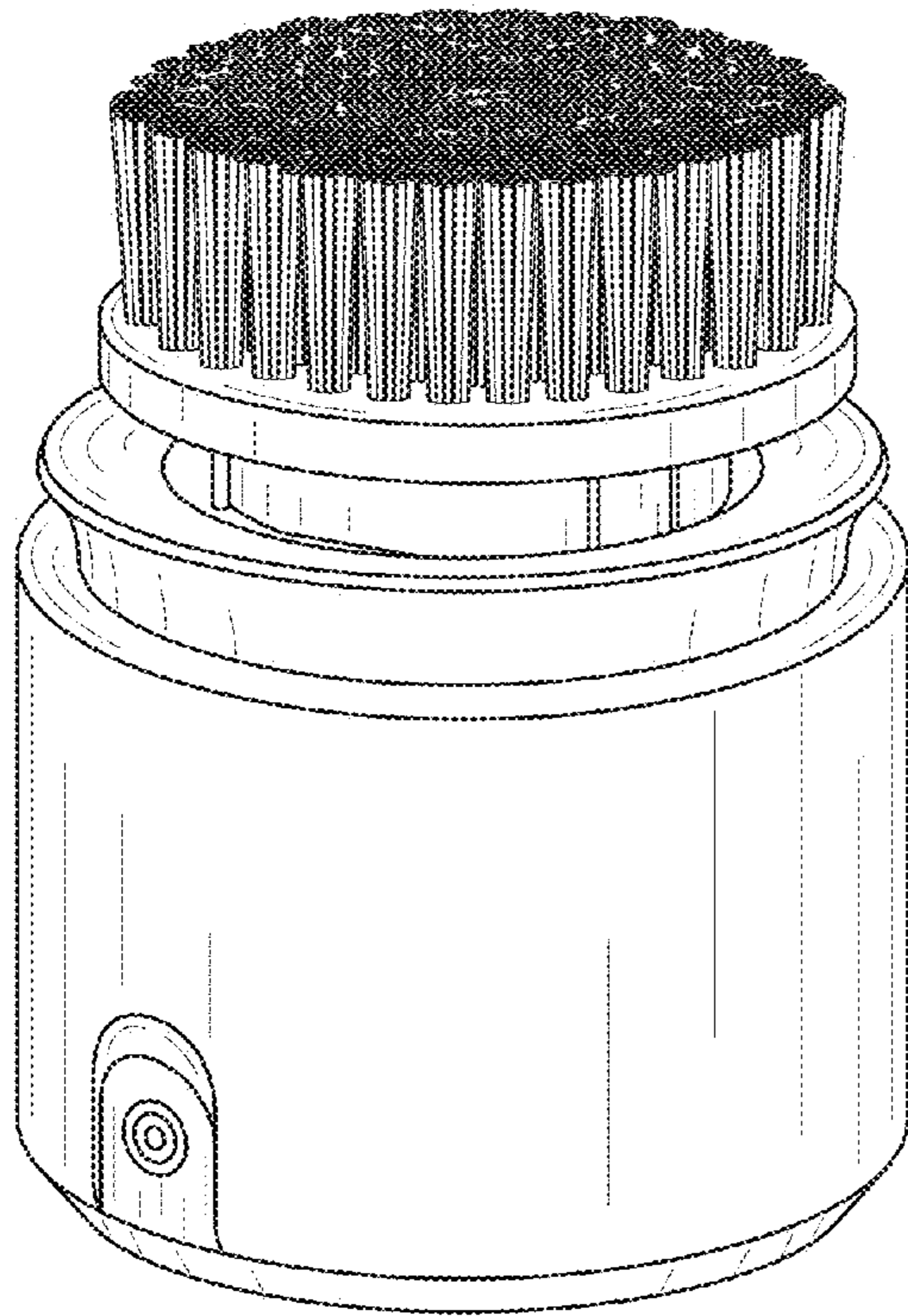


FIG. 1

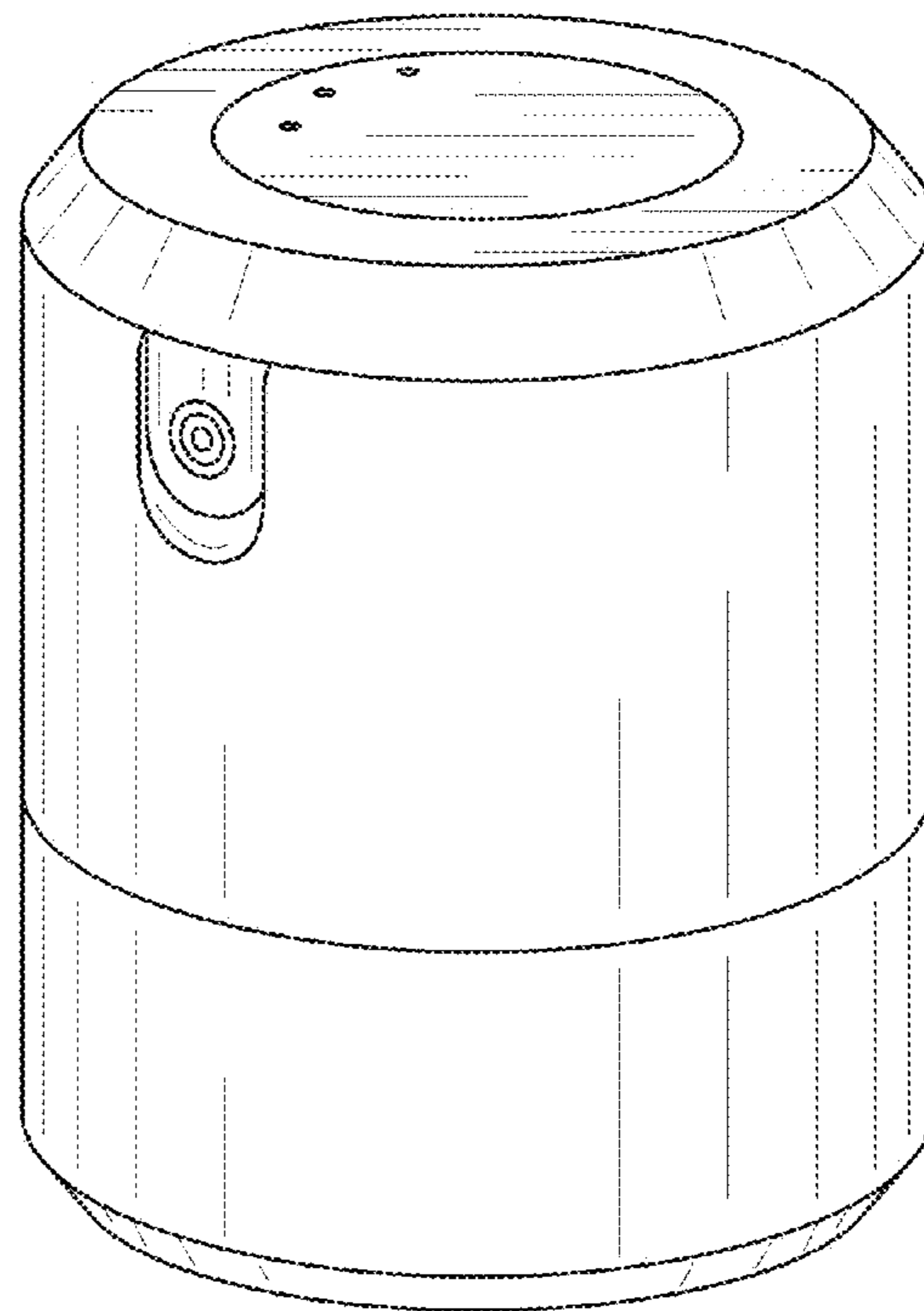


FIG. 2

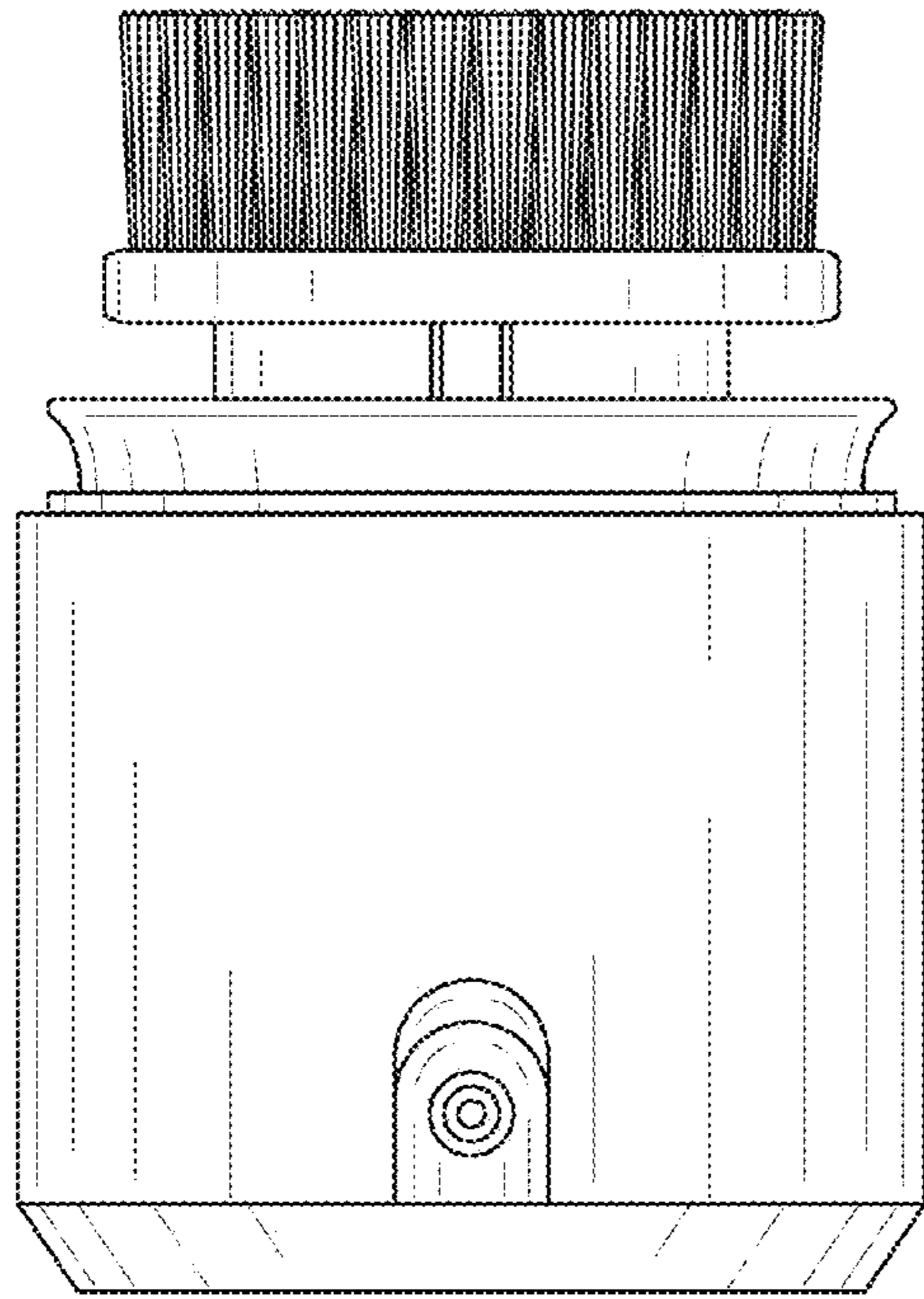


FIG. 3

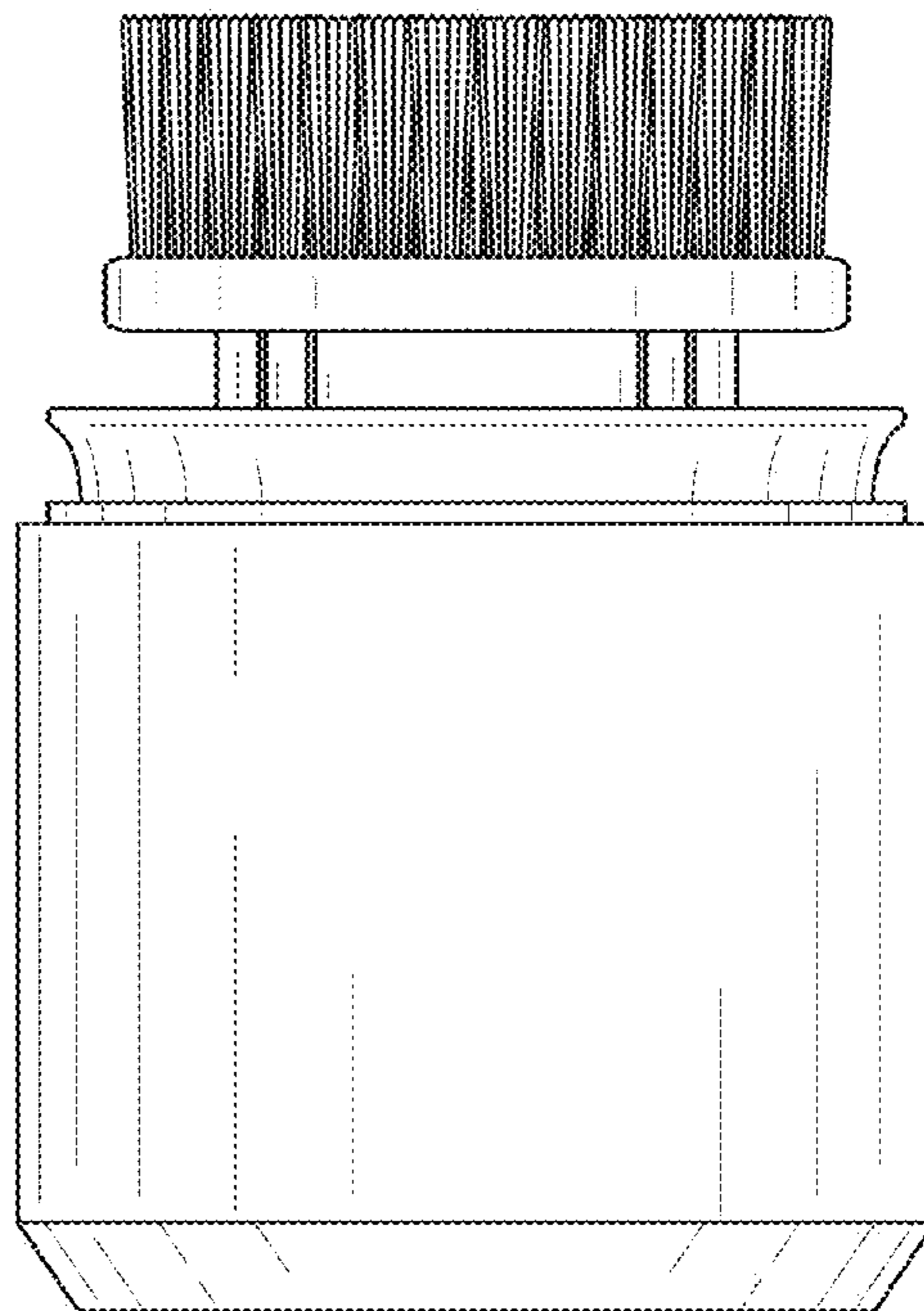


FIG. 4

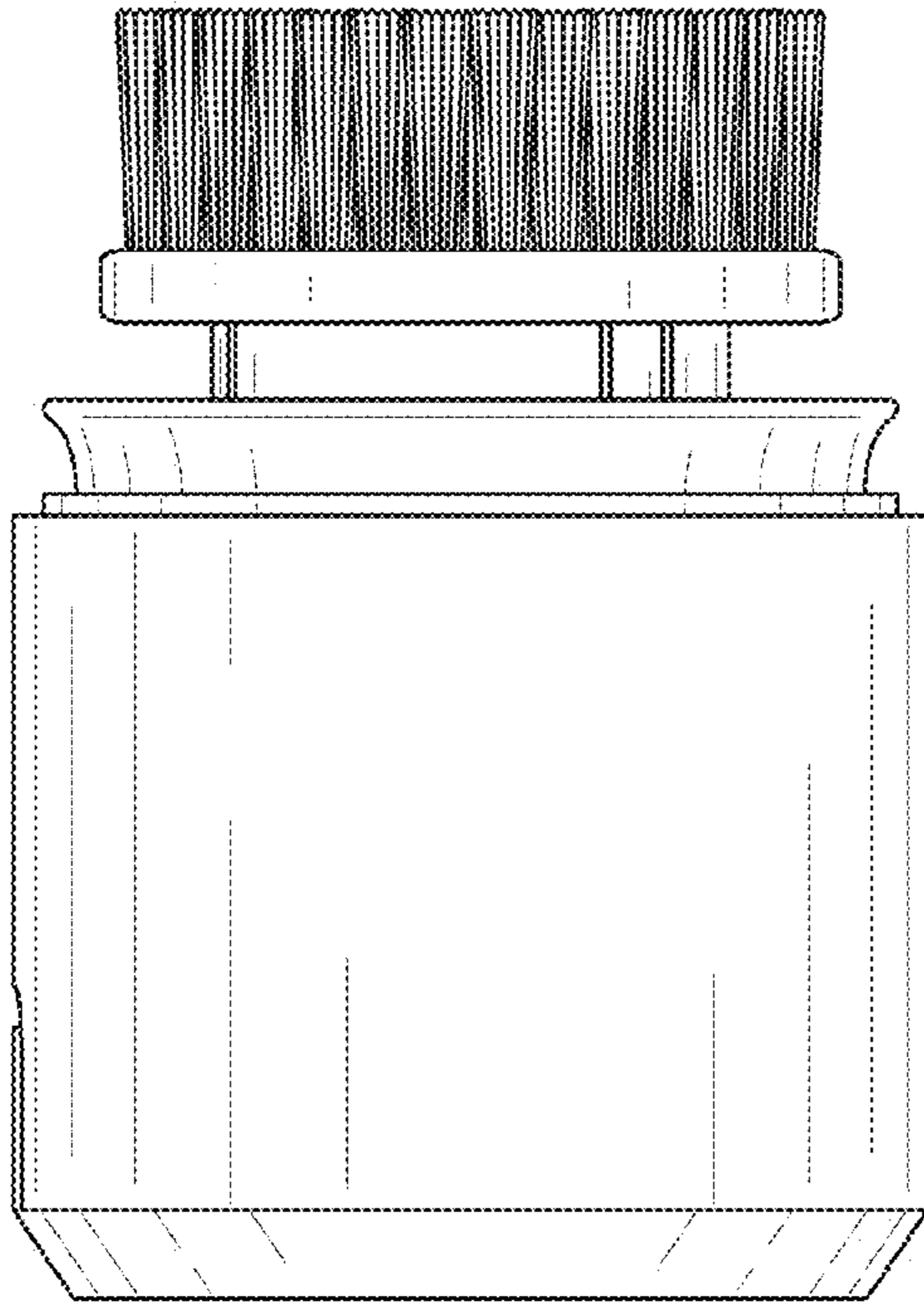


FIG. 5

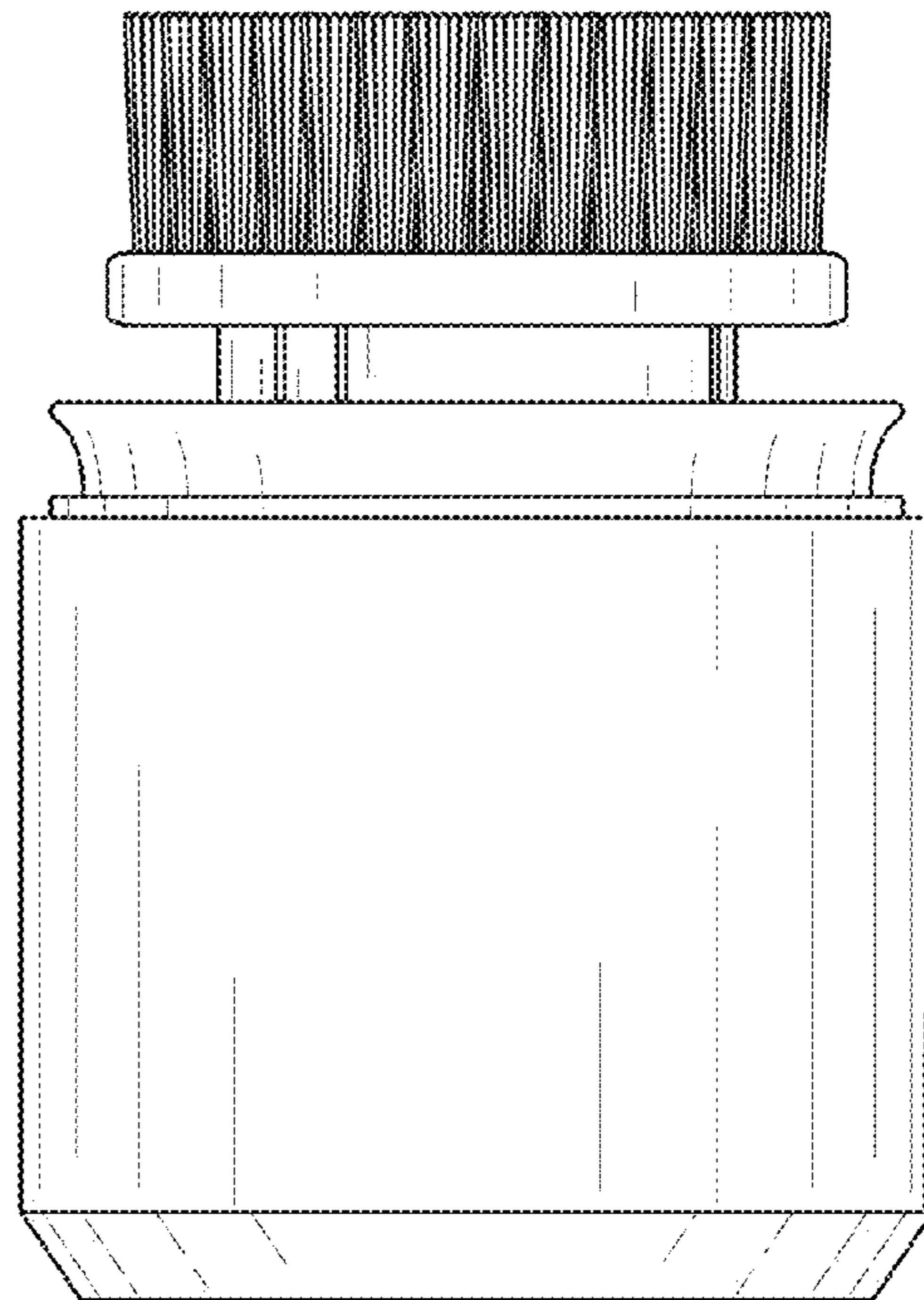


FIG. 6

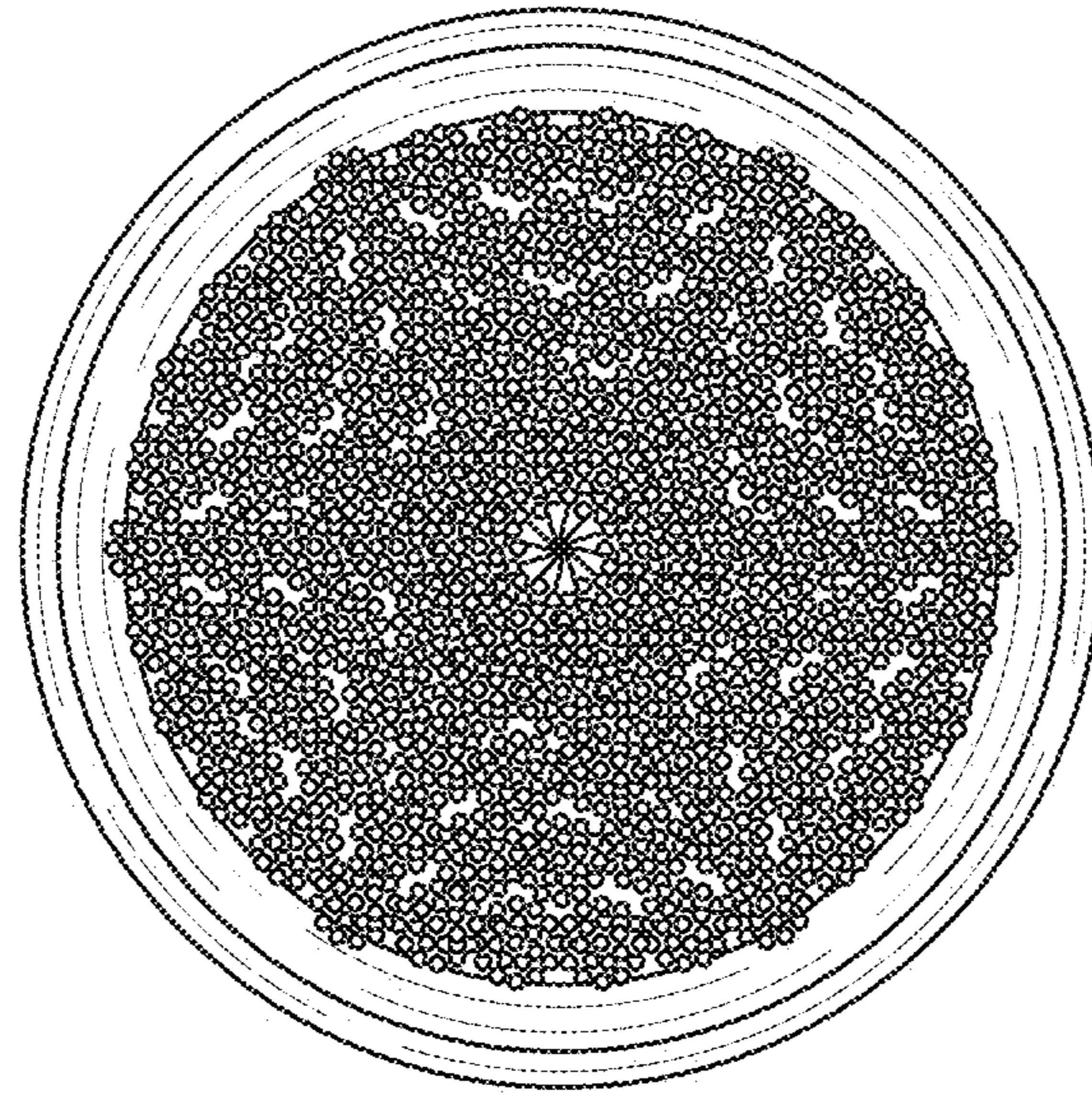


FIG. 7

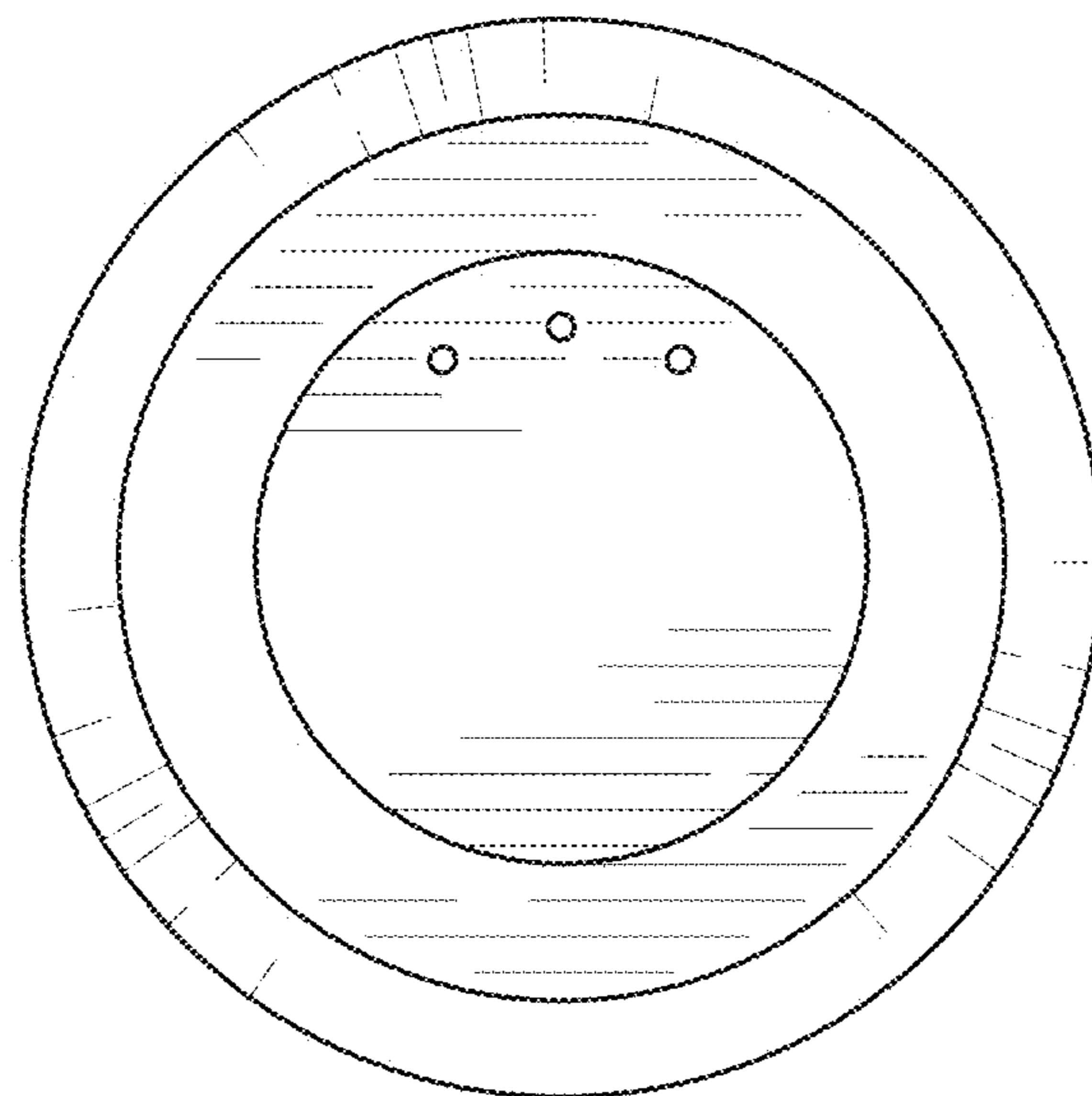


FIG. 8