



US00D743173S

(12) **United States Design Patent**
Sohn

(10) **Patent No.:** **US D743,173 S**

(45) **Date of Patent:** **** Nov. 17, 2015**

(54) **BATTERY POWERED TOOTHBRUSH WITH CYLINDRICAL BRUSH**

(71) Applicant: **Jae Hoon Sohn**, Incheon (KR)

(72) Inventor: **Jae Hoon Sohn**, Incheon (KR)

(**) Term: **14 Years**

(21) Appl. No.: **29/488,903**

(22) Filed: **Apr. 24, 2014**

(51) **LOC (10) Cl.** **04-02**

(52) **U.S. Cl.**
USPC **D4/101**; D4/108

(58) **Field of Classification Search**
USPC D4/100–102, 104, 105, 109–112;
D24/152, 176; 15/167.1–167.2;
32/308–311
CPC A46B 5/0095; A46B 15/0071; A46B
15/0081; A46B 15/0087; A46B 2200/1066;
A61C 15/048; A61C 17/34; A61C 17/22
See application file for complete search history.

(56) **References Cited**

U.S. PATENT DOCUMENTS

1,022,139	A	4/1912	Horn	
D232,278	S *	8/1974	Gallo	D4/101
4,163,300	A	8/1979	Quint	
4,344,202	A	8/1982	Hayat	
4,603,448	A	8/1986	Middleton	
5,035,020	A	7/1991	Winiewski	
D321,287	S *	11/1991	Woll	D4/106
5,544,383	A *	8/1996	Gamble	A46B 9/04 15/106
D424,303	S *	5/2000	Tobias	D4/111
6,170,107	B1 *	1/2001	George	A46B 5/02 15/23
D452,615	S *	1/2002	Cheong	D4/104
D455,012	S *	4/2002	Perez	D4/105
D476,156	S *	6/2003	Ferber	D4/101

6,582,224	B1	6/2003	Lilien	
7,992,246	B2	8/2011	Takeuchi	
D687,226	S *	8/2013	Doumoto	D4/101
D689,697	S *	9/2013	Doumoto	D4/101
D702,947	S *	4/2014	Lee	D4/101
D710,110	S *	8/2014	Miller	D4/108
2011/0010874	A1 *	1/2011	Dickie	A46B 5/0062 15/22.1

FOREIGN PATENT DOCUMENTS

EP 0 968 686 A1 5/2000

* cited by examiner

Primary Examiner — Keli L Hill

(74) *Attorney, Agent, or Firm* — Lauson & Tarver LLP;
Robert J. Lauson

(57) **CLAIM**

I claim an ornamental design for the battery powered toothbrush with cylindrical brush, as shown and described.

DESCRIPTION

FIG. 1 is a perspective view of the battery powered toothbrush with cylindrical brush embodiment.

FIG. 2 is a top view thereof.

FIG. 3 is a bottom view thereof.

FIG. 4 is a right side view thereof, the left side being a mirror image.

FIG. 5 is a front view thereof.

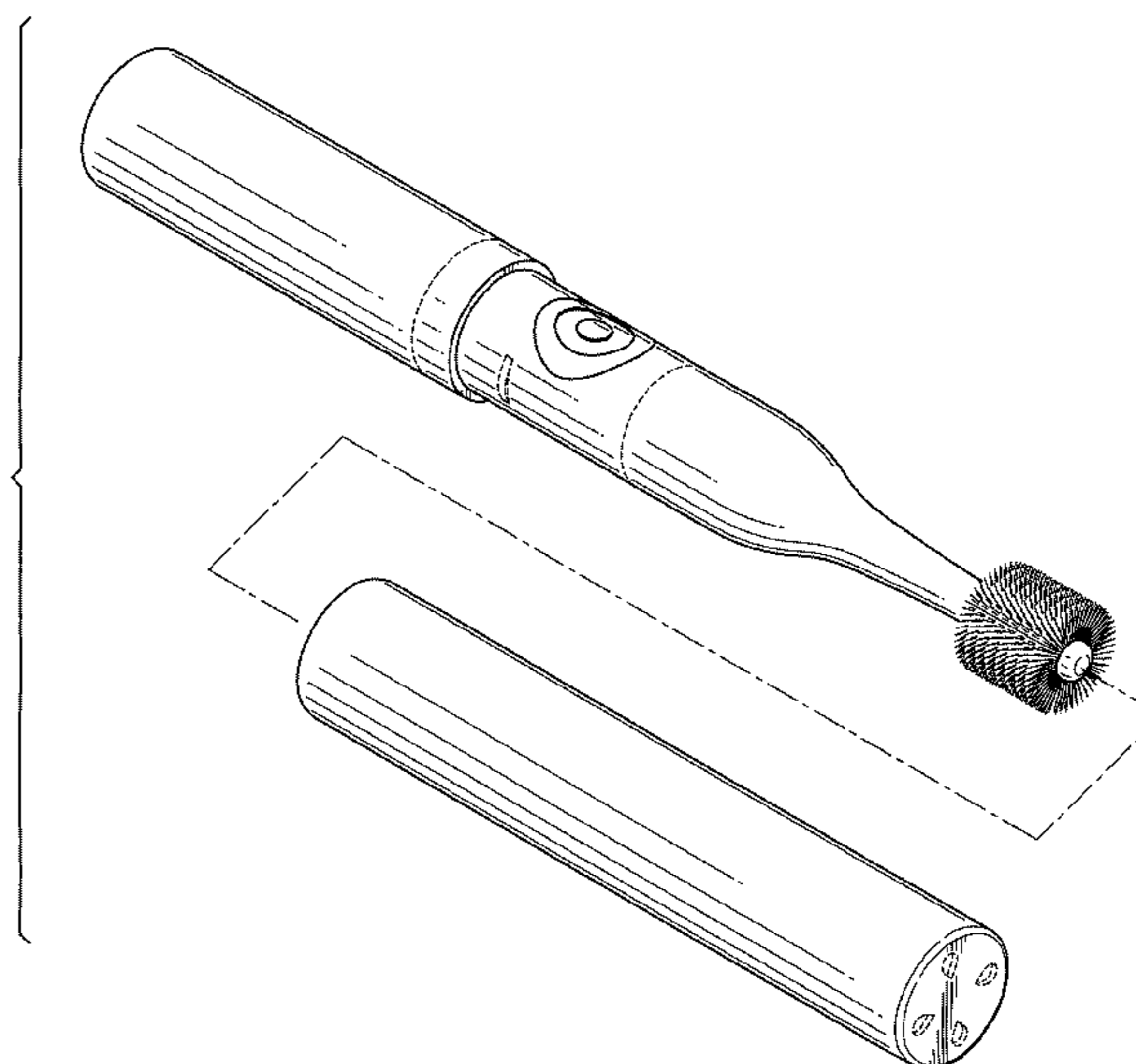
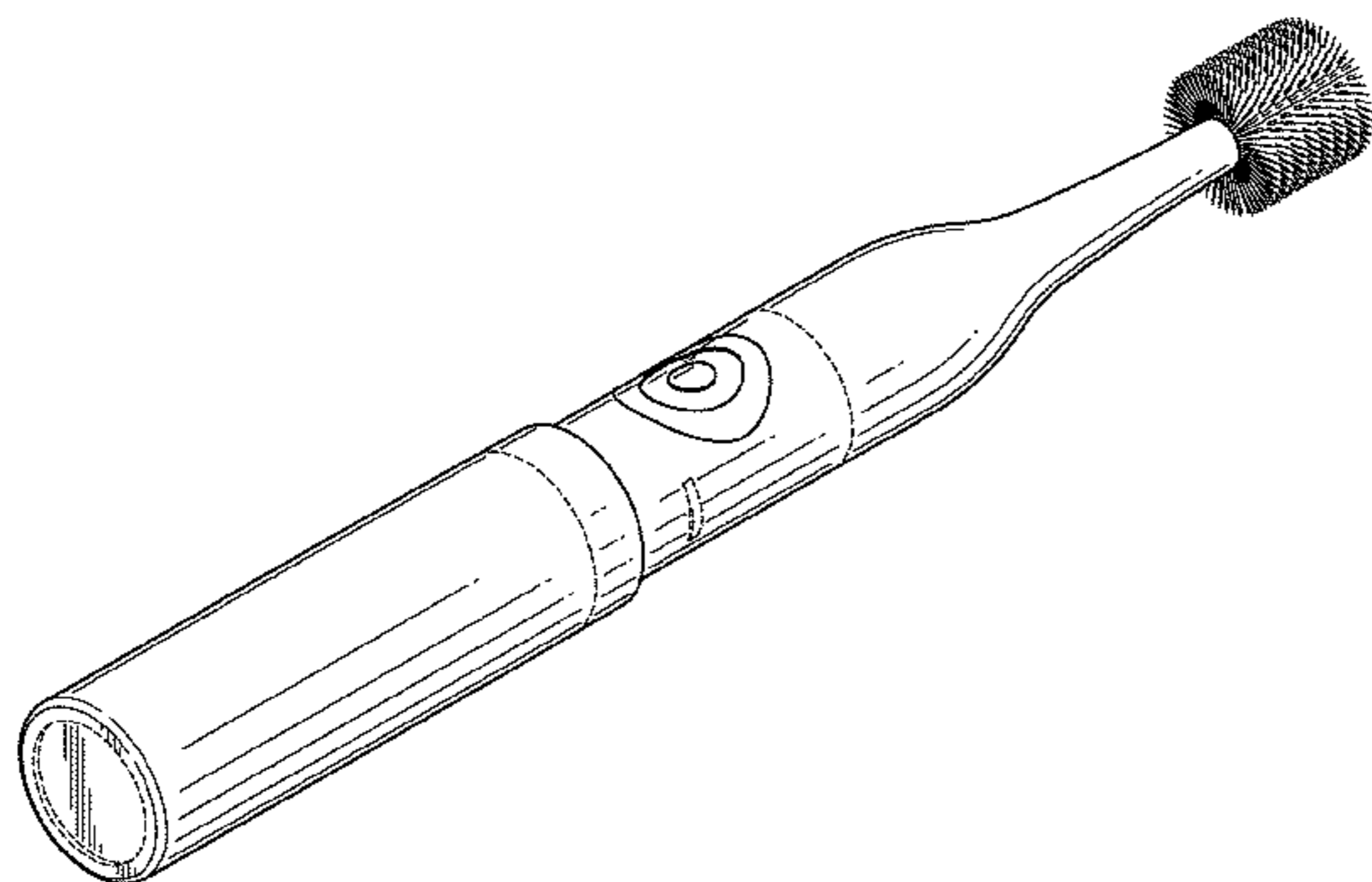
FIG. 6 is a rear view thereof.

FIG. 7 is a perspective view of the battery powered toothbrush with cylindrical brush bearing a cap; and,

FIG. 8 is an exploded view of the battery powered toothbrush with cylindrical brush with the cap removed.

The broken lines shown are included for the purpose of illustrating portions of the battery powered toothbrush with cylindrical brush that form no part of the claim.

1 Claim, 3 Drawing Sheets



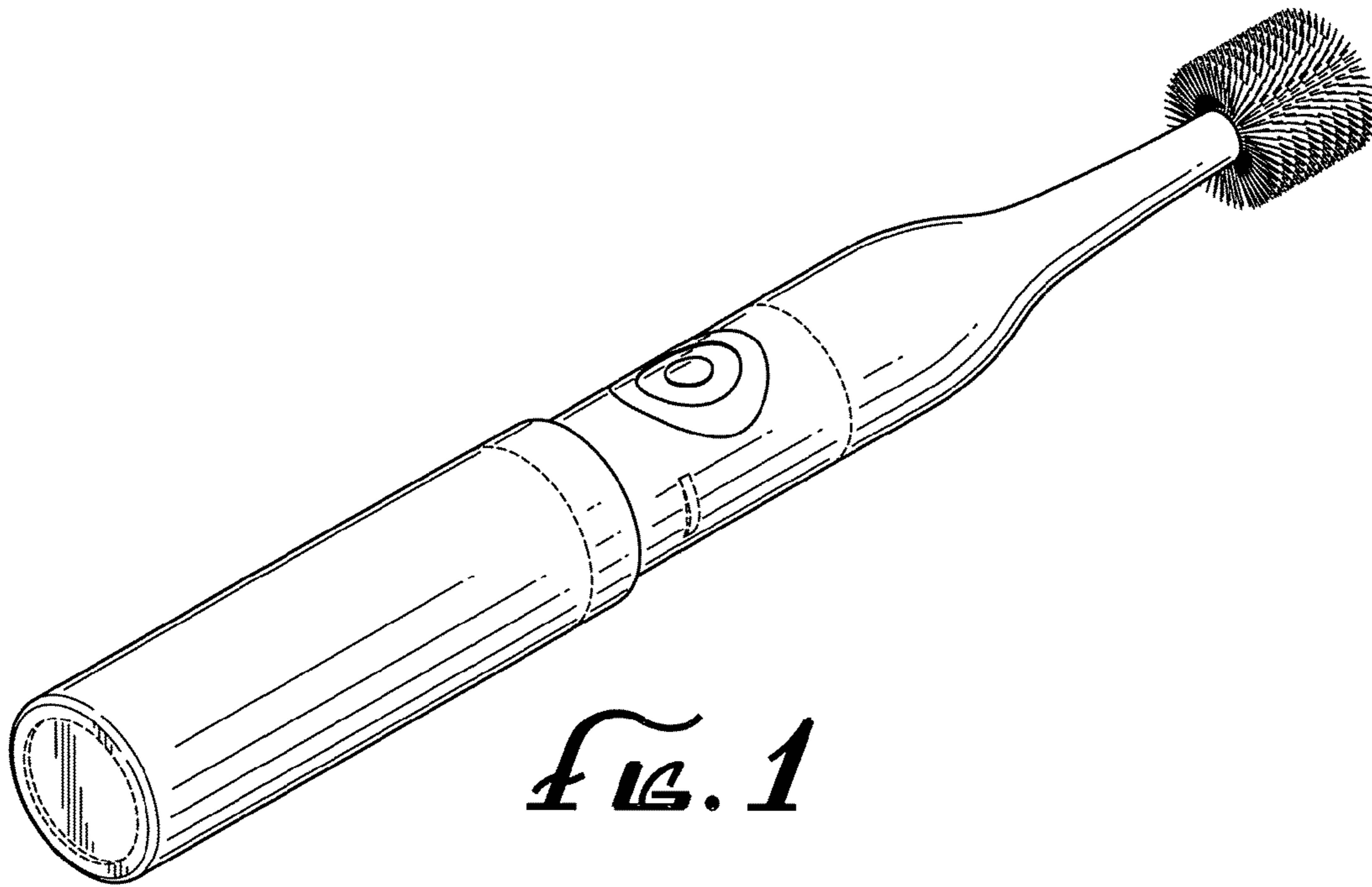


FIG. 1

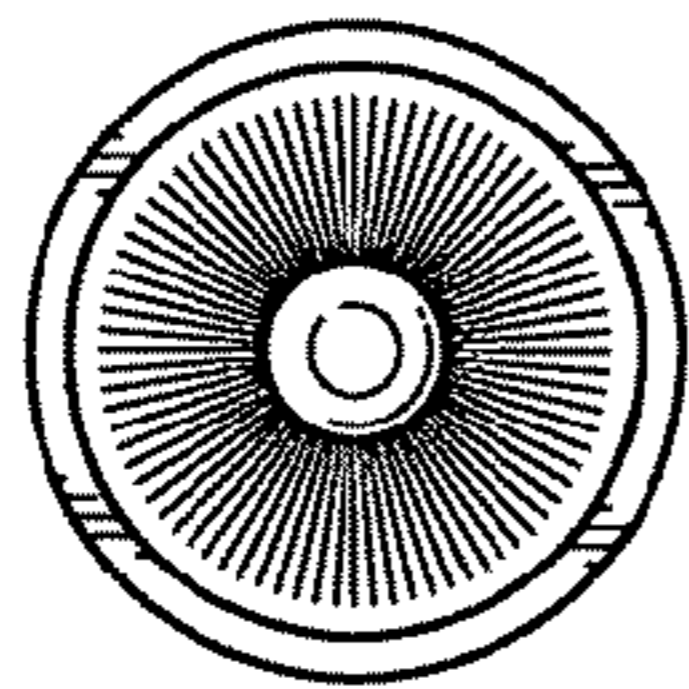


FIG. 2

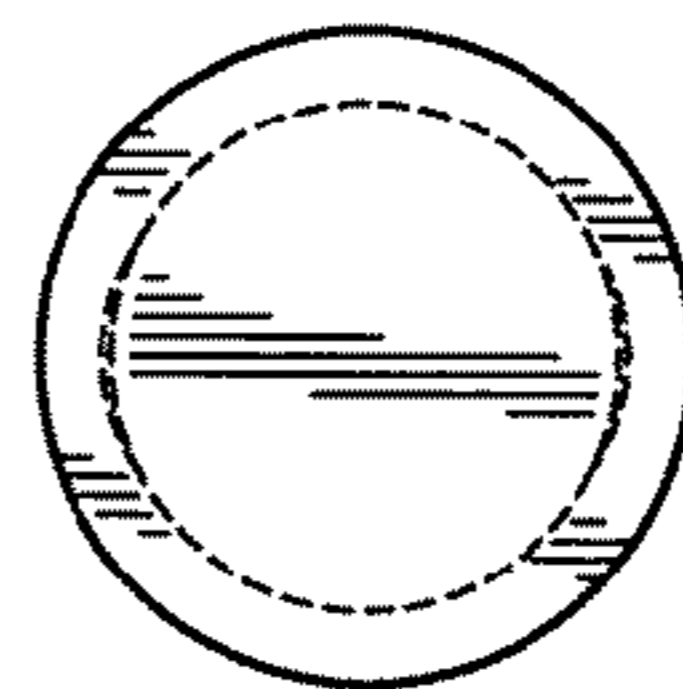


FIG. 3

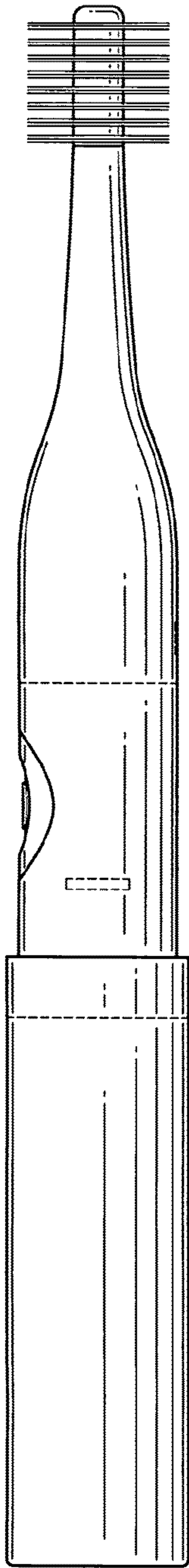


FIG. 4

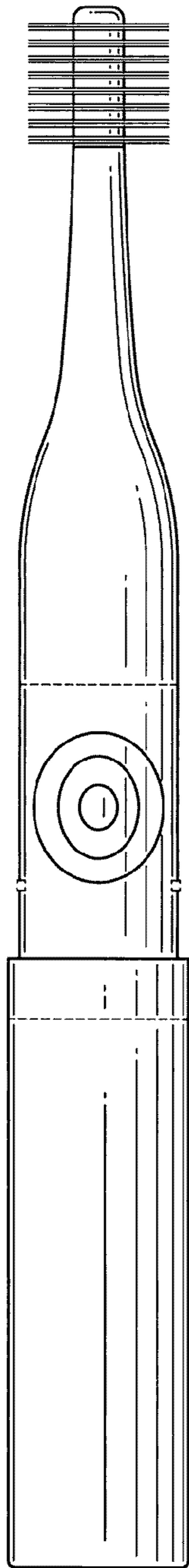


FIG. 5

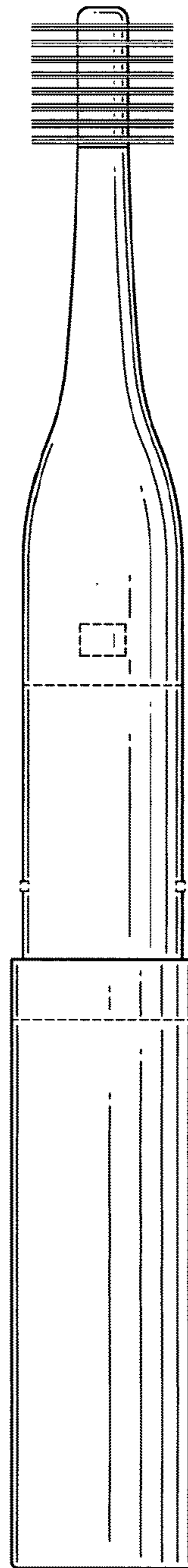


FIG. 6

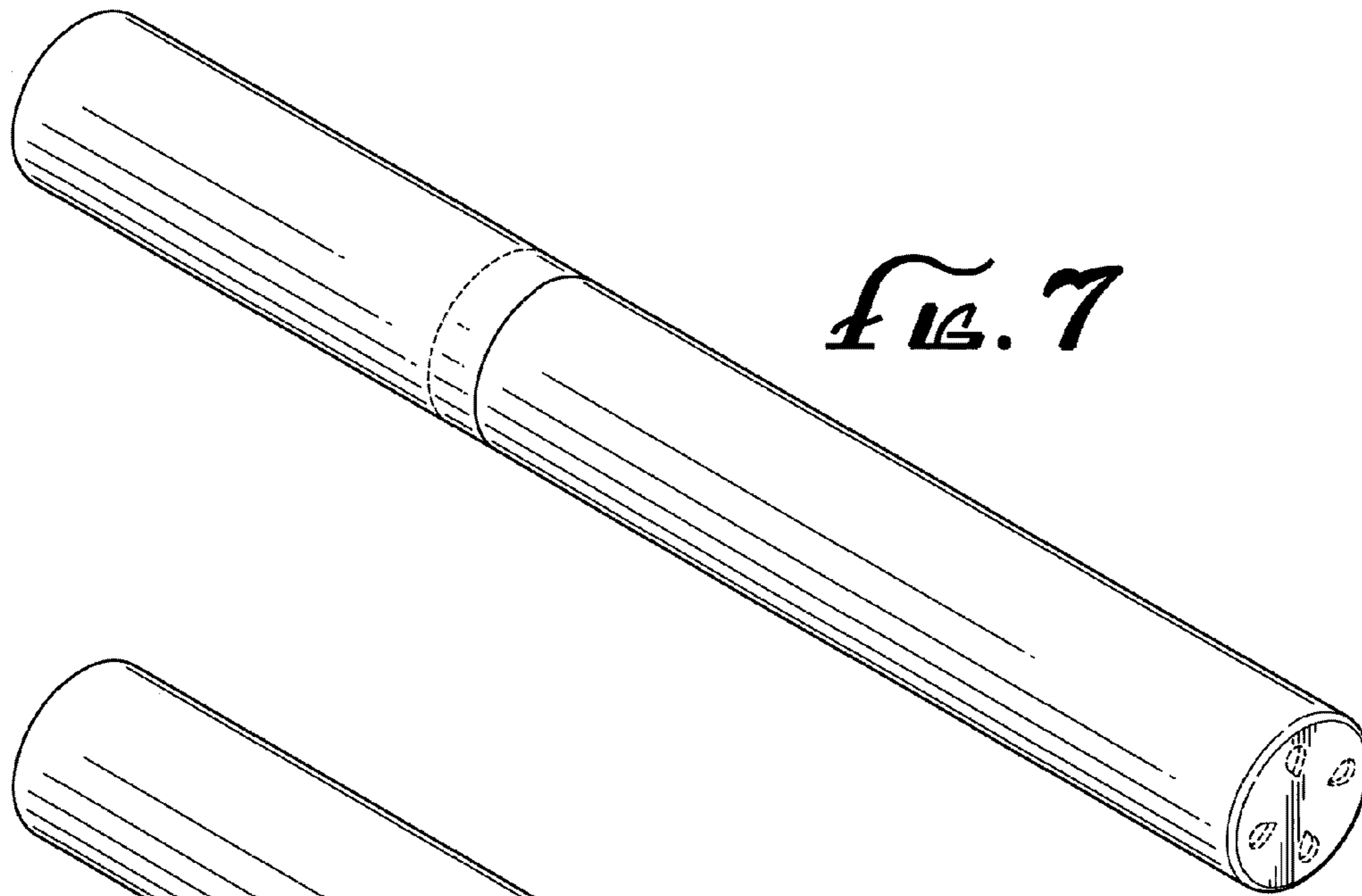


Fig. 7

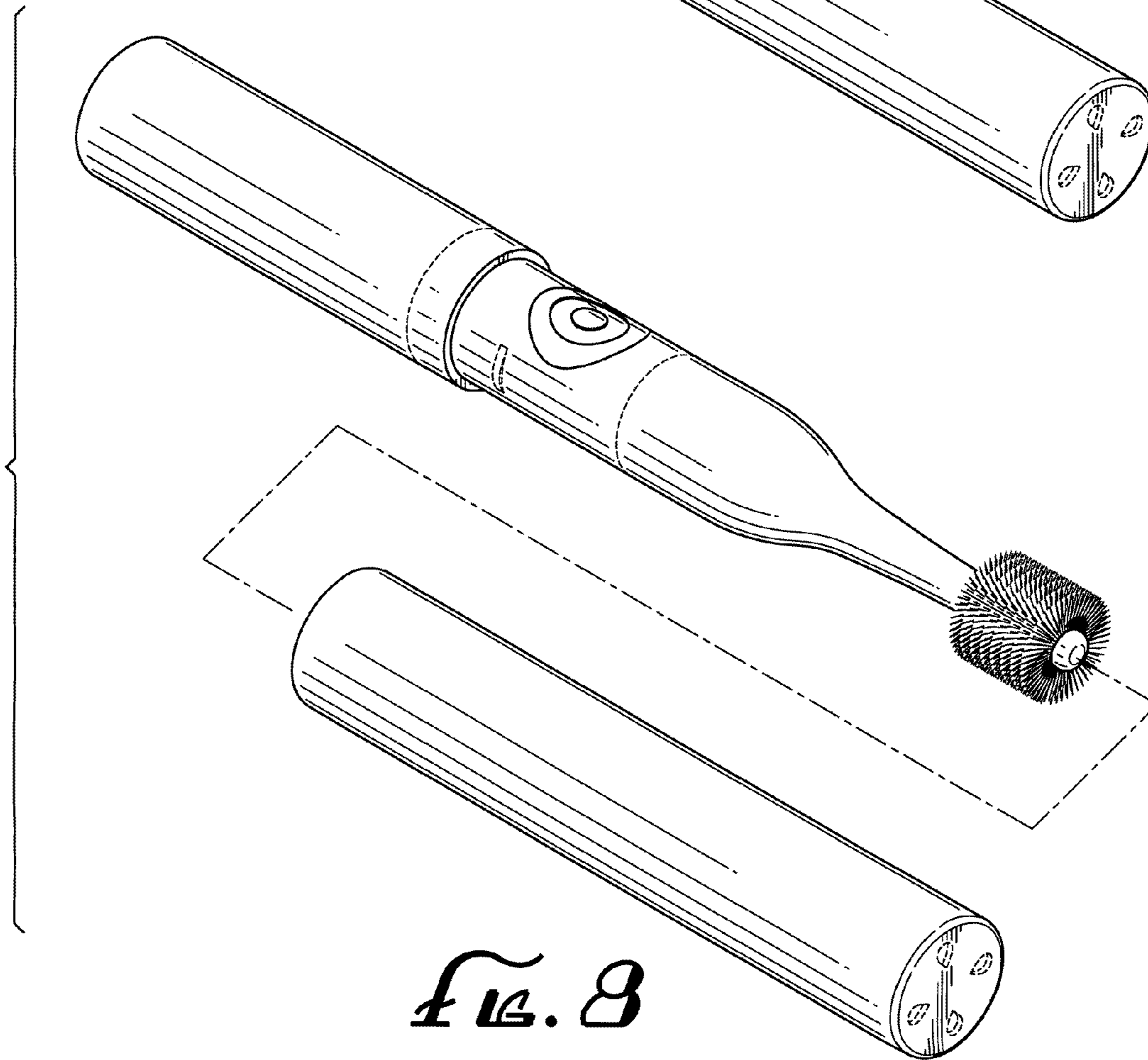


Fig. 8