



US00D743172S

(12) **United States Design Patent**  
**Hassler**

(10) **Patent No.:** **US D743,172 S**

(45) **Date of Patent:** **\*\* Nov. 17, 2015**

(54) **REMOVABLE HANDLE FOR A TOOL POUCH**

(71) Applicant: **Mathew Ryan Hassler**, San Antonio, TX (US)

(72) Inventor: **Mathew Ryan Hassler**, San Antonio, TX (US)

(73) Assignee: **Rooster Products International, Inc.**, San Antonio, TX (US)

(\*\*) Term: **14 Years**

(21) Appl. No.: **29/494,393**

(22) Filed: **Jun. 19, 2014**

(51) **LOC (10) Cl.** ..... **03-01**

(52) **U.S. Cl.**

USPC ..... **D3/318**

(58) **Field of Classification Search**

USPC ..... D3/218, 227, 232–233, 239, 240–243, D3/249, 289, 301, 303, 318, 323, 327, 328, D3/900; D8/97, 107, 300, 303, 313, 314, D8/321; D15/5, 18

CPC ..... Y10T 24/2586; Y10T 24/2589; Y10T 24/257; Y10T 24/25; A44B 19/262; A44B 19/26; A44B 19/00; A41F 1/008; A41D 2300/322; A45C 11/324

See application file for complete search history.

(56) **References Cited**

**U.S. PATENT DOCUMENTS**

D176,995 S *	2/1956	Samuellen	.....	D3/242
D254,759 S *	4/1980	Rodstein	.....	D3/228
D377,118 S *	1/1997	Carbone et al.	.....	D3/228
D464,483 S *	10/2002	Bloch	.....	D3/228
D492,115 S *	6/2004	Bertelsen et al.	.....	D3/318
D554,373 S *	11/2007	Fenton et al.	.....	D3/318
D570,603 S *	6/2008	Wu et al.	.....	D3/327

D587,457 S *	3/2009	Barnwell et al.	.....	D3/327
D631,653 S *	2/2011	Brown	.....	D3/232
D636,184 S *	4/2011	Scicluna et al.	.....	D3/318
D650,589 S *	12/2011	Overton et al.	.....	D3/327
D716,051 S *	10/2014	Fischer	.....	D3/318

**OTHER PUBLICATIONS**

A scanned photograph of a tool belt and harness with a different style of handle with similar features that is not removable from the bag but rather clips on by a d-ring to one side so that you can undo the clip to slide items onto the belt and then reclip the d-ring.

\* cited by examiner

*Primary Examiner* — Robert M Spear

*Assistant Examiner* — Eliza Bennett-Hattan

(74) *Attorney, Agent, or Firm* — John C. Cave; Gunn, Lee & Cave, P.C.

(57) **CLAIM**

The ornamental design for removable handle for a tool pouch, as shown and described.

**DESCRIPTION**

FIG. 1 is a perspective view (as seen from the front view) of the removable handle for a tool pouch.

FIG. 2 is a front view thereof.

FIG. 3 is a back view thereof.

FIG. 4 is a left side view thereof.

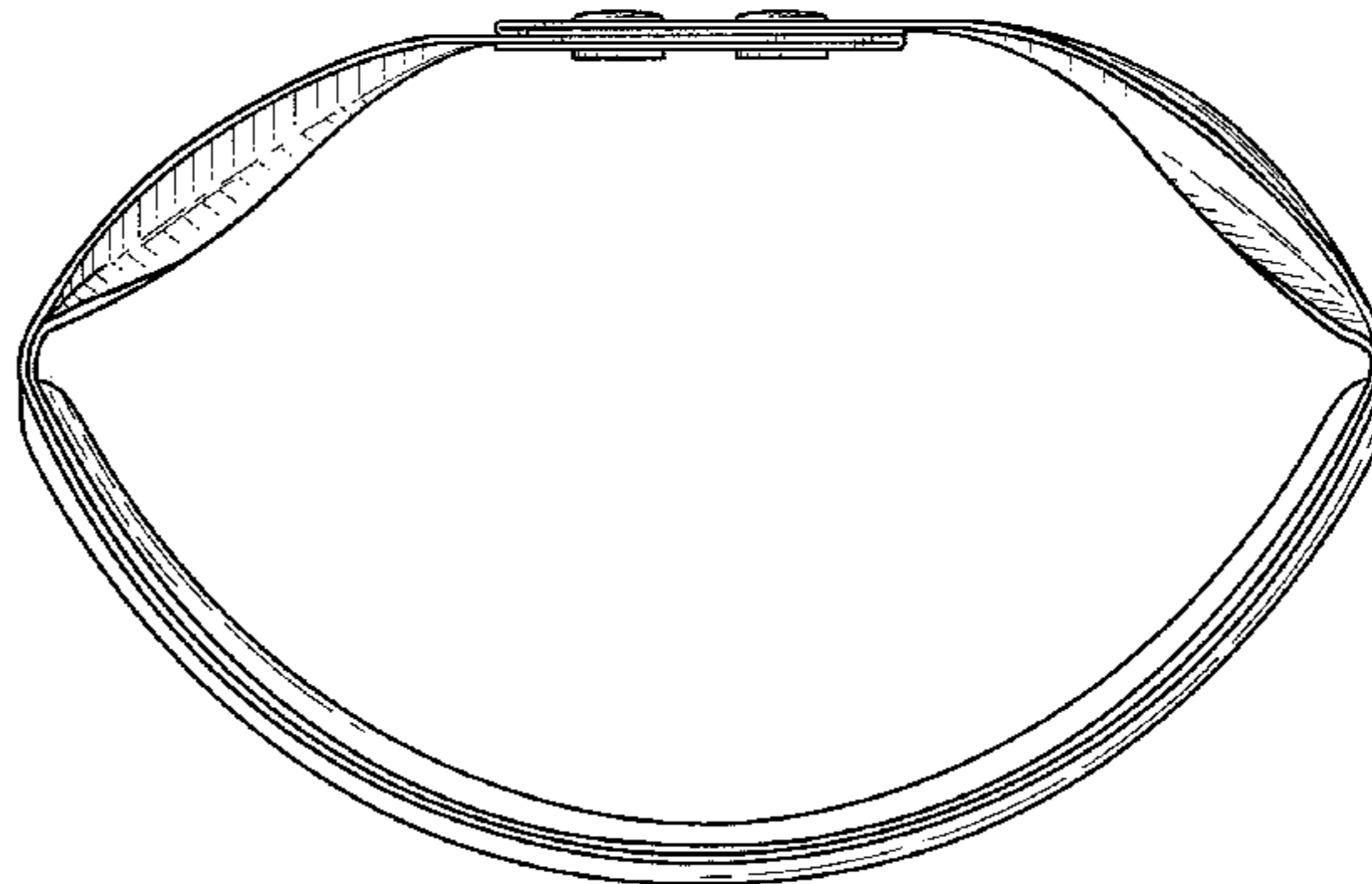
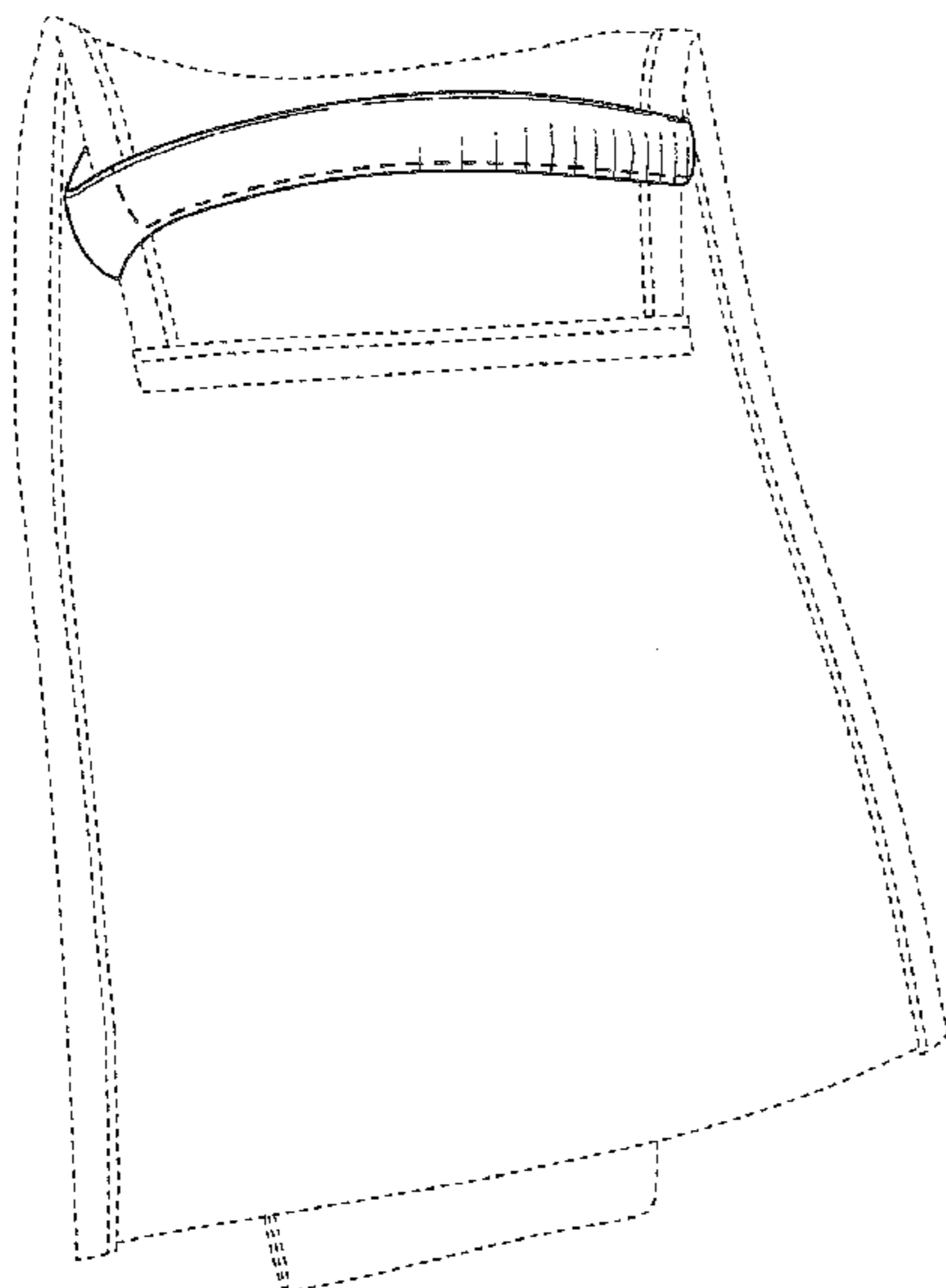
FIG. 5 is a right side view thereof.

FIG. 6 is a bottom view thereof; and,

FIG. 7 is a top view thereof.

The small broken or dashed lines are used in the drawings to show the environment related to the claimed design and form no part of the claimed design. The more bold larger dashed lines are used to show stitching which is part of the environment and form no part of the claimed features. The longer irregular dashed lines are used to show curvature.

**1 Claim, 4 Drawing Sheets**



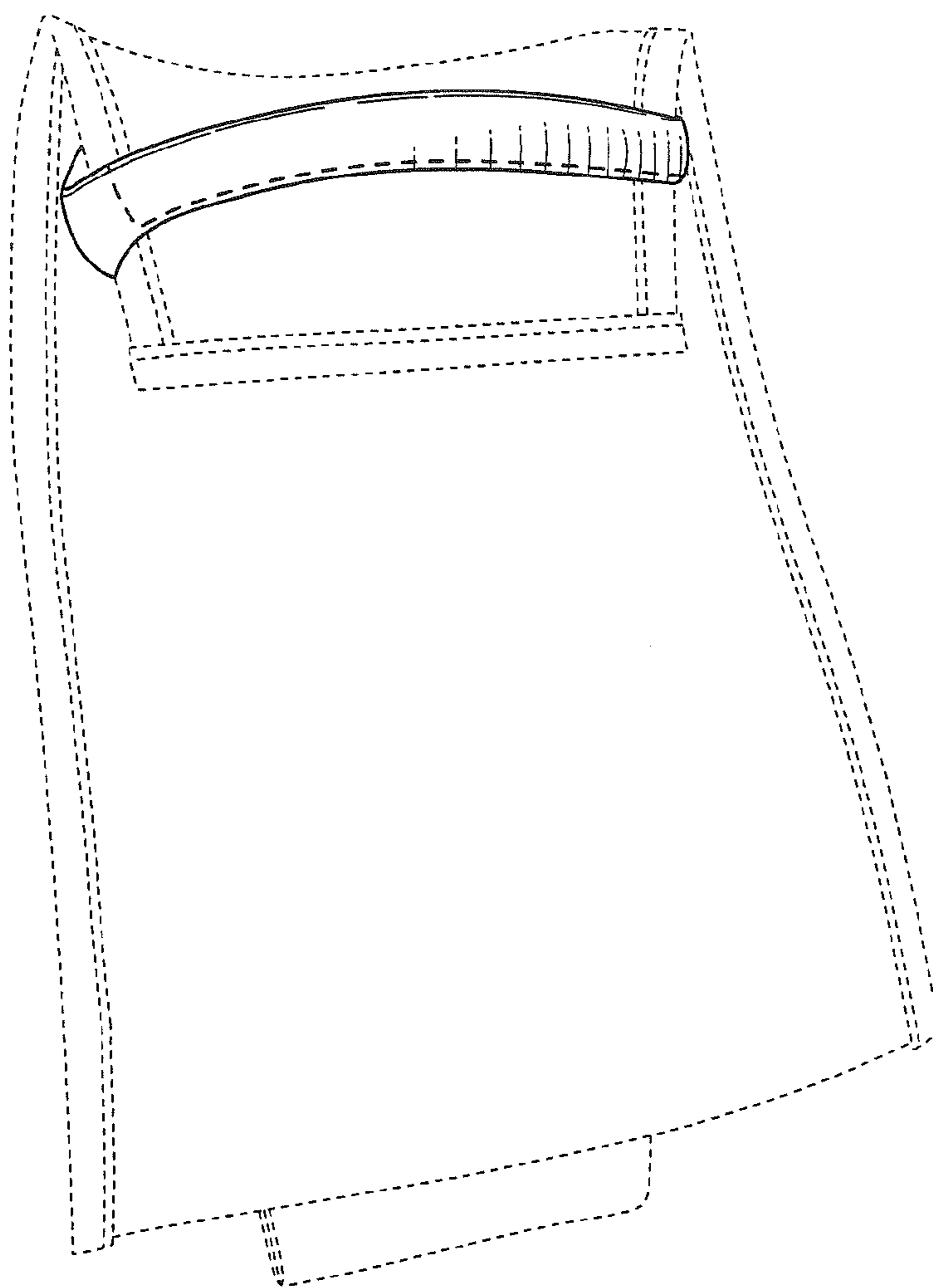


FIG. 1

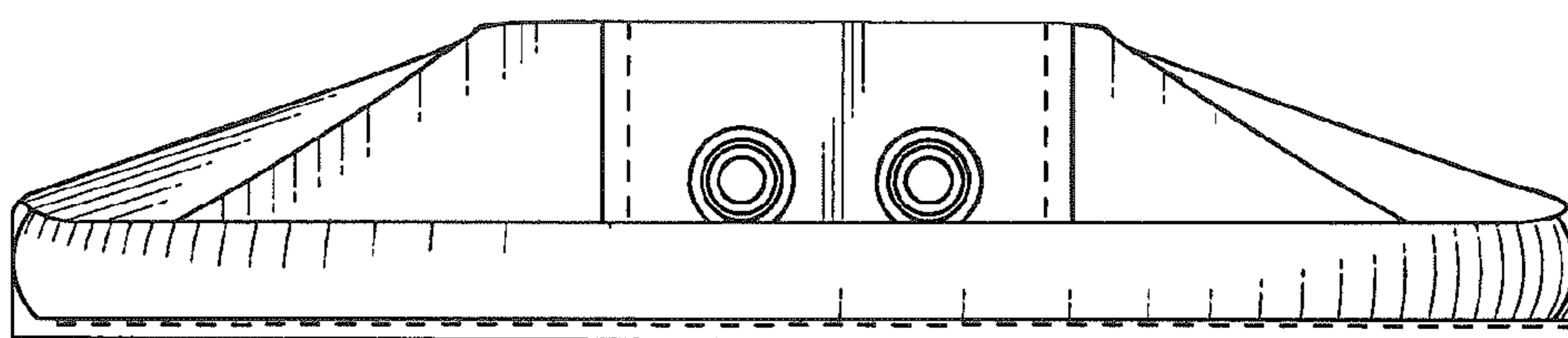


FIG. 2

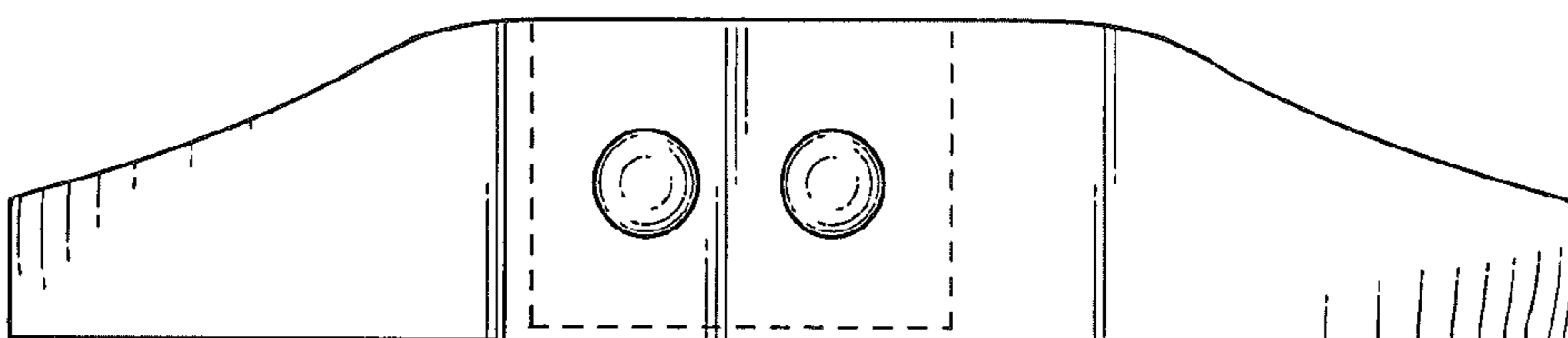


FIG. 3

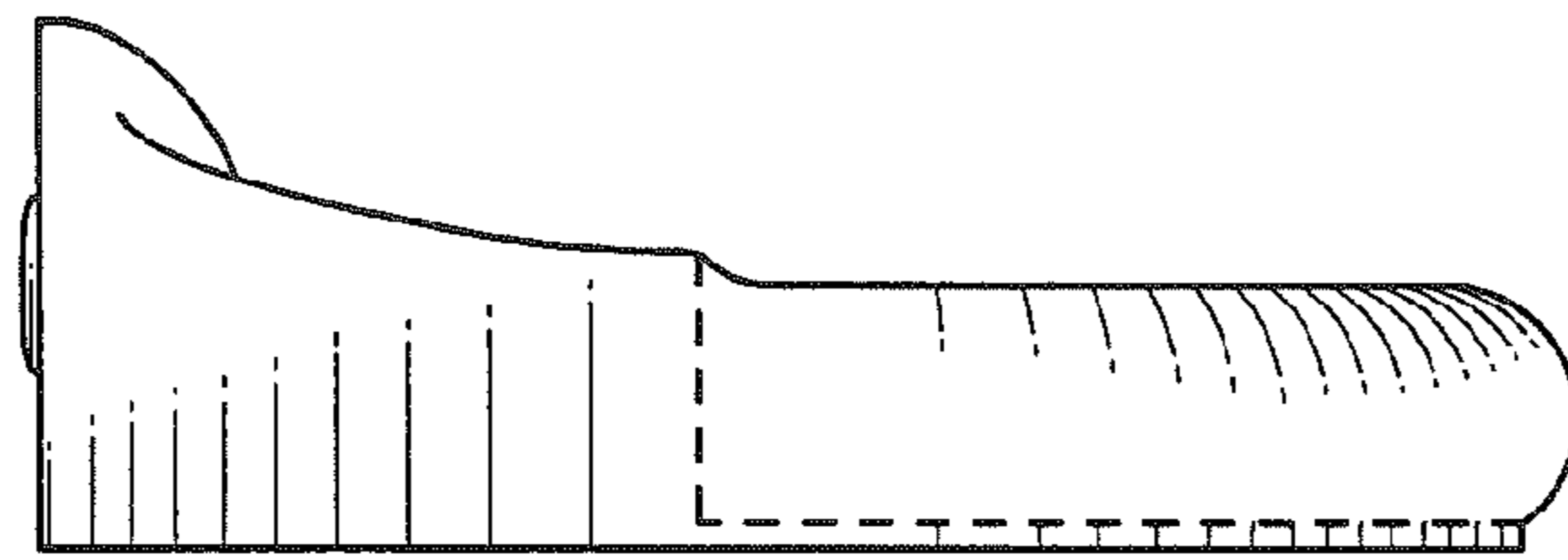


FIG. 4

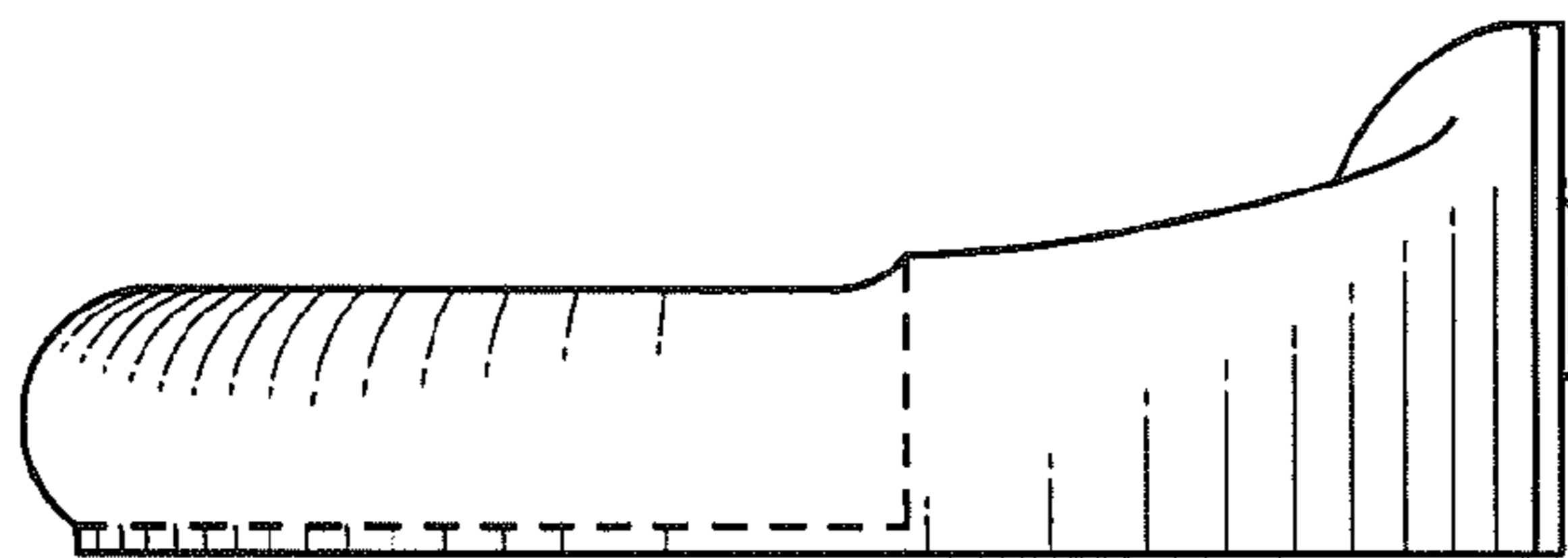


FIG. 5

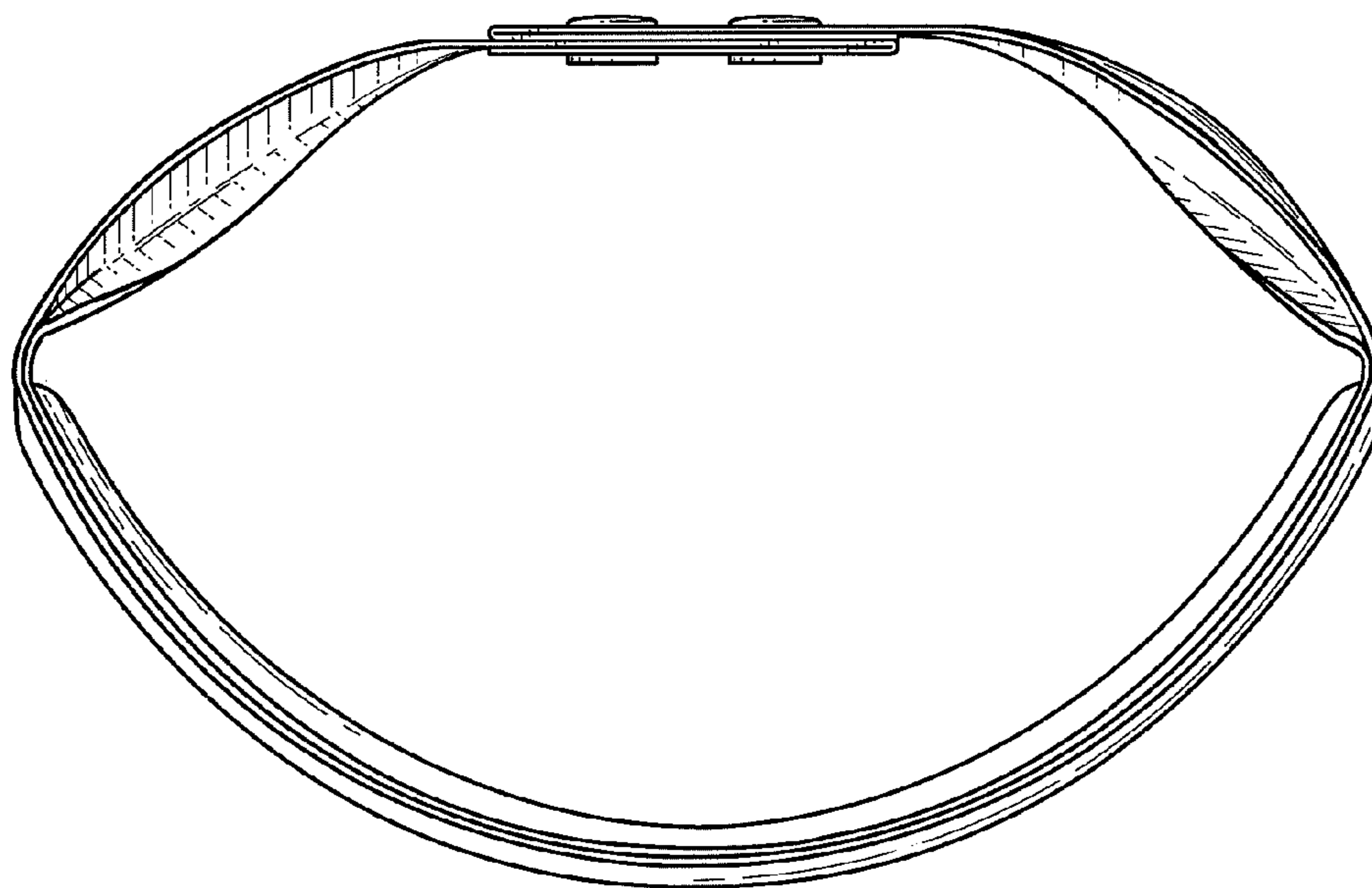


FIG. 6

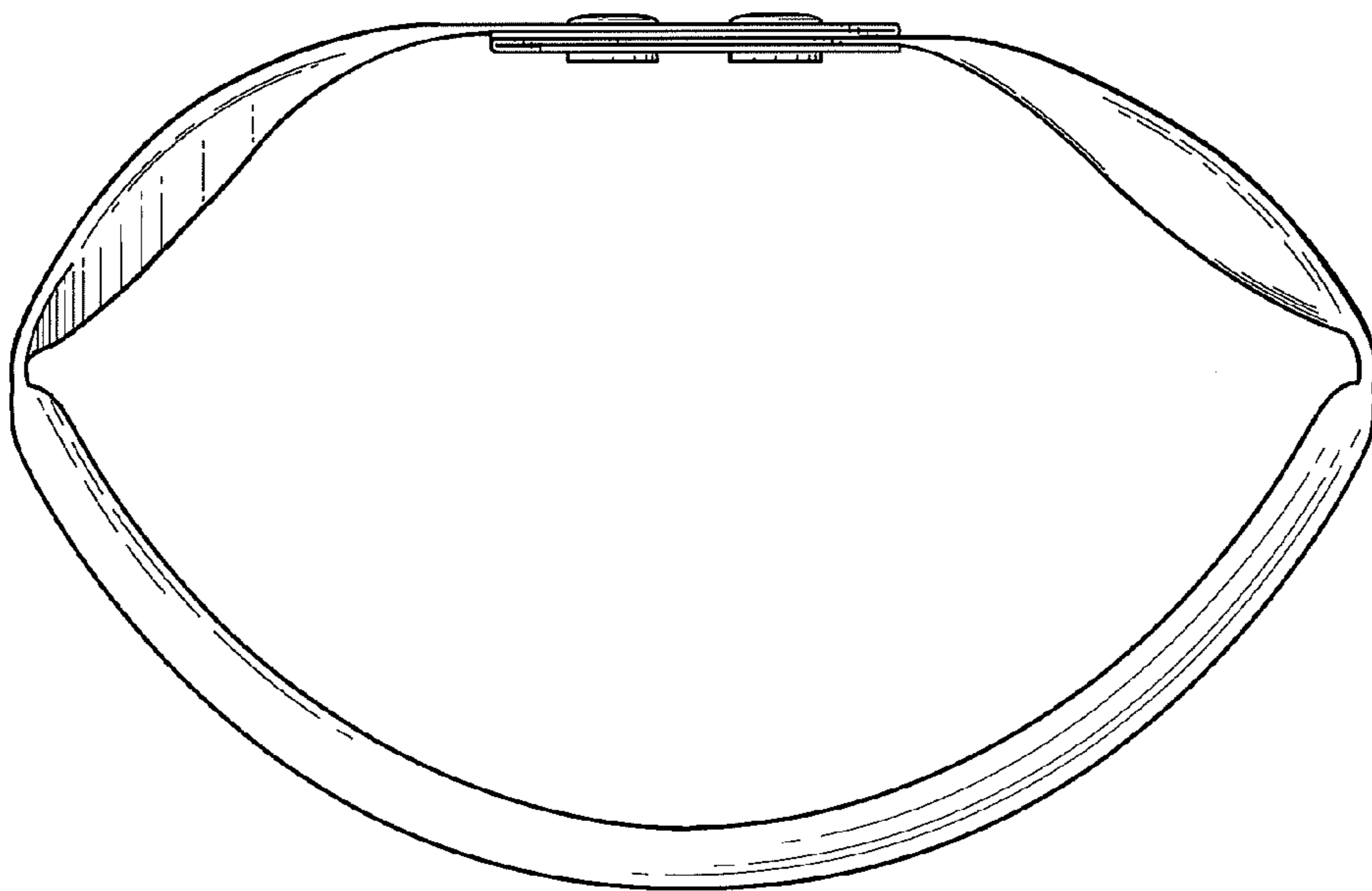


FIG. 7