



US00D743171S

(12) **United States Design Patent**
Reinhart

(10) **Patent No.:** **US D743,171 S**

(45) **Date of Patent:** **** Nov. 17, 2015**

- (54) **TOTE WITH WHEELS**
- (71) Applicant: **Shelves, LLC**, Findlay, OH (US)
- (72) Inventor: **Nickolas Reinhart**, Findlay, OH (US)
- (73) Assignee: **CREATIVE PLASTIC CONCEPTS, LLC**, Sycamore, OH (US)
- (**) Term: **14 Years**

D609,911	S	*	2/2010	Twig	D3/279
D649,783	S	*	12/2011	Brunner	D3/279
D660,589	S	*	5/2012	Ayjian	D3/260
D663,525	S	*	7/2012	Rhoades et al.	D3/314
D668,454	S	*	10/2012	Blanchard	D3/279
D677,892	S	*	3/2013	Van Ness	D3/294
D709,287	S	*	7/2014	Shitrit	D3/279
2005/0082305	A1	*	4/2005	Dais et al.	220/785
2009/0236810	A1	*	9/2009	Anderson et al.	280/47.34
2010/0000893	A1	*	1/2010	Twig et al.	206/373
2014/0197059	A1	*	7/2014	Evans et al.	206/349

- (21) Appl. No.: **29/496,492**
- (22) Filed: **Jul. 14, 2014**
- (51) **LOC (10) Cl.** **03-01**
- (52) **U.S. Cl.**
USPC **D3/304; D3/279**
- (58) **Field of Classification Search**
USPC D3/905, 276–284, 291, 294, 295, 298,
D3/901, 302, 272, 273, 274, 903, 304,
D3/307–309, 315, 314, 310, 312;
206/372–379, 508; 220/523–528, 826,
220/844
CPC B62B 2206/006; B62B 2202/12;
B62B 1/10; B62B 1/006; B62B 5/0013;
B65D 1/22; B65D 2543/00194; B65D
21/0209; B65D 2543/00296; B65D 21/02;
Y10T 16/184
See application file for complete search history.

OTHER PUBLICATIONS

Google image search “wheeled storage bin” date restricted to show results before Jul. 14, 2013. Accessed on May 29, 2015.*

* cited by examiner

Primary Examiner — Jennifer Rivard
Assistant Examiner — April Rivas
(74) *Attorney, Agent, or Firm* — Fraser Clemens Martin & Miller LLC; Jacob M. Ward

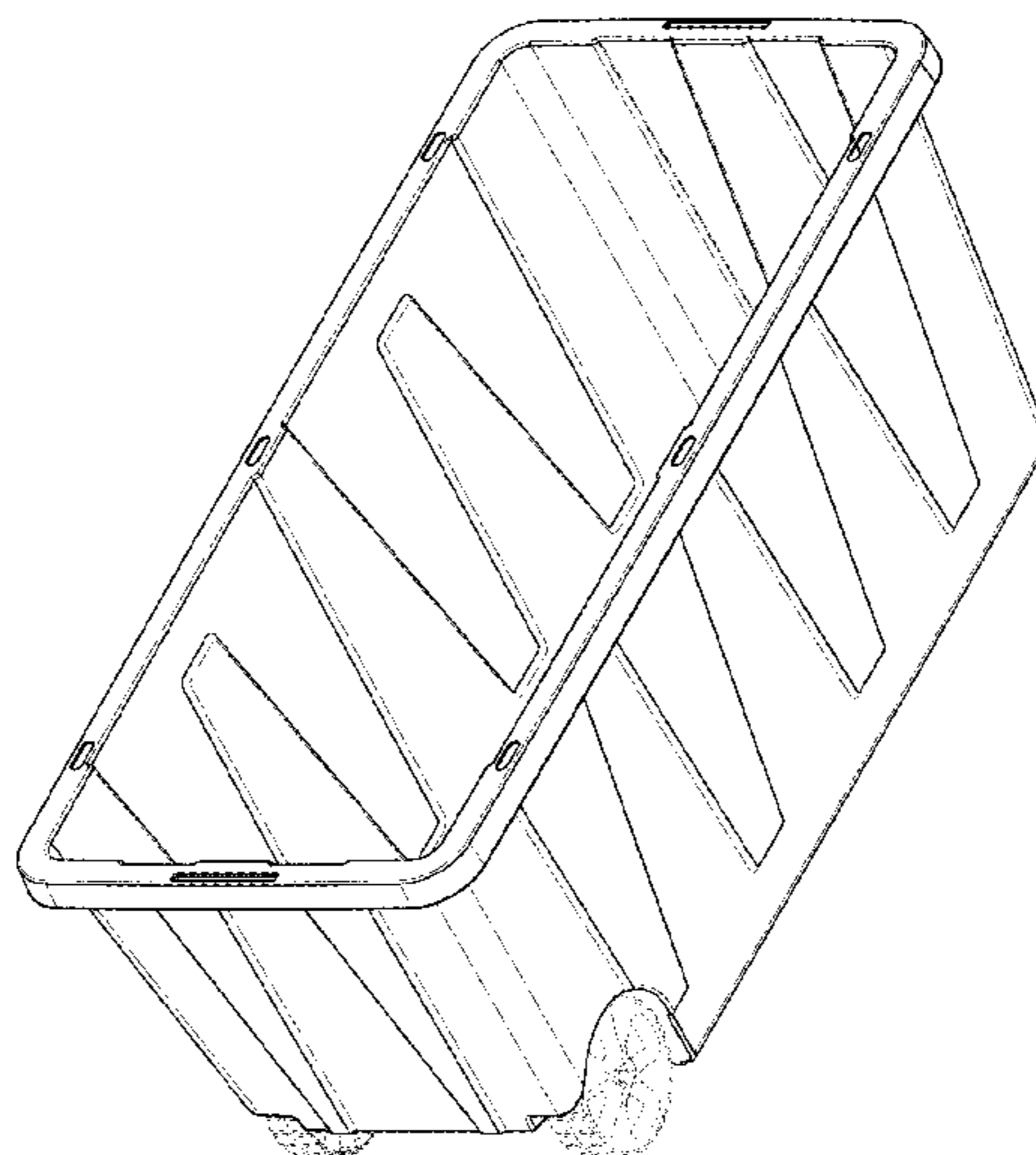
(57) **CLAIM**
The ornamental design for a tote with wheels, as shown and described.

DESCRIPTION

FIG. 1 is a front perspective view of a tote with wheels;
FIG. 2 is a top plan view thereof;
FIG. 3 is a bottom plan view thereof;
FIG. 4 is a front elevational view thereof;
FIG. 5 is a rear elevational view thereof; and,
FIG. 6 is a left side elevational view thereof.
A right side elevational view is not shown because it is a mirror image of the left side elevational view shown in FIG. 6. The broken lines illustrate portions of the tote with wheels and form no part of the claimed design. The ornamental design which is claimed is shown in solid lines in the drawings.

- (56) **References Cited**
U.S. PATENT DOCUMENTS
D197,311 S * 1/1964 Spaak D3/307
4,523,692 A * 6/1985 Lemkin 220/788
D358,765 S * 5/1995 Dickinson et al. D3/279
D373,022 S * 8/1996 Sagol D3/279
D391,396 S * 3/1998 Yemini D3/279
D421,678 S * 3/2000 Levy D3/279
6,193,247 B1 * 2/2001 Spear et al. 280/33.998
6,318,713 B1 * 11/2001 Levi 269/139
D574,150 S * 8/2008 Ross D3/279
D602,691 S * 10/2009 Kerr D3/279

1 Claim, 4 Drawing Sheets



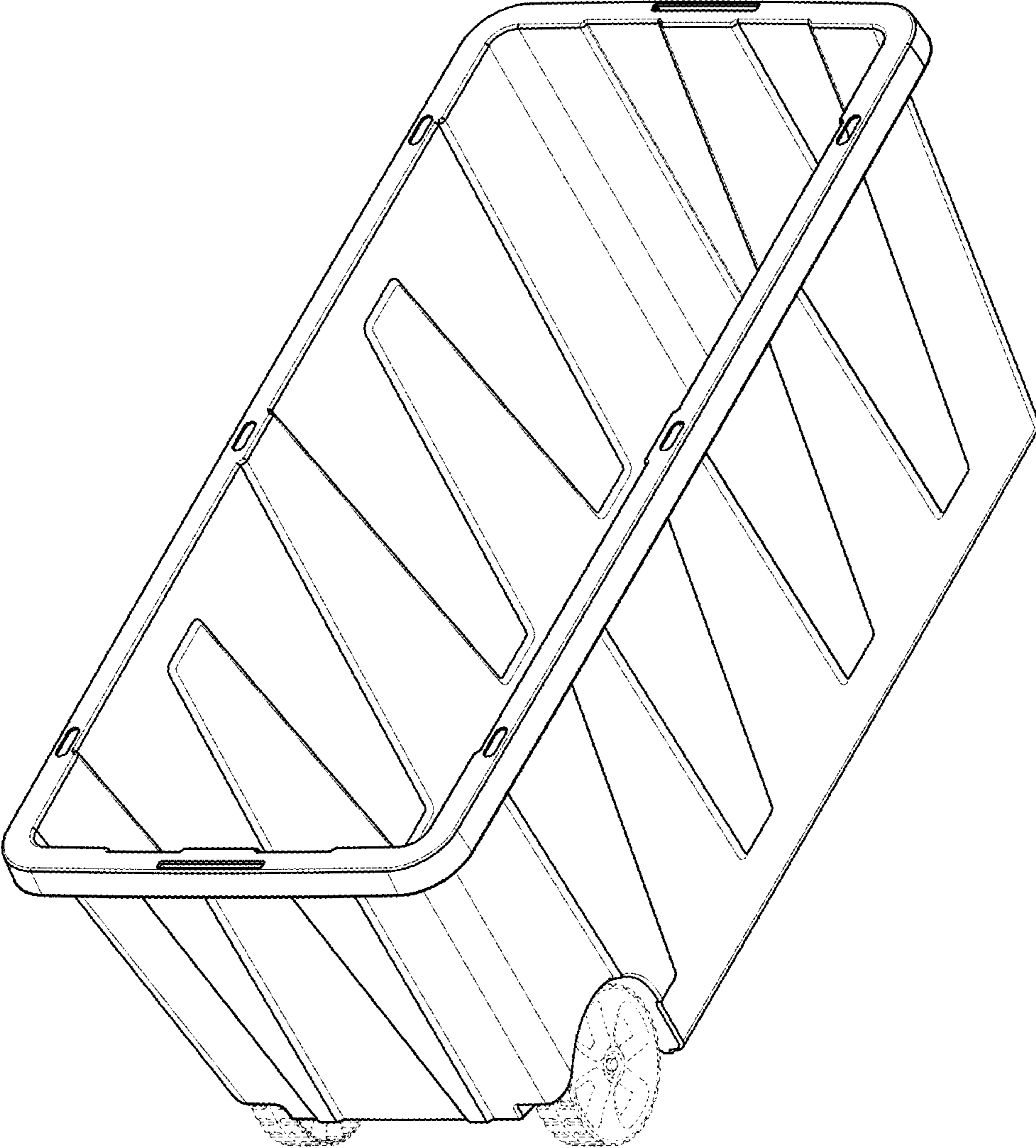


FIG. 1

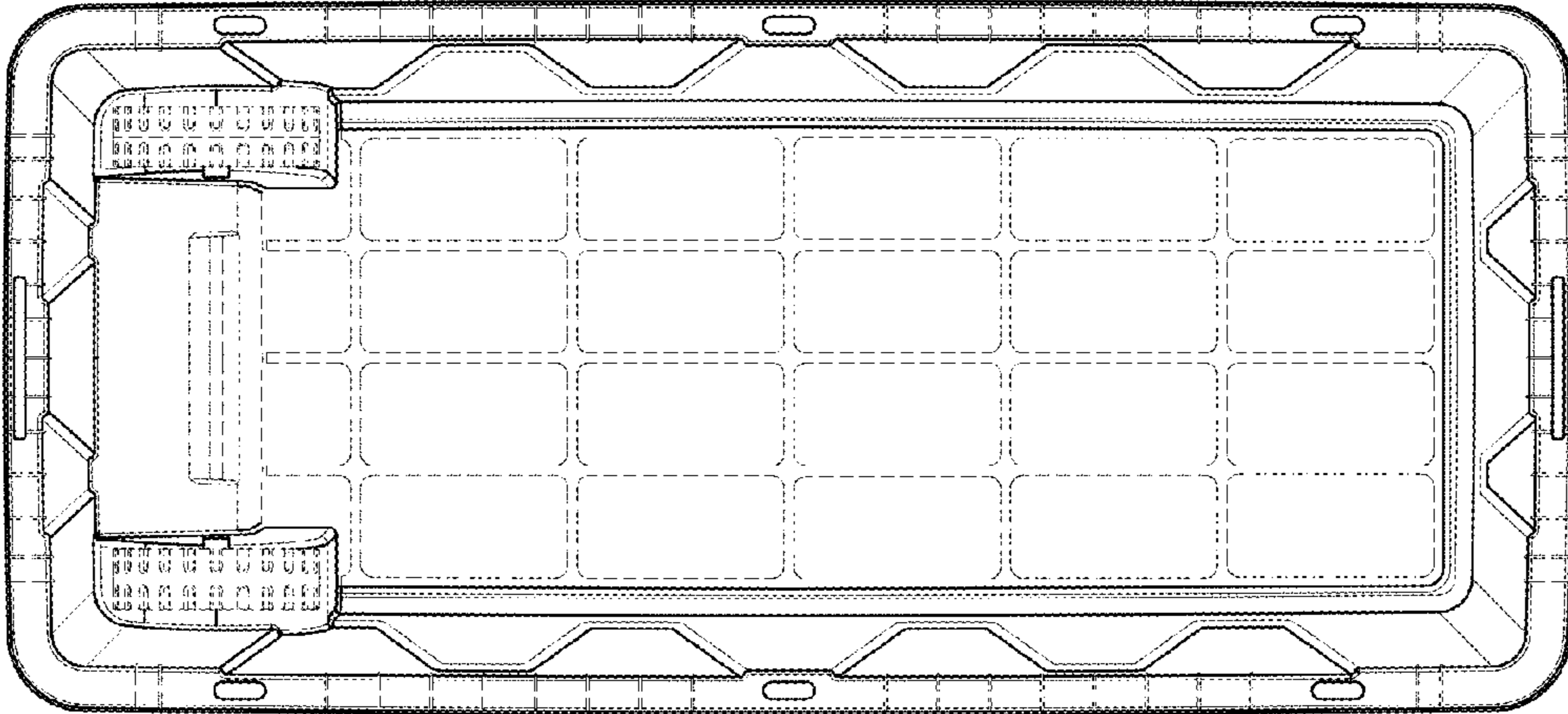


FIG. 3

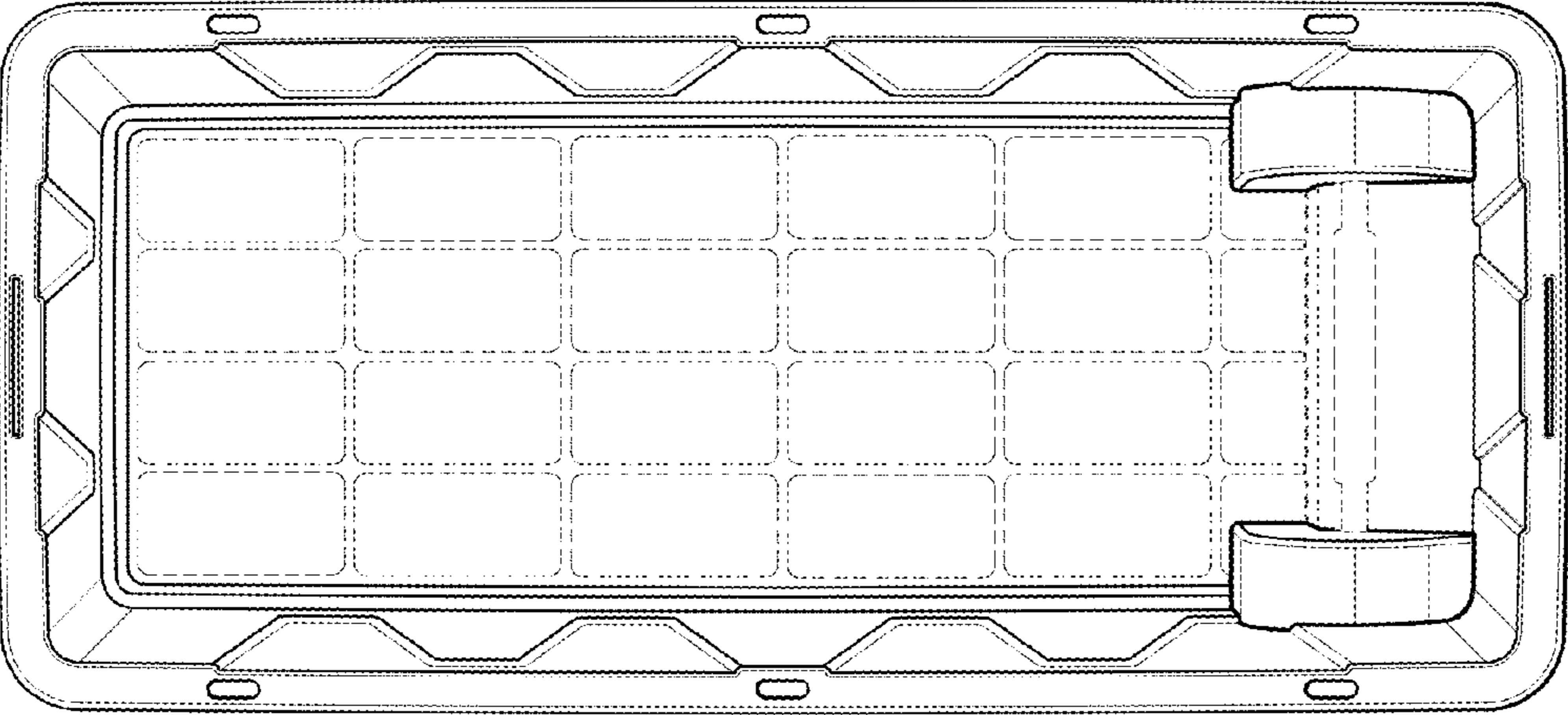


FIG. 2

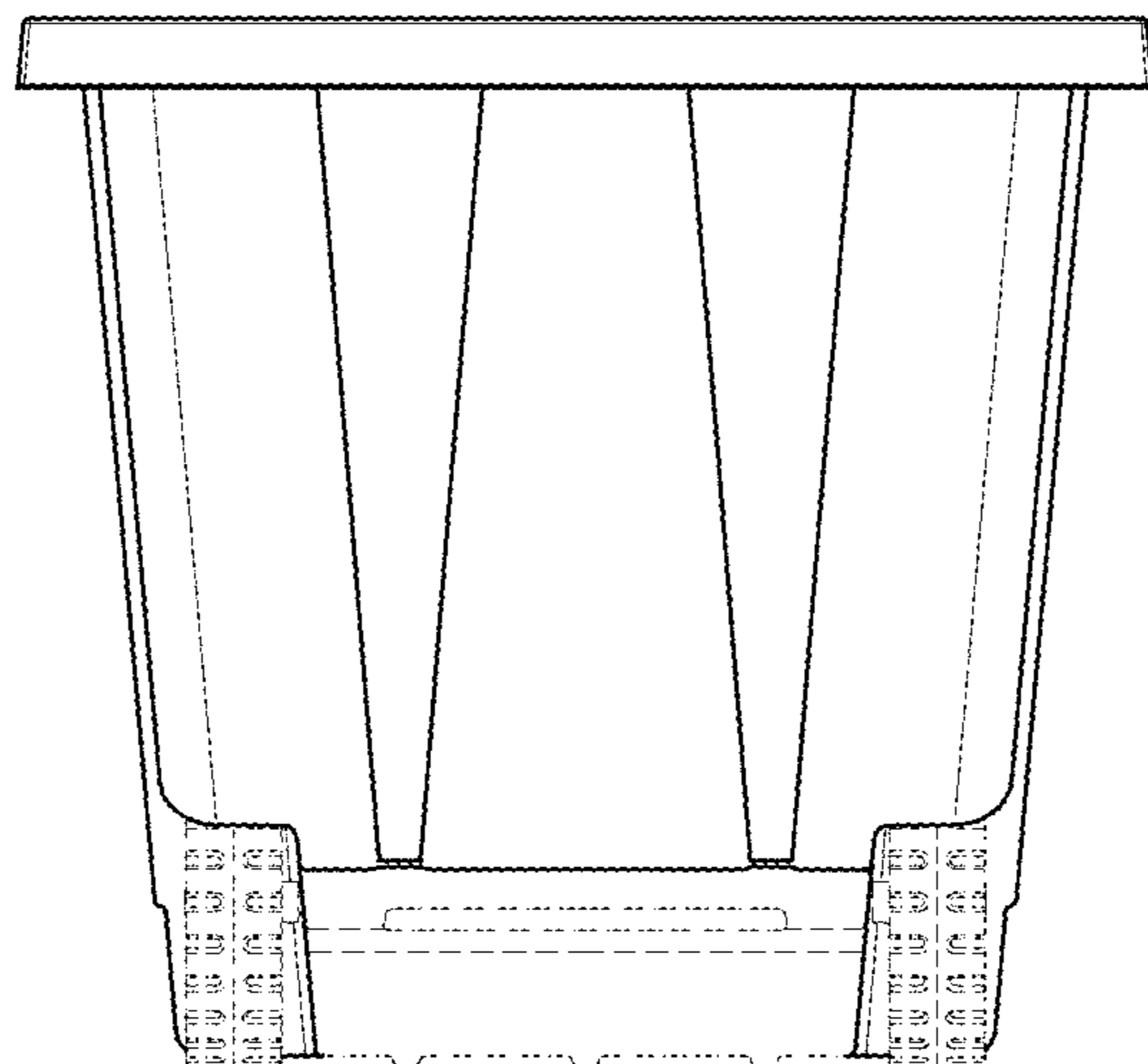


FIG. 4

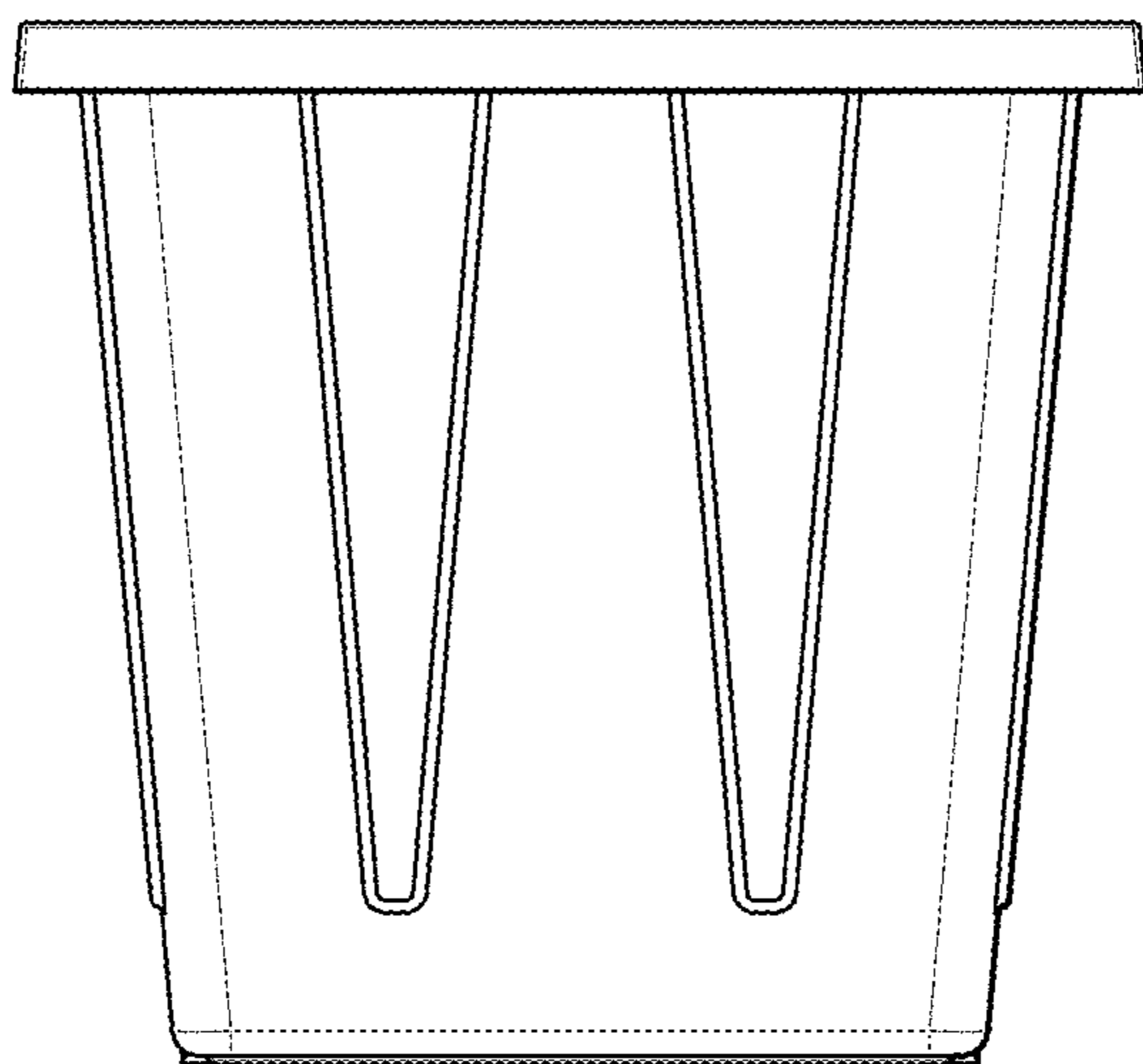


FIG. 5

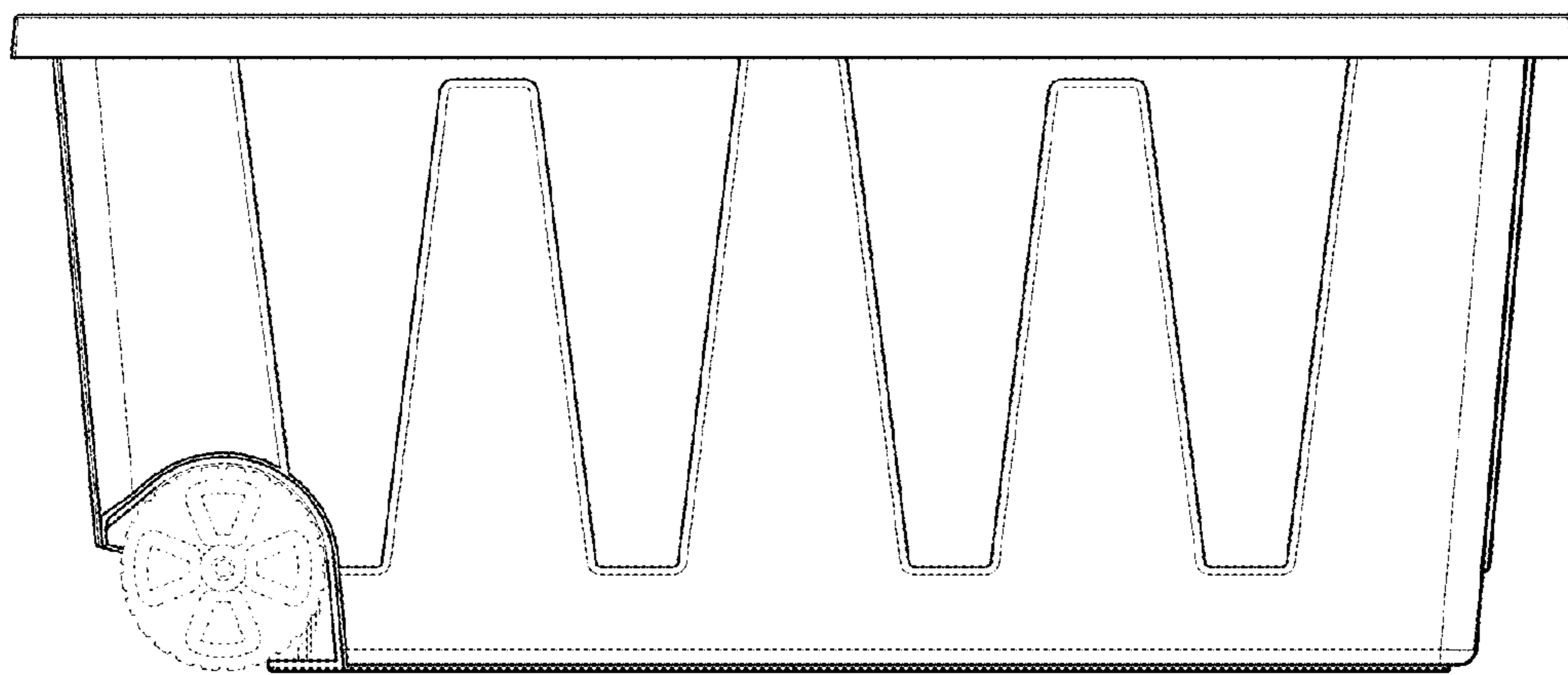


FIG. 6