



US00D743165S

(12) **United States Design Patent**  
**Ediger**

(10) **Patent No.:** **US D743,165 S**  
(45) **Date of Patent:** **\*\* Nov. 17, 2015**

(54) **POCKET SQUARE WALLET**

(71) Applicant: **Shelley Ediger**, Homewood (CA)

(72) Inventor: **Shelley Ediger**, Homewood (CA)

(\*\*) Term: **14 Years**

(21) Appl. No.: **29/506,238**

(22) Filed: **Oct. 14, 2014**

(51) **LOC (10) Cl.** ..... **03-01**

(52) **U.S. Cl.**  
USPC ..... **D3/248**

(58) **Field of Classification Search**

USPC ..... D3/232–233, 240–243, 245–246

CPC ..... A45C 1/024; A45C 3/06

See application file for complete search history.

(56) **References Cited**

U.S. PATENT DOCUMENTS

940,853	A *	11/1909	Cardwell	.....	150/132
3,162,227	A *	12/1964	Bakken	.....	150/136
5,409,153	A *	4/1995	Ristich	.....	224/661
D471,704	S *	3/2003	Moore	.....	D3/247

\* cited by examiner

*Primary Examiner* — Holly Baynham

(74) *Attorney, Agent, or Firm* — Kyle R. Satterthwaite; Ryan W. Dupis; Ade & Company, Inc

(57) **CLAIM**

The ornamental design for a pocket square wallet, as shown and described.

**DESCRIPTION**

FIG. 1 is a front view of a first embodiment of the pocket square wallet in an open position.

FIG. 2 is a rear view of the first embodiment pocket square wallet in the open position.

FIG. 3 is a front view of the first embodiment pocket square wallet in a closed position.

FIG. 4 a bottom view of the first embodiment pocket square wallet in the closed position.

FIG. 5 a top view of the first embodiment pocket square wallet in the closed position.

FIG. 6 is a left side view of the first embodiment pocket square wallet in the closed position.

FIG. 7 is a rear view of the first embodiment pocket square wallet in the closed position.

FIG. 8 is a right side view of the first embodiment pocket square wallet in the closed position.

FIG. 9 is a reduced scale front view of the first embodiment pocket square wallet in use in the closed position in the breast pocket of a suit jacket, which is shown in broken lines and forms no part of the claimed design.

FIG. 10 is a front view of the open position of a second embodiment of the pocket square wallet, which is a mirror image of the first embodiment in all views.

FIG. 11 is a front view of a third embodiment of the pocket square wallet in an open position.

FIG. 12 is a rear view of the third embodiment pocket square wallet in the open position.

FIG. 13 is a front view of the third embodiment pocket square wallet in the closed position.

FIG. 14 a bottom view of the third embodiment pocket square wallet in the closed position.

FIG. 15 a top view of the third embodiment pocket square wallet in the closed position.

FIG. 16 is a left side view of the third embodiment pocket square wallet in the closed position.

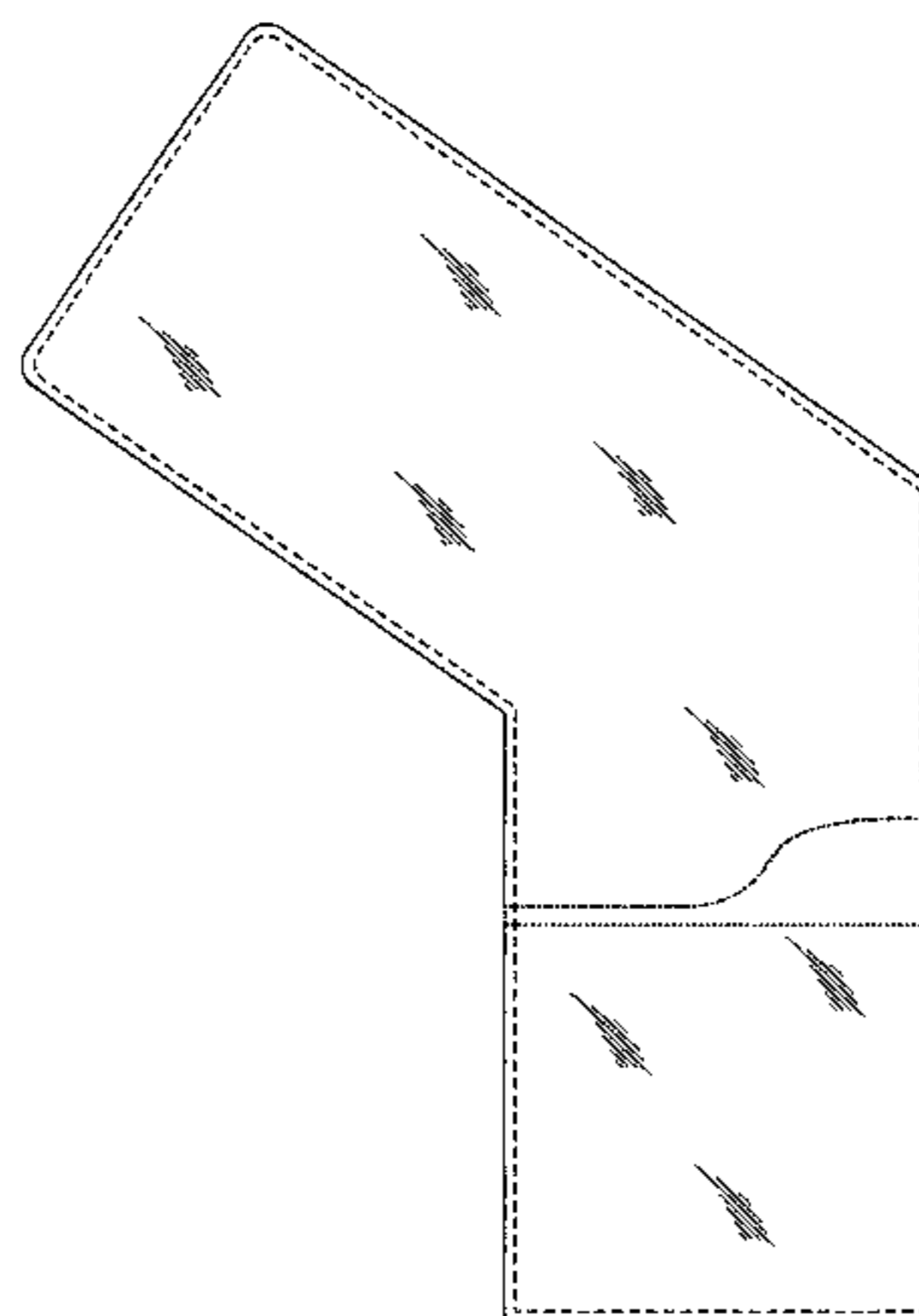
FIG. 17 is a rear view of the third embodiment pocket square wallet in the closed position.

FIG. 18 is a right side view of the third embodiment pocket square wallet in the closed position; and,

FIG. 19 is a front view of the open position of a fourth embodiment of the pocket square wallet, which is a mirror image of the third embodiment in all views.

The evenly spaced broken lines are for the purposes of representing stitching and form no part of the claimed design. The dot-dashed lines represent a portion of the wallet that is not part of the claimed design. The smaller evenly spaced broken lines represent an imaginary boundary of the unclaimed portion of the wallet and these lines are not part of the claimed design.

**1 Claim, 11 Drawing Sheets**



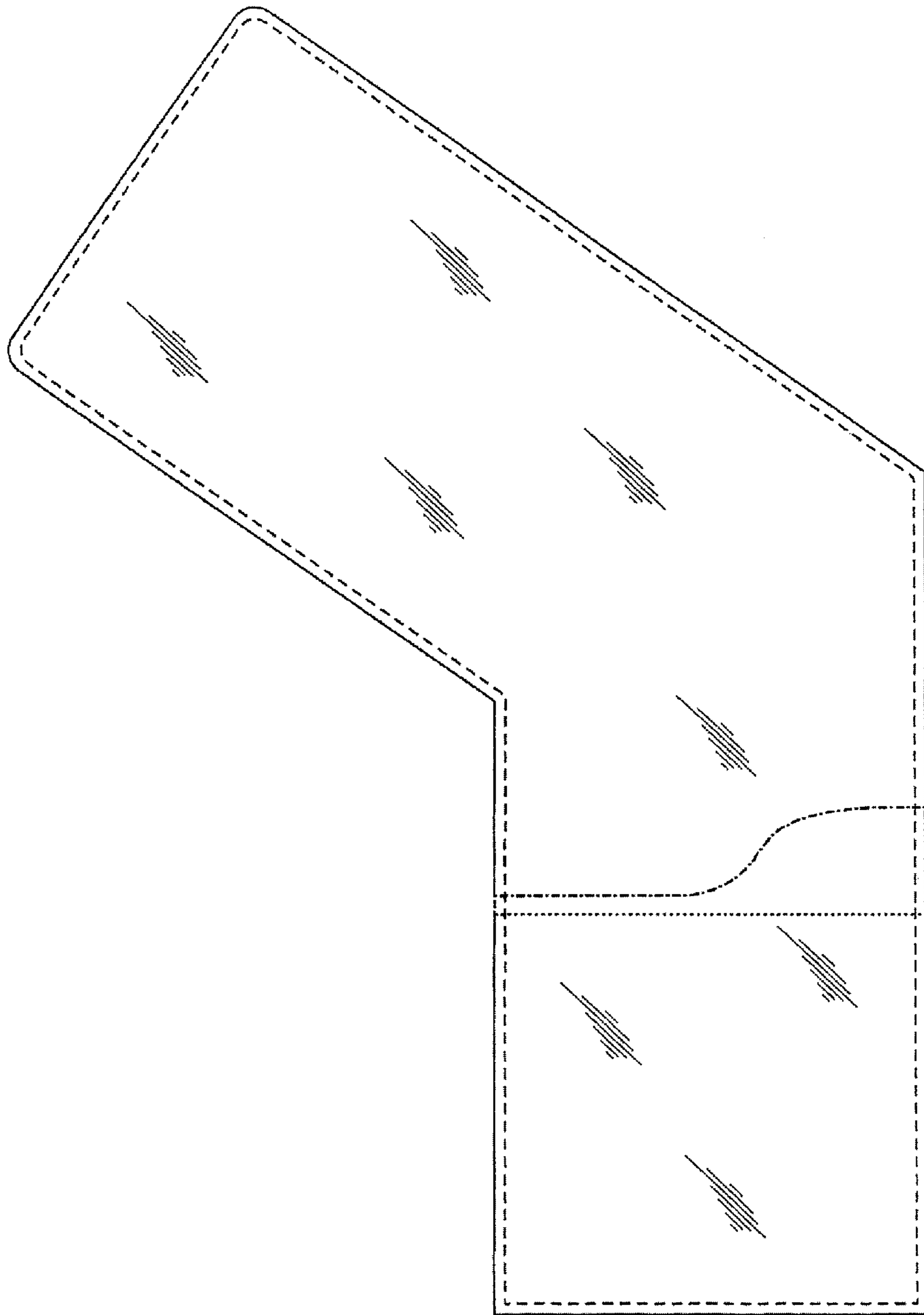


FIG. 1

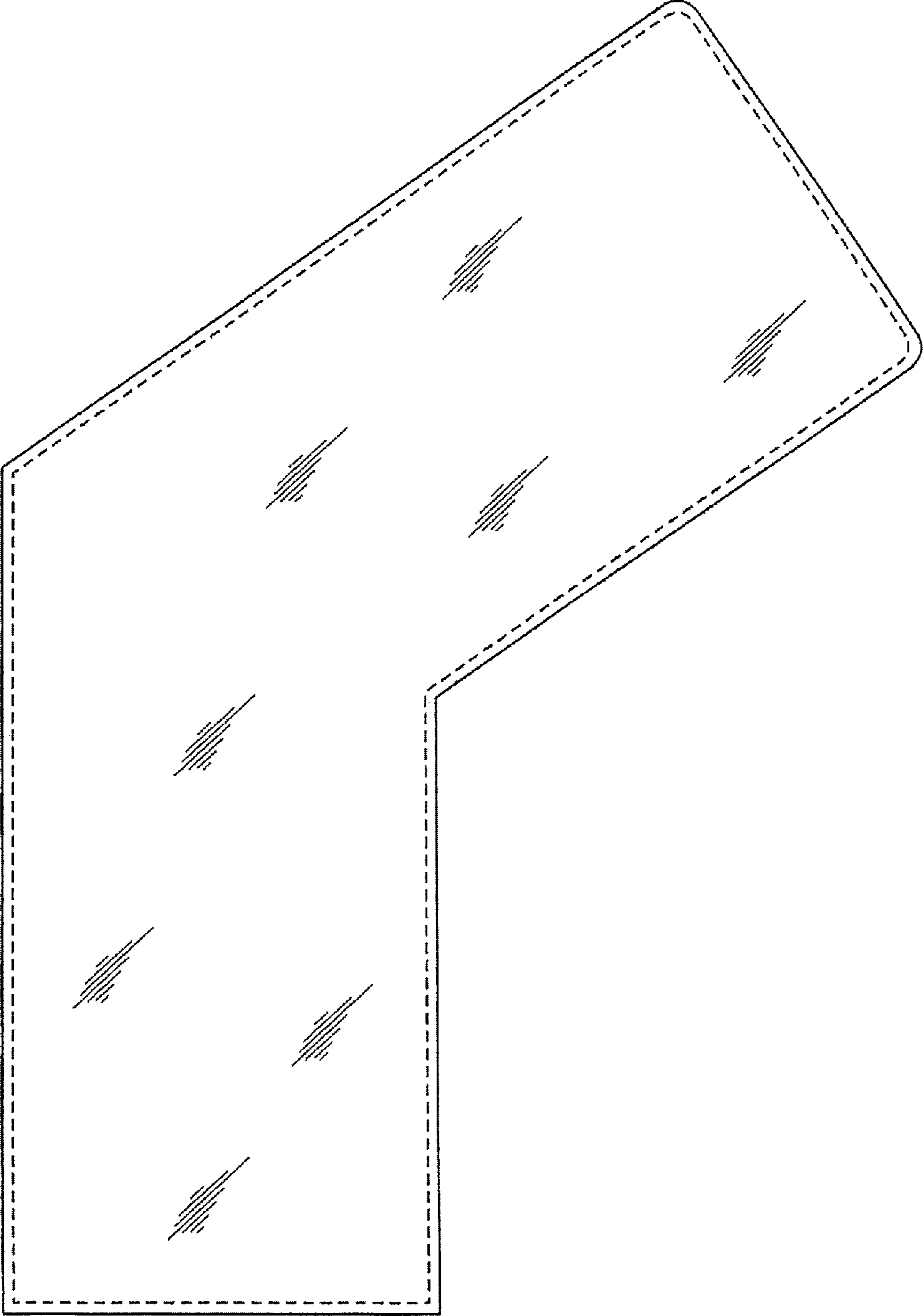


FIG. 2

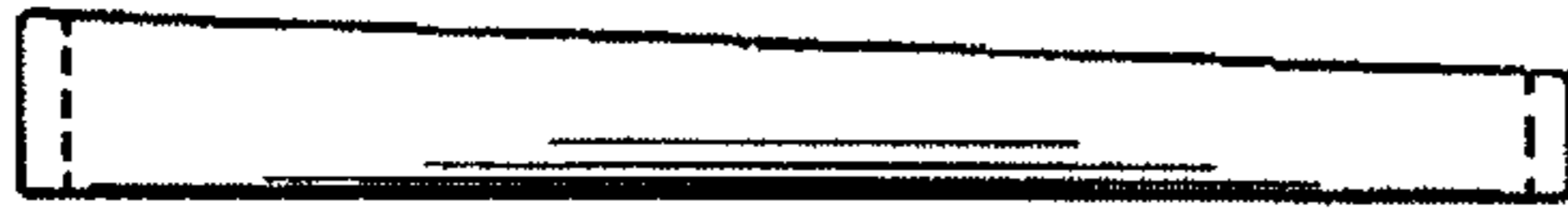


FIG. 5

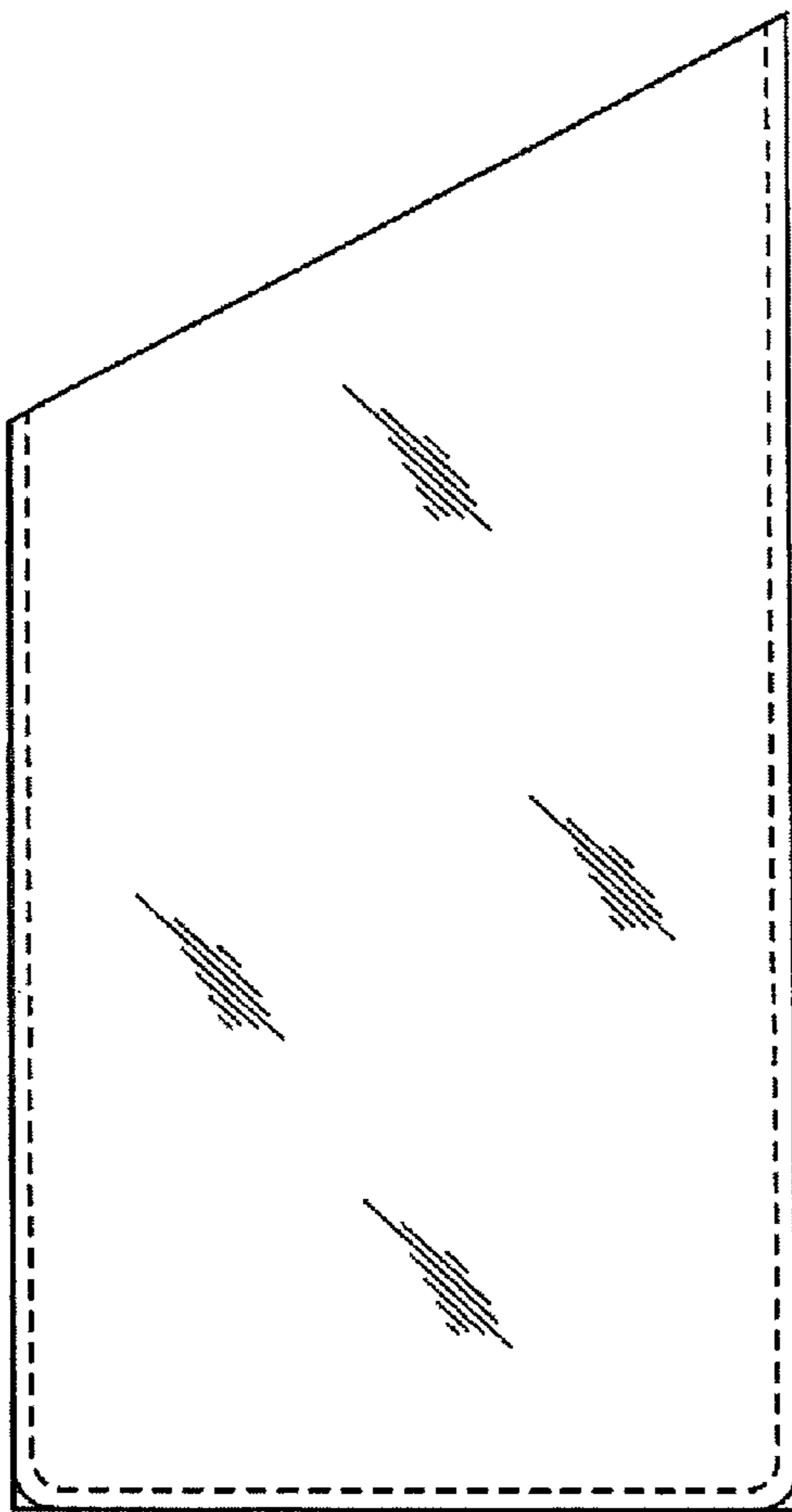


FIG. 3

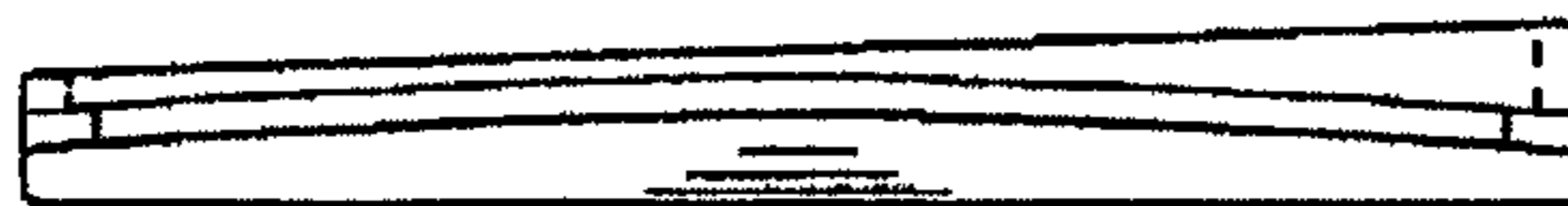
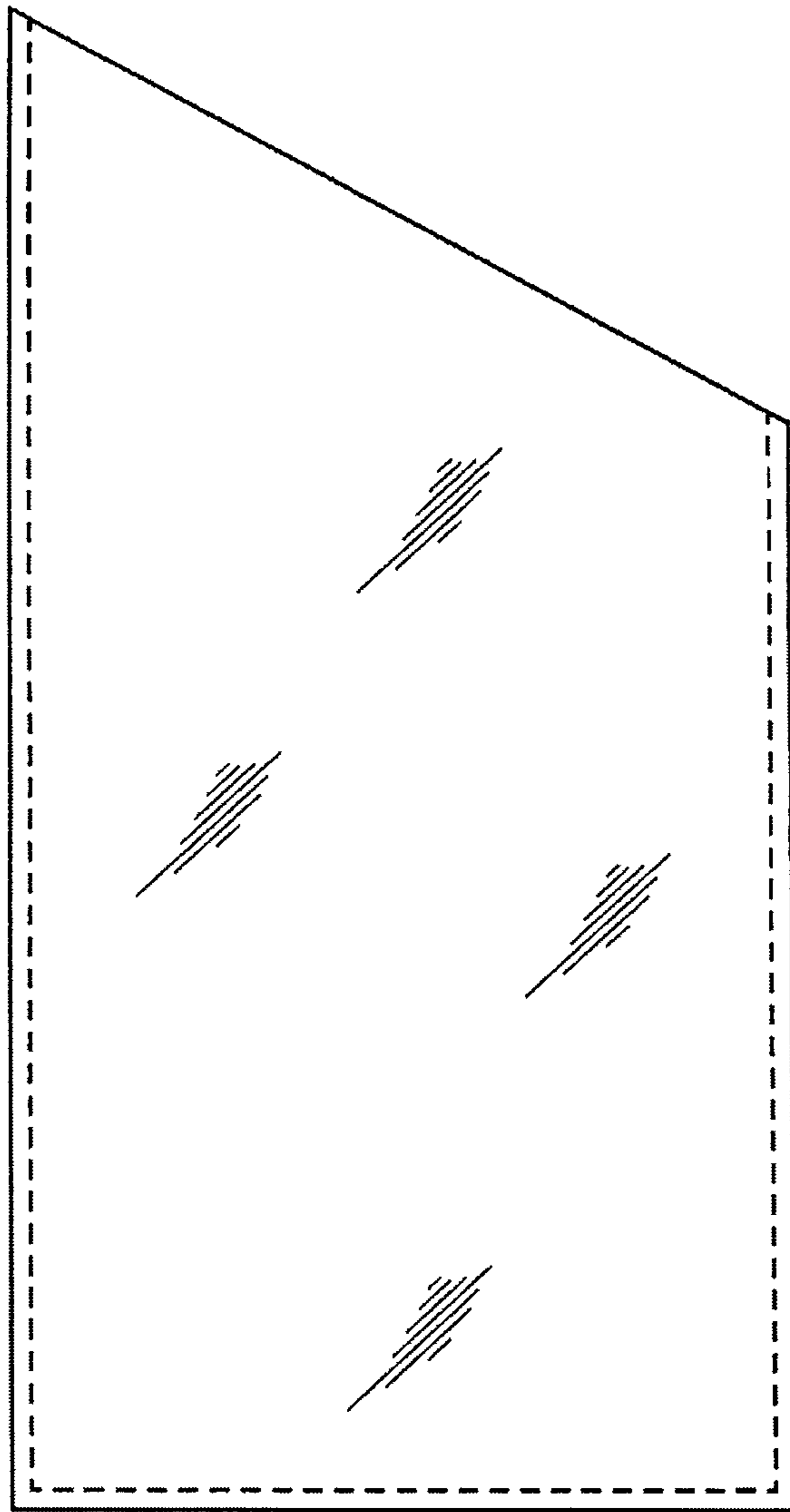


FIG. 4



FIG. 6



**FIG. 7**



**FIG. 8**

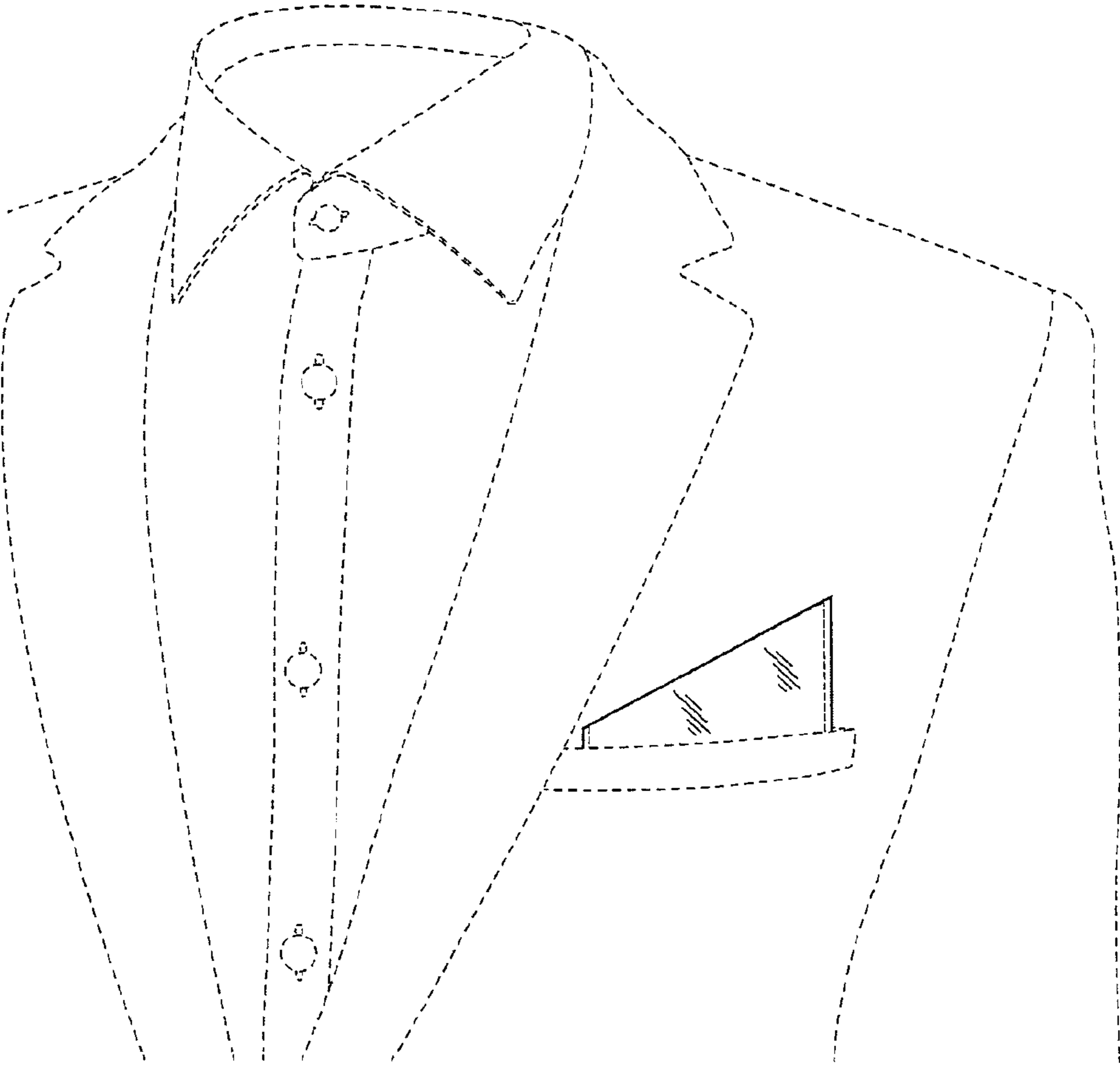


FIG. 9



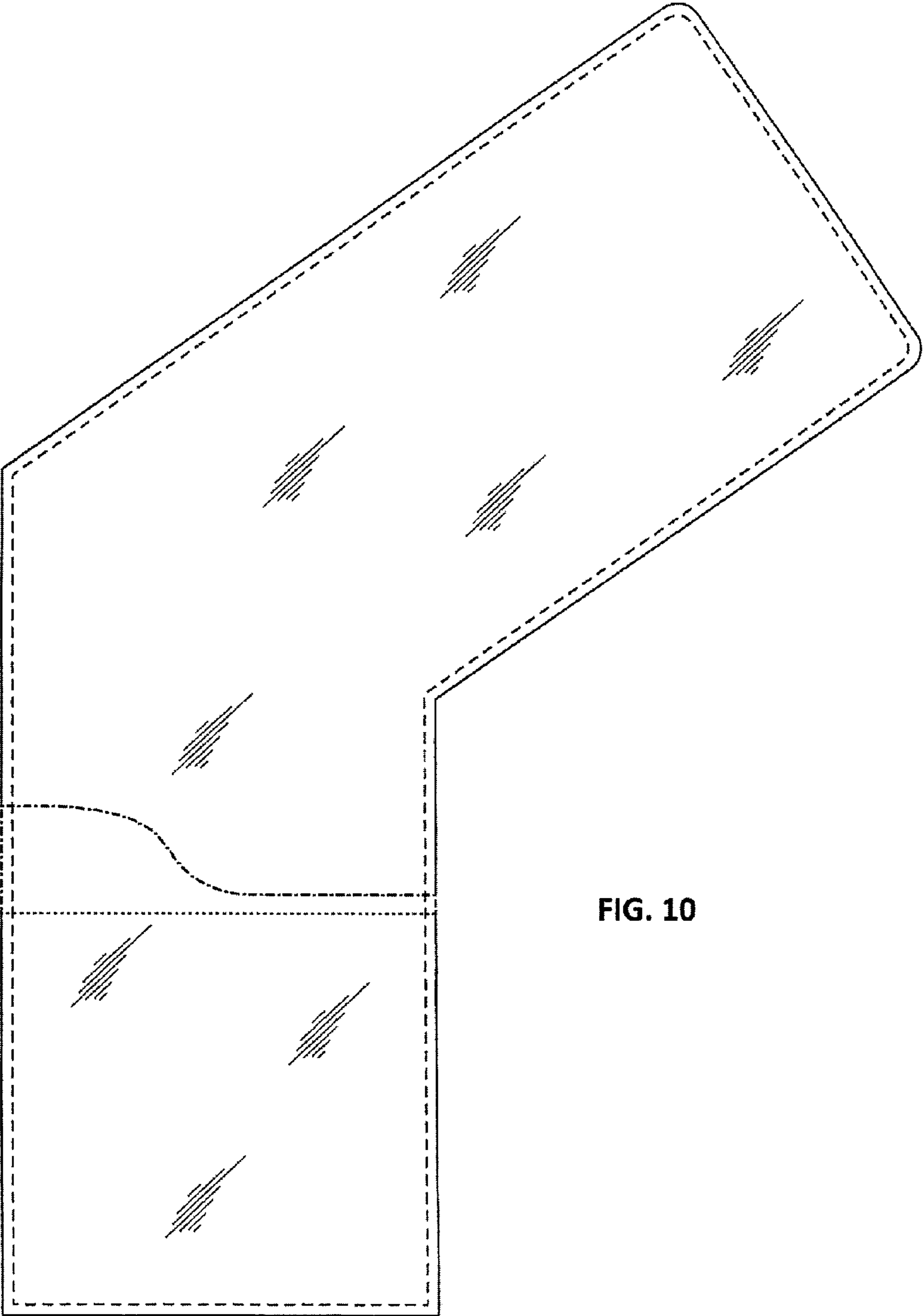
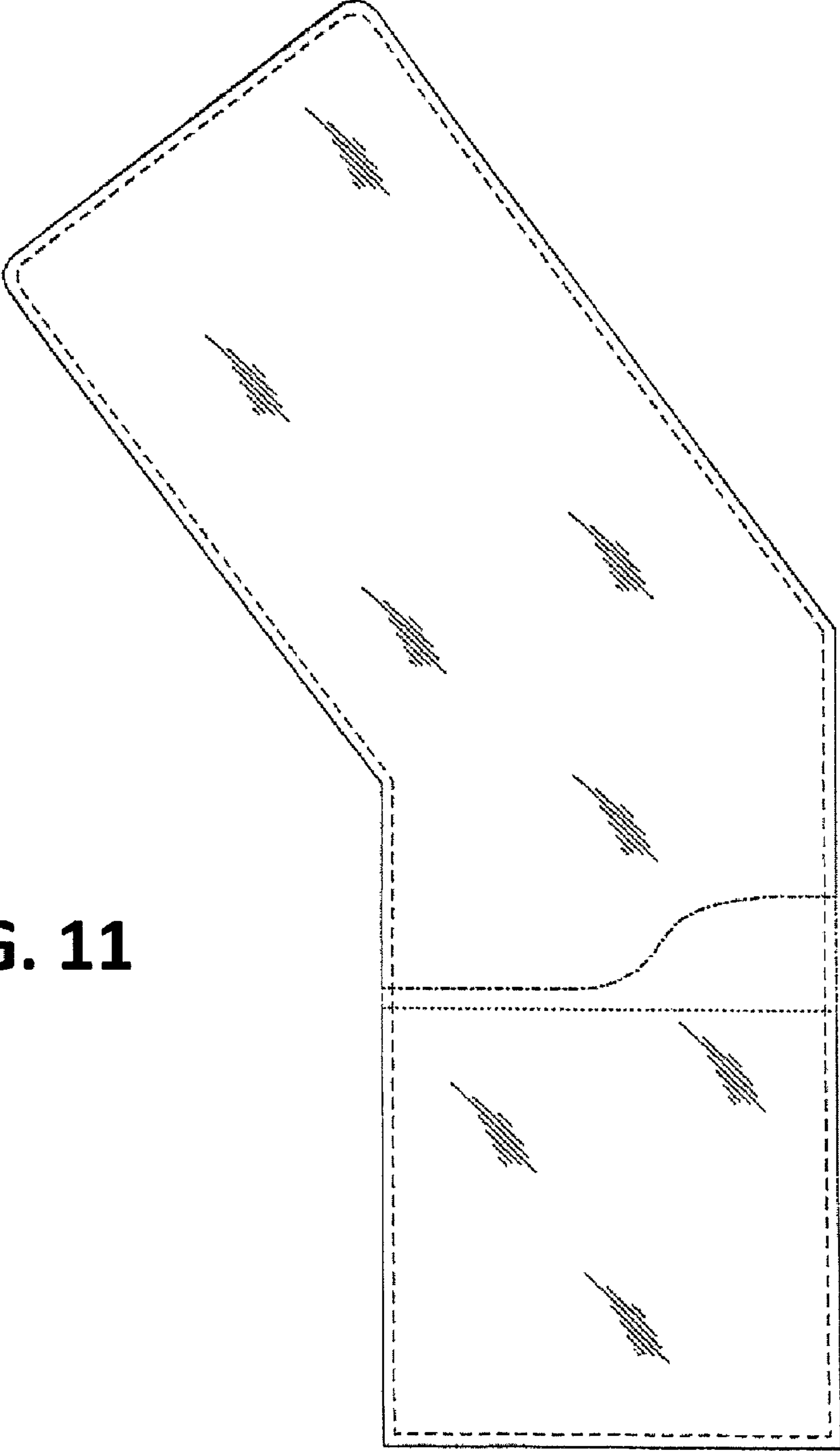
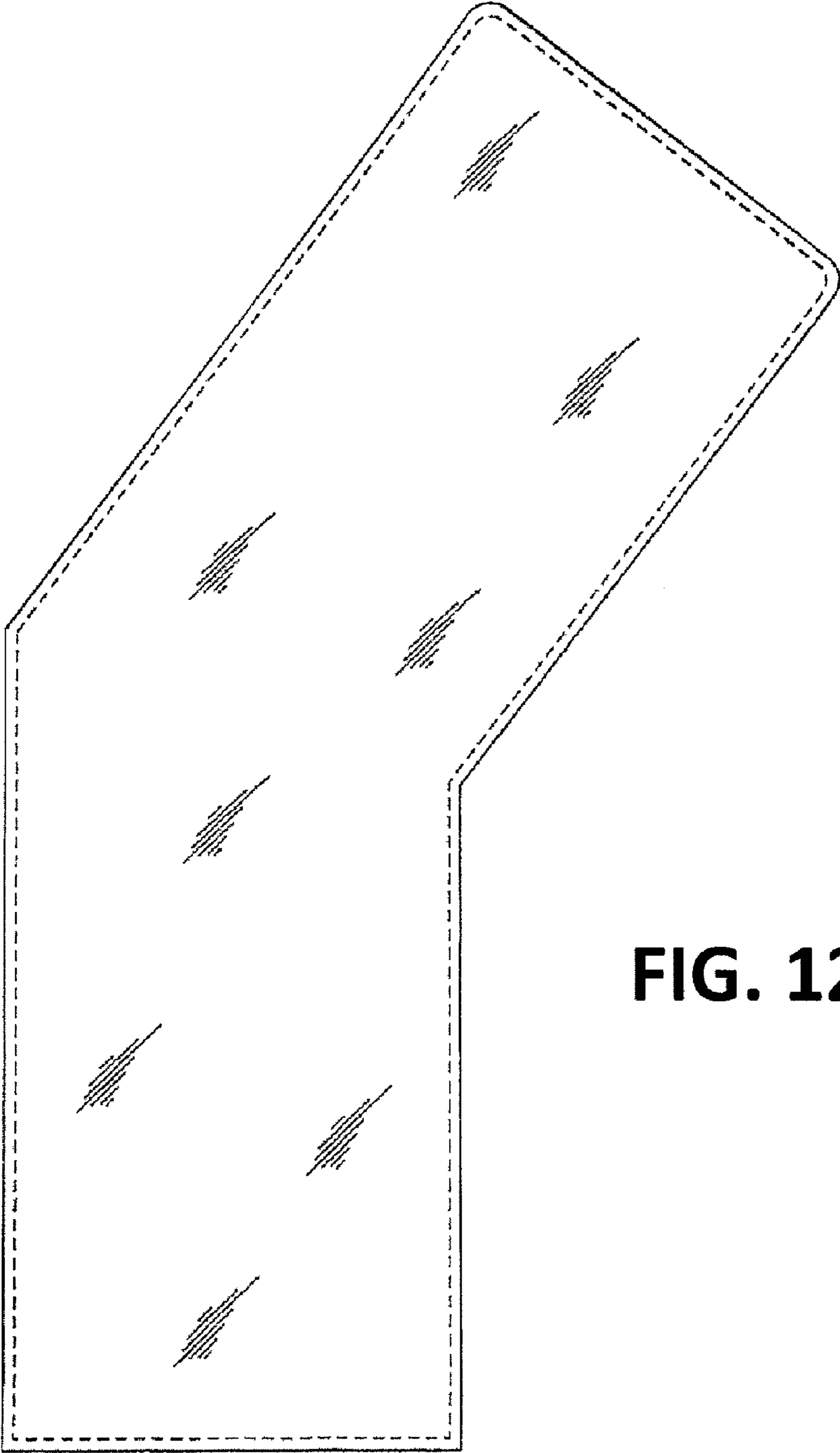


FIG. 10



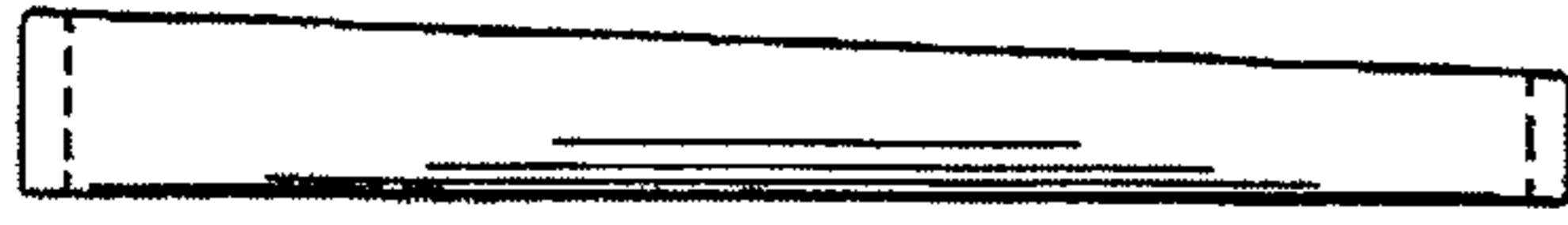
**FIG. 11**



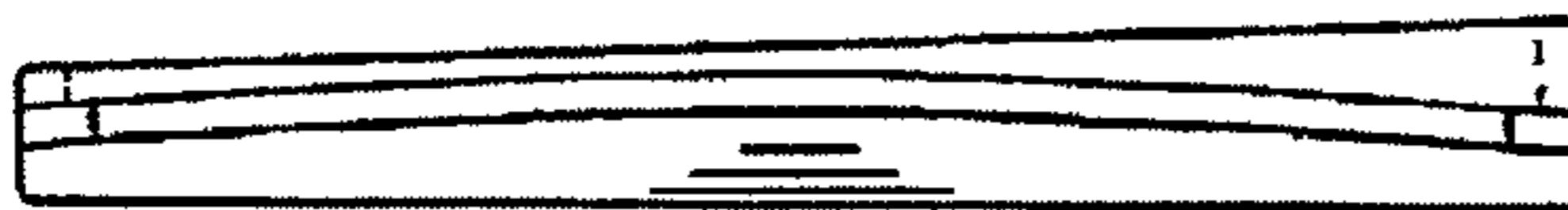
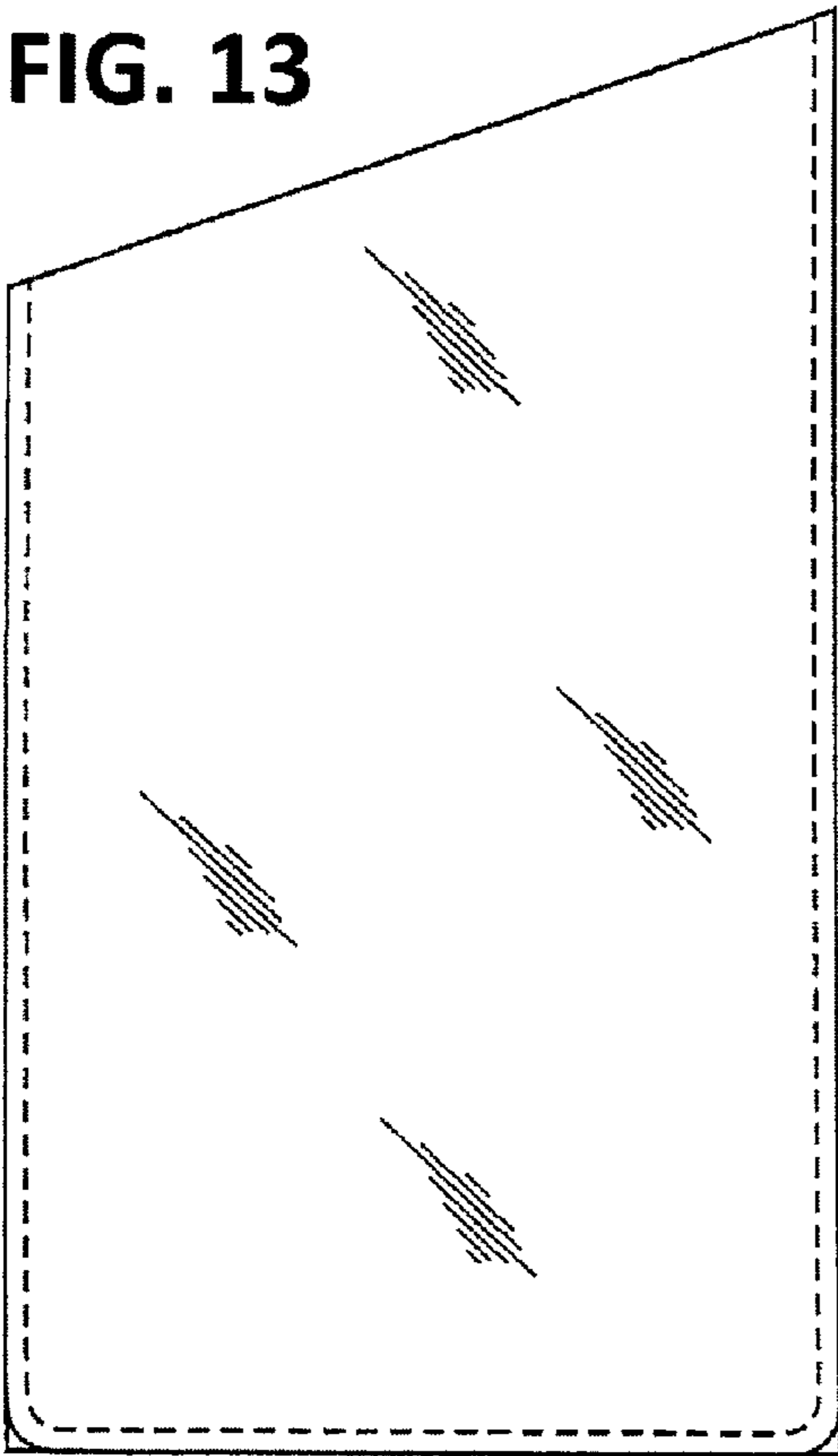


**FIG. 12**

**FIG. 15**



**FIG. 13**



**FIG. 14**



**FIG. 16**

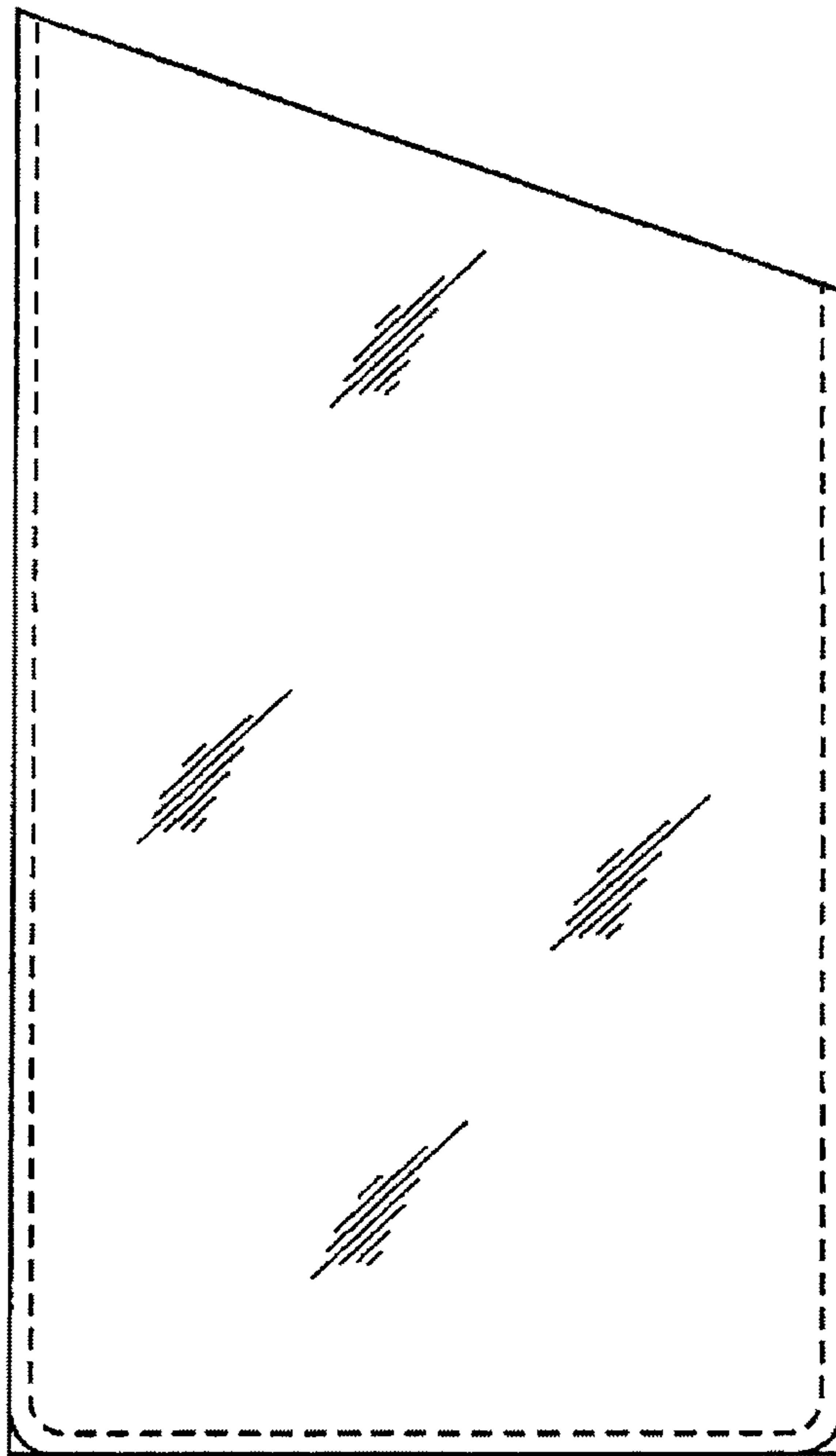
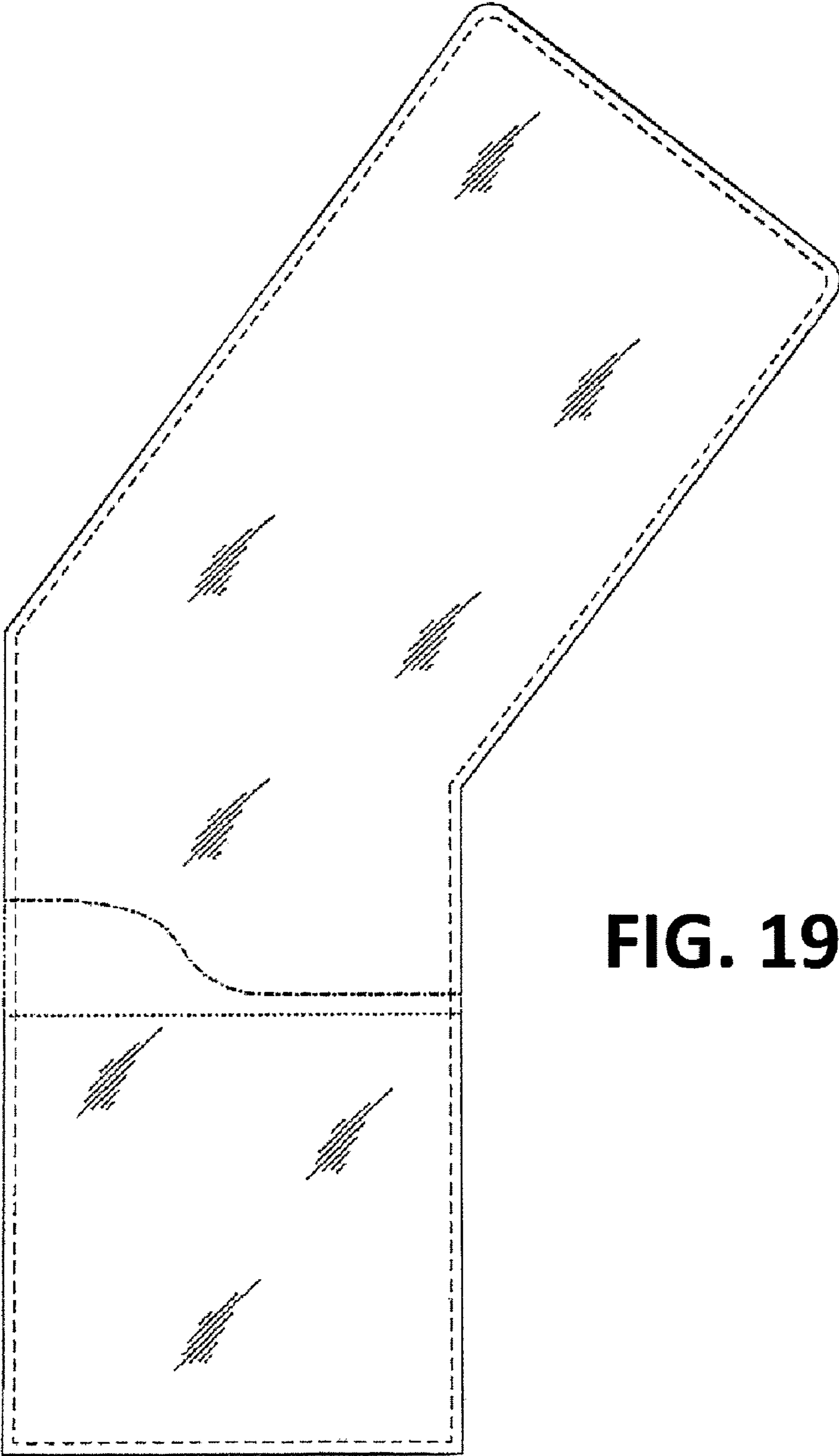


FIG. 17



FIG. 18



**FIG. 19**