



US00D743163S

(12) **United States Design Patent**
Alamdar

(10) **Patent No.:** **US D743,163 S**

(45) **Date of Patent:** **** Nov. 17, 2015**

(54) **SADDLEBAG**

Primary Examiner — Holly Baynham

(71) Applicant: **Husnain Alamdar**, San gabriel, CA
(US)

(72) Inventor: **Husnain Alamdar**, San gabriel, CA
(US)

(**) Term: **14 Years**

(21) Appl. No.: **29/507,781**

(22) Filed: **Oct. 30, 2014**

(51) **LOC (10) Cl.** **03-01**

(52) **U.S. Cl.**
USPC **D3/231**

(58) **Field of Classification Search**
USPC D3/231
CPC A45F 3/00; A45F 3/02; A45F 3/04
See application file for complete search history.

(56) **References Cited**

U.S. PATENT DOCUMENTS

D710,604 S *	8/2014	Alamdar	D3/231
D710,605 S *	8/2014	Alamdar	D3/231
D710,606 S *	8/2014	Alamdar	D3/231
D711,093 S *	8/2014	Alamdar	D3/231

* cited by examiner

(57) **CLAIM**

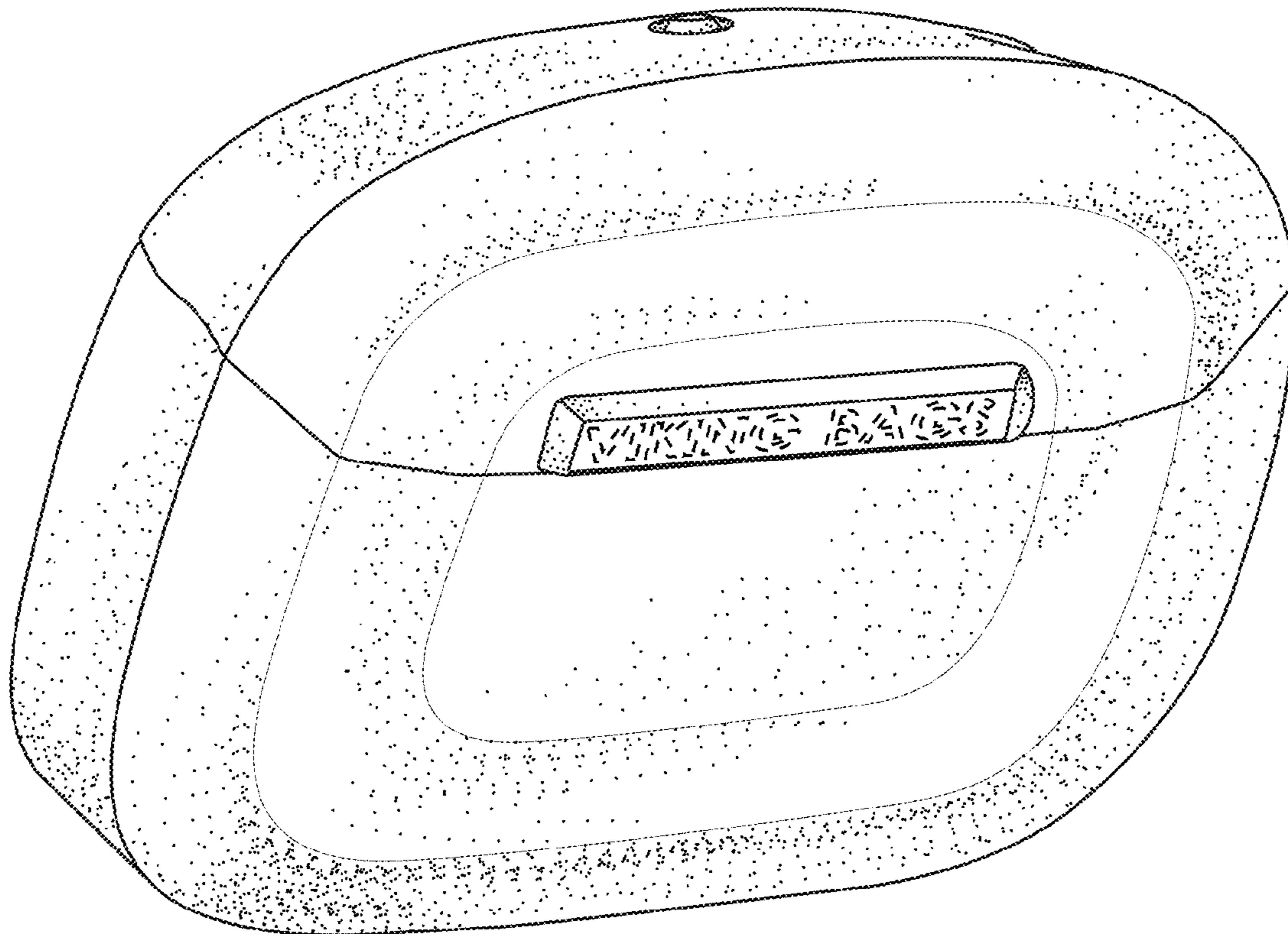
The ornamental design for a saddlebag, as shown and described.

DESCRIPTION

FIG. 1 is a perspective view of a saddlebag;
 FIG. 2 is a front elevation view thereof;
 FIG. 3 is a rear elevation view thereof;
 FIG. 4 is a right-side elevation view thereof;
 FIG. 5 is a left-side elevation view thereof;
 FIG. 6 is a top plan view thereof;
 FIG. 7 is a bottom plan view thereof; and,
 FIG. 8 is a perspective view of the saddlebag with the top folded open, revealing the interior of the saddlebag.

The broken line showing letters is included for the purpose of illustrating environmental structure and forms no part of the claimed design.

1 Claim, 8 Drawing Sheets



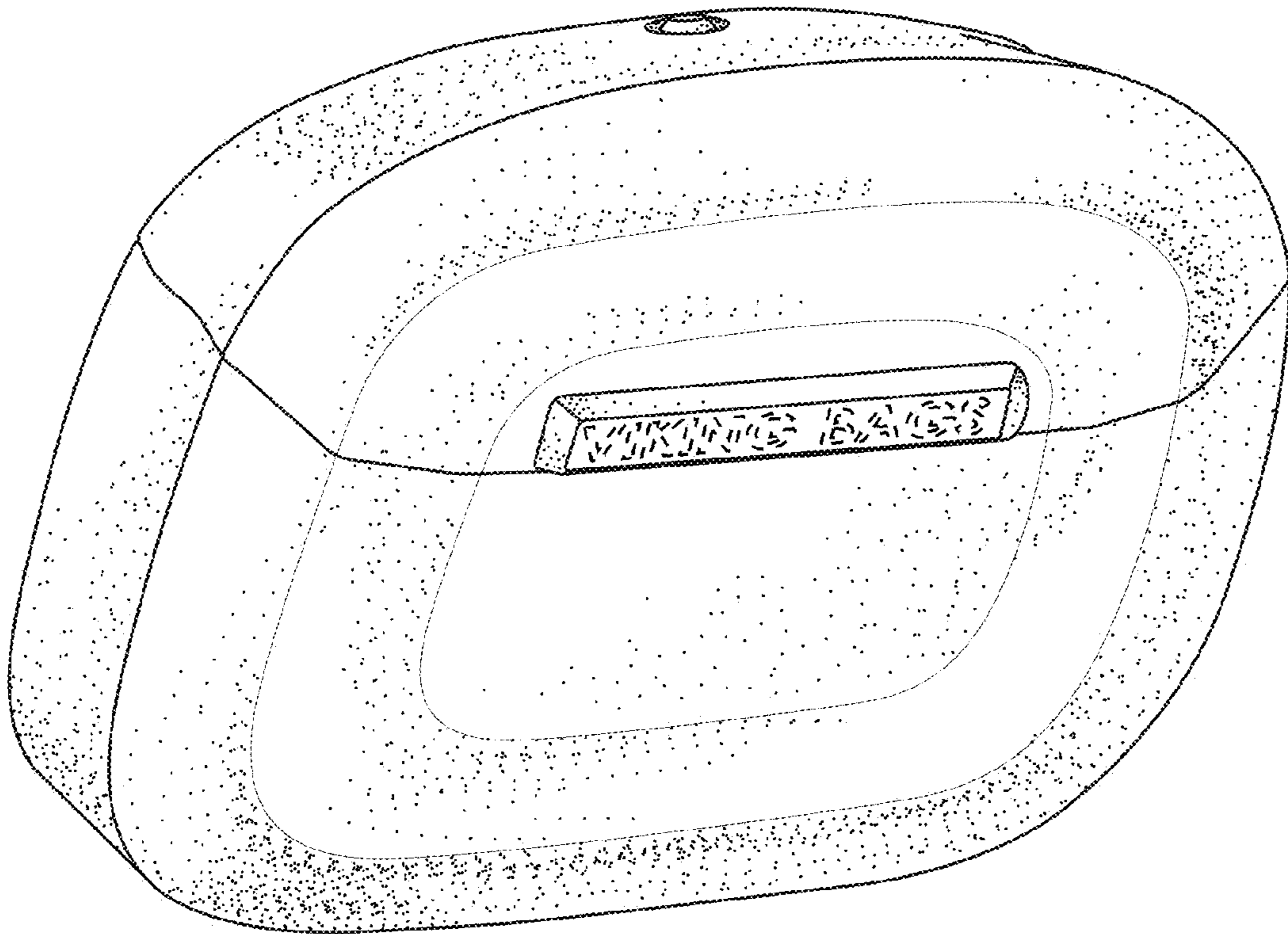


FIG. 1

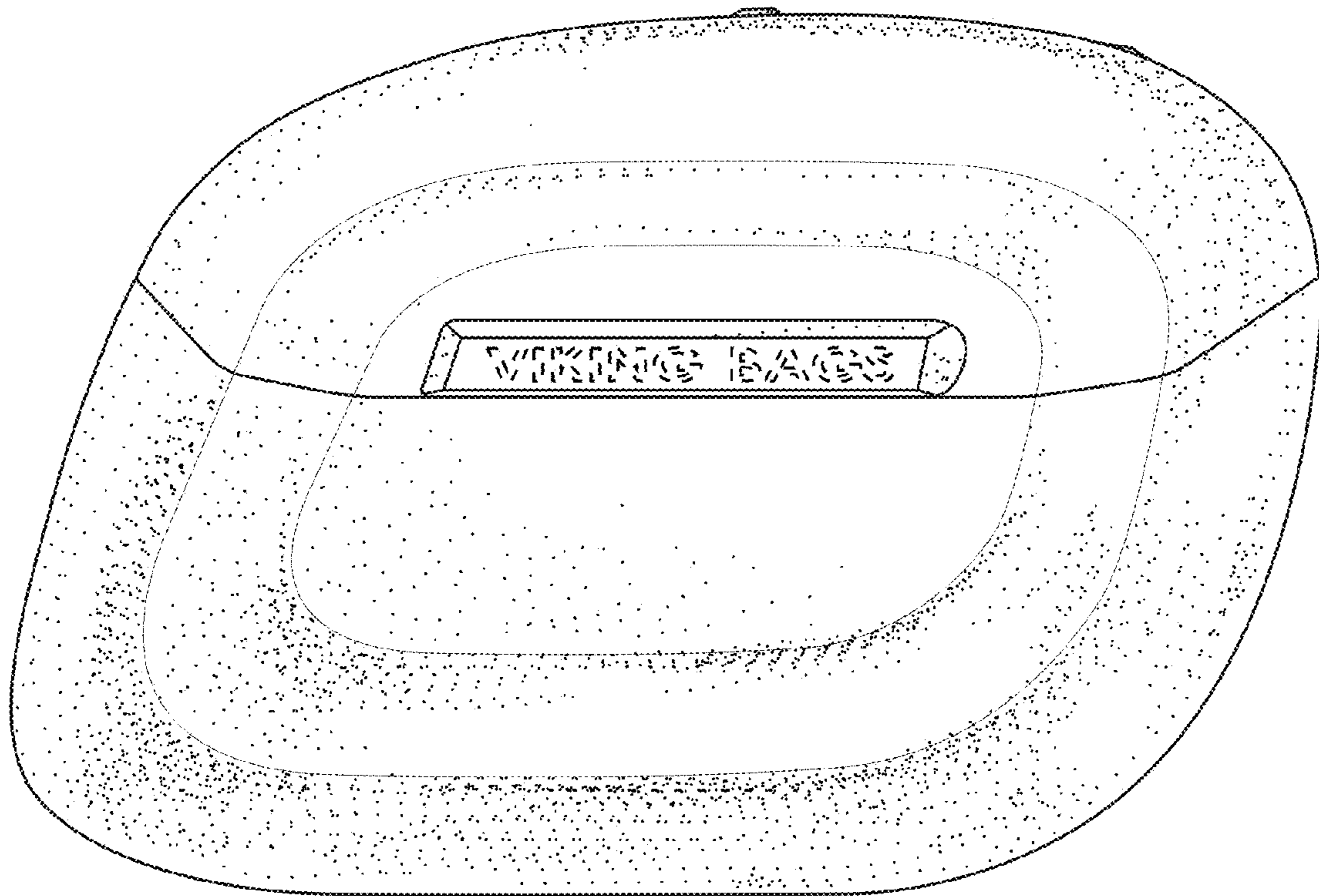


FIG. 2

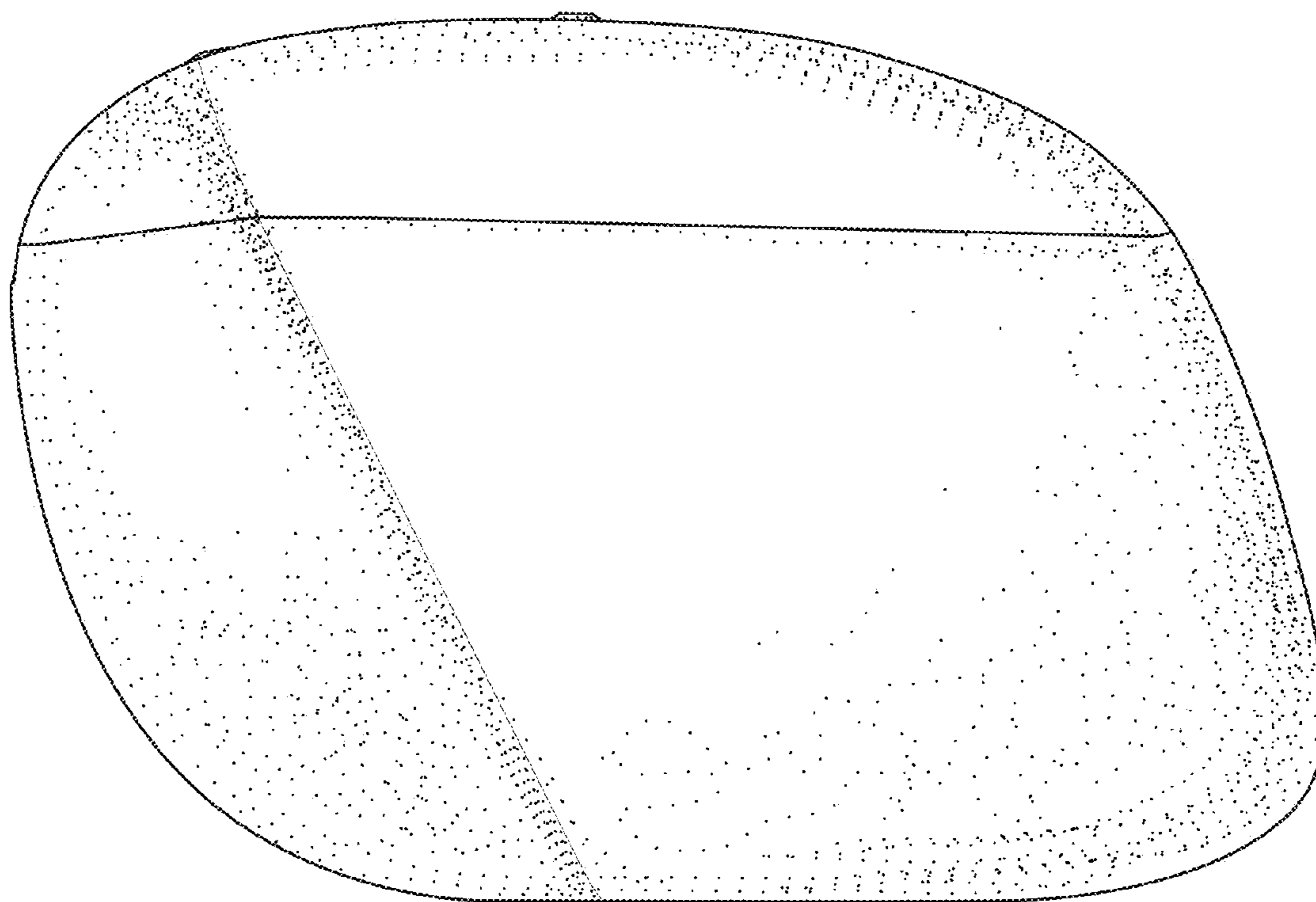


FIG. 3

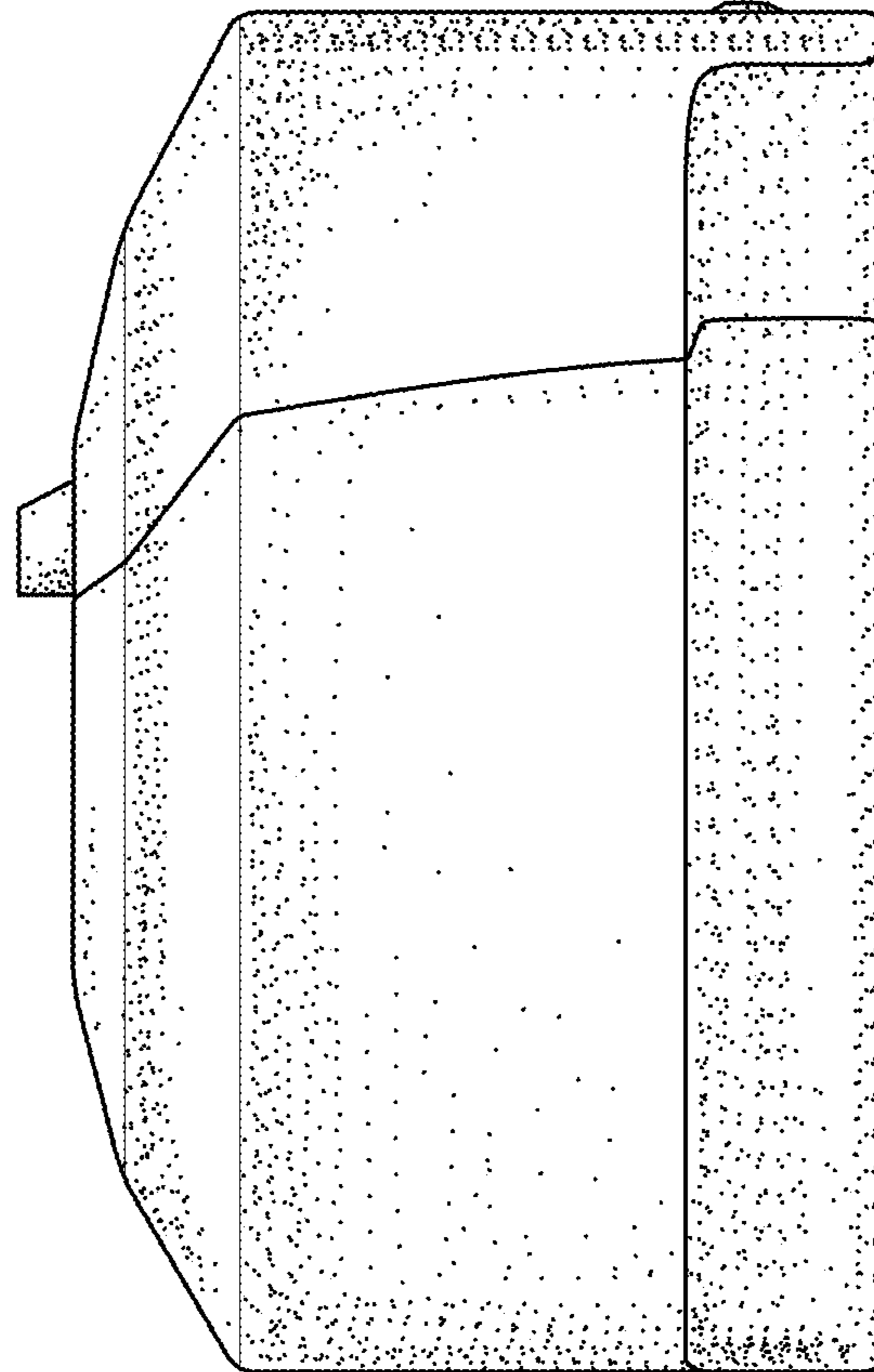


FIG. 4

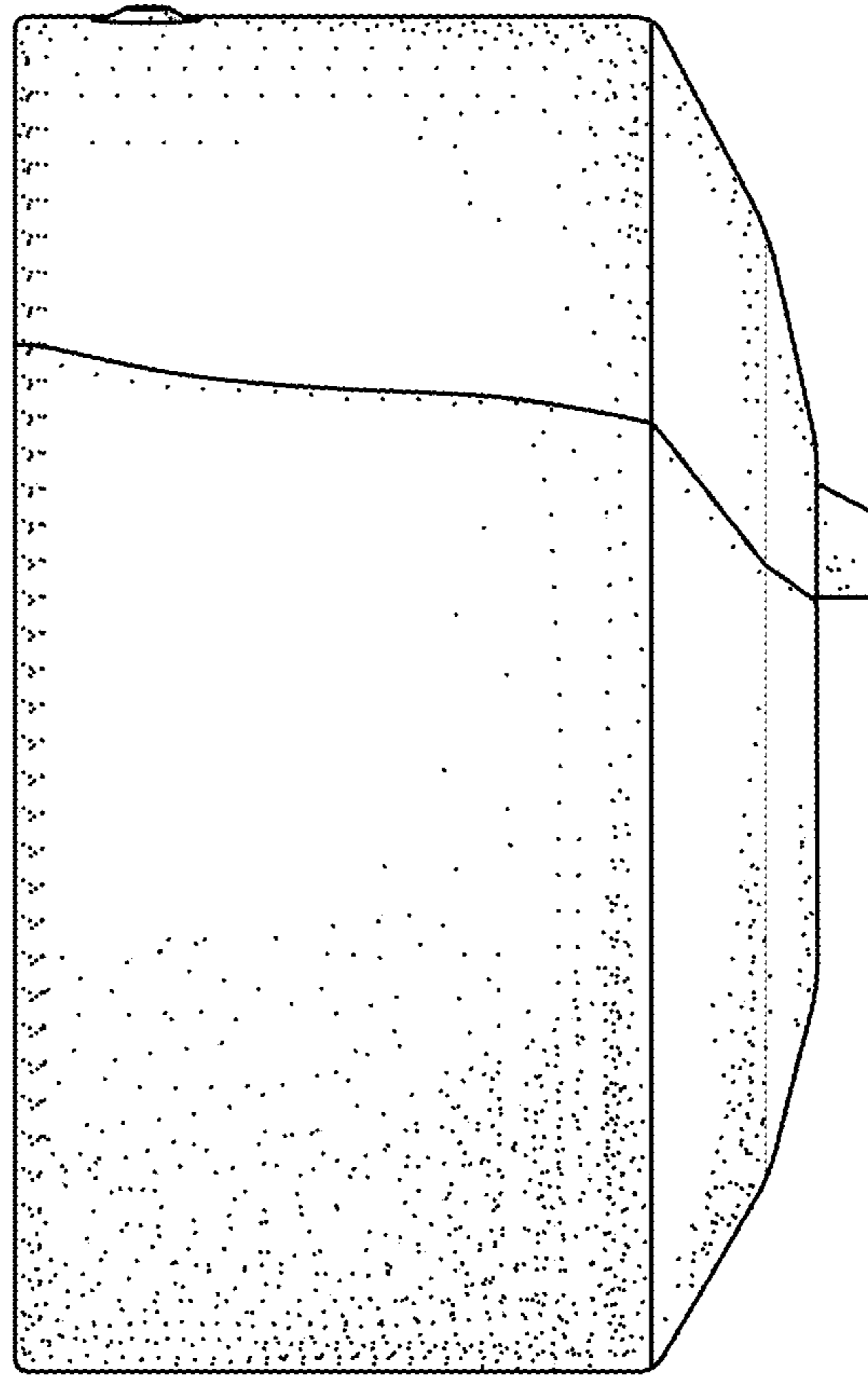


FIG. 5

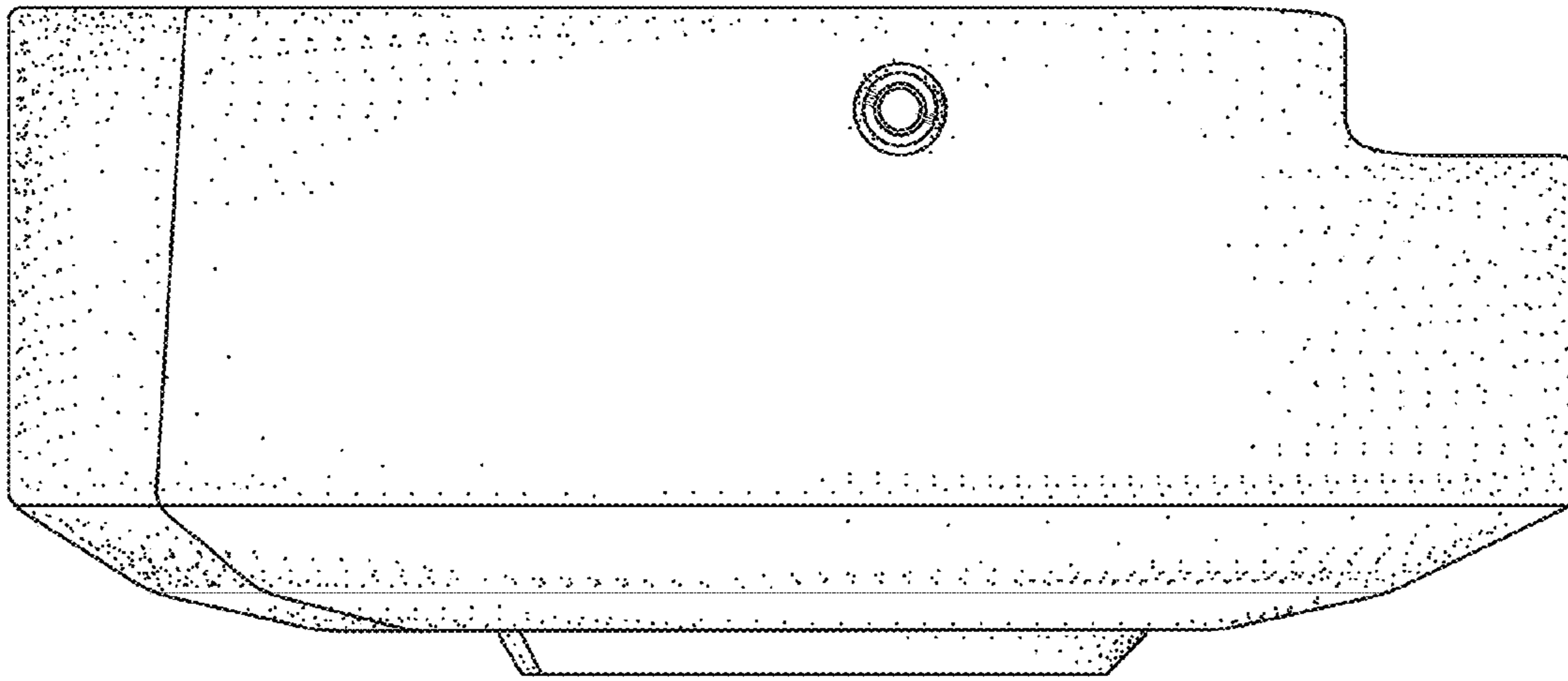


FIG. 6

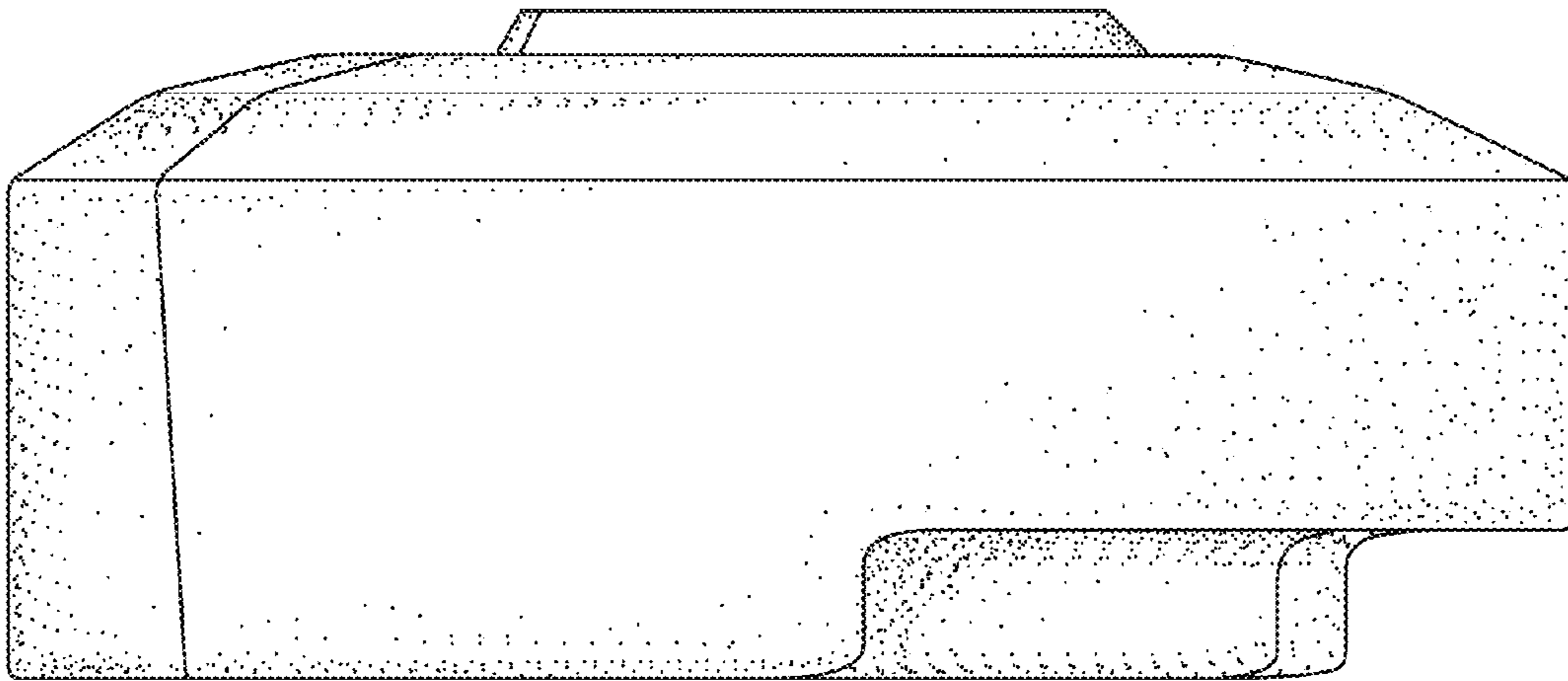


FIG. 7

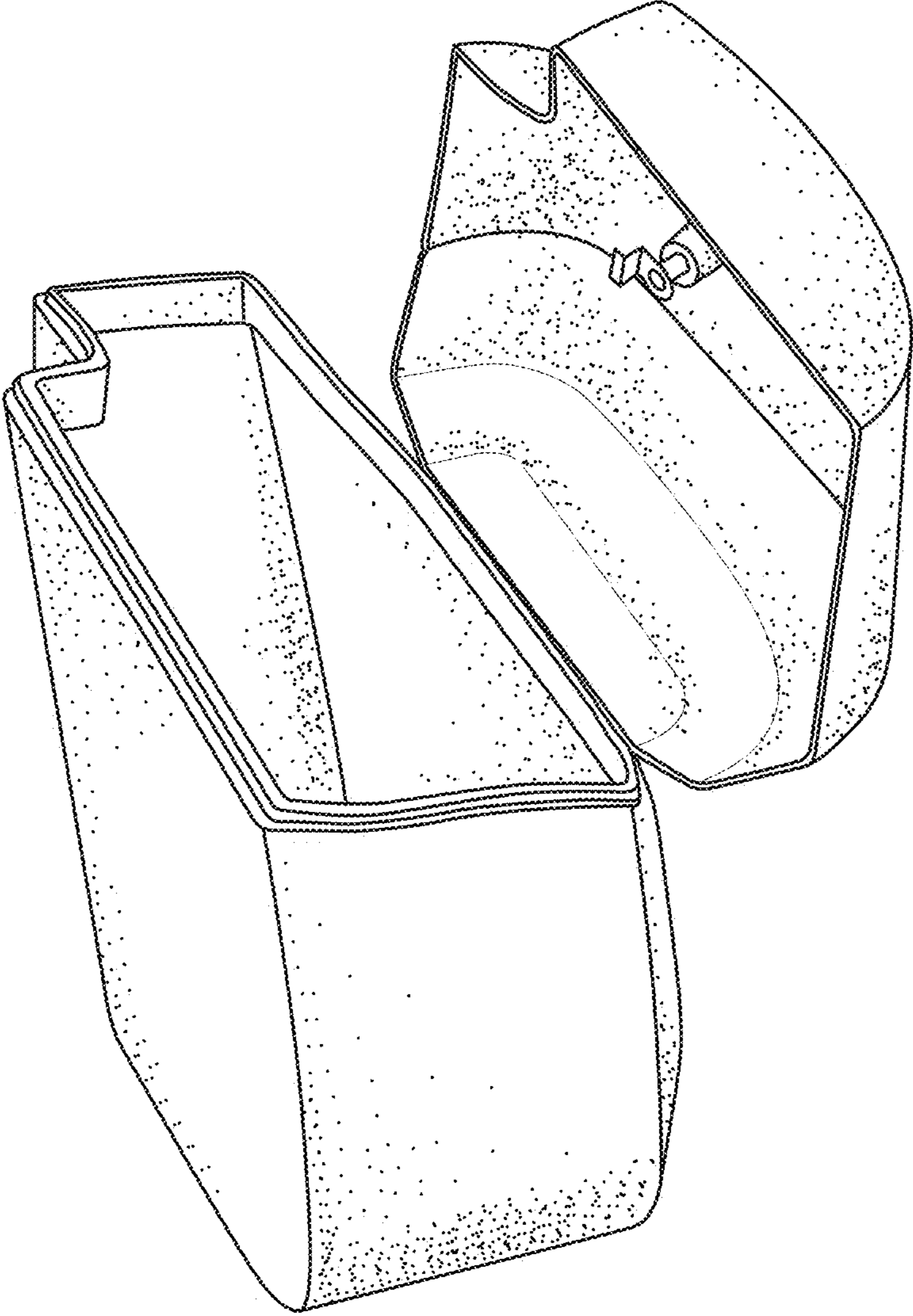


FIG. 8