



US00D743162S

(12) **United States Design Patent**  
**Adams**

(10) **Patent No.:** **US D743,162 S**  
(45) **Date of Patent:** **\*\* Nov. 17, 2015**

- (54) **WALKING CANE BASE**
- (71) Applicant: **Michael E. Adams**, Oak Lawn, IL (US)
- (72) Inventor: **Michael E. Adams**, Oak Lawn, IL (US)
- (\*\*) Term: **14 Years**
- (21) Appl. No.: **29/465,522**
- (22) Filed: **Sep. 12, 2013**
- (51) **LOC (10) Cl.** ..... **03-03**
- (52) **U.S. Cl.**  
USPC ..... **D3/10**
- (58) **Field of Classification Search**  
USPC ..... D2/627; D3/5, 7-10, 12-18; D7/672;  
D8/10, 103, 105, 106, 119, 308, 309,  
D8/310, 343, 349, 373, 376; D9/424, 453;  
D10/22; D11/200; D18/15; D22/117;  
D25/31, 56, 61; 135/77, 82  
CPC ..... A45B 9/00; A45B 9/04; A45B 9/06;  
Y10S 24/00  
See application file for complete search history.

D587,894 S *	3/2009	Wainwright	.....	D3/10
7,610,926 B2	11/2009	Adams		
D618,091 S *	6/2010	Bizzell	.....	D9/424
D624,117 S *	9/2010	Voss et al.	.....	D18/15
D627,150 S *	11/2010	Chao	.....	D3/17
D632,476 S *	2/2011	Owens et al.	.....	D3/17
D668,447 S *	10/2012	Lai	.....	D3/17
D670,077 S *	11/2012	Jiang	.....	D3/17
D683,196 S *	5/2013	Natkiel	.....	D7/672
2004/0107982 A1	6/2004	Morris		
2011/0259381 A1*	10/2011	Adams	.....	135/82
2014/0373887 A1*	12/2014	Gray et al.	.....	135/77

\* cited by examiner

*Primary Examiner* — Sheryl Lane  
*Assistant Examiner* — Catherine Posthauer  
(74) *Attorney, Agent, or Firm* — Carrie Stroup

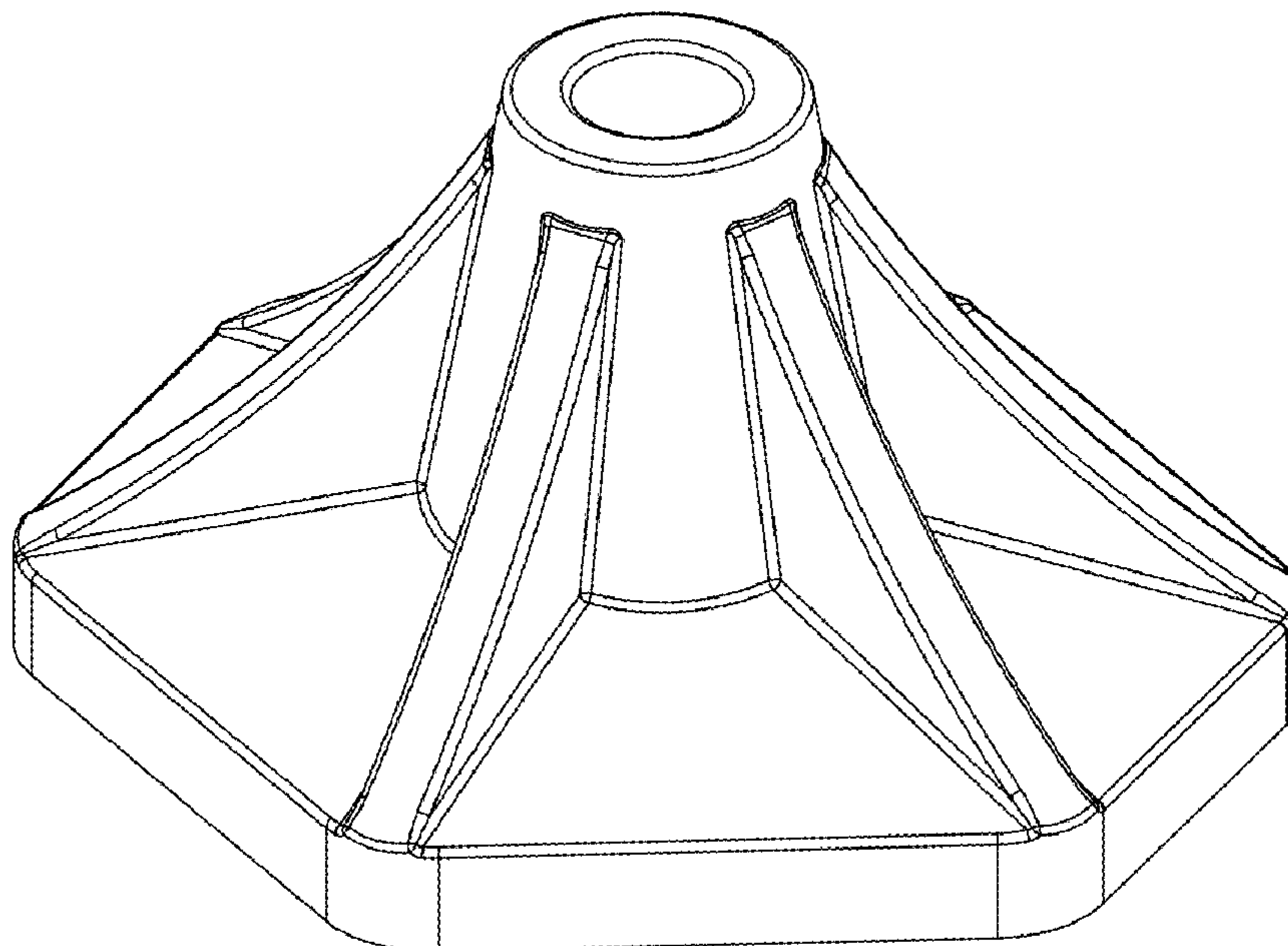
(57) **CLAIM**  
The ornamental design for a walking cane base, as shown and described.

**DESCRIPTION**

FIG. 1 is a top perspective view of a walking cane base showing my new design;  
FIG. 2 is a side view thereof, the opposite side being a mirror image thereof;  
FIG. 3 is front elevation view thereof, the back elevation view being a mirror image thereof;  
FIG. 4 is a top plan view thereof; and,  
FIG. 5 is a bottom plan view thereof.  
The broken lines represent portions of the article and form no part of the claimed design.

**1 Claim, 5 Drawing Sheets**

- (56) **References Cited**  
U.S. PATENT DOCUMENTS
- |              |         |                   |       |        |
|--------------|---------|-------------------|-------|--------|
| D246,691 S * | 12/1977 | Takahashi         | ..... | D8/310 |
| D279,457 S * | 7/1985  | Murphy            | ..... | D10/22 |
| D288,052 S * | 2/1987  | Daenen et al.     | ..... | D7/672 |
| D305,702 S * | 1/1990  | Taliani et al.    | ..... | D3/10  |
| D506,380 S * | 6/2005  | Chu               | ..... | D8/349 |
| D525,519 S * | 7/2006  | Van Handel et al. | ..... | D8/343 |
| D570,094 S * | 6/2008  | Wainwright        | ..... | D3/17  |
| D576,402 S * | 9/2008  | White             | ..... | D3/17  |
| D587,003 S * | 2/2009  | Shinohara         | ..... | D3/17  |



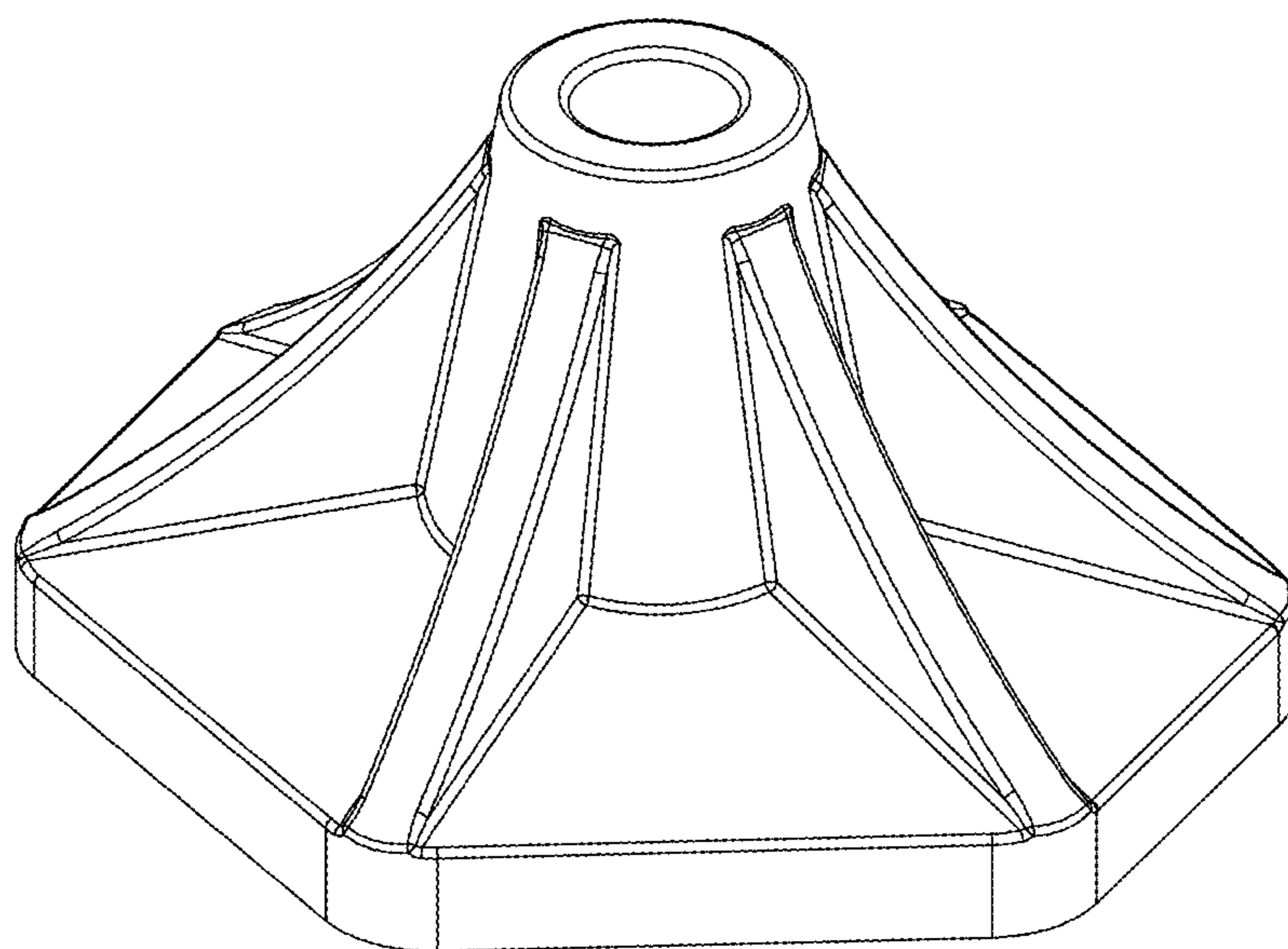


FIG. 1

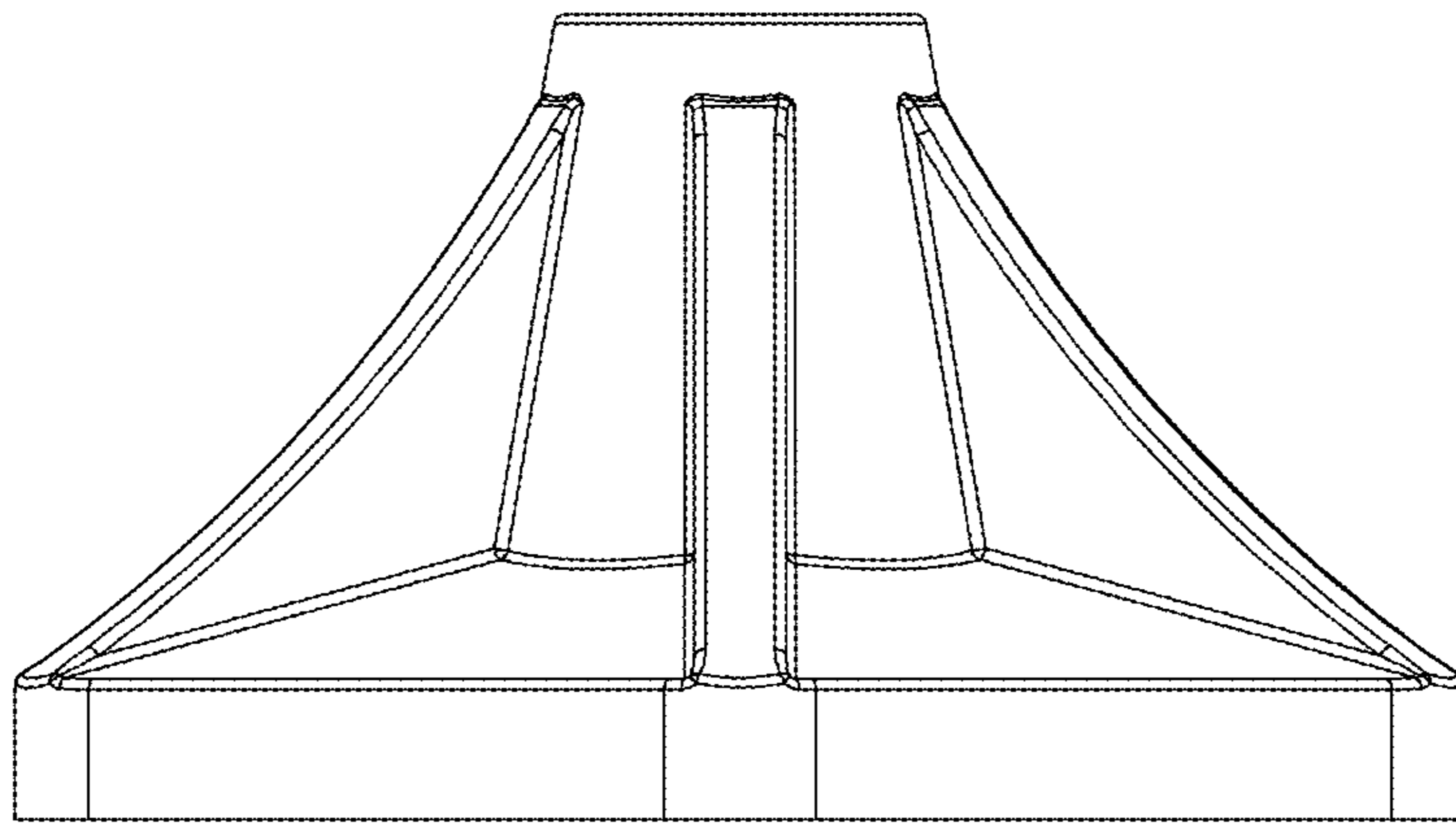


FIG. 2

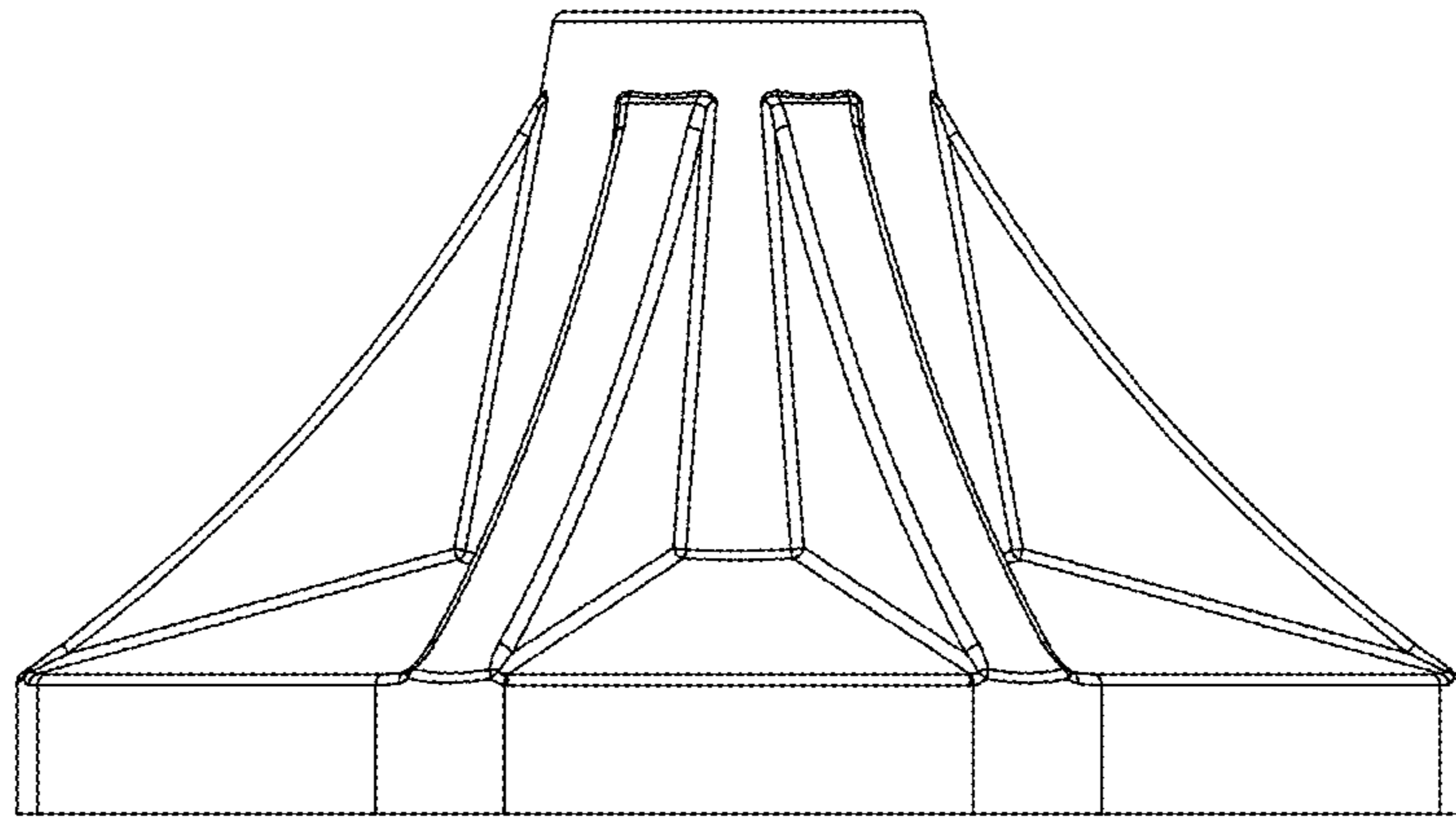


FIG. 3

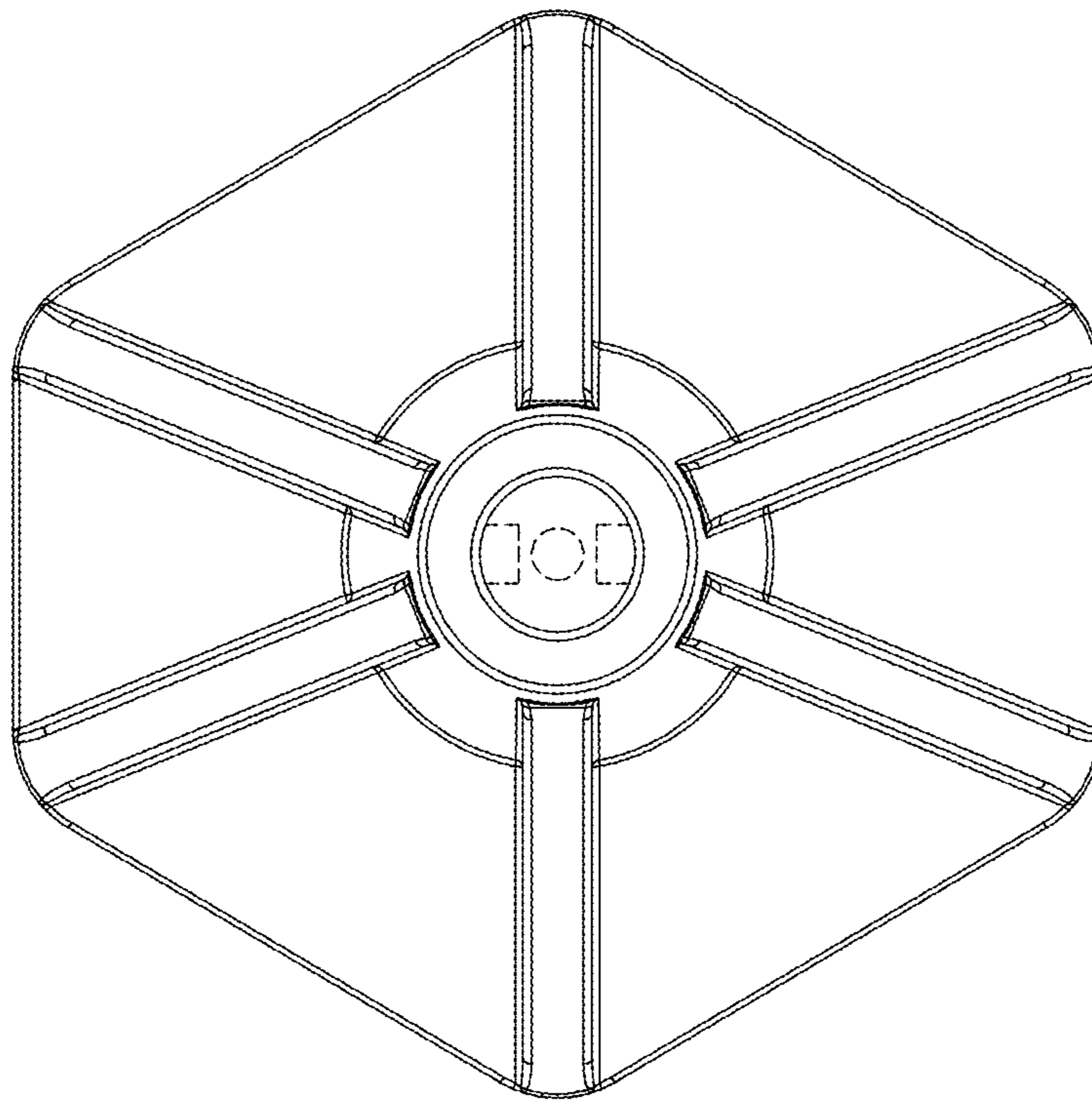


FIG. 4

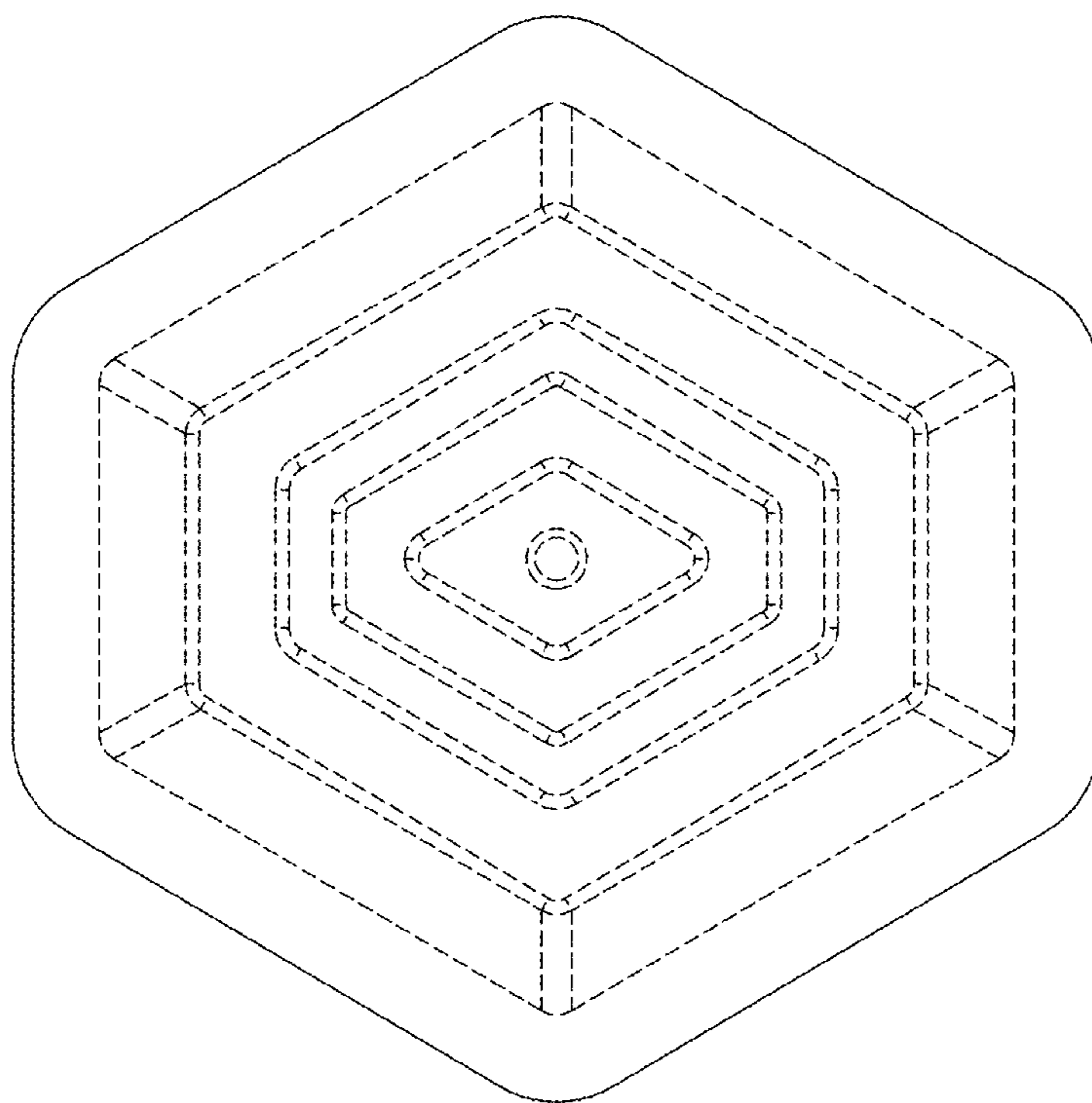


FIG. 5