



US00D743161S

(12) **United States Design Patent**
Gang

(10) **Patent No.:** **US D743,161 S**

(45) **Date of Patent:** **** Nov. 17, 2015**

(54) **BULLET HANDLE SWORD CANE**
(71) Applicant: **UNITED CUTLERY CORPORATION**, Moultrie, GA (US)
(72) Inventor: **Gu Zhi Gang**, NanJing (CN)
(73) Assignee: **United Cutlery Corporation**, Moultrie, GA (US)

Primary Examiner — Eric Goodman
Assistant Examiner — Luqman McNeil
(74) *Attorney, Agent, or Firm* — John S. Hale; Gipple & Hale

(**) Term: **14 Years**

(57) **CLAIM**

The ornamental design for a bullet handle sword cane, as shown and described.

(21) Appl. No.: **29/474,165**

(22) Filed: **Jun. 27, 2014**

(51) **LOC (10) Cl.** **03-03**

(52) **U.S. Cl.**
USPC **D3/8**

(58) **Field of Classification Search**
USPC D3/8, 7, 17, 211; D8/100, 103; D27/196; D21/568; D26/38; D9/689; D22/116, 118; D19/154; D25/126; 362/102; 102/517, 513, 439, 514, 430; 401/85; 135/66, 75
CPC F42B 12/06; F42B 12/38; F42B 7/10; F42B 12/78; F42B 5/02; A45B 3/04; A45B 3/00; A45B 9/04; B43K 12/08
See application file for complete search history.

DESCRIPTION

FIG. 1 is a side elevational view of the bullet handle sword cane showing my new design;
FIG. 2 is an opposite side elevational view of the bullet sword cane of FIG. 1;
FIG. 3 is a front elevational view of the bullet handle sword cane of FIG. 1;
FIG. 4 is an enlarged partial front elevational view of the encircled area of FIG. 3;
FIG. 5 is a rear elevational view of the bullet handle sword cane of FIG. 1;
FIG. 6 is an enlarged top plan view of the bullet handle sword cane of FIG. 1;
FIG. 7 is an enlarged bottom plan view of the bullet sword cane of FIG. 1;
FIG. 8 is an exploded view of the sword and the handle of the bullet handle sword cane;
FIG. 9 is an enlarged partial side view of the upper encircled area of FIG. 8;
FIG. 10 is an enlarged partial side elevational view of the lower encircled area of FIG. 8; and,
FIG. 11 is an enlarged front elevational view of the sword and handle shown in FIG. 8 of the bullet handle sword cane.
The broken line showing is included for the purpose of illustrating portions of the bullet handle sword cane and forms no part of the claimed design.

(56) **References Cited**

U.S. PATENT DOCUMENTS

43,835 A * 8/1864 Converse 102/517
71,460 A * 11/1867 Crossley 362/102

(Continued)

FOREIGN PATENT DOCUMENTS

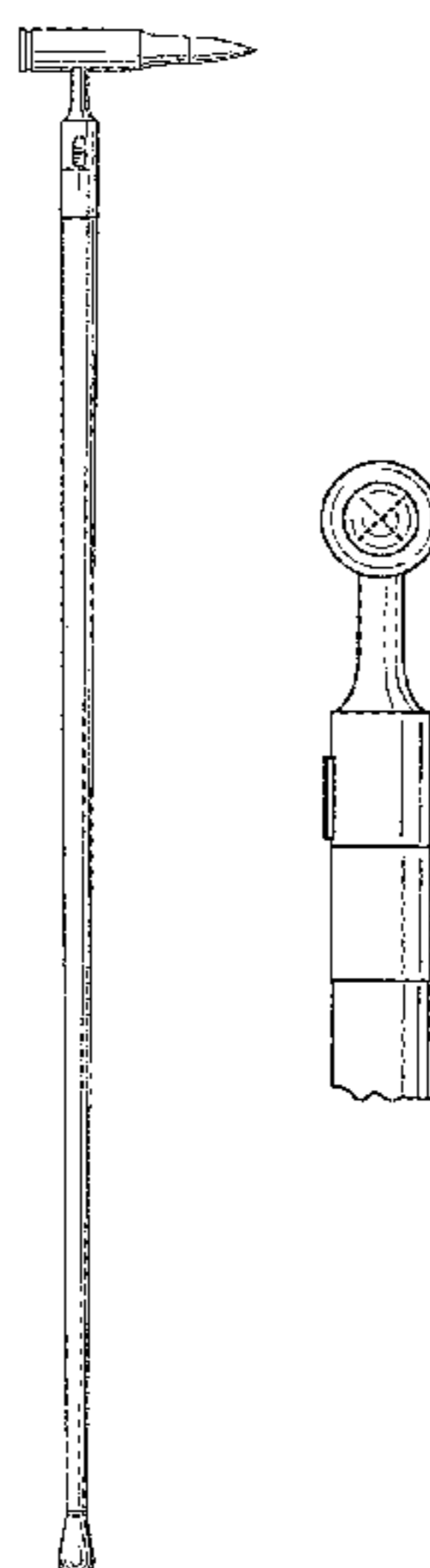
CN 3116628 * 7/1999
CN 301219410 * 5/2010
JP D1449967 * 9/2012

OTHER PUBLICATIONS

Offering a Unique .50 Cal Walking Cane Made from .50 Cal Bullets; Announced Nov. 10, 2011, [Site Visited Jun. 4, 2015] <http://yhst-5672966975550.stores.yahoo.net/1919a4partset.html>.*

(Continued)

1 Claim, 4 Drawing Sheets



(56)

References Cited

U.S. PATENT DOCUMENTS

D31,173 S * 7/1899 Lindsley D8/100
 948,124 A * 2/1910 Arends 401/85
 D65,667 S * 9/1924 Pajeau D3/7
 D112,174 S * 11/1938 Levine D3/17
 D125,279 S * 2/1941 Levine D3/17
 2,683,416 A * 7/1954 Keller et al. 102/513
 4,351,348 A * 9/1982 Axton 135/66
 D270,953 S * 10/1983 Langtry D27/196
 4,829,906 A * 5/1989 Kaswer 102/514
 D342,766 S * 12/1993 Lou D21/568
 D353,011 S * 11/1994 Miller D26/38
 D368,425 S * 4/1996 Newell D9/689
 5,588,735 A * 12/1996 Harada 362/102
 D389,221 S * 1/1998 Borg D22/116
 D407,212 S * 3/1999 Molaro D3/211
 6,209,459 B1 * 4/2001 Kaufman et al. 102/439
 D441,950 S * 5/2001 Suen D3/7
 D444,171 S * 6/2001 McCullough D19/154
 D452,546 S * 12/2001 Barker, II D22/118
 D459,008 S * 6/2002 Erwin D25/126
 6,516,821 B1 * 2/2003 Uemura 135/75
 D473,707 S * 4/2003 Lee D3/7
 6,675,717 B2 * 1/2004 Jamison 102/430
 D491,222 S * 6/2004 Derman D19/154
 D502,528 S * 3/2005 Rae D22/118

D515,173 S * 2/2006 Farrell, III D22/118
 D533,044 S * 12/2006 Buening D8/103
 D546,167 S * 7/2007 Noethe D8/349
 D546,657 S * 7/2007 Buening D8/103
 D555,350 S * 11/2007 Graves et al. D3/7
 D587,893 S * 3/2009 Hamilton D3/7
 D592,849 S * 5/2009 Creelman D3/7
 D624,303 S * 9/2010 Jones D3/7
 D624,370 S * 9/2010 Motosko D8/7
 D630,761 S * 1/2011 Marshall D24/215
 D644,830 S * 9/2011 Jones D3/7
 D646,713 S * 10/2011 Maiaro et al. D19/154

OTHER PUBLICATIONS

20mm Cal Walking Cane Made From 20 mm Bullet, Announced Aug. 3, 2011, [Site Visited Jun. 4, 2015]<http://yhst-5672966975550.stores.yahoo.net/mpexformpbo.html>.*

Cold Street Heavy Duty Sword Cane (Problem)—Blade Forums, Announced Jan. 16, 2010, [Site Visited Jun. 4, 2015] [http://www.bladeforums.com/forums/showthread.php/707650-Cold-Steel-Heavy-Duty-Sword-Cane-\(problem\)](http://www.bladeforums.com/forums/showthread.php/707650-Cold-Steel-Heavy-Duty-Sword-Cane-(problem)).*

Bullet Handle Folding Pocket Knife Stainless Steel Blade, Announced Mar. 1, 2003, [Site Visited Jun. 4, 2015] <http://www.realswordmaster.com/12-pcs-set-bullet-handle-folding-pocket-knife-stainless-steel-blade-gold/>.*

* cited by examiner

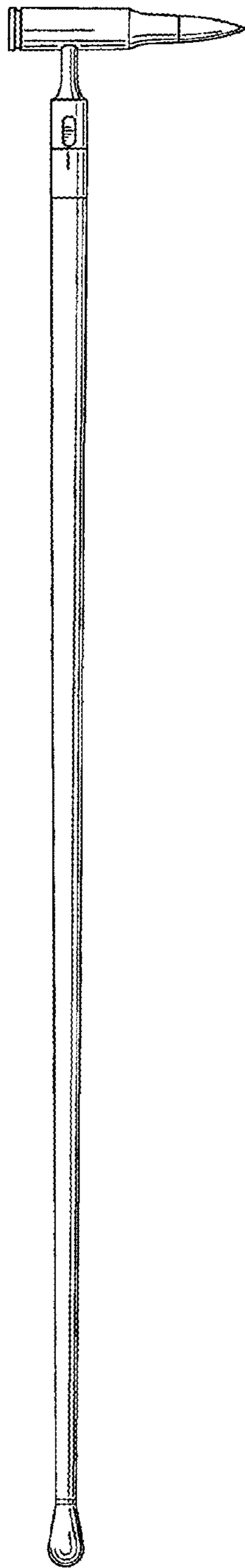


FIG. 1

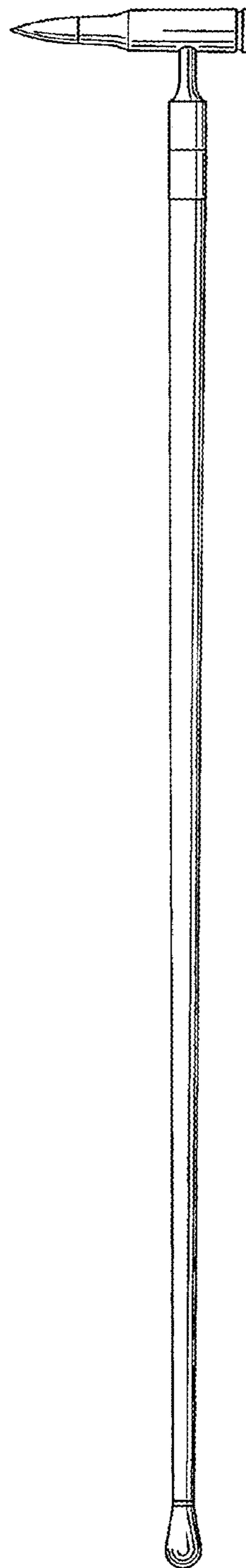
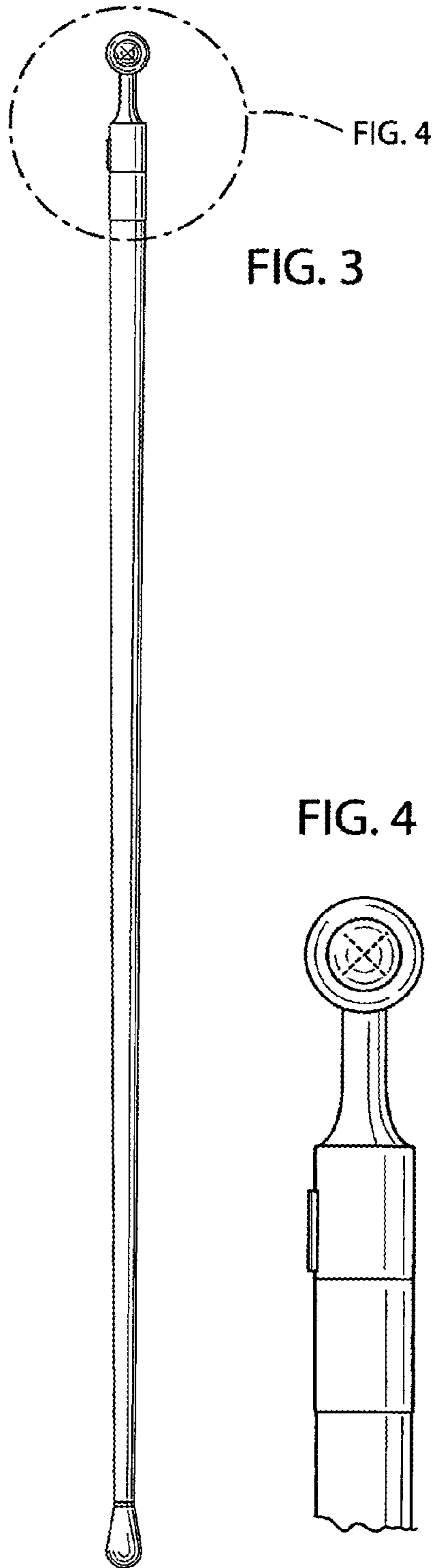


FIG. 2



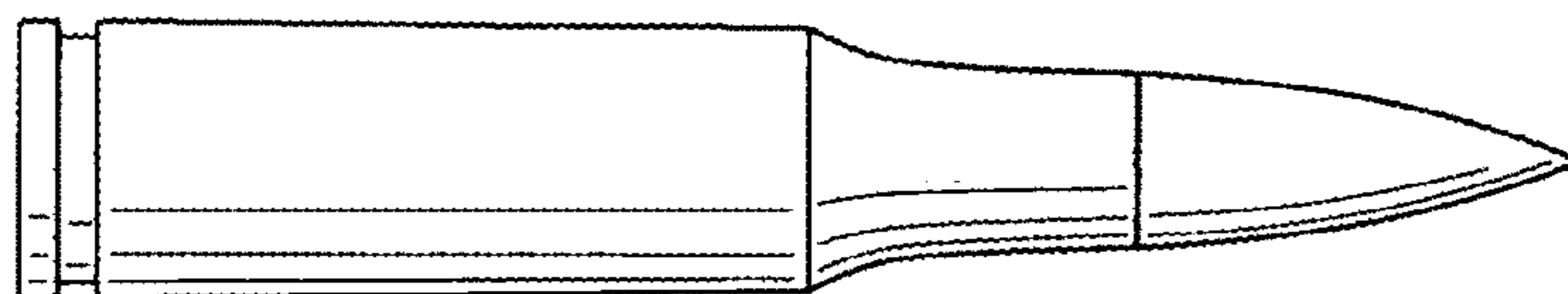


FIG. 6

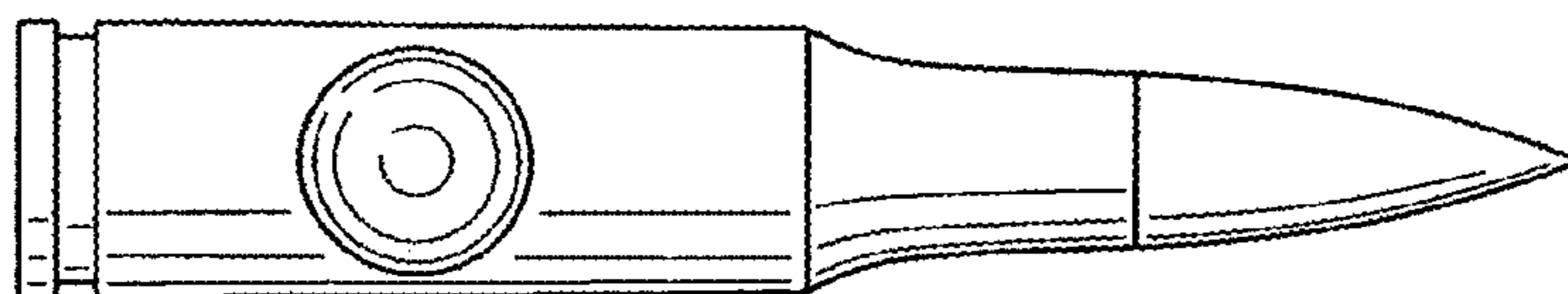


FIG. 7

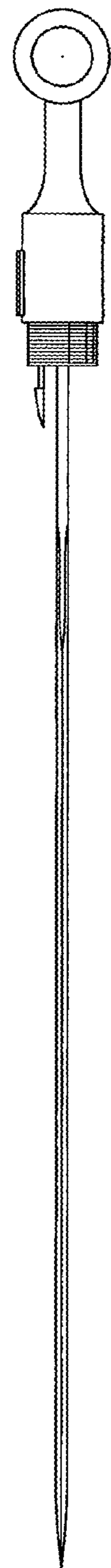
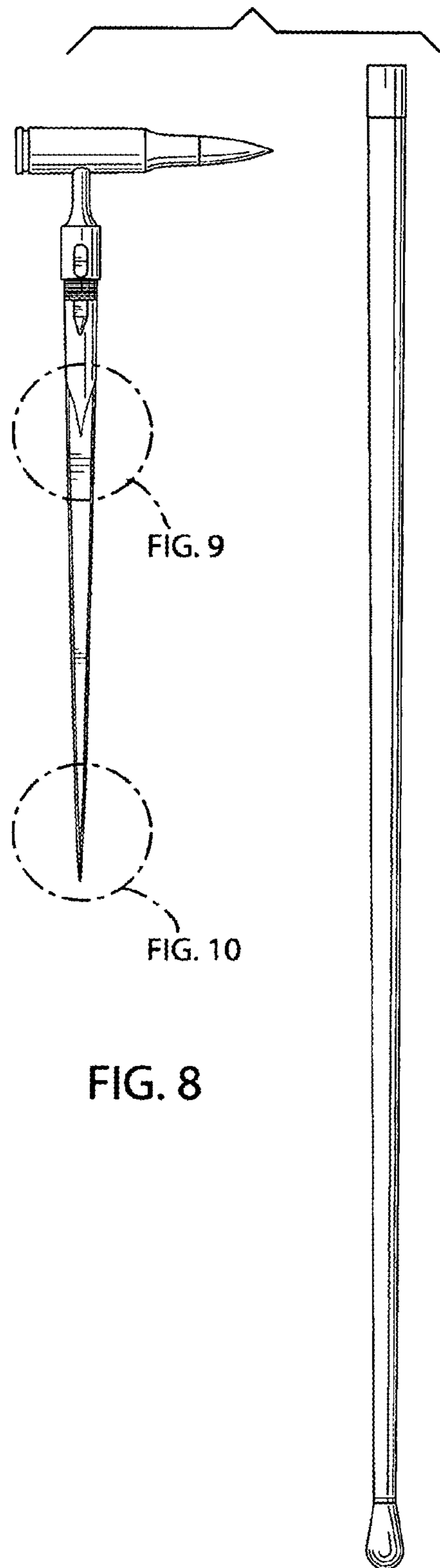


FIG. 11

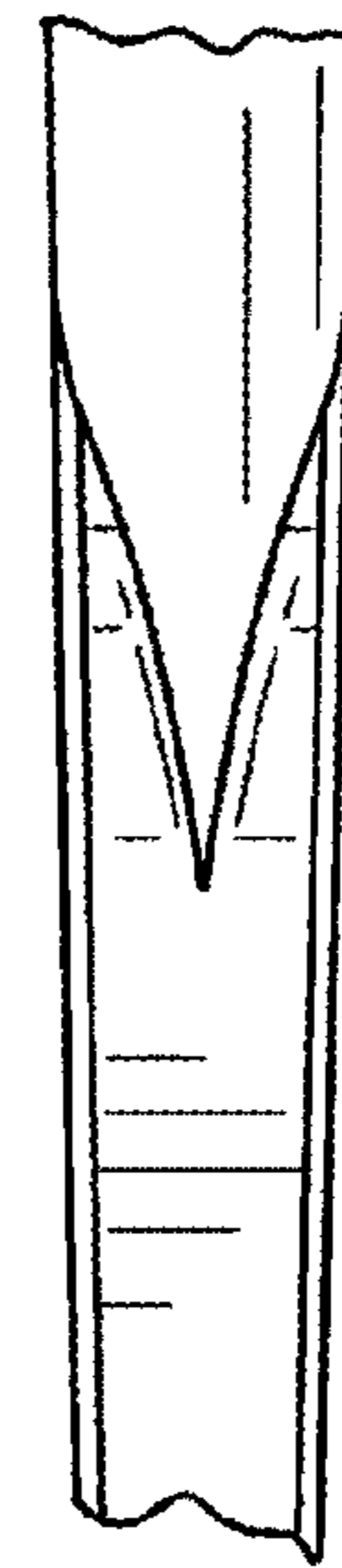


FIG. 9



FIG. 10