



US00D743146S

(12) **United States Design Patent**  
**Yerby**

(10) **Patent No.:** **US D743,146 S**

(45) **Date of Patent:** **\*\* Nov. 17, 2015**

(54) **SHIRT PEN POCKET**

(71) Applicant: **5.11, Inc.**, Modesto, CA (US)

(72) Inventor: **Tiffany Yerby**, Huntington Beach, CA (US)

(73) Assignee: **5.11, Inc.**, Modesto, CA (US)

(\*\*) Term: **14 Years**

(21) Appl. No.: **29/486,683**

(22) Filed: **Apr. 1, 2014**

(51) **LOC (10) Cl.** ..... **02-02**

(52) **U.S. Cl.**  
USPC ..... **D2/857**

(58) **Field of Classification Search**  
USPC ..... D2/857, 717, 840  
See application file for complete search history.

(56) **References Cited**

**U.S. PATENT DOCUMENTS**

145,178	A *	12/1873	Hopkins	.....	2/252
451,197	A *	4/1891	Robare	.....	2/252
1,042,314	A *	10/1912	Brion	.....	2/252
2,359,012	A *	9/1944	Sophier	.....	2/247
3,023,421	A *	3/1962	Farah	.....	2/252
3,193,842	A *	7/1965	Bell	.....	2/94

D377,558	S *	1/1997	Guidi	.....	D2/857
6,760,922	B1 *	7/2004	Morales	.....	2/94
D664,739	S *	8/2012	Gibson	.....	D2/853
D714,522	S *	10/2014	Boyer et al.	.....	D2/717
D727,596	S *	4/2015	Barber	.....	D2/853

**OTHER PUBLICATIONS**

Galls. <http://www.galls.com/galls-tactical-performance-polo#VZE7-vIdWq0>. Jul. 2013. "Galls Tactical Performance Polo".\*

\* cited by examiner

*Primary Examiner* — Rashida Johnson

(74) *Attorney, Agent, or Firm* — Kilpatrick Townsend & Stockton LLP

(57) **CLAIM**

The ornamental design for shirt pen pocket, as shown and described.

**DESCRIPTION**

FIG. 1 is a perspective view of shirt pen pocket showing my new design, with a pen shown in broken lines to show use; FIG. 2 is an enlarged perspective view of the shirt pen pocket; FIG. 3 is a front side elevational view thereof; FIG. 4 is a left side elevational view thereof; and, FIG. 5 is a right side elevational view thereof. The broken lines shown represent unclaimed subject matter and form no part of the claimed design.

**1 Claim, 2 Drawing Sheets**

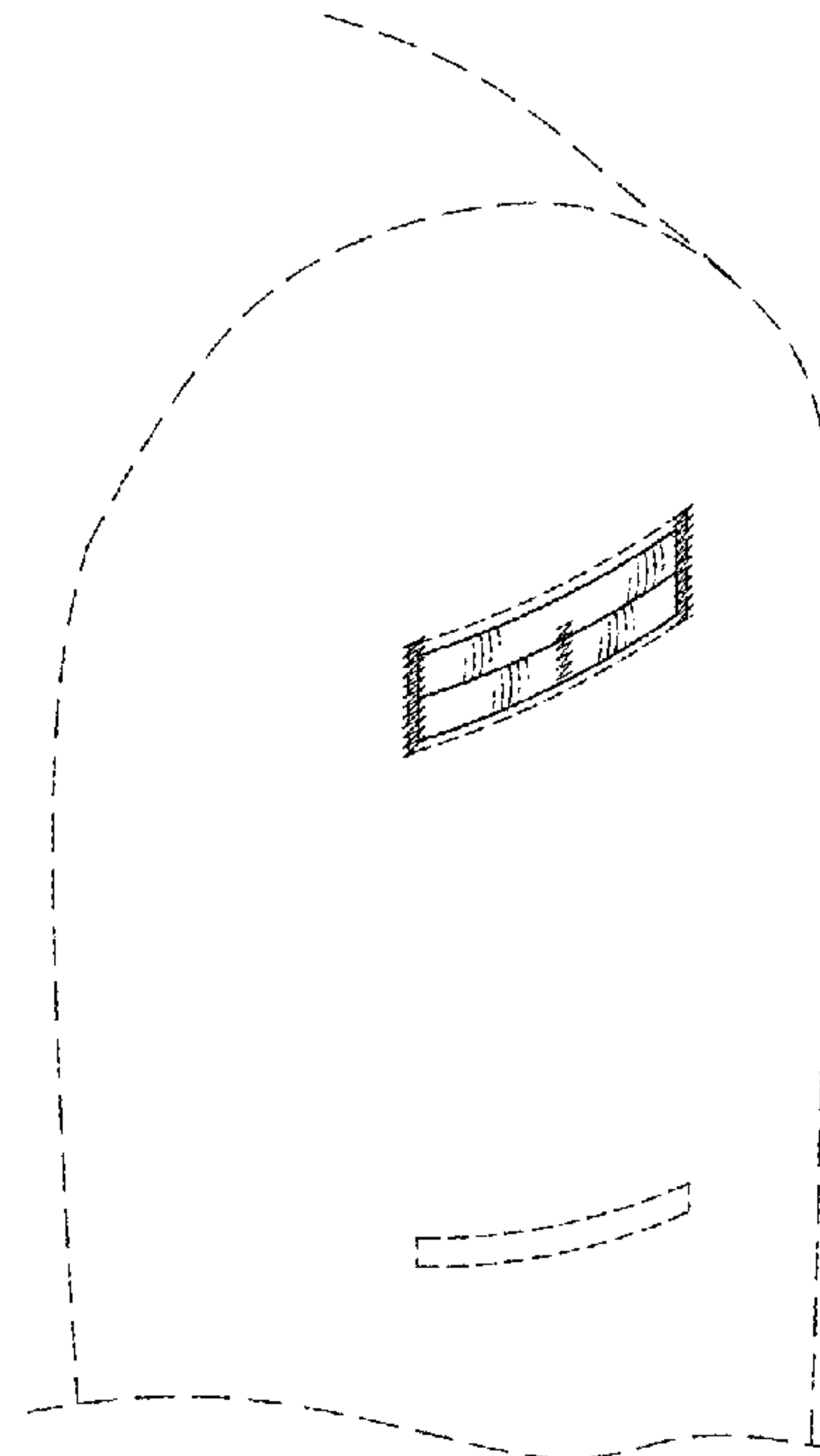
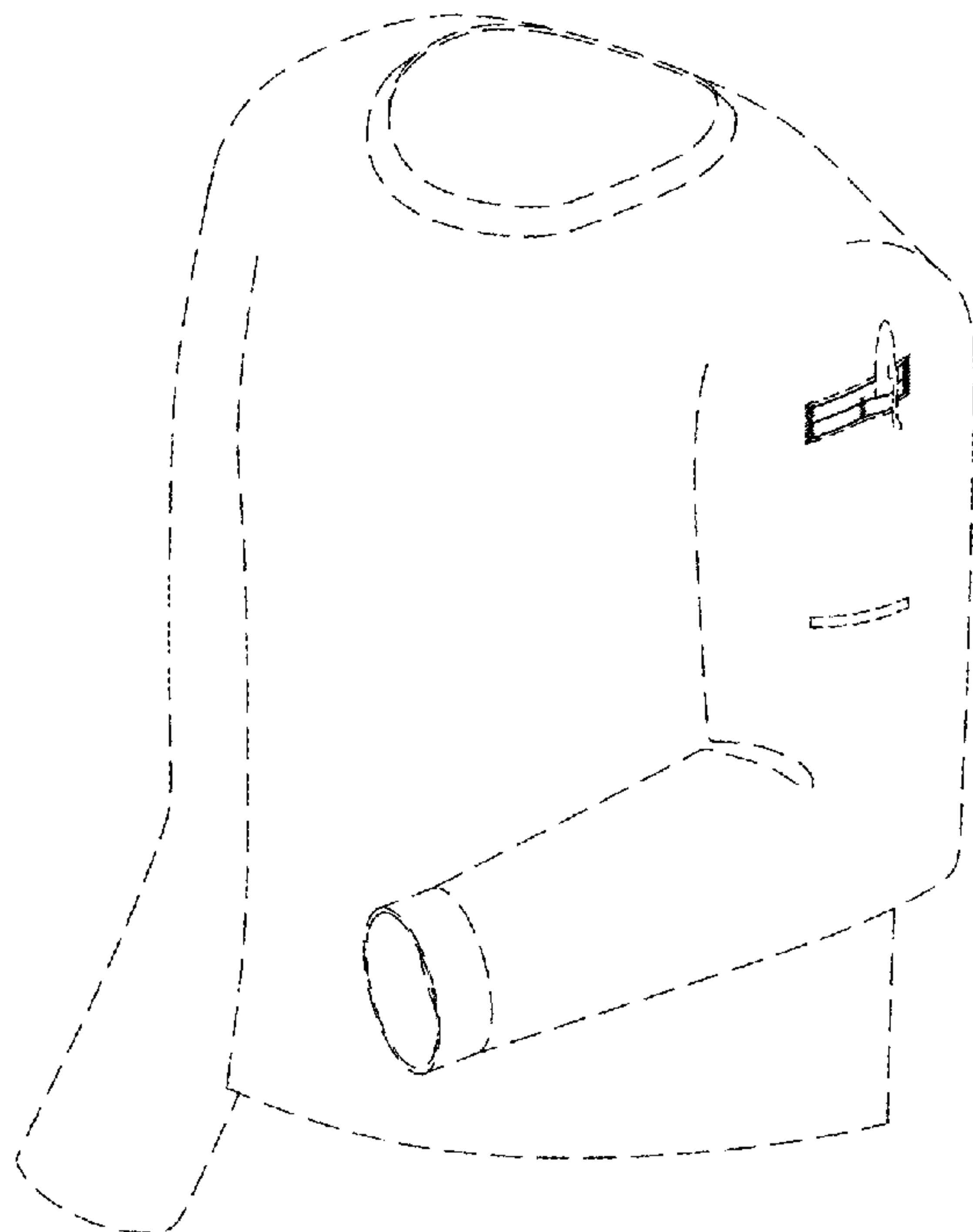


FIG. 1

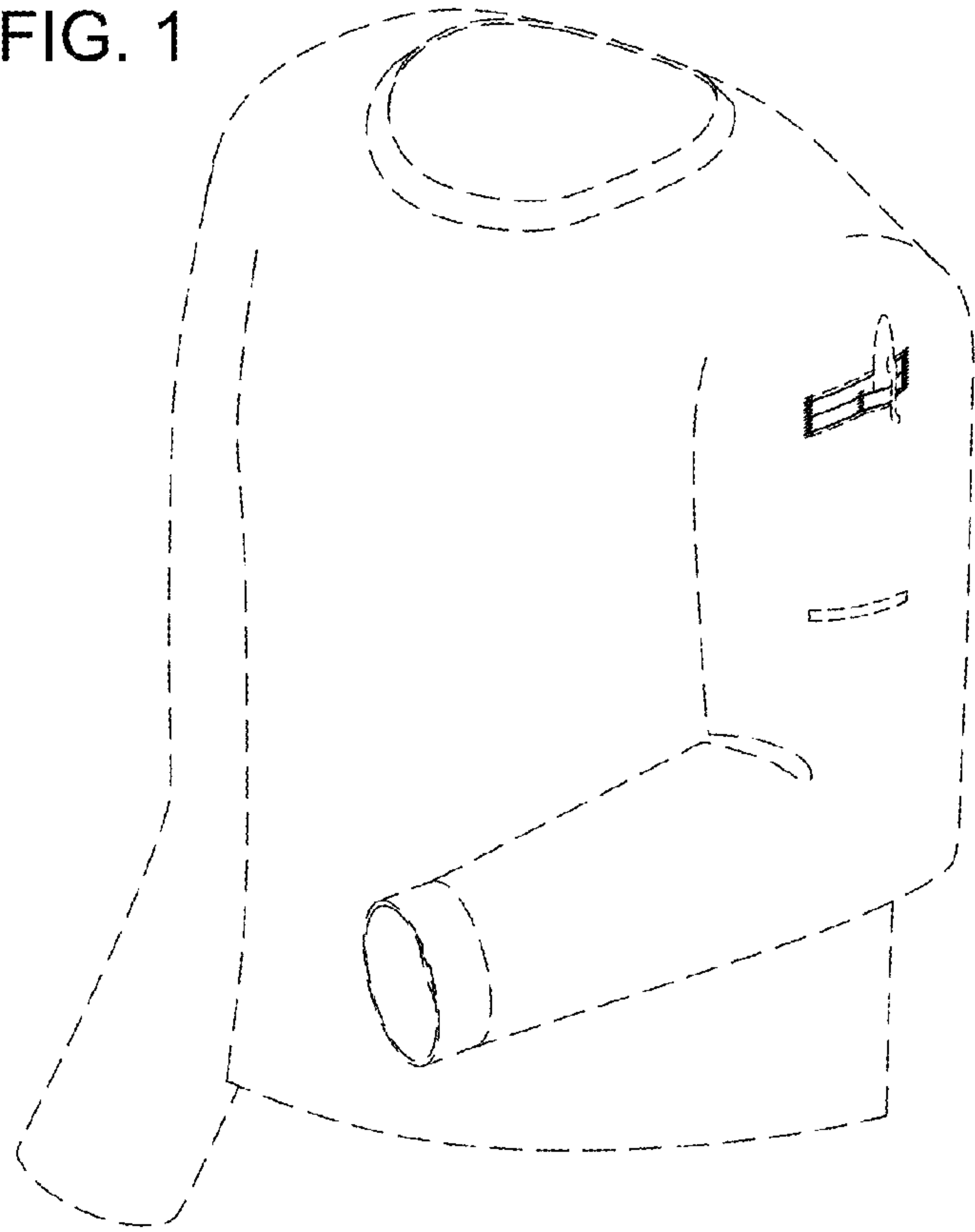


FIG. 2

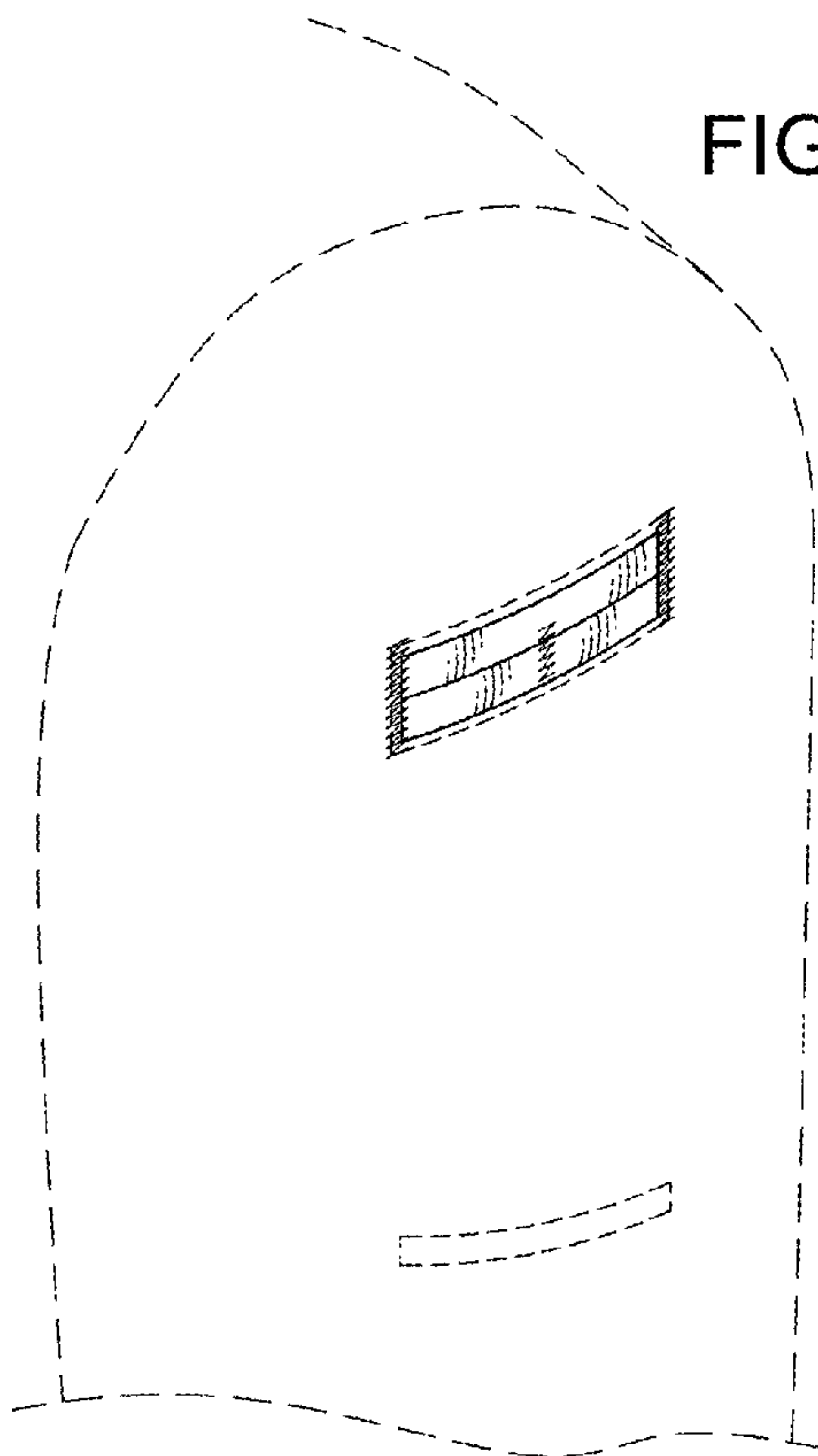
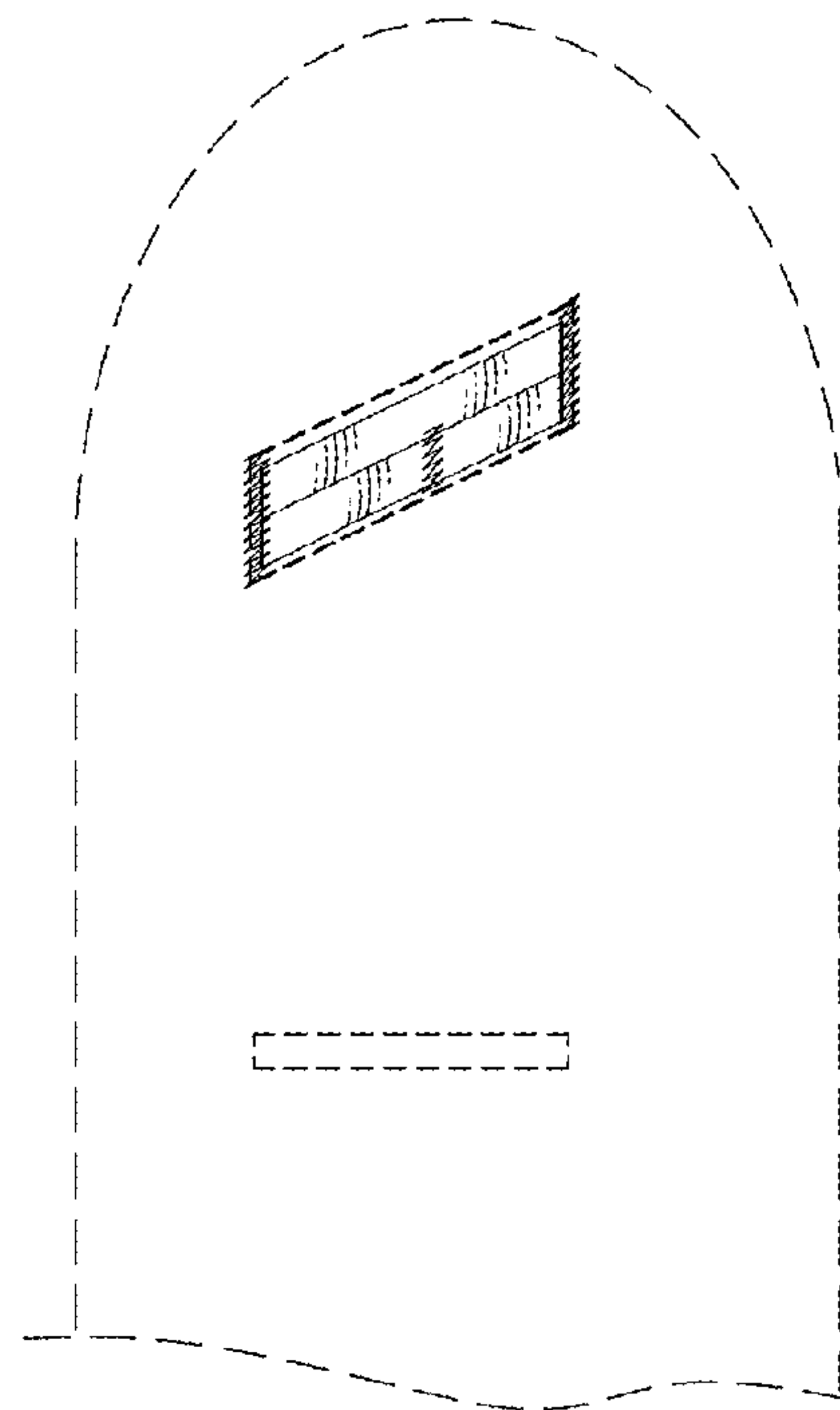


FIG. 3



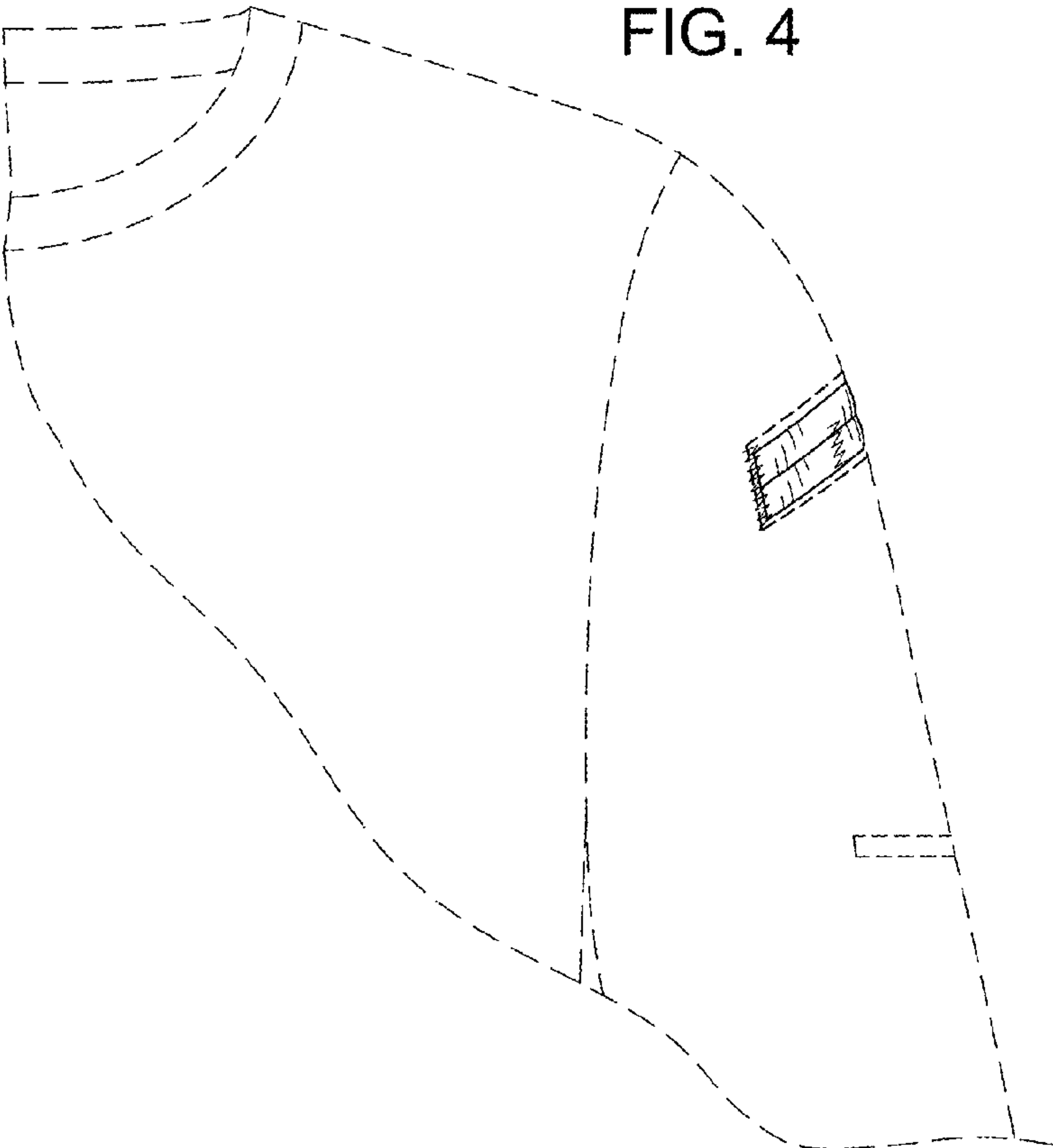


FIG. 4

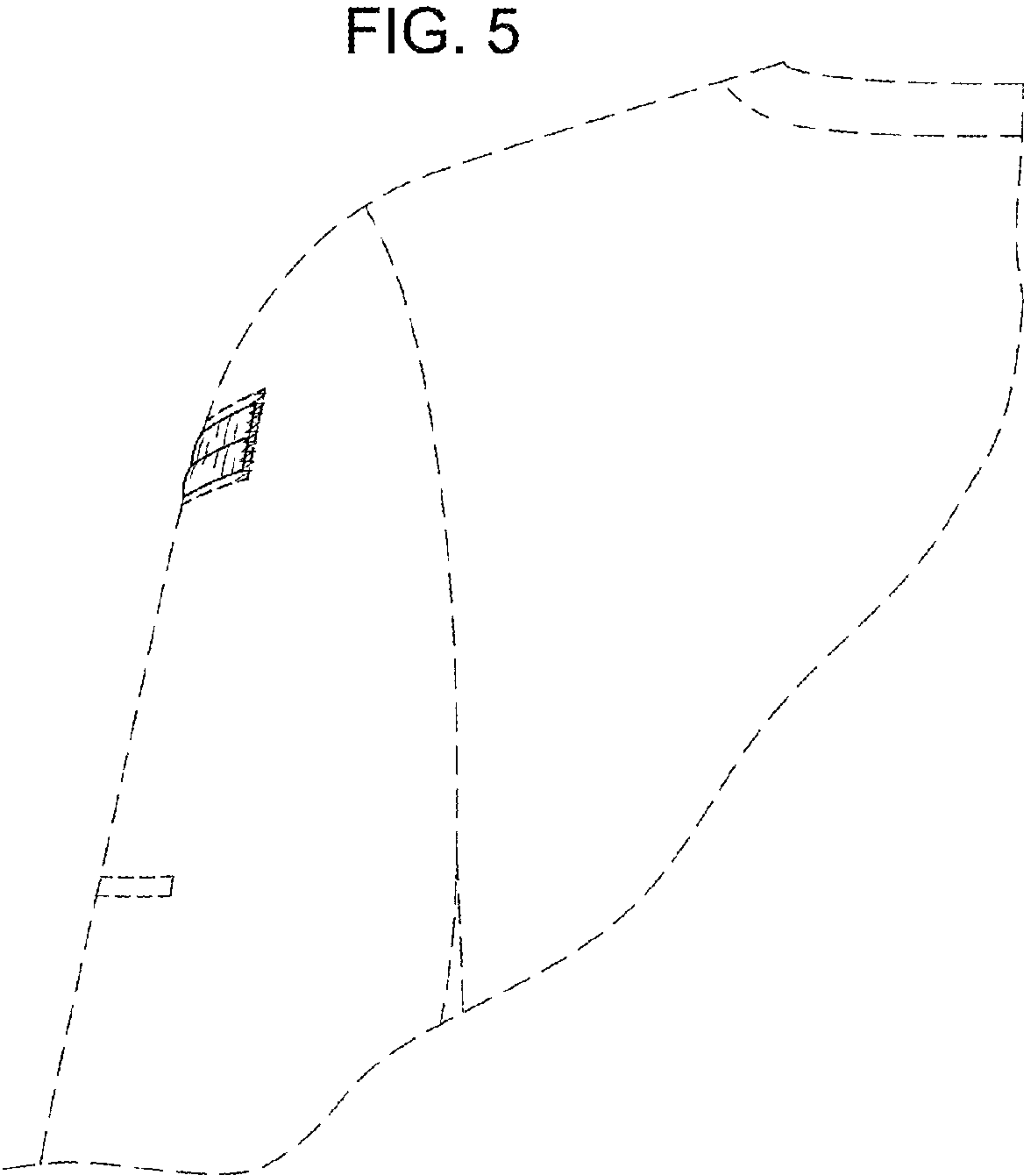


FIG. 5